

GAMA SONIC®

SOLAR LIGHTING



LUXOR SOLAR PATHWAY LIGHT BLACK 2 PK

Part #: 146iP250080

 Please read the instruction manual carefully to obtain the best results from your purchase.

Thank you for your purchase! GAMA SONIC® solar charged lights are brighter and last all night with a typical solar charge. Unique design, superior light output and numerous installation options confirm the outstanding value of our product. GAMA SONIC® has been recognized as a worldwide leader in the lighting industry for over 20 years.

Technical Assistance/Warranty Claims/Replacement Parts
Toll Free Number: +1-800-835-4113 (only within the US) or www.gamasonic.com

Visit our website or download the latest version of your instruction manual:
www.gamasonic.com



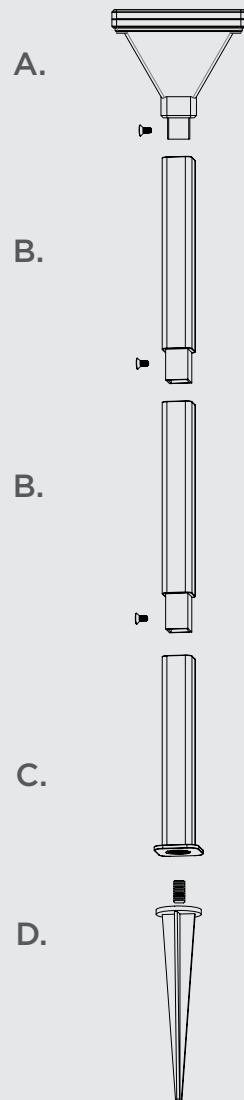
Solar Lamp Location

For optimum light duration throughout the night, it is very important to mount your solar lamp in a spot where it will receive the maximum amount of direct sunlight throughout the day.

For best results, the solar light must be charged in the “ON” (High or Low) position for at least 2 days of full direct sunlight.

What's In The Box:

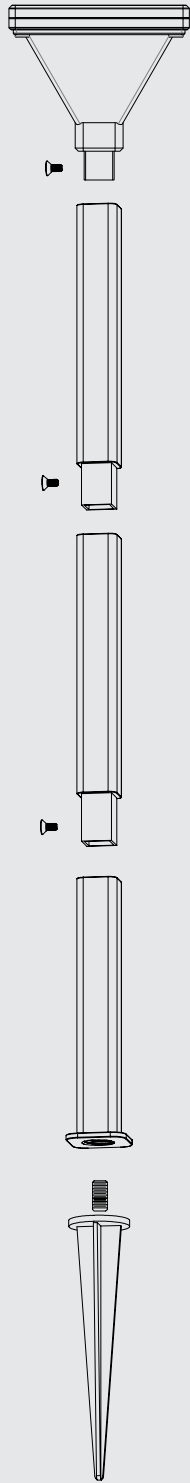
- A = Top
- B = Pole x2
- C = Base Pole
- D = Stake



Assembly Instructions

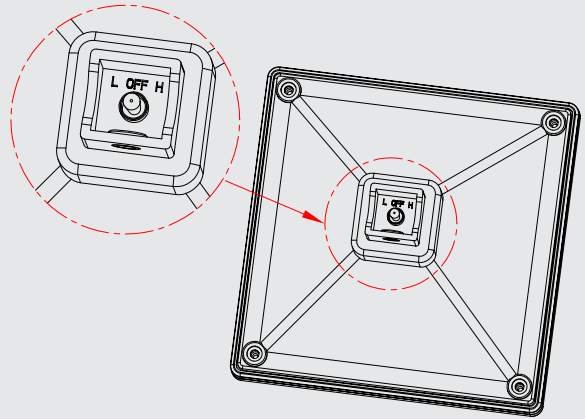
- Follow the Operation Instructions to turn your lamp on in your desired setting.
- Attach the stake (D) to the base pole (C) by twisting clockwise.
- Attach one of pole (B) to pole (C) using the supplied screw. Be careful not to overtighten the screw.
- Attach the second pole (B) to the already assembled pole (B) and secure with the supplied screw. Be careful not to overtighten the screw.
- Attach the top (A) to the upper most pole (B) and secure with the supplied screw. Be careful not to overtighten the screw.
- Insert the completed lamp assembly into the ground in your desired location. Make sure the stake is fully inserted into the ground.

NOTE: If you are having trouble inserting the stake into the ground, try moistening the ground with water.



Operation Instructions

1. Locate the Operation Switch on the underside of the top (A).
2. Move the switch to one of the following settings according to your preferences:
 - a. H (high) = Brighter light output
 - b. L (low) = Softer light and longer duration
3. The lamp will automatically operate at dusk.



Replacement Parts

Replacement Batteries are available at www.gamasonic.com or via our Toll Free number: +1-800-835-4113.

Your lamp uses the following battery:

GS32V15

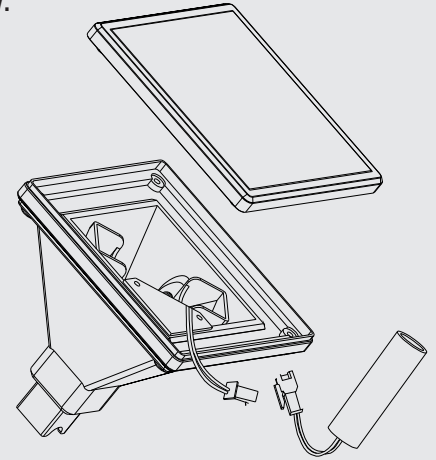


Replacing the Battery (each lamp head has its own set of batteries)

GAMA SONIC®
SOLAR LIGHTING

After several years of use, the battery may need replacing.

1. Remove the screw securing the top (A) and remove the top (A) from the pole assembly.
2. Move the operation switch to the OFF position.
3. Remove the four screws on the underside of the top (A) and remove the clear cover.
4. Lift the solar panel from the assembly.
5. Unclip and remove the battery from the assembly.
6. Make sure the new battery is a Gama Sonic 3.2V/1500mAh Li-Ion Rechargeable battery with matching connector (Item# GS32V15).
7. Clip in the new battery and secure it in the assembly.
8. Reverse steps 1-4 to reassemble your lamp.
9. Repeat all steps for your other lamp.



Batteries are available for purchase at www.gamasonic.com

MAINTENANCE

Clean the solar panels regularly with a damp towel to guarantee optimum performance. Do not use any type of solvent for cleaning and be careful not to put too much pressure on the solar panels while cleaning.

TROUBLESHOOTING

If your solar lights do not come on as expected despite observance of all the instructions, please try the following steps:

1. Make sure that the solar lamp is not being affected by any other light source.
2. Ensure the solar lamp is not positioned in the shade during the day.
3. Check that the batteries are installed correctly.

NOTE: The performance of the solar lamp will vary with the time of year. It will last longer when it has had a full day in the sun rather than a day in overcast weather.



WINTERTIME TIPS: For optimal performance, be sure to remove any snow or debris accumulation from solar panel(s). A solar panel free of debris will charge the batteries much more efficiently.



WARNING: Please keep out of reach of children. Do not dispose of Li-Ion battery in the regular trash, municipal waste stream or by fire as batteries may leak or explode. Do not open, short circuit, or mutilate batteries as injury may occur. Preserve our environment by recycling Li-Ion batteries or disposing of them in accordance with local, state and federal regulations. Do not mix old and new batteries.

