

GAMA SONIC®

SOLAR LIGHTING

Progressive Solar Spot Light

Instruction Manual

Model: GS-103 / GS-103WW



INTRODUCTION

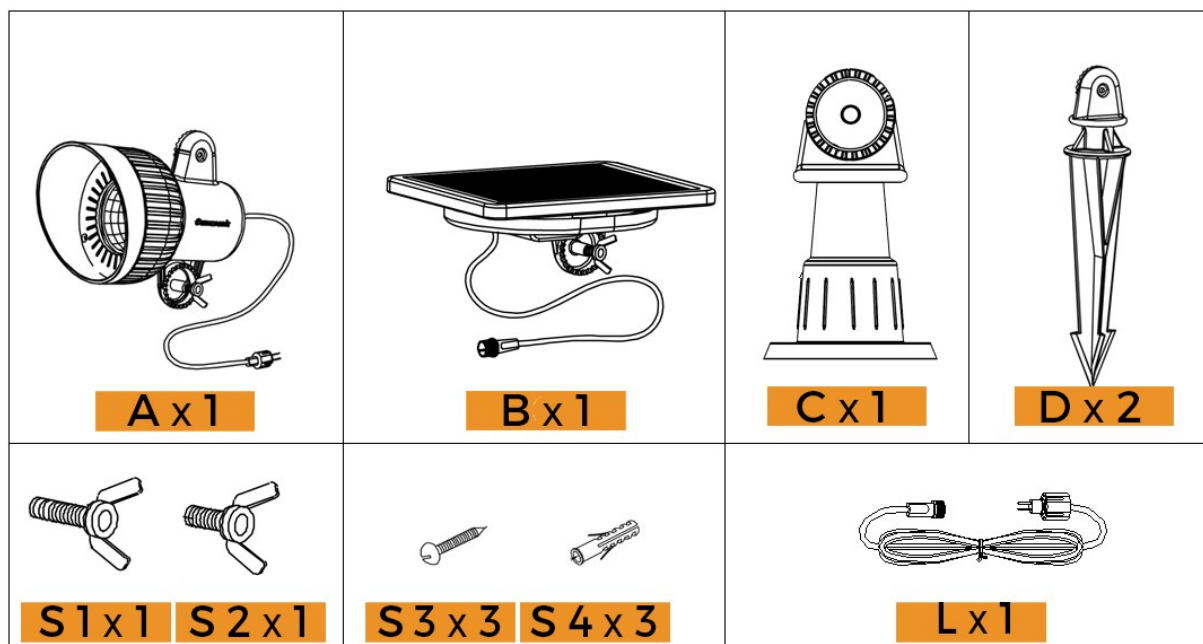
Thank you for your purchase. **GAMA SONIC®** solar charged accent lighting eliminates the problems associated with most solar lighting available today. **GAMA SONIC®** solar charged lights are brighter and last all night with a typical solar charge. Unique design, superior light output and numerous installation options confirm the outstanding value of our product.

GAMA SONIC® has been recognized as a worldwide leader in the lighting industry for over 20 years. The company also offers unique multi-purpose rechargeable products that range from party lights to emergency lighting products.

For technical assistance and more information call our Toll-Free number:
800-835-4113 (only within the US) or visit our website at:
www.gamasonic.com.

Please read the instruction manual carefully to obtain the best results from your purchase.

Unpack and identify the following parts:



SOLAR SPOT LIGHT LOCATION

1. Place the solar spot light in a position where the sun shines directly on the solar panel free from any obstacles and shade.
2. It is recommended to have the solar panel at a 45 degree angle toward the south in North America to absorb maximum sun energy during the day.
3. Make sure the solar panel is not going to be affected by any other light source at night. Otherwise the light will not illuminate after dusk.

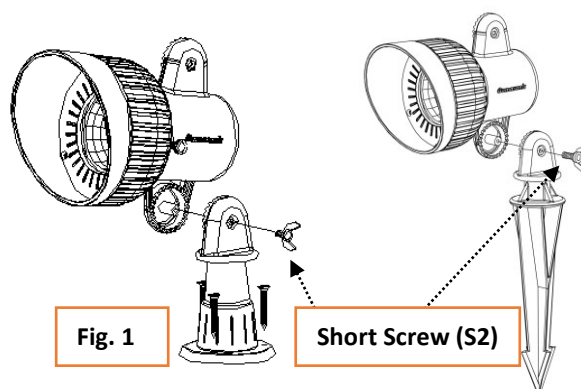
NOTE: If the ground is hard and packed, moisten the ground with water before inserting the stake to avoid possible damage to the unit.

ASSEMBLY INSTRUCTIONS

Our GS-103 model boasts multiple installation options. These instructions will explain how to assemble the different pieces to each other. Please use this as a guide and choose the mounting option/combination that works best for your situation.

Step 1:

Assemble the Stake (D) or the Base (C) onto the body unit (A) using the short wing screw (S2) provided (Fig. 1).



Step 2.1:

To install the solar panel on top of the light fixture, follow the instructions below:

1. Assemble the solar panel (B) onto the spotlight (A) using the long wing screw (S1) provided (Fig. 2).

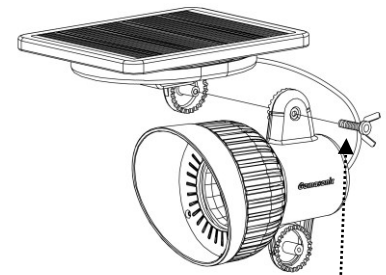


Fig. 2

Long Screw (S1)

Step 2.2:

In case you need to install the solar panel remotely for maximum sun exposure, follow the instructions below.

1. Unwind the extension wire under the solar panel to the desired length. You can also use the extension cord (L) if needed.
2. Assemble the solar panel (B) onto the stake (D) using the long wing screw provided (S1) (Fig. 3).

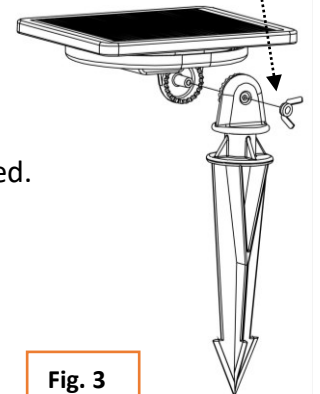


Fig. 3

OPERATION

The On/Off switch is located on the bottom side of the solar panel. Turn the light On and Off by pushing the switch in the appropriate direction for On/Off s. (Fig. 4).

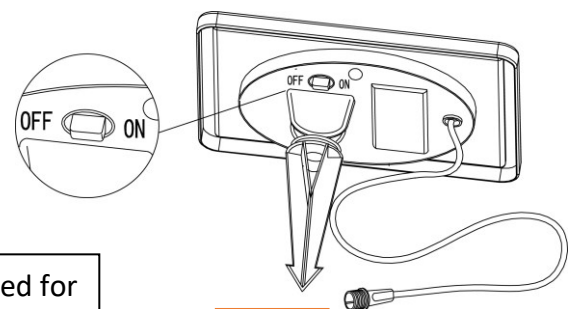


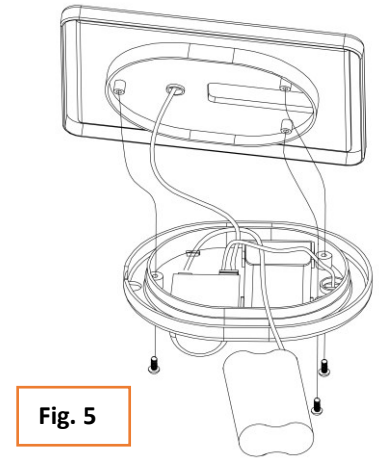
Fig. 4

NOTE: For best results the solar spot light must be charged for two full sunny days in the "On" position.

REPLACING THE BATTERIES

(After several years of use, the batteries may need replacing).

1. Unscrew the 3 screws on backside of the solar panel (**Fig. 5**).
2. Remove the battery pack by unclipping the connector. Make sure the new battery is a Gama Sonic – **3.2V/3,000mAh**, Li-ion Rechargeable
3. Connect the new battery pack and place into the battery compartment.
4. Reassemble the unit by reversing the above procedure.



**** Gama Sonic batteries are available at www.gamasonic.com**

You can purchase it directly at: <https://gamasonic.com/product-category/parts-and-accessories/> . Make sure the new battery is a [Gama Sonic - 3.2V/3,000mAh](#), Li-ion Rechargeable Battery with a connector.

MAINTENANCE:

Clean the solar panel regularly with a damp towel to guarantee optimum performance of the solar panel. Do not use any type of solvent for cleaning and be careful not to put too much pressure on the module while cleaning.

TROUBLE SHOOTING:

If your solar charged light does not come on at dusk despite observance of all the instructions, please try the following steps:

1. Make sure that the solar light is not being affected by any other light source.
2. Ensure the solar light is not affected by any shade during the day.
3. Make sure the light is in the 'ON' position.
4. Check that the batteries are installed correctly.

NOTE: The performance of the solar lamp will vary with the time of year. It will deliver longer duration when it has had a full day of direct sun rather than a day in overcast weather.

WINTERTIME TIPS:

Keep snow and debris cleaned off the solar panels so the batteries can recharge. If the lights are covered with snow for an extended period of time, after the snow melts, allow all the batteries to charge in full, direct sunlight for at least 6 hours to their maximum capacity.

WARNING: Please keep out of reach of children. Do not dispose of Li-Ion battery in the regular trash, municipal waste stream or by fire as batteries may leak or explode. Do not open, short circuit, or mutilate batteries as injury may occur. Preserve our environment by recycling Li-Ion batteries or disposing of them in accordance with local, state and federal regulations. Do not mix old and new batteries.

