



**EVEREST II  
COMMERCIAL GRADE SOLAR LAMP  
With GS Solar LED Light Bulb**

US Patent # 9458970

**Instruction Manual**  
Model: GS-129F-B



## Introduction

Thank you for your purchase. GAMA SONIC® solar-charged accent lighting eliminates the problems associated with most solar lighting available today. GAMA SONIC® solar-charged lights are brighter and last all night with a typical solar charge. Unique design, superior light output and numerous installation options confirm the outstanding value of our product.

GAMA SONIC® has been recognized as a worldwide leader in the lighting industry for over 20 years. The company also offers unique multi-purpose rechargeable products that range from fans with built in radios to emergency lighting products.

For technical assistance and more information call our Toll Free number: **1-800-835-4113** (only within the US) or visit our website at: [www.gamasonic.com](http://www.gamasonic.com).

Visit our website or download the latest version of your instruction manual: [www.gamasonic.com](http://www.gamasonic.com) Or [www.gamasonic.com/user-guides](http://www.gamasonic.com/user-guides)

Please read the instruction manual carefully to obtain the best results from your purchase.

**WARNING: GAMA SONIC® Light bulbs are not to be used in other electrical sockets these are low-voltage light bulbs that are built and designed for our products only!**

### **1. Solar Lamp Location:**

It is very important to place your solar lamp where it exposed to maximum amount of direct sunlight throughout the day.

For best results, the solar lamp post must be charged for two sunny days in the “**ON**” position.

### **2. Tools needed:**

A Philips-head screw driver.

\*\*If you plan to use the One-Way machine screws (included), a Flat-head screw driver is required.

### 3. Installation Instructions

**NOTE: If you are replacing an existing gas/electric post light, you must consult a certified technician to cancel them before installation.**

Install the lamp onto existing 3" post, using the screws provided. Based on your need, you can use regular Philips-head screws [Fig. 1] or the One-Way screws [Fig. 2]

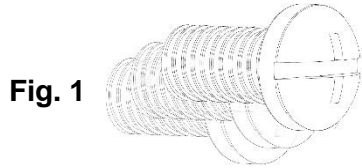


Fig. 1

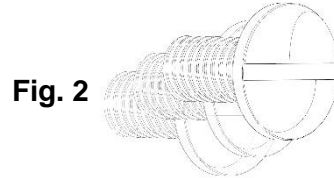


Fig. 2

### 4. Operation Instructions

Turn the On / Off switch on the lamp head to Economy or High position. Economy lasts longer using dimmer light, High mode provides brighter light output.

**(Fig.3)**

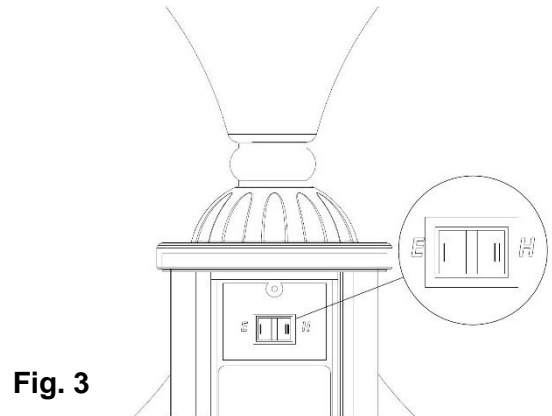


Fig. 3

### 5. Replacing the Batteries

*After several years of use, the battery may need replacing.*

1. Remove the two screws holding the battery compartment lid. **(Fig. 4)**
2. Remove the lid to expose the inside.
3. Unplug the battery inside and replace it with the new battery using the clips.

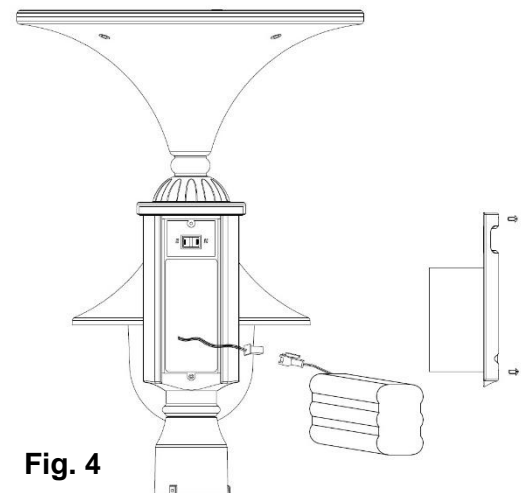


Fig. 4

**\*\* Batteries are available at [www.gamasonic.com](http://www.gamasonic.com)**

You can purchase it directly at: <https://gamasonic.com/product-category/parts-and-accessories/> . Make sure the new battery is a Gama Sonic - 3.7V/27A, Li-ion Rechargeable Battery Pack with a connector.

**WARNING:** Do not dispose of Li-Ion battery in the regular trash, municipal waste stream or by fire as batteries may leak or explode. Do not open, short circuit, or mutilate batteries as injury may occur. Preserve our environment by recycling Li-Ion batteries or disposing of them in accordance with local, state and federal regulations. Do not mix old and new batteries.

Replacement Solar LED Bulb and batteries are available at [www.gamasonic.com](http://www.gamasonic.com) or via our Toll free number: +1-800-835-4113

## **MAINTENANCE**

Clean the solar panels regularly with a damp towel to guarantee optimum performance. Do not use any type of solvent for cleaning and be careful not to put too much pressure on the solar panels while cleaning.

## **TROUBLESHOOTING**

If your solar charged light does not come on at dusk despite observance of all the instructions, please try the following steps:

1. Make sure that the solar light is not being affected by any other light source.
2. Ensure the solar light is not positioned in the shade during the day.
3. Make sure the switch in the light is the ON position.
4. Check that the batteries are installed correctly.

**NOTE:** The performance of the solar light will vary with the time of year. It will deliver more light when it has had a full day in the sun rather than a day in overcast weather.

**WINTERTIME TIPS:** For optimal performance, be sure to remove any snow or debris accumulation from solar panel(s). A solar panel free of debris will charge the batteries much more efficiently.

**WARNING:** Please keep out of reach of children.

