



ROYAL SOLAR LAMP POST

With Solar Bulb

US Patent
7172307 # 9458970

Instruction Manual
Models: GS-98B-S
GS-98B-D, GS-98B-T, GS-98B-W,
GS-98B-P, GS-98B-F



GS-98B-S-BLK



GS-98B-S-WB



GS-98B-D-WB



GS-98B-T-WB



GS-98B-F-BLK



GS-98B-F-WB



GS-98B-P-WB



GS-98B-W-WB

Introduction

Thank you for your purchase. **GAMA SONIC®** solar charged accent lighting eliminates the problems associated with most solar lighting available today. **GAMA SONIC®** solar charged lights are brighter and last all night with a typical solar charge. Unique design, superior light output and numerous installation options confirm the outstanding value of the product.

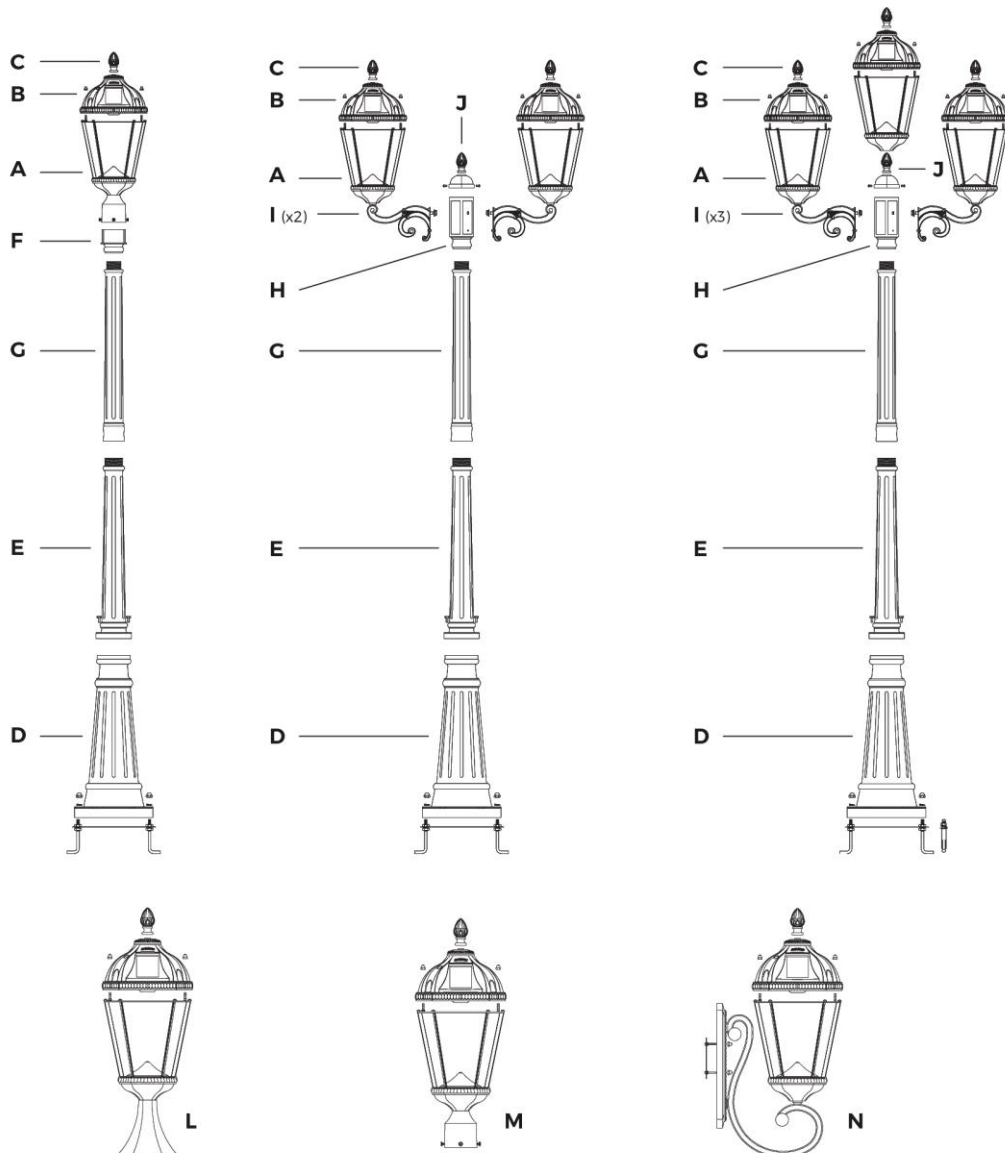
GAMA SONIC® has been recognized as a worldwide leader in the lighting industry for over 20 years. The company also offers unique multi-purpose rechargeable products that range from party lights to emergency lighting products.

For technical assistance and more information call our Toll Free number:
1-800-835-4113 (only within the US)

Visit our website or download the latest version of your instruction manual:
www.gamasonic.com Or www.gamasonic.com/user-guides

Please read the instruction manual carefully to obtain the best results from your purchase.

Unpack and identify the following components.



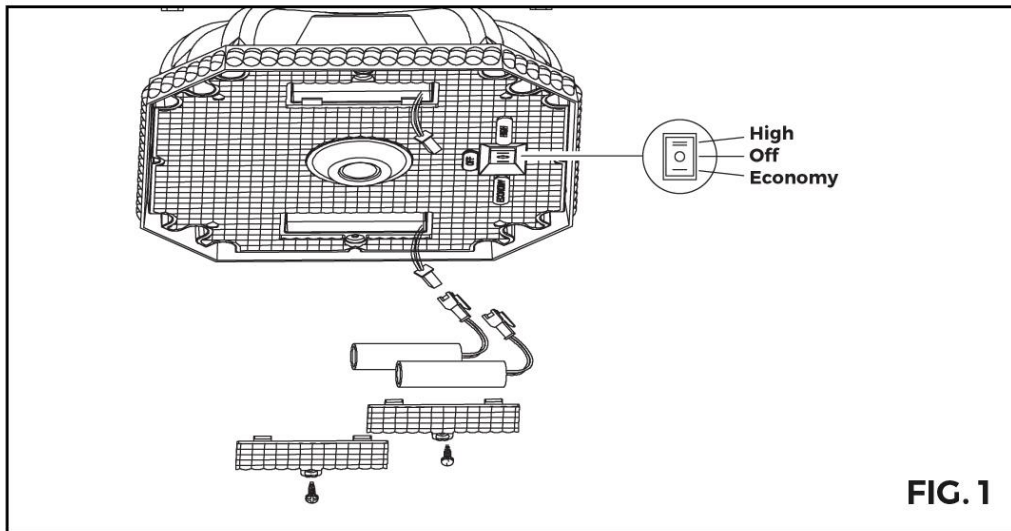


FIG. 1

WARNING: GAMA SONIC® Light bulbs are not to be used in other electrical sockets these are low-voltage light bulbs that are built and designed for our products only!

Tools that are needed but not supplied with the high post lamps are: a screw driver, a wrench and an electrical drill that will be used to anchor the lamp base to the ground.

Solar Lamp Post Location

For optimum light duration throughout the night, it is very important to mount your solar lamp post in a spot where it will receive the maximum amount of sunlight throughout the day.

NOTE: The following steps are for reference only. Consult your local hardware store for the best installation method for your particular surface.

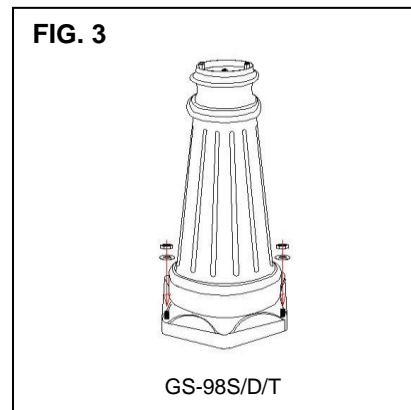
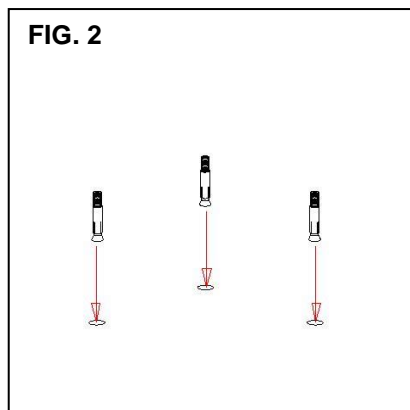
NOTE: The solar light must be charged for two sunny days for best results on the "Economy (I)" position.

Operation Instructions for all models

1. Unscrew the two knobs in the upper part of the lamp (B) to detach it from Part A.
2. Turn ON the operation switch by choosing your desired brightness level: **Economy (I)** - last longer using dimmer light. **High (II)**- Brighter light output. (Fig. 1).
3. Reassemble the upper part of the lamp (B) by screwing the two knobs.

Installation Instructions for models GS-98B-S\D\T

1. Mark and drill three holes, into a solid surface no smaller than the fastening screws. The holes shall be lined up with the holes of the lamp base (D).
2. Put the fastening screws (included) into the drilled holes with their threaded ends facing up (Fig. 2).
3. Place lamp base onto fastening screws and secure base with the nuts using a wrench (Fig. 3).
4. Make sure the lamp base (D) is stable before installing Part (E).
5. Place part (E) on top of part (D) and tighten with the provided screws using a wrench.
6. **GS-98S:**
 - 6.1 Screw part (G) onto part (E) and part (F) onto part (G).
 - 6.1 Place Part (A) on top of Part (F) and tighten the 3 screws.
7. **GS-98D\GS-98T:**
 - 7.1 Screw part (G) onto part (E).
 - 7.2 Screw Part (H) onto Part (G).
 - 7.3 Place bracket (I) into part (H) and tighten the knob from within Part (H), then screw the second screw from outside Part (I) to secure the bracket to part (H).
 - 7.4 Repeat steps (7.3) two times in model GS-98D and three times in model GS-98T.
 - 7.5 Install part (J) on top of Part (H) by screwing the two screws.



Installation Instructions for model GS-98P

Use electric drill to make two holes in the desired surface, place provided anchors into holes, place the base (L) in line with the holes and screw the provided screws.

Installation Instructions for model GS-98F

NOTE: If you are replacing an existing gas/electric post light, you must consult a certified technician to cancel them before installation.

Place Part (M) on top of your existing 3" post and tighten the 3 screws provided to secure the lamp.

Installation Instructions for model GS-98W

NOTE: Locate your solar lamp facing the south for best results.

Use electric drill to make two holes in the wall, place provided anchors into holes, place the wall bracket (N) in line with the holes and screw the provided screws.

Replacing the Solar LED Bulb

The Solar LED Bulb is designed to last up to 10 years, however if it is not working, or if you want to use a different color temperature bulb, you can replace it with a new GAMA SONIC Solar LED Bulb.

1. Detach the upper part of the lamp as shown in (Fig. 1) by turning it counterclockwise.
2. Make sure the operation switch is in the OFF ("O") position.
3. Remove the existing bulb by turning it counterclockwise.
4. Install the new GS Solar LED Bulb by turning into the bulb socket clockwise.
5. Reassemble the unit by reversing the above procedure

Replacing the Batteries

(After several years of use, the batteries may need replacing).

1. Unscrew the two knobs in the upper part of the lamp (B) to detach it from Part A.
2. Make sure the ON/OFF switch is in the "OFF" position (O).
3. Unscrew the battery compartment's screw located on the silver reflector and remove the old battery pack. Make sure the new batteries are high quality - 1 x Li-Ion Battery Pack (3.2 Volt / 1500 Ma) (Fig. 1).
4. Install the new batteries into the battery compartment.
5. Reassemble the unit by reversing the above procedure.

Replacement Solar LED Bulb and batteries are available at www.gamasonic.com or via our Toll free number: +1-800-835-4113

Charging & Duration Chart

Model#	Charging Time	Duration High Mode	Duration Low Mode
GS-98B-S/D/T/W/F/P	3 Hours	Approx. 6 hours	Approx. 8 hours
	6 Hours	Approx. 10 hours	Approx. 15 hours

Warning

Do not dispose of Li-Ion battery in the regular trash, municipal waste stream or by fire as batteries may leak or explode. Do not open, short circuit, or mutilate batteries as injury may occur. Preserve our environment by recycling Li-Ion batteries or disposing of them in accordance with local, State and federal regulations. Do not mix old and new batteries.

Maintenance

Clean the solar panel regularly with a damp towel to guarantee optimum performance of the solar panel. Do not use any type of solvent for cleaning and be careful not to put too much pressure on the solar panel while cleaning.

Trouble Shooting

If your solar charged light does not come on at dusk despite observance of all the instructions, please try the following steps:

1. Make sure that the solar lantern is not being affected by any other light source.
2. Ensure the solar lantern is not positioned in the shade during the day.
3. Make sure the switch in the lamp head is in the "ON" position (either Low "I" or High "II").
4. Check that the batteries are installed correctly.

NOTE: The performance of the solar light will vary with the time of year. It will deliver more light when it has had a full day in the sun rather than a day in overcast weather.

MAINTENANCE TIPS: For optimal performance, be sure to remove any snow or debris accumulation from solar panel(s). A solar panel free of debris will charge the batteries much more efficiently. It is recommended to clear the solar panel every two, three months.

WARNING: Please keep out of reach of children.

