

F7RT24*1
F7RT30*1

ELECTRIC COOKTOP

CUISINIER ÉLECTRIQUE

COCINA ELÉCTRICA

EN INSTALLATION INSTRUCTIONS

FR INSTRUCTIONS D'INSTALLATION

ES INSTRUCCIONES DE INSTALACIÓN

Dear Customer,

Thank you for purchasing a Fulgor Milano product. Fulgor Milano is committed to excellence and our signature technologies provide you with professional tools for your kitchen. One of our central philosophies is continuous investment in research that is rooted in developing life enhancing technology. Our goal is to deliver products that are worthy of your family recipes and that will breathe life into your kitchen, the heart of your home. We invite you to enjoy your new Fulgor Milano product with same amount of care and attention that we have put into creating it.

Your Life | Our Passion

Gianni Alessandretti

TABLE OF CONTENTS	PAGE
1 - Special Warnings	2
Before Starting Installation	2
2 - Product Dimensions and Cutout Requirements	3
Important Preparation Suggestions	4
3 - Cooktop Installation	5
4 - Electrical Connections	8
General information	8
Connect with copper wire only	8
3 - Wire branch circuit	9
4-Wire branch circuit	9

IMPORTANT: Save these instructions for the local electrical inspector use.

INSTALLER: Please leave this manual with owner for future reference.

OWNER: Please keep this manual for future reference.

Pay attention to these symbols present in this manual



DANGER

You can be killed or seriously injured if you don't IMMEDIATELY follow instructions.



WARNING

- This is the safety alert symbol. This symbol alerts you to potential hazards that can kill or hurt you and others.
- You can be killed or seriously injured if you don't follow these instructions.

READ AND SAVE THESE INSTRUCTIONS.

To installer:

Leave these instructions with the appliance.

To customer:

Retain these instructions for future reference.



WARNING

- If the information in this manual is not followed exactly, a fire or explosion may result in personal injury or death.
- Do not store or use gasoline or other flammable vapors and liquids in the vicinity of this or any other appliance.



Special Warnings



Please read all instructions before using this appliance

Proper installation is your responsibility. Have a qualified technician install this cooktop.



IMPORTANT

- Observe all governing codes and ordinances.
- Write down the model and serial numbers before installing the cook top. Both numbers are on the serial rating plate located on bottom of cooktop box.

Before Starting Installation



WARNING

It is the customer's responsibility to contact a qualified electrical installer. To assure that the electrical installation is Adequate and in conformity with national electrical code: ANSI/NFPA 70-latest edition** or CSA standards C22.1-94, Canadian Electrical Code, part No.0- M91 - latest edition*** and all local codes and ordinances.

Copies of the standards listed may be obtained from:

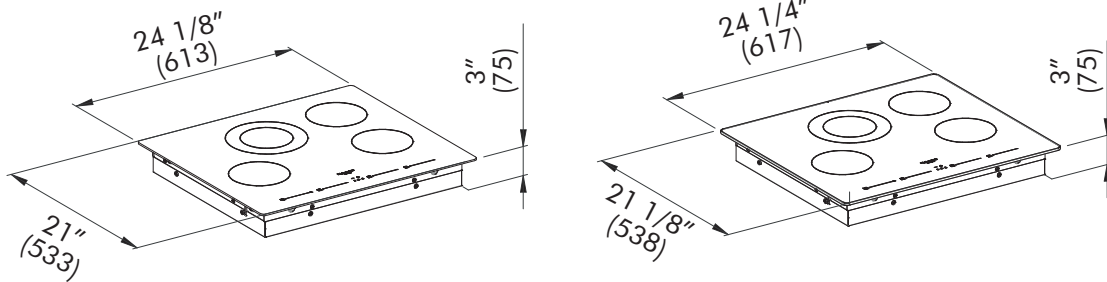
** National Fire Protection Association One Batterymarch Park Quincy, Massachusetts 02269

*** CSA International 8501 East Pleasant Valley Rd. Cleveland, OH 44131-5575

To eliminate the risk of burns by reaching over heated surface units, cabinet storage space located above the surface units should be avoided. If cabinet storage is to be provided, the risk can be reduced by installing a range hood that projects horizontally a minimum of 5" (12,7 cm) beyond the bottom of cabinet.

FIGURE 1 - PRODUCT DIMENSIONS

24'' - 24'' FRAME



30'' - 30'' FRAME

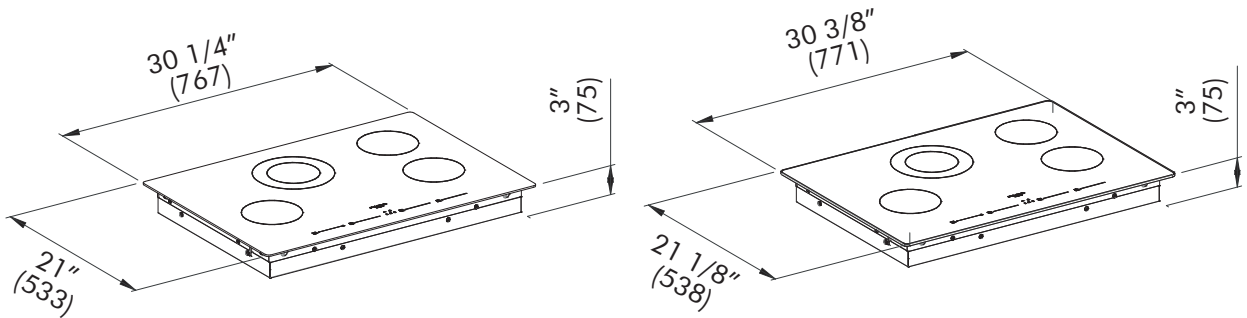


FIGURE 2 - CUTOUT DIMENSIONS

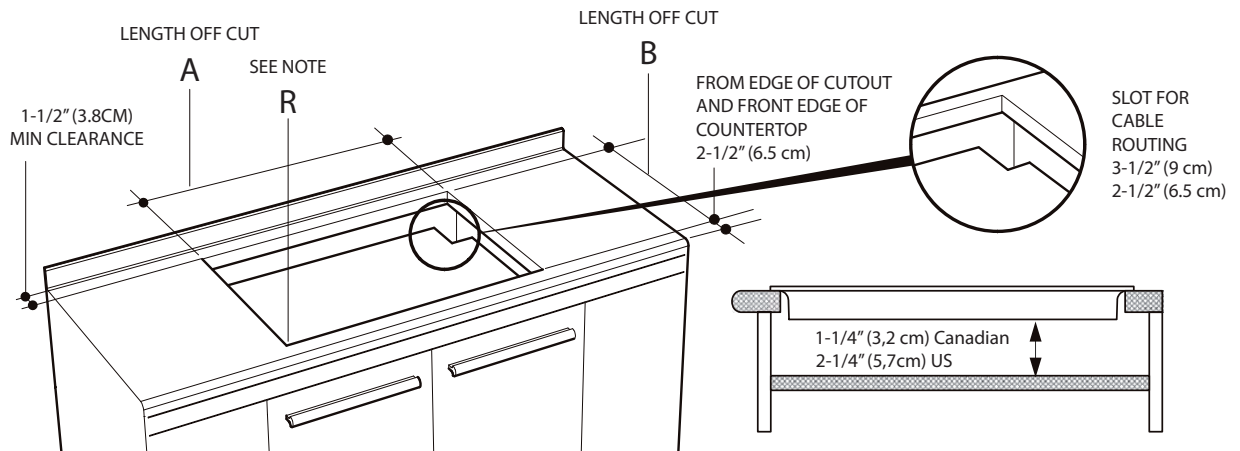
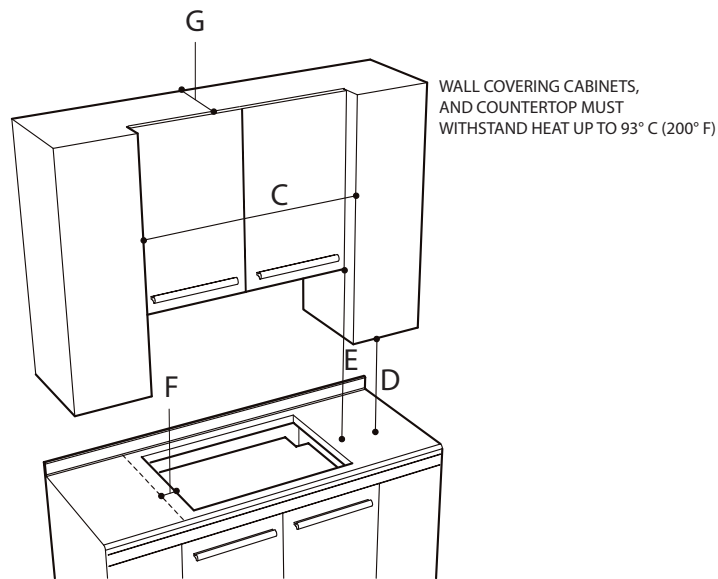


FIGURE 3 - CUTOUT REQUIREMENTS



	24" (60 cm)	30" (76.2 cm)
A	22 5/8" (57.4 cm) 22 13/16" (58.0 cm)	28 11/16" (72.9 cm) 28 15/16" (73.5 cm)
B	19 1/4" (49.0 cm) 19 9/16" (49.7 cm)	19 1/4" (49.0 cm) 19 5/8" (49.8 cm)
C	24" (60 cm) min	30" (76.2 cm) min
D	18" (45.7 cm) min Height from countertop to nearest cabinet on either side of until	
E	30" (76.2 cm) min. (see note*) Clearance from countertop to unprotected overhead surface	
F	2" (5 cm) Clearance from cutout to side wall on the left and right of the until	
G	13" (33 cm) Depth of unprotected overhead cabinets	

IMPORTANT:

Under the cooktop it is necessary to install a partition as shown in figure2-3.

*** NOTE:**

- 24" (61 cm) min. clearance if bottom of wood or metal cabinets is protected by not less than 1/4" (0.6 cm) flame retardant millboard covered with no less than No. 28 MSG sheet steel 0.015" (0.04 cm) stainless steel, or 0.024" (0.06 cm) aluminum or 0.020" (0.05cm) copper.
- 30"(76.2 cm) min. clearance between top of cooking platform and bottom of unprotected wood or metal cabinet.

Important Preparation Suggestions

1. Chamfer all exposed edges of decorative laminate to prevent damage from chipping.
2. Radius corners of cutout and file to insure smooth edges and prevent corner cracking. Recommend 1/4" or 3/8" diameter drill in each corner.
3. Rough edges, inside corners which have not been rounded and forced fits can contribute to cracking of the countertop laminate.

This cooktop has been designed with wide tolerances of cutout to cover possible replacement with other brands. We recommend to that you consider the minimum dimension of cutout size in the case of new installation.

Some cut out sizes for possible replacements:

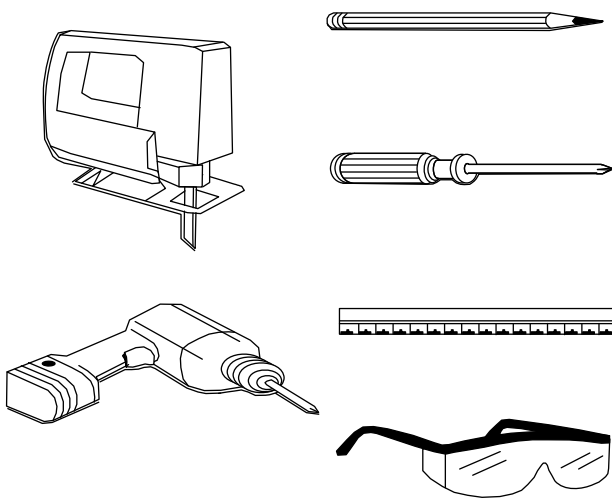
Dim.	Inches	cm
24"	22 13/16" x 19-9/16"	58,0 x 49,7
30"	28-15/16" x 19-9/16"	73,5 x 49,7

WARNING

- **Excessive Weight Hazard**
Use two or more people to move and install cooktop. Failure to do so can result in back or other injury.
- **Cut Hazard**
Beware of sharp edges. Use the polystyrene ends when carrying the product. Failure to use caution could result in minor injury or cuts.

- Always consult the countertop manufacturer for specific instructions.
- Ensure the countertop is square and level and ensure no structural members interfere with space requirements.
- Prepare the cut-out according to the instructions (see cut-out dimensions).
- Make sure the wall coverings, countertop and cabinets around the cooktop can withstand heat (up to 200 F / 93 C).

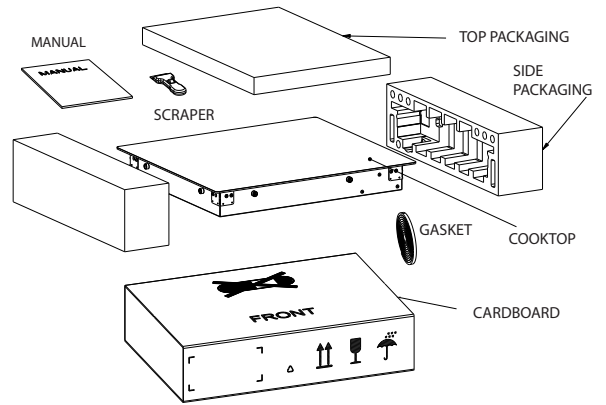
FIGURE 4 - TOOLS YOU WILL NEED



Step 1

Remove packaging materials and literature package from the cooktop before beginning installation. Remove Installation Manual from literature pack and read them carefully before you begin.

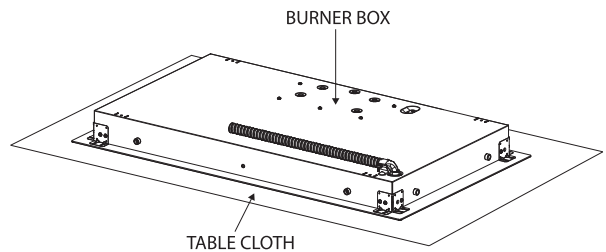
FIGURE 5 - PARTS



Step 2

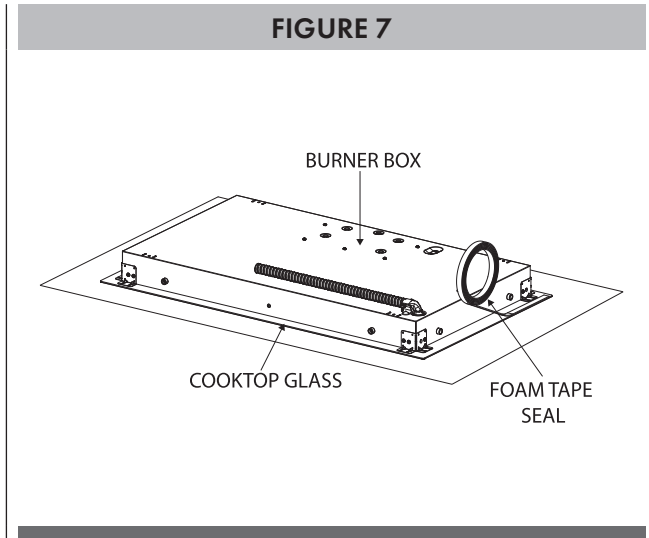
Place a towel or table cloth onto the counter top. Lay the cooktop upside down onto the protected surface.

FIGURE 6

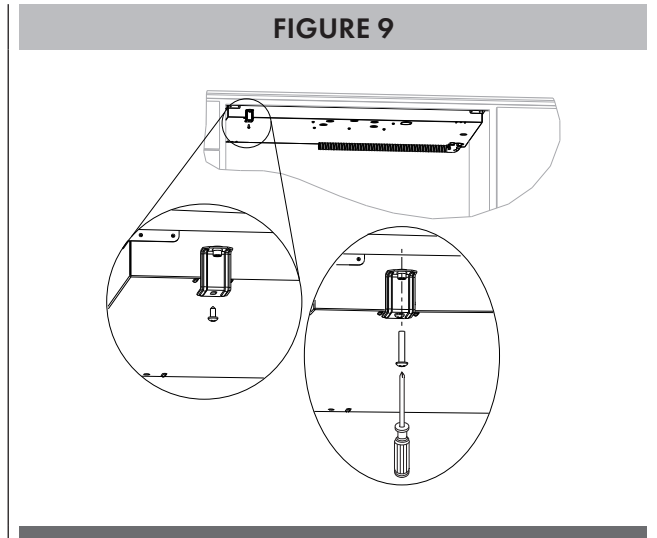


Step 3

A foam tape is provided to seal the cooktop edges to the countertop. Apply tape approximately 1/16" (1.5 mm) from the glass edge to the underside of the cooktop glass. Use tape around the entire glass perimeter. Cut off excess where tape ends butt.

**Step 5**

Four clamp brackets are provided to clamp the cooktop to the countertop. Tighten screws just enough to hold brackets in place when cooktop is put into cutout. Tighten screws securely.

**Step 4**

Insert the cooktop centered into the cutout opening. Make sure the front edge of the counter top is parallel to the cooktop. Make final check that all required clearances are met.

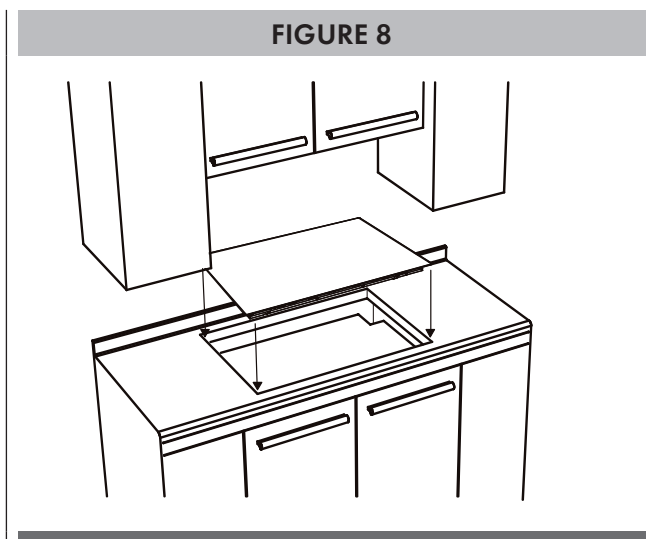
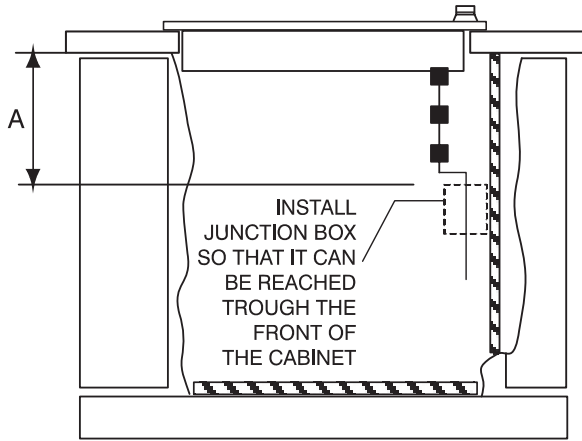


FIGURE 10 - ELECTRIC LINE OPENING

A: 12" (30.5 cm) MIN FROM
 BOTTOM OF COUNTERTOP
 AND ADJACENT CABINET
 (RIGHT SIDE)



WARNING

THE CONDUIT IS 3 FEET LONG

The junction box, must be located where it will allow considerable slack in the conduit for serviceability.

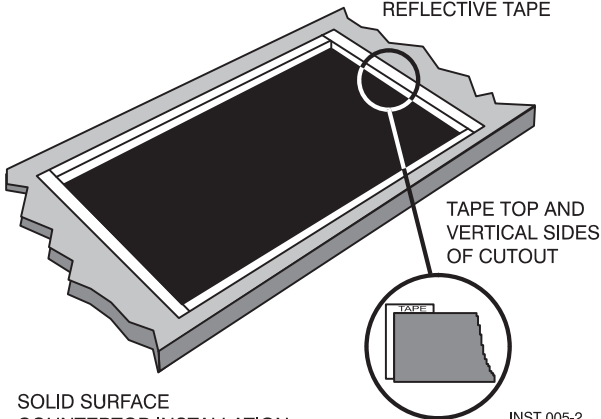


IMPORTANT

- For solid surface material installations such as Surel™ and Corian®, consult with solid surface manufacturer. Apply heat reflective tape such as Scotch® Aluminum Foil Tape #425 or #427 around the cutout so that it folds over on the top and sides.
- Do not wrap the tape underneath the cooktop. Be sure the tape extends beyond the outermost flange of the cooktop. All corners should be covered with tape.

FIGURE 11

SHOWS LOCATIONS
 OF ALUMINUM
 REFLECTIVE TAPE



SOLID SURFACE
 COUNTERTOP INSTALLATION

INST 005-2

DANGER

Disconnect power before servicing the product. Failure to do so could result in death or electrical shock.

General information

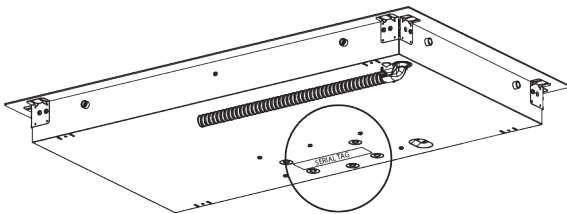
WARNING

The models may be powered at 240V or 208V.

This cooktop does not require a neutral connection. If the cooktop is to be completely enclosed in a cabinet, feed the cooktop cable through the opening in the cabinet. Make the electrical connection following the appropriate steps for your installation.

Your cooktop must be connected to the proper electrical voltage and frequency as specified in the table on the right.

FIGURE 12 - LOCATION OF SERIAL TAG



Connect with copper wire only

If the house has aluminum wiring, follow the procedure below:

1. Connect the aluminum wiring to the copper wire by using special connectors designed and Underwriters Laboratories-listed for joining copper to aluminum. Follow the electrical connector manufacturer's recommended procedure.
2. Aluminum/copper connection must conform with local codes and industry-accepted wiring practices.

The flexible conduit (supplied) 3 feet long (100 cm) located at the right rear of the cooktop bottom box should be connected directly to junction box. Do not cut the conduit. A U.L. - or CSA - listed conduit connector must be provided at each end of the power supply cable (at the cooktop and at the junction box.) A time delay fuse or circuit breaker is recommended. Do not ground to a gas pipe. Do not have a fuse in the grounding or neutral circuit.

Fuse both supply (phase) lines.

WARNING

Improper connection of aluminum house wiring to the copper leads can result in a serious problem.

Model	Power Supply				Approval code
	240 V 60 Hz		208 V 60 Hz		
24" F7RT24*1	5,5kW	23,0A	4,10kW	20,0A	515Y4*V
30" F7RT30*1	5,5kW	23,0A	4,10kW	20,0A	515T40*V

National Fire Protection Association Batter/march Park Quincy, Massachusetts 02269

A three-wire, single phase, 240 Volt 60 cycle electrical system (properly circuit protected to meet Local Codes of NFPA No.70) must be provided. Unit must be properly grounded in accordance with local wiring code. The chart below recommends the minimum circuit protector and wire size if the appliance is the only unit on the circuit. If smaller sizes of wire are used, the unit efficiency will be reduced and a fire hazard may be created. It is advisable that the electrical wiring and hookup be accomplished by a competent electrician.

WARNING

This touch control works using optical light sensing technology. When first connecting electrically or after a power failure, any direct strong light over the sensor area may affect the touch control functionality. When powering on the unit make sure that no strong light is shining direct over the touch control zone, it can compromise the start-up sensor calibration resulting in an unresponsive touch control.

kW Rating on serial plate	Recommended Minimum	
	Circuit protection in amperes	Wire size (AWG)
0-4.8	20	12
4.9-6.9	30	10
7.0-9.9	40	8
10.0-11.9	50	8
12.0-14.9	60	6

Be sure your appliance is properly installed and grounded by a qualified technician. Ask your dealer to recommend a qualified technician or an authorized repair service. This cooktop does not require a neutral connection. If the cooktop is to be completely enclosed in a cabinet, feed the cooktop cable through the opening in the cabinet. Make the electrical connection following the appropriate steps for your installation.

This appliance is manufactured with a green **ground** wire connected to the cooktop chassis. After making sure that the power has been turned off, connect the flexible conduit from the cooktop to the junction box using a U.L. listed conduit connector. Figures 13 and 14 and the instructions provided below present the most common way of connecting the cooktops. Your local codes and ordinances, of course, take precedence over these instructions. Complete electrical connections according to local codes and ordinances.

**DANGER**

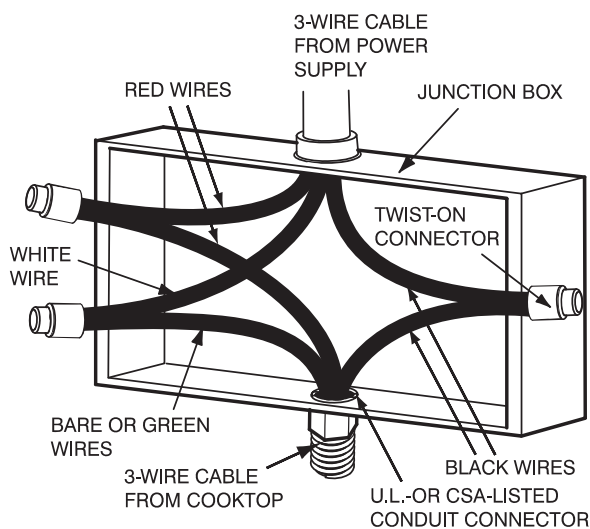
Risk of Electric Shock, frame grounded to neutral of appliance through a link.

Grounding through the neutral conductor is prohibited for new branch-circuit installations (1996 NEC); mobile homes; and recreational vehicles, or in an area where local codes prohibit grounding through the neutral conductor.

3 - Wire branch circuit

Where local codes allow the connection of ground wire from the cooktop to the branch circuit neutral wire (gray or white colored wire) proceed as follows (see figure 13).

1. If local codes permit, connect the green GROUND wire from the cooktop to the branch circuit neutral wire (gray or white colored wire).
2. Connect the red and black leads from the cooktop to the corresponding leads in the junction box.

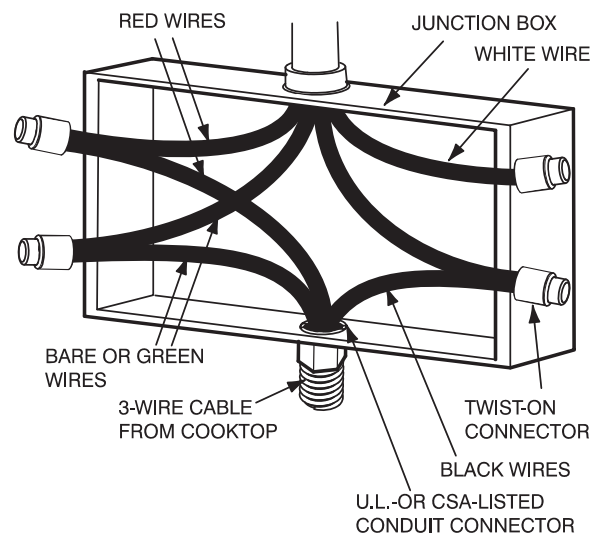
FIGURE 13

Where local codes permit connecting the frame-ground conductor to the neutral (white) junction box wire.
(Not used for Canadian installations)

4-Wire branch circuit

Refer to figure 14:

1. Connect the green ground wire from the cooktop to the ground wire in the junction box (bare or green colored wire).
2. Connect the red and black leads from the cooktop to the corresponding leads in the junction box.
3. Terminate and insulate the neutral (gray or white colored wire) in the junction box.

FIGURE 14

TABLES DES MATIERES	PAGE
1 - Special Warnings	2
Before Starting Installation	2
2 - Product Dimensions and Cutout Requirements	3
Important Preparation Suggestions	4
3 - Cooktop Installation	5
4 - Electrical Connections	8
General information	8
Connect with copper wire only	8
3 - Wire branch circuit	9
4-Wire branch circuit	9

IMPORTANT : Gardez ces instructions pour une utilisation d'inspection électrique locale

INSTALLATEUR : Veuillez laisser ce manuel au propriétaire pour de futures références.

PROPRIETAIRE : Veuillez garder ce manuel pour de futures références

Veillez prêter attention à ces symboles que vous rencontrerez dans ce manuel



DANGER

Si vous ne suivez pas IMMEDIATEMENT ces instructions, vous courez le risque de mourir ou d'être sérieusement blessé.



AVERTISSEMENT

- Ce symbole signifie que la sécurité est en danger. Il signale les risques potentiels qui peuvent entraîner la mort ou des blessures à l'opérateur ou aux autres.
- Si vous ne suivez pas ces instructions à la lettre, vous courez le risque de mourir ou d'être sérieusement blessé.

BIEN LIRE CES INSTRUCTIONS ET LES CONSERVER.

À l'installateur :

Laissez ces instructions avec l'appareil.

Au client :

Gardez ces instructions comme référence future.



AVERTISSEMENT

- La non-observation des instructions contenues dans ce manuel peut entraîner la mort ou des blessures sérieuses du fait d'un incendie ou d'une explosion.
- Ne pas stocker ou utiliser de l'essence ou d'autres liquides inflammables à proximité de cet appareil ou de tout autre appareil électroménager.



Avertissement Spéciaux

Veuillez lire les instructions avant toute utilisation



Il est de votre responsabilité d'installer l'appareil correctement. Confiez l'installation de cette table de cuisson à un technicien qualifié.



IMPORTANT

- Respecter les règlements et ordonnances en vigueur.
- Avant d'installer la table de cuisson, veuillez noter les numéros de modèle et de série. Ces deux numéros se trouvent sur la plaquette signalétique située en dessous de la caisse de la table de cuisson.

Avant de Procéder à l'Installation



AVERTISSEMENT

La responsabilité revient au client de contacter un électricien installateur qualifié. Veuillez vous assurer que l'installation électrique est adéquate et conforme à la réglementation électrique nationale : ANSI/NFPA 70 -dernière édition ** ou normes CSA C22.1-94, réglementation électrique canadienne, partie No.0-M91 – dernière édition *** et tous les règlements et ordonnances locaux.

Copies des normes mentionnées ci-dessus peuvent être obtenues:

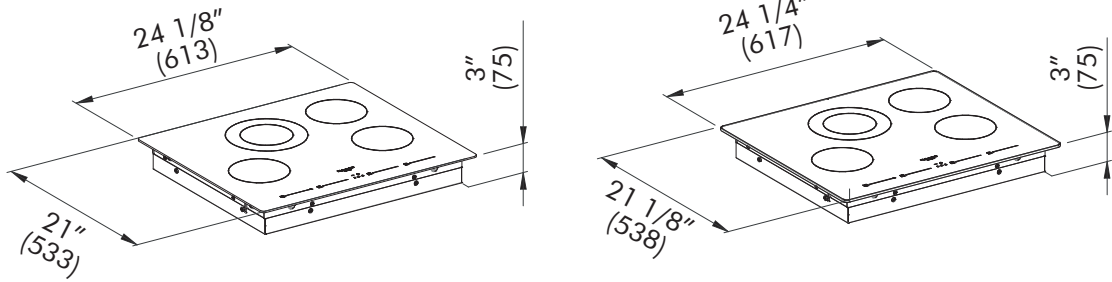
** National Fire Protection Association One Batterymarch Park Quincy, Massachusetts 02269

*** CSA International 8501 East Pleasant Valley Rd. Cleveland, OH 44131-5575

Pour éviter le risque de brûlures en touchant les surfaces chauffées, l'espace de stockage du meuble au dessus des unités de surface doit être évité. Si le meuble de stockage est fourni, le risque peut être réduit en installant une hotte qui projette horizontalement un minimum de 5" (12,7 cm) sous le dessous du meuble.

FIGURE 1 - DIMENSIONS DU PRODUIT

24'' - 24'' FRAME



30'' - 30'' FRAME

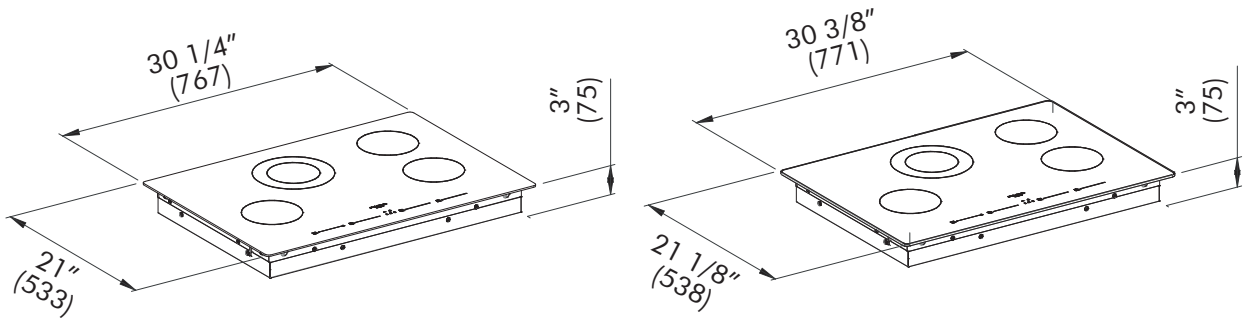


FIGURE 2 - DIMENSION DE LA DÉCOUPE

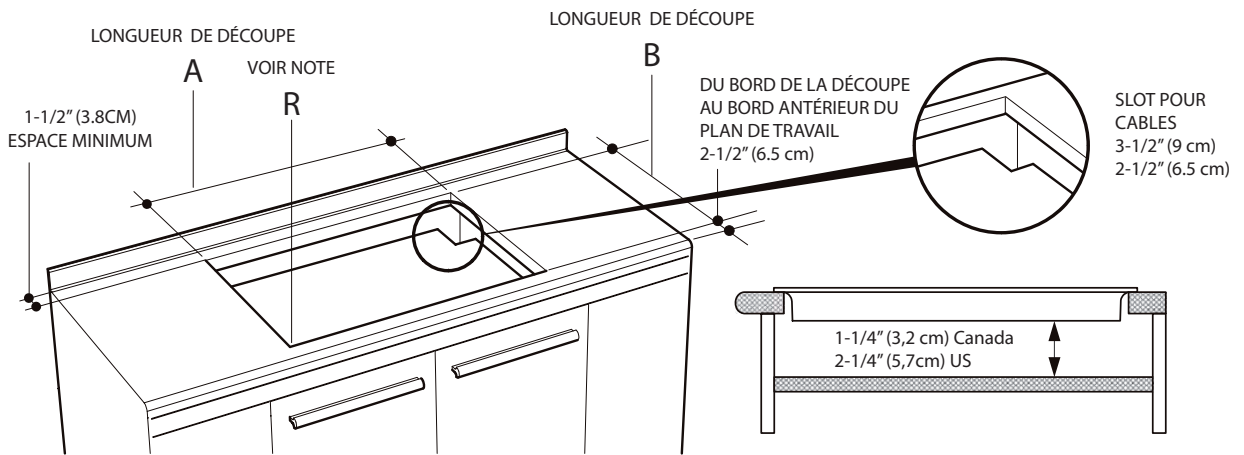
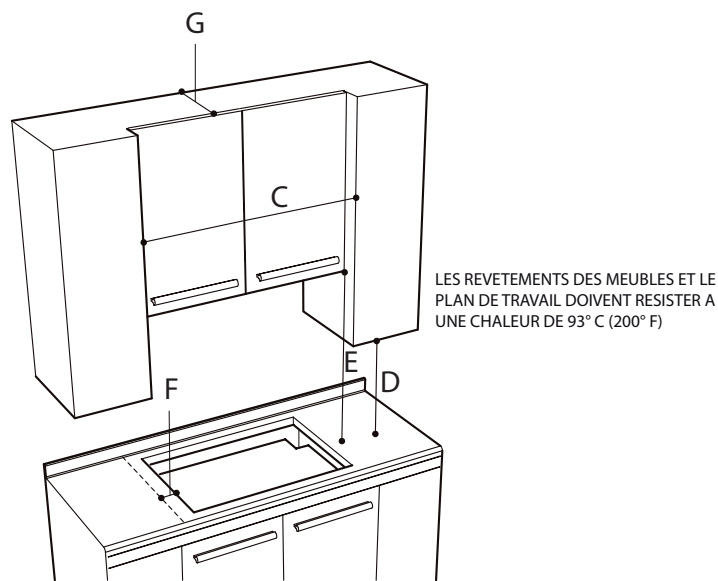


FIGURE 3 - DISPOSITIONS POUR LA DÉCOUPE



	24" (60 cm)	30" (76.2 cm)
A	22 5/8" (57,4 cm) 22 13/16" (58,0 cm)	28 11/16" (72,9 cm) 28 15/16" (73,5 cm)
B	19 1/4" (49,0 cm) 19 9/16" (49,7 cm)	19 1/4" (49,0 cm) 19 5/8" (49,8 cm)
C	24" (60 cm) min	30" (76,2 cm) min
D	18" (45,7 cm) Hauteur min. du plan de travail au meuble le plus près des deux cotés de l'appareil	
E	30" (76,2 cm) min. (voir note*) Du plan de travail à la surface non protégée à la verticale	
F	2" (5 cm) Espace min. de la découpe à la paroi latérale sur la gauche et la droite de l'appareil	
G	13" (33 cm) Profondeur des meubles non protégées à la verticale	

IMPORTANT :

En dessous de la table de cuisson, il est nécessaire d'installer une cloison, comme figure 2-3.

*** NOTE:**

- 22 1/4" (61 cm) espace min. si le bas des meubles en bois ou en métal est protégée par au moins 1/4" (0,6 cm) de cartonreluire ignifuge avec une tôle d'acier inoxydable No. 28 MSG d'au moins 0.015" (0,04 cm), ou d'aluminium 0.024" (0,06 cm) ou de cuivre 0.020" (0,05 cm).

- 30" (76,2 cm) d'espace min. entre le haut de la plate-forme de cuisson et le bas du meuble non-protégé en bois ou métal.

Conseils importants de préparation

1. Biseautez tous les bords exposés du contreplaqué décoratif pour empêcher qu'ils ne s'écaillent.
2. Arrondissez les quatre coins de la découpe et limez le pourtour pour que les bords soient lisses et que les coins ne se fissurent pas. Utilisez une mèche de 1/4" ou 3/8" pour percer les trous à chaque angle.
3. Si les bords ne sont pas lisses, l'intérieur des coins n'est pas arrondi et l'encastrement a été forcé, il est possible que le contreplaqué du plan de travail se fendille.

Cette table de cuissons a été conçue avec de grande tolérance de découpe pour couvrir le remplacement possible avec d'autres marques.

Quelques découpes pour des remplacements possibles:

Dim.	Inches	cm
24"	22 13/16" x 19-9/16"	58,0 x 49,7
30"	28-15/16" x 19-9/16"	73,5 x 49,7



AVERTISSEMENT

• **Risque du fait du poids excessif**

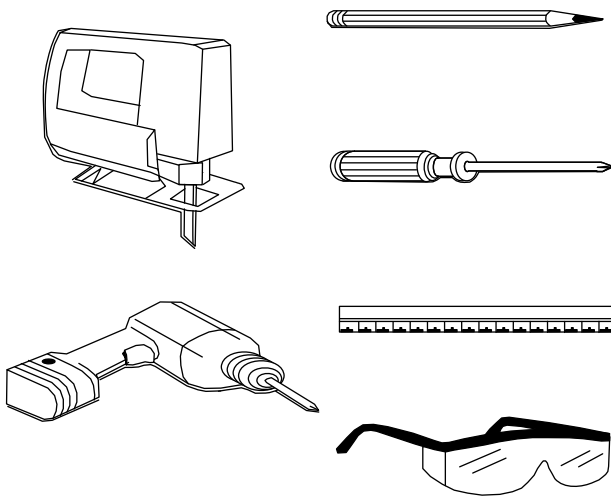
Soyez à deux personnes ou plus pour porter et installer la table de cuisson. Sinon, vous risquez de vous blesser au dos ou de subir d'autres blessures.

• **Risque de coupure**

Méfiez-vous des bords tranchants et des extrémités du polystyrène lorsque vous portez le produit. Sinon, vous risquez de vous couper ou de vous faire légèrement mal.

- Toujours consulter le fabricant du plan de travail pour les instructions spécifiques.
- Bien vérifier que le plan de travail est carré et à niveau et assurez-vous qu'aucun élément de structure n'interfère avec les exigences d'espace.
- Préparez la découpe selon les instructions (voir dimensions découpe).
- Bien vérifier que les éléments suspendus, le plan de travail et les meubles autour de la table.
- de cuisson résistent à la chaleur (jusqu'à 200 F / 93 C).

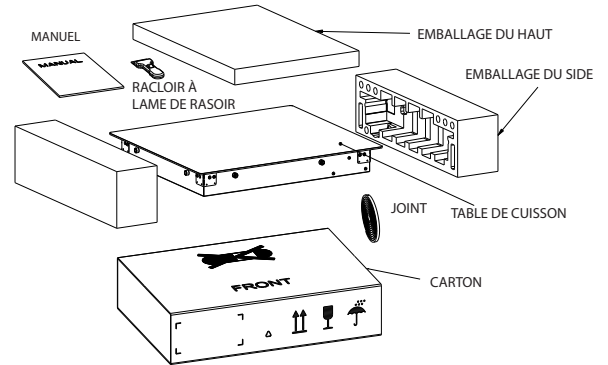
FIGURE 4 - LES OUTILS DONT VOUS AUREZ BESOIN



Étape 1

Enlevez les matériaux d'emballage et les manuels d'explication de la table de cuisson avant de commencer l'installation. Retirez les Instructions d'installation du manuel et lisez-les soigneusement avant de commencer.

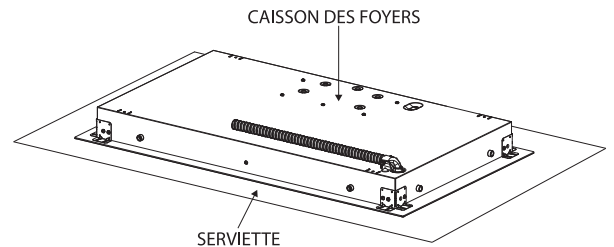
FIGURE 5 - PARTS



Étape 2

Placez un torchon ou une serviette sur le plan de travail. Posez la table de cuisson du haut vers le bas dans la surface protégée.

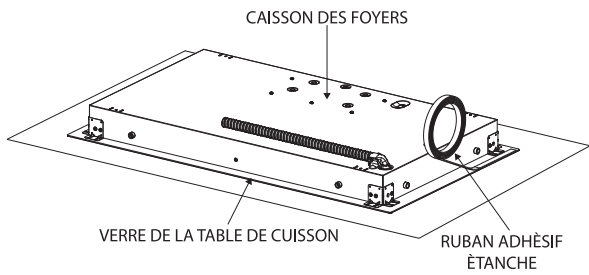
FIGURE 6



Étape 3

Un ruban adhésif est fourni pour assurer l'étanchéité entre les bords de la table de cuisson et les angles du plan de travail. Appliquez le ruban à environ 1/16" (1,5 mm) des angles en verre au dos du verre de la table de cuisson. Utilisez un ruban tout autour du périmètre du verre. Coupez le ruban en trop.

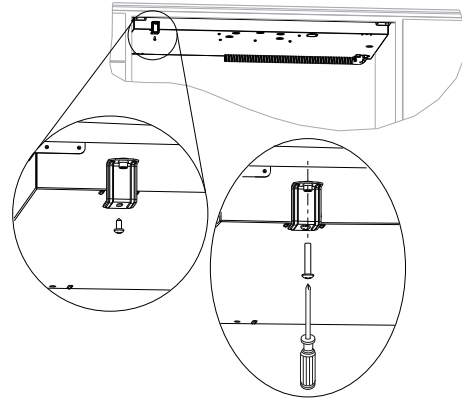
FIGURE 7



Étape 5

Quatre supports de fixation sont fournis pour accrocher la table de cuisson au plan de travail. Serrez les vis juste assez pour tenir en place les fixations lorsque la table de cuisson est mise dans la découpe. Serrez bien les vis.

FIGURE 9



Étape 4

Insérez la table de cuisson centre de l'ouverture de la découpe. Vérifiez que le bord avant du plan de travail est parallèle à la table de cuisson. Faites la dernière vérification que vous avez laissé tous les espaces nécessaires.

FIGURE 8

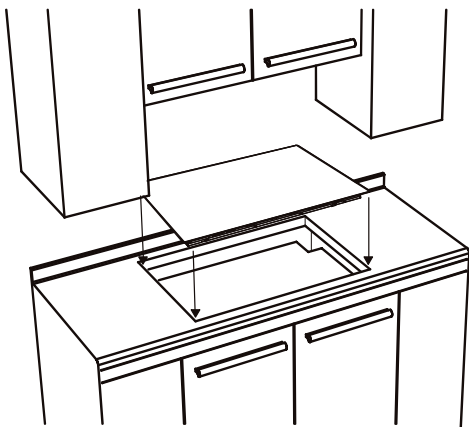
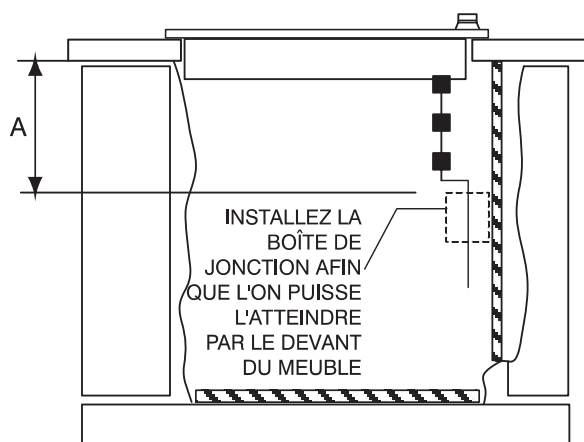


FIGURE 10 - OUVERTURE DES LIGNES ÉLECTRIQUES

A: 12" (30.5 cm) MIN. ENTRE LE BAS
DU PLAN DE TRAVAIL ET LE MEUBLE
CONTIGU (CÔTÉ DROIT)

**AVERTISSEMENT****LE CONDUIT A UNE LONGUEUR DE 3 PIEDS**

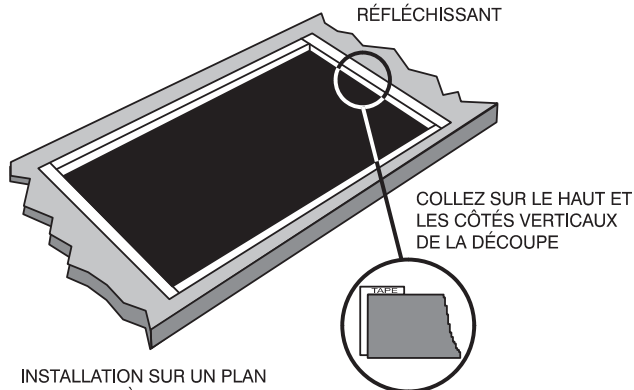
la boîte de jonction, doit être dans un endroit qui permette que le conduit pour l'entretien ait suffisamment de jeu.

**IMPORTANT**

- Pour les installations de matériau solide comme le Surei™ et le Corian®, consultez le fabricant de surface solide. Appliquez du ruban thermoréfléchissant comme le Scotch® feuille de ruban aluminium #425 ou #427 autour de la découpe de sorte qu'il déborde et se replie sur le dessus et les côtés.
- N'enveloppez pas le ruban endessous de la table de cuisson. Vérifiez bien que le ruban aille audelà du rebord le plus externe de la table de cuisson. Tous les angles doivent être recouverts par du ruban.

FIGURE 11

INDIQUE LES EMPLACEMENTS
DU RUBAN ADHÉSIF ALUMINIUM
RÉFLÉCHISSANT



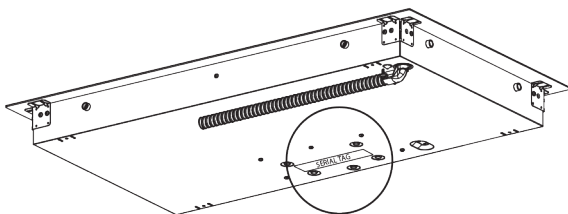
⚠ DANGER

Débranchez l'électricité avant de mettre en service le produit. Sinon, vous risquez de vous tuer ou de vous électrocuter.

Informations générales**⚠ AVERTISSEMENT**

Les modèles peuvent être actionnés à 240V ou à 208V.

Cette table de cuisson n'exige pas de branchement neutre. Si la table de cuisson doit être complètement fermée dans un meuble, alimentez le câble de la table de cuisson à travers l'ouverture du meuble. Faites les branchements électriques selon les étapes appropriées pour votre installation. Votre table de cuisson doit être connecté au voltage électrique correct et au fréquence spécifié à droite.

FIGURE 12 - NUMÉRO DE SÉRIE**Connexion uniquement avec un câble en cuivre**

Si la maison est pourvue d'un câblage aluminium, suivez la procédure suivante:

1. Raccordez le câblage aluminium au câble en cuivre en utilisant des raccords spéciaux conçus et venant de Underwriters Laboratories-listed pour joindre le cuivre à l'aluminium. Suivez les instructions recommandées du fabricant des raccords électriques.
2. La connexion aluminium/cuivre doit être conforme aux codes locaux et industriels acceptés pour les câblages.

Le conduit flexible conduit (fourni) de 3 pieds (100 cm) situé à l'arrière à droite sous le caisson de la table de cuisson doit être connecté directement à la boîte de jonction. Ne coupez pas le conduit. Un raccord de conduit U.L. - ou CSA- listed doit être posé à chaque extrémité du câble d'alimentation électrique (à la table de cuisson et à la boîte de jonction.) Un dispositif de surcharge ou un disjoncteur est recommandé.

Ne le branchez pas à un tuyau à gaz. Ne placez de fusible dans le branchement ou de circuit neutre.

Raccordez les deux lignes d'alimentation (phase).

⚠ AVERTISSEMENT

Une connexion incorrecte de l'installation électrique en aluminium au cuivre peut entraîner des problèmes graves.

Modèle	Alimentation électrique requise				Approval code
	240 V 60 Hz		208 V 60 Hz		
24" F7RT24*1	5,5kW	23,0A	4,10kW	20,0A	515Y4*V
30" F7RT30*1	5,5kW	23,0A	4,10kW	20,0A	515T40*V

National Fire Protection Association Batter/march Park Quincy, Massachusetts 02269

Il faut avoir une prise à trois fils, courant monophasé, système électrique de 240 volt 60 cycles (circuit protégé correctement pour être conforme aux codes locaux de NFPA No.70). L'appareil doit être correctement branché selon le code de câblage local. Le tableau cidessous recommande le protecteur de circuit minimum et la taille de câble minimum si l'appareil est le seul sur le circuit. Si des tailles de câble plus petites sont utilisées, l'efficacité de l'appareil sera réduite et un risque d'incendie est possible. Il est conseillé que le câblage électrique et le branchement soit mis en place par un électricien compétent.

⚠ ATTENTION

Cette commande par effleurement fonctionne selon la technologie du captage optique de la lumière.

Lors du premier branchement électrique ou après une coupure de courant, toute lumière forte atteignant directement la surface du capteur peut affecter le fonctionnement de la commande par effleurement.

Au moment de la mise sous tension de l'unité, veiller à ce qu'aucune lumière forte n'atteigne directement la surface de commande par effleurement, parce que cela risque de compromettre le calibrage du capteur de démarrage et d'insensibiliser la commande.

Minimum recommandé

Caractéristiques des kW sur plaques de série	Protection de circuit en ampères	Taille de câble (AWG)
0-4.8	20	12
4.9-6.9	30	10
7.0-9.9	40	8
10.0-11.9	50	8
12.0-14.9	60	6

Assurez-vous que votre installation est correctement installée et branchée par un technicien qualifié. Demandez à votre revendeur un technicien qualifié ou un service de réparation agréé. Cette table de cuisson n'exige pas de connexion neutre. Si la table de cuisson doit être complètement enfermée dans un meuble, posez le câble de la table de cuisson à travers l'ouverture du meuble. Faites les branchements électriques en suivant les étapes appropriées pour votre installation.

Cet appareil est fabriqué avec un conducteur de terre vert connecté au châssis du table de cuisson. Après vous être

assurer qu'il n'y a plus de courant, branchez le conduit flexible depuis le table de cuisson jusqu'au boîtier de raccordement en utilisant un connecteur de conduit U.L. listed. Les figures 13 et 14 et les instructions fournies présentant la manière la plus commune de brancher un table de cuisson. Vos codes locaux et règlements sont évidemment prioritaires sur ces instructions. Effectuez les connexions électriques conformément aux codes locaux et les règlements.



DANGER

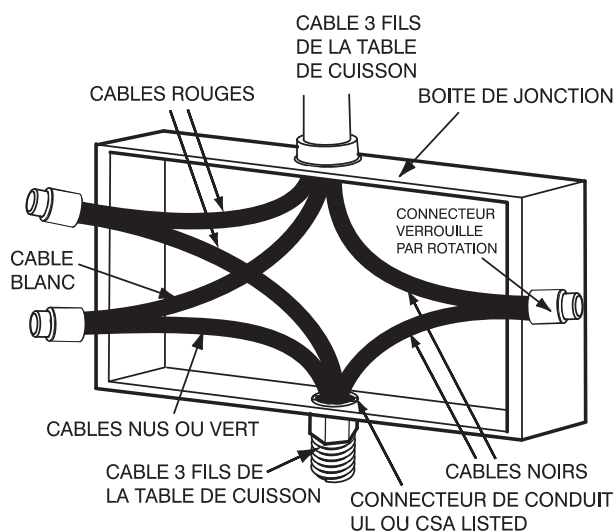
Risque d'électrocution, cadre à la masse à une position neutre d'un appareil par une liaison.

Connexion à 3 fils

Où les codes locaux (voir figure 13) permettent la connexion du conducteur de terre du four au fil neutre du circuit de branchement (fil gris ou coloré blanc):

1. Si les codes locaux le permettent, connectez le conducteur de terre vert du table de cuisson et le fil neutre du circuit de branchement (fil gris ou coloré blanc).
2. Connectez les broches de raccordement du table de cuisson aux broches de raccordement correspondantes dans le boîtier de jonction.

FIGURE 13



Si les règlements locaux ne permettent pas de branchement de conducteur à la masse de châssis au câble neutre (blanc) de la boîte de jonction (non utilisé pour les installations canadiennes)

Mettre à la masse par un conducteur neutre est interdit pour les nouvelles installations de circuit électrique (1996 NEC); les mobile homes; et les véhicules de parc, ou dans les régions où les codes locaux interdisent de brancher à la masse à travers un conducteur neutre.

Connexion à 4 fils

1. Connectez (voir figure 14) le conducteur de terre vert du table de cuisson au conducteur de terre dans le boîtier de jonction (câble nu ou coloré vert).
2. Connectez les broches de raccordement rouge et noir du table de cuisson aux broches de raccordement correspondantes dans le boîtier de raccordement.
3. Raccordez et isolez le câble neutre (gris ou blanc) à la boîte de jonction.

FIGURE 14

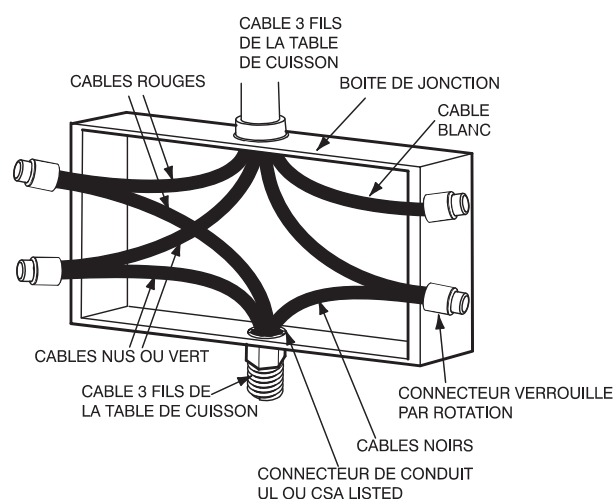


TABELA DE CONTENIDO	Página
1 - Advertencias Especiales	2
Antes de comenzar la instalación	2
2 - Dimensiones de Producto y de Encastre	3
Importantes Consejos de Preparación	4
3 - Instalación de la Placa de Cocción	5
4 - Conexiones Eléctricas	8
Informaciones generales	8
Utilice únicamente cableado de cobre	8
Circuito de conexión de 3 hilos	9
Circuito de conexión de 4 hilos	9

IMPORTANTE: Guarde estas instrucciones para el uso del inspector eléctrico local.

INSTALADOR: Por favor, deje este manual a propietario para futuras consultas.

PROPIETARIO: Por favor, conserve este manual para futuras consultas

Preste la debida atención a los siguientes símbolos que encontrará en el manual.



PELIGRO

Si no sigue estas instrucciones de forma INMEDIATA, puede correr peligro de muerte o de resultar gravemente herido.



ADVERTENCIA

- Este es el símbolo de los avisos relacionados con la seguridad: alerta sobre potenciales peligros que pueden derivar en muerte o daños a las personas.
- Si no sigue estas instrucciones, puede correr peligro de muerte o de resultar gravemente herido.

LEA Y CONSERVE ESTAS INSTRUCCIONES

Instalador:

Deje las instrucciones con el electrodoméstico.

Cliente:

Conserve las instrucciones como referencia futura.



ADVERTENCIA

- La inobservancia de las indicaciones recogidas en este manual puede derivar en muerte o en daños a las personas.
- No almacene ni utilice gasolina u otros vapores o líquidos inflamables cerca de este ni otro electrodoméstico.



Advertencias Especiales



Por favor, lea todas las instrucciones antes de utilizar este aparato

Efectuar una instalación adecuada es responsabilidad suya. Asegúrese de que el electrodoméstico es instalado por un técnico cualificado.



IMPORTANTE

- Cumpla todas las normativas y ordenanzas vigentes aplicables.
- Anote el número de serie y de modelo de la placa de cocción antes de instalarla. Ambos números se encuentran en la placa de serie de la base del electrodoméstico.

Antes de comenzar la instalación



ADVERTENCIA

Contactar con un instalador eléctrico cualificado es responsabilidad suya. Debe asegurarse de que la instalación eléctrica es adecuada y conforme con el código eléctrico nacional, AN- SI/NFPA 70 (última edición **) o con las normativas C22. 1-94, o con el Código eléctrico canadiense (Canadian Electrical Code), sección 0-M91 (última edición ***) y con todos los códigos y ordenanzas locales.

Puede obtener copias de las normas citadas en:

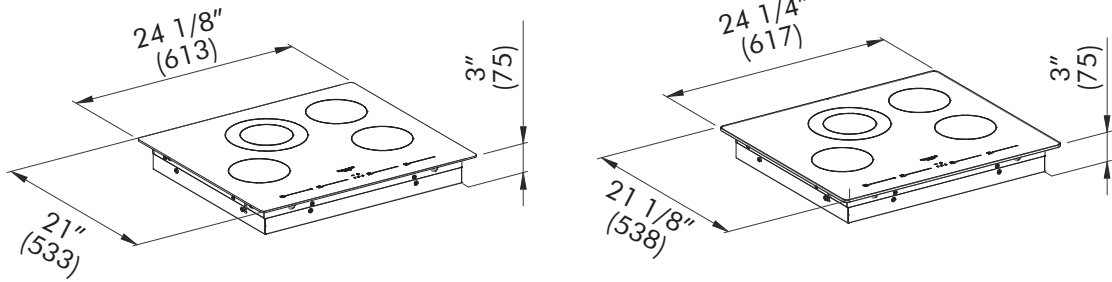
** National Fire Protection Association One Batterymarch Park Quincy, Massachusetts 02269

*** CSA International 8501 East Pleasant Valley Rd. Cleveland, OH 44131-5575

Para prevenir el riesgo de incendios por recalentamiento de superficies, es aconsejable evitar la colocación de armarios sobre la placa de cocción. Si desea colocar un armario sobre la placa, puede reducir el riesgo instalando una campana extractora que se superponga al armario (al menos 12,7 cm) y lo proteja.

FIGURA 1 - DIMENSIONES DE PRODUCTO

24'' - 24'' FRAME



30'' - 30'' FRAME

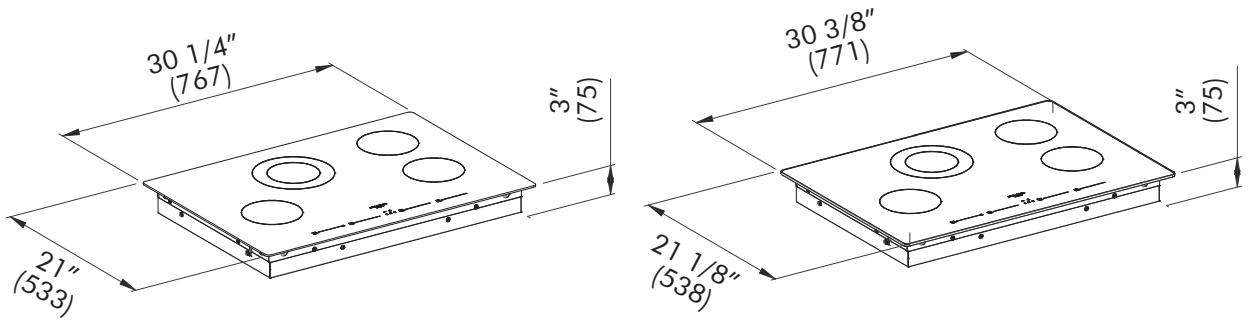


FIGURA 2 - DIMENSIONES DEL HUECO DE ENCASTE

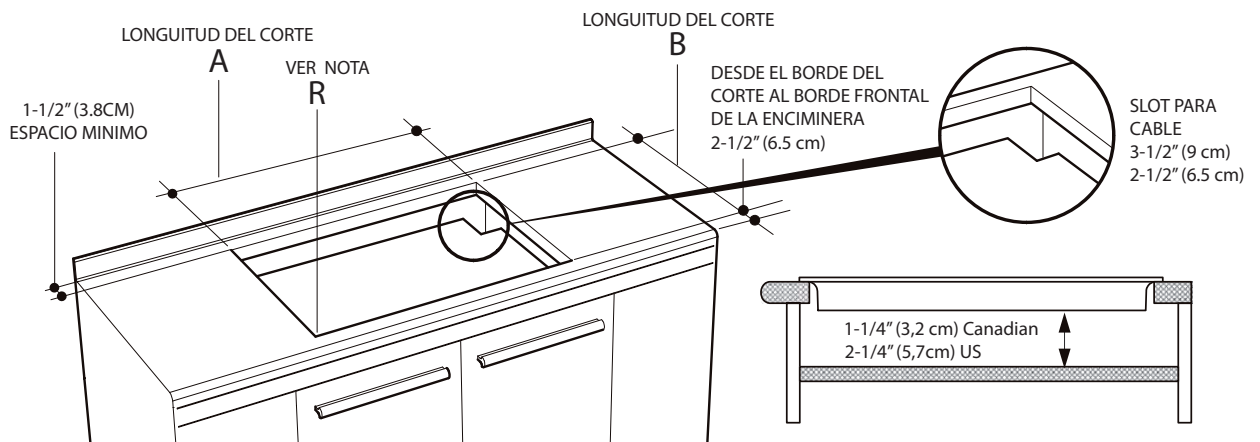
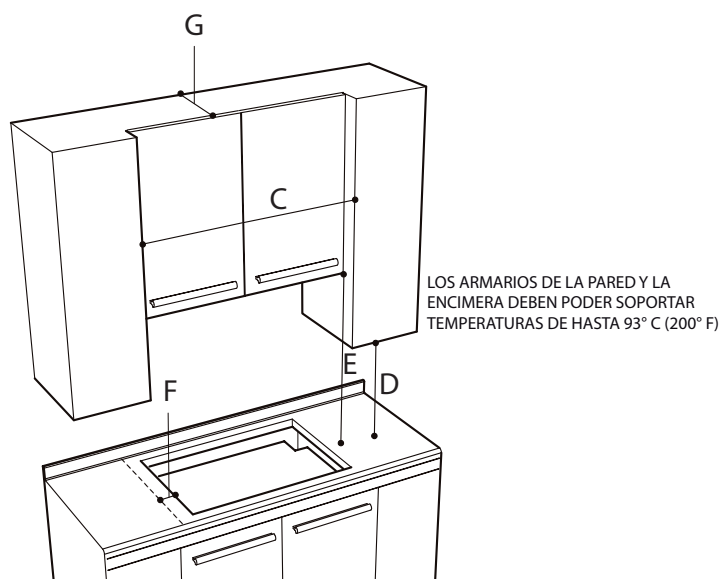


FIGURA 3 - REQUISITOS DEL HEUCO DE ENCASTRE



	24" (60 cm)	30" (76.2 cm)
A	22 5/8" (57.4 cm) 22 13/16" (58.0 cm)	28 11/16" (72.9 cm) 28 15/16" (73.5 cm)
B	19 1/4" (49.0 cm) 19 9/16" (49.7 cm)	19 1/4" (49.0 cm) 19 5/8" (49.8 cm)
C	24" (60 cm) min	30" (76.2 cm) min
D	18" (45.7 cm) min Distancia mínima desde la encimera hasta la base del armario más cercano en ambos lados de la placa	
E	30" (76.2 cm) min. (ver nota*) Espacio mínimo desde la encimera hasta una superficie no protegida	
F	2" (5 cm) Espacio mínimo desde el corte en los lados izquierdo y derecho de la placa	
G	13" (33 cm) Fondo de los armarios superiores no protegidos	

IMPORTANT:

Es necesario instalar bajo la encimera un panel de separación, como se muestra en la figura 2-3.

*** NOTA:**

- La distancia mínima podrá ser de 61 cm. si la base de madera o metal del armario está protegida como mínimo por 0,6 cm de cartón grueso resistente al fuego cubierto por una lámina de acero inoxidable de 28 MSG (mín. 0.04 cm), o de aluminio (0.06 cm) o de cobre (0.05 cm). Si la base del armario es de madera o metal sin protección, la distancia entre esta y la encimera será de 76,2 cm.

Importantes Consejos de Preparación

1. Bisele todos los bordes expuestos de laminado decorativo para evitar que se astille.
2. Redondee las esquinas recortadas y lijelas: los bordes deben quedar suaves para evitar que se resquebrajen las esquinas. Se recomienda utilizar un taladro con una broca de diámetro de 1/4 o 3/8 en cada esquina.
3. Los bordes ásperos, las esquinas interiores que no han sido redondeadas y forzar el acoplamiento de la placa pueden contribuir a resquebrajar el laminado de la encimera.

Esta placa de cocción ha sido diseñada para adaptarse a unas dimensiones de encastre estándar que permitan sustituirla con placas de otras marcas. Recomendamos que considere la dimensión mínima de encastre en caso de efectuar una nueva instalación. Algunas dimensiones de encastre para una eventual sustitución:

Dim.	Inches	cm
24"	22 13/16" x 19-9/16"	58,0 x 49,7
30"	28-15/16" x 19-9/16"	73,5 x 49,7

⚠ ADVERTENCIA

• **Peso excesivo**

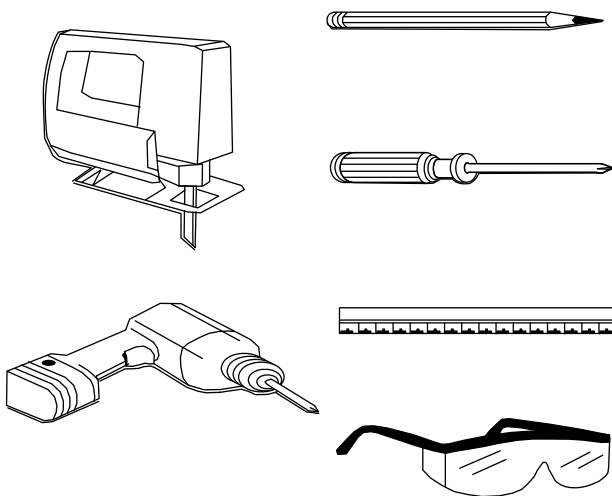
La placa de cocción debe ser transportada e instalada por dos o más personas. Si lo hiciera una sola persona, podría sufrir daños y lesiones en la espalda o en otras partes.

• **Peligro de corte**

Tenga cuidado con los bordes afilados. Utilice los complementos de poliestireno para trasladar el producto. Si no se presta atención, las personas que lleven a cabo la instalación podrían resultar heridas

- Consulte siempre con el fabricante de la encimera que le dará instrucciones específicas.
- Asegúrese de que la encimera está bien equilibrada y de que ningún elemento interfiera o limite las condiciones de espacio.
- Prepare los cortes de la encimera de acuerdo con las instrucciones (vea "Dimensiones de encastre").
- Asegúrese de que el revestimiento de la pared, la encimera y los armarios que rodeen la placa de cocción sean resistentes al calor (hasta 200 F / 93 C).

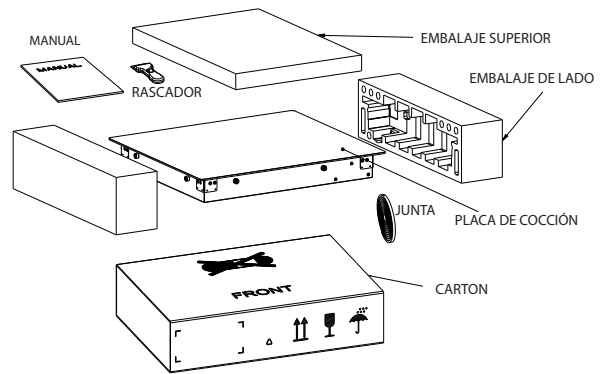
FIGURA 4 - HERRAMIENTAS NECESARIAS



Paso 1

Retire el embalaje y separe los manuales de instrucciones antes de comenzar la instalación. Lea atentamente el manual de instalación antes de comenzar.

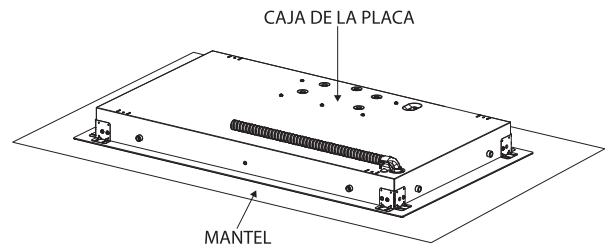
FIGURA 5 - PIEZAS



Paso 2

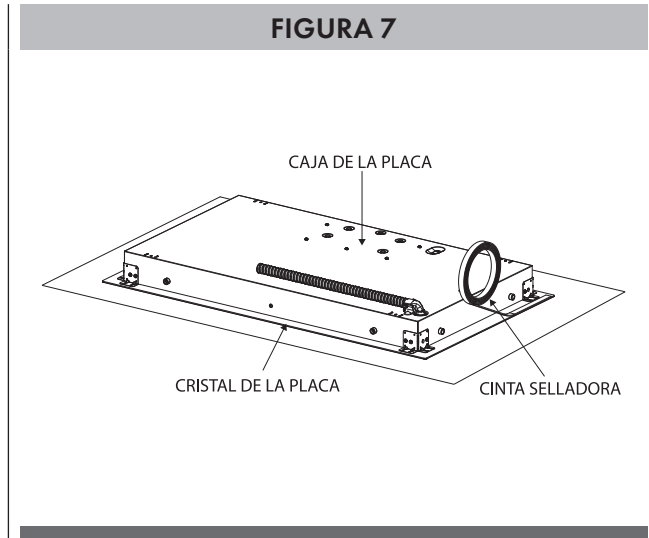
Coloque una toalla o un mantel sobre la encimera. Apoye la placa de cocción boca abajo sobre la superficie protegida.

FIGURA 6

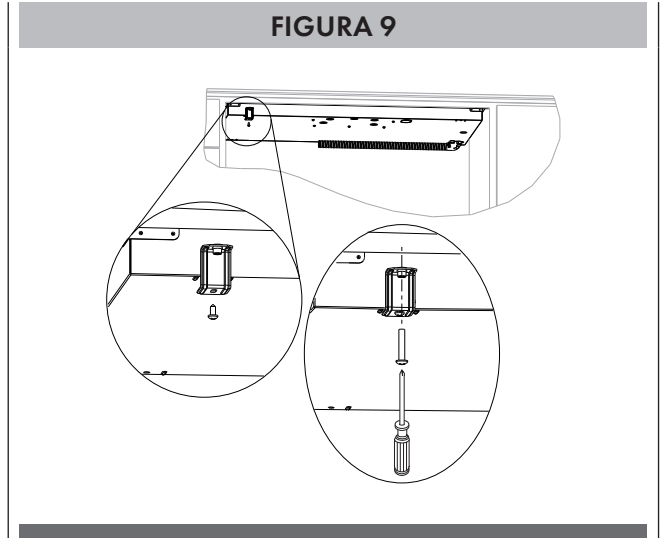


Paso 3

En el embalaje encontrará una cinta de espuma que sirve para sellar el perímetro de la placa de cocción. Aplique la cinta en la parte trasera de la placa de cocción, en todo el perímetro, aproximadamente a 1,5 mm del borde de cristal. Recorte los extremos sobrantes.

FIGURA 7**Paso 5**

En el embalaje encontrará también cuatro grapas de fijación. Apriete los tornillos solo lo necesario para mantenerlos en su posición mientras coloca la placa en el hueco. Apriete los tornillos hasta que queden bien asegurados.

FIGURA 9**Paso 4**

Inserte la placa de cocción bien centrada en el hueco de encastre. Asegúrese de que el borde frontal de la encimera esté paralelo a la placa. Compruebe que una vez instalada, la placa respeta las distancias de seguridad.

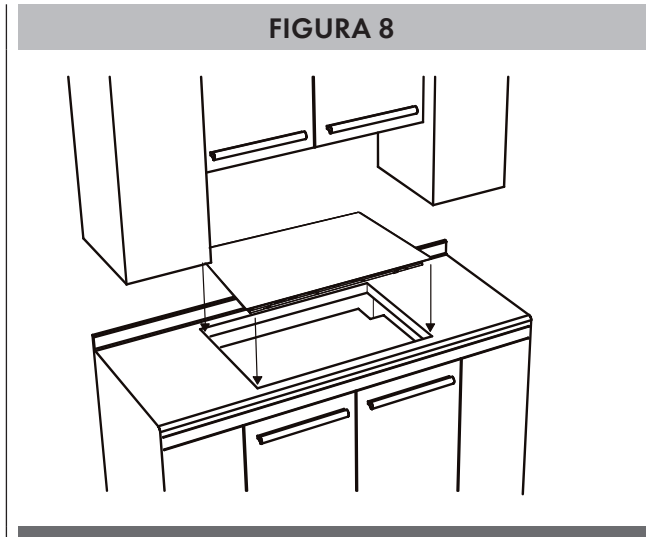
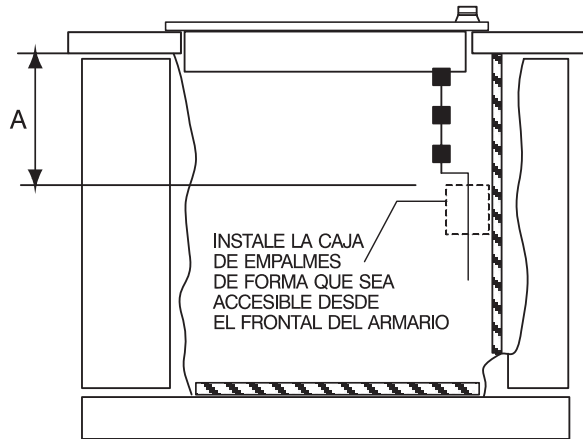
FIGURA 8

FIGURA 10 - ABERTURA CABLEADO ELÉCTRICO

A: 12" (30,5 cm) DISTANCIA MÍNIMA DESDE LA BASE DE LA ENCIMERA AL ARMARIO ADYACENTE (LADO DERECHO)

**ADVERTENCIA****EL CONDUCTO TIENE 100 CM DE LONGITUD**

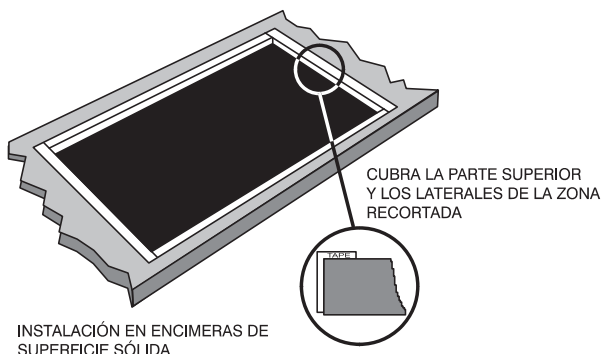
Para garantizar un buen mantenimiento del conducto, este no debe estar tirante: la ubicación de la caja de empalme debe darle una cierta holgura.

**IMPORTANTE**

- Para efectuar instalaciones en encimeras con superficie sólida (como Surei™ y Corian®), consulte con el fabricante de la encimera. Aplique cintas adhesivas de gran resistencia al calor, como la cinta de Aluminio Scotch® 425 o 427, alrededor del hueco, de forma que se doble sobre la encimera y los laterales.
- No pegue la cinta por debajo de la placa de cocción. asegúrese de que la cinta se extiende más allá del borde exterior de la placa de cocción. Todas las esquinas deben estar recubiertas con cinta.

FIGURA 11

MUESTRA LA UBICACIÓN DE LA CINTA DE ALUMINIO



⚠ PELIGRO

Desconecte la electricidad antes de instalar el producto. Si no lo hace, podría correr peligro de muerte o de sufrir una descarga eléctrica.

Informaciones generales

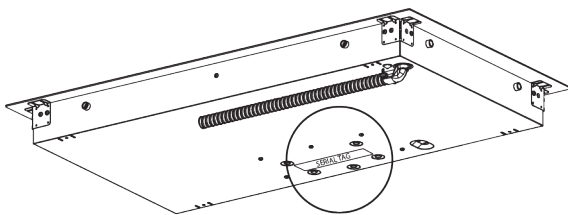
⚠ ADVERTENCIA

Los modelos se pueden accionar en 240V o 208V.

Esta placa de cocción no requiere conexión del neutro. Si va a colocar la placa en un armario, asegúrese de que en él hay una abertura para pasar el cable de alimentación. Efectúe la conexión eléctrica siguiendo los pasos adecuados para su instalación.

La placa debe estar conectada al voltaje y la frecuencia adecuados, tal y como se indica a la derecha.

FIGURA 12 - LOCACION NUMERO DI SERIE



Utilice únicamente cableado de cobre

Si su vivienda tiene cableado de aluminio, siga este procedimiento:

1. Conecte el cable de aluminio al cable de cobre utilizando los conectores específicos diseñados y garantizados por Underwriters Laboratories (UL) para conectar cobre y aluminio. Siga el procedimiento recomendado por el fabricante del conector eléctrico.
2. La conexión aluminocobre debe estar conforme con los códigos locales y con las prácticas industriales aprobadas.

El conducto flexible (suministrado con el producto) de 100 cm de longitud que se encuentra en la parte trasera derecha de la caja de la placa, debe conectarse directamente a la caja de empalme. No corte el conducto. Debe conectar un conector aprobado por UL o CSA en cada extremo del cable de alimentación (en la placa y la caja de empalme). Es recomendable instalar también un fusible de acción retardada o un diferencial. No utilice como toma de tierra una tubería de gas. No conecte la toma de tierra o el circuito neutro cerca de un fusible. Instale fusibles en las dos líneas (fases) de alimentación.

⚠ ADVERTENCIA

Una conexión inadecuada del cableado de aluminio al cableado de cobre puede provocar graves problemas.

Modelo	Alimentación				Approval code
	240 V 60 Hz		208 V 60 Hz		
24" F7RT24*1	5,5kW	23,0A	4,10kW	20,0A	515Y4*V
30" F7RT30*1	5,5kW	23,0A	4,10kW	20,0A	515T40*V

National Fire Protection Association Batter/march Park Quincy, Massachusetts 02269

Debe instalarse un sistema eléctrico de tres cables, una fase, 240 voltios y 60 ciclos, debidamente protegido conforme al código local de la NFPA n.º 70. La unidad debe conectarse adecuadamente a una toma de tierra de acuerdo con los códigos locales. La tabla que encontrará a continuación recoge las recomendaciones mínimas de protección del circuito y el calibre del cableado si el electrodoméstico es la única unidad del circuito. Si utiliza un calibre de cableado menor, la eficiencia de la unidad se vería reducida y podría provocar un riesgo de incendio.

Es recomendable que la conexión del cableado y del electrodoméstico sean efectuadas por un electricista cualificado.

⚠ ATENCIÓN

Este control táctil funciona según la tecnología del sensor óptico de la luz.

Durante la primera conexión eléctrica o después de un corte de energía, cualquier luz intensa que llegue directamente hasta la superficie del sensor puede modificar el funcionamiento del control táctil.

Cuando se enciende la unidad, es necesario asegurarse de que ninguna luz intensa llegue directamente hasta la superficie del control táctil, ya que podría comprometer la calibración del sensor de puesta en marcha e insensibilizar el control.

Mínimos recomendados		
Potencia (kW) placa de serie	Protección del circuito en amperes	Calibre del cable (AWG)
0-4.8	20	12
4.9-6.9	30	10
7.0-9.9	40	8
10.0-11.9	50	8
12.0-14.9	60	6

Asegúrese de que un técnico cualificado instale y conecte a tierra correctamente su aparato. Consulte con su vendedor para que le recomiende un técnico cualificado o un servicio de mantenimiento autorizado. Esta placa de cocción no requiere

conexión del neutro. Si va a colocar la placa en un armario, asegúrese de que en él hay una abertura para pasar el cable de alimentación. Efectúe la conexión eléctrica siguiendo los pasos adecuados para su instalación.

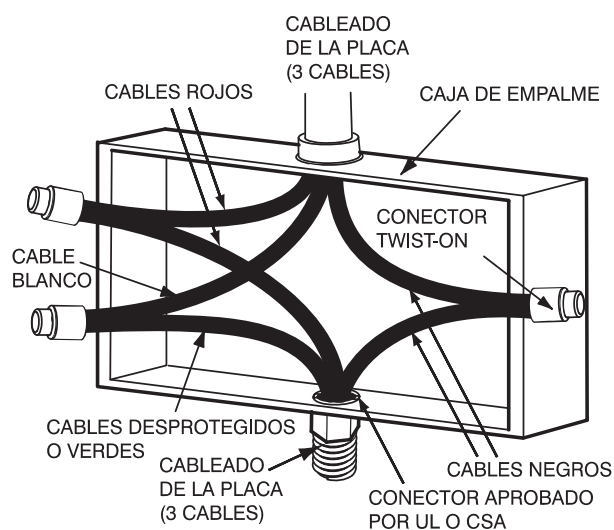
Este aparato está fabricado con un hilo verde de tierra conectado al bastidor de la placa de cocción. Después de haberse asegurado de que la corriente está desconectada, conecte el conducto flexible desde la placa de cocción hasta la caja de empalme usando un conector de conducto que figure en la lista U L. Las figuras 13 y 14 que aparecen debajo muestran las maneras más comunes para conectar la placa de cocción. Las disposiciones y las normas locales de su zona, por su puesto, tienen precedencia con respecto a estas instrucciones. Complete las conexiones eléctricas en conformidad con las normas y disposiciones locales.

Circuito de conexión de 3 hilos

Tome como referencia la figura 13, en la que las normas locales permiten conectar el hilo de toma de tierra desde la placa de cocción hasta el hilo de neutro del circuito (hilos de color gris o blanco):

1. Si las normas locales lo permiten, conecte el cable verde de tierra desde la placa de cocción y el cable de neutro del circuito de conexión (hilos de color gris o blanco).
2. Conecte los conductores rojo y negro desde la placa de cocción hasta los conductores correspondientes en la caja de empalme.

FIGURA 13



Si los códigos locales no permiten la conexión del conductor de tierra al cable neutro (blanco) de la caja de empalme (no aplicable a instalaciones canadienses)



PELIGRO

Riesgo de electrocución, marco conectado a tierra al neutro del aparato por medio de un enlace.

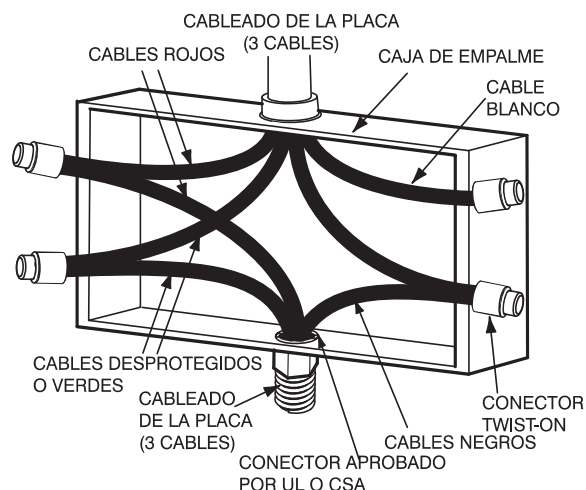
La puesta a tierra por medio de un conductor neutro está prohibida para las instalaciones de nuevos circuitos de conexión (1996 NEC); casas móviles, vehículos recreativos, o en áreas en donde las normas locales prohíben la conexión a tierra mediante un conductor de neutro.

Circuito de conexión de 4 hilos

Tome como referencia la figura 14.

1. Conecte el cable verde de tierra desde la placa de cocción al cable de tierra en la caja de empalmes (cable de color carne o verde).
2. Conecte los conectores rojo y negro desde el placa de cocción hasta los conectores correspondientes en la caja de empalme.
3. Conecte y aisle el cable neutro (gris o blanco) a la caja de empalme.

FIGURA 14



FULGOR
MILANO

— SINCE 1949 —