

# BUILT-IN FREEZER 30"

30" OVERLAY BUILT-IN FREEZER



CODE ID

**F7IFC3001-R** ( RIGHT HINGE )

CODE ID

**F7IFC3001-L** ( LEFT HINGE )



RIGHT HINGE



LEFT HINGE



Deep-freezing



Total No Frost



LED lighting



Integrated Installation



Holiday Mode



Ice Maker



Sabbath Mode

## Features

Our overlay column freezers are both powerful, elegant and provide commercial grade performance. Custom panels can be installed to provide a completely integrated look with adjacent cabinets and feature a brilliant white aluminum interior with metal bins on full extension stainless glides. All units feature an accessory ice maker, with food preservation being the priority. Combining elegant design and commercial quality, ensures optimal food preservation performance. A dedicated compressor and evaporator provide consistent and precise temperatures throughout.

## SPECIFICATIONS

Panel Ready Exterior  
Total No Frost  
Height adjustable glass shelves  
Metal freezer bins on stainless steel glides  
Icemaker with ice tray  
Luminous white interior  
Multilevel LED lighting

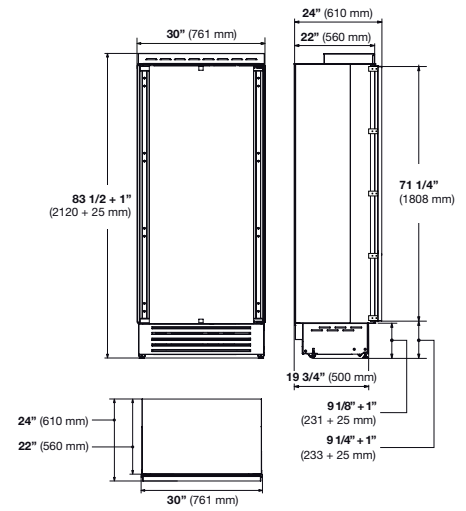
## OPTIONAL ACCESSORIES

REFHANDPROCOL  
Sofia Professional Handle Kit

REFHANDISCOL  
Distinto Handle Kit

# REFRIGERATION

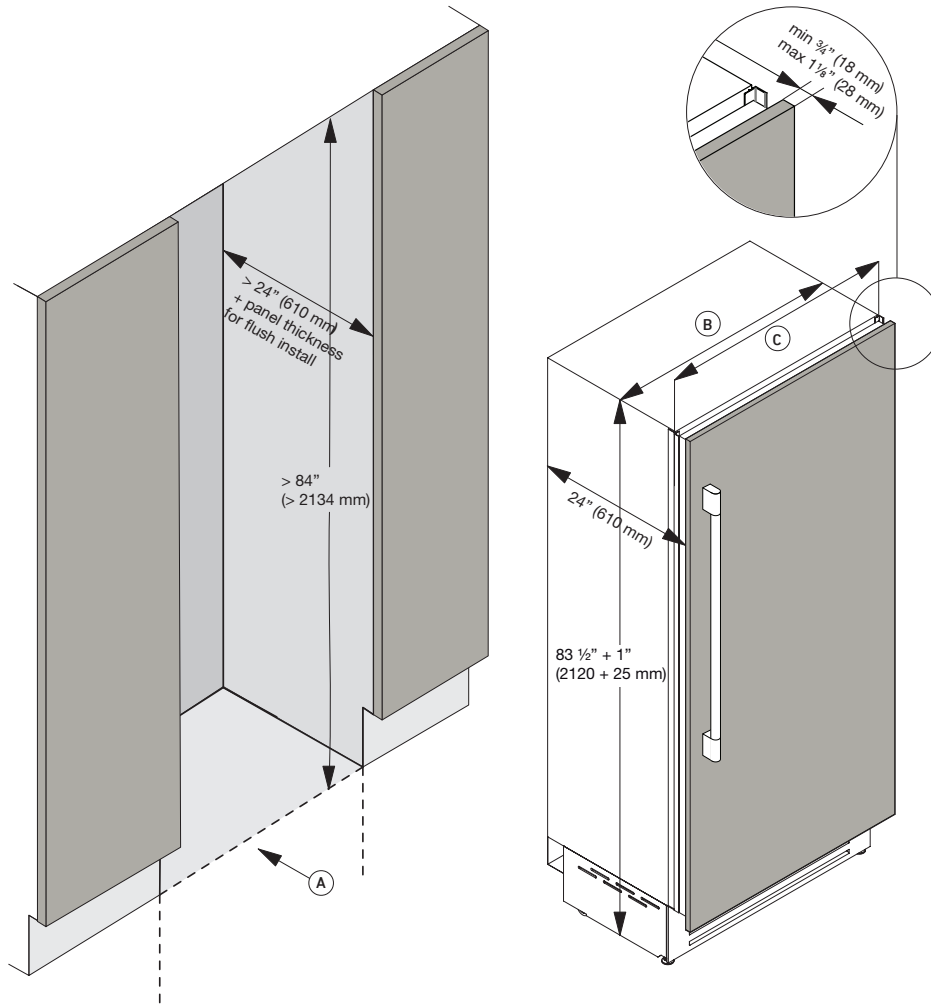
## BUILT-IN FREEZER COLUMN



CODE ID		30" OVERLAY BUILT-IN FREEZER F7IFC30O1-L (LEFT HINGE) F7IFC30O1-R (RIGHT HINGE)	
Finish	Panel Ready Exterior		
<b>PERFORMANCES/CAPACITY</b>			
Annual Energy Usage	598 kWh/yr		
Interior capacity (cbft)	16.87		
<b>FEATURES</b>			
Shelves	2		
Adjustable Door Shelves	2		
Freezer Drawers	4		
LED lighting	•		
Ice Maker	•		
Ice Maker production capacity	2.2 lbs / 24 hrs		
No Frost	•		
<b>DIMENSIONS/WEIGHT</b>			
Width in	30"	761 mm	
Height in	83 - 1/2"	2120 mm	
Depth without handle in	24"	610 mm	
Minimum niche height in	84 - 1/2"	2145 mm	
Door clearance in	52 - 5/8"	1338 mm	
Door opening angle	100°		
Net Weight	340 lbs	154 kg	
<b>POWER / RATINGS (115 V, 60 HZ)</b>			
Watts / Amps	327W - 3A		
Power Cable	Nema 5-15P		
<b>INSTRUCTIONS FOR USE</b>			
Use & Care Manual / Installation Manual	English / French / Spanish		

# BUILT-IN FREEZER 30"

NICHE SPECIFICATIONS AND DIMENSIONS



## TECHNICAL DATA

(A) Niche Width	30" (762 mm)
(B) Unit Width	29" (737 mm)
(C) Unit Width with lateral frames	30" (761 mm)

## ELECTRICAL AND WATER CONNECTIONS

