

30" MULTIFUNCTION SELF-CLEAN OVEN



CODE ID

OVEN 100 SERIES

F1SP30S3



-  True Convection
-  Self Clean Oven
-  Multi-level cooking
-  Cool Touch Door
-  Interior Lighting
-  Digital Controls

SPECIFICATIONS

OVEN

Knob and electronic controls
True Convection
Self-cleaning oven with Multifunction baking
Black Porcelain enamel interior
2 Halogen lights
Gross capacity 3.0 cu. ft.
2 chrome racks
Enameled Broiler Pan (basin + anti splash)

OVEN FUNCTIONS

Bake
Broil
Roast
Convection
True Convection
Dehydrate
Electronic cooking programmer
Self-Clean
Sabbath Mode

OPTIONAL ACCESSORIES

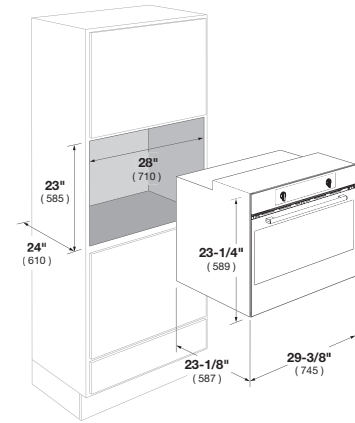
FMTR 130 Telescopic rack



This product meets ADA (Americans with Disabilities Act) requirements. Please check with your local municipality's codes and stipulations for additional details to ensure compliance.

DISTINTO

30" MULTIFUNCTION SELF-CLEAN OVEN



CODE ID	30" MULTIFUNCTION SELF-CLEAN OVEN F1SP30S3	
Series	100	
Finish	Stainless Steel	
CONTROL PANEL		
Control Type	Electronic	
Display: Clock - Timer - Temperature	White LED	
Language	English	
OVEN		
Type	Electronic	
Temperature Regulation	Electronic Control (min/max 120/485°F - 50/250°C)	
OVEN FUNCTIONS		
	Pyrolytic Self-Clean	Bake
	True Convection	Broil
	Convection Bake	Thaw (Defrost)
	Convection Broil	Oven Lights
	Convection Roast	
GAS OVEN FEATURES		
	Temperature Display °C/°F	
OVEN DOOR(S)		
Oven Glass Window	Large See Through Glass	
Door Cooling System	4 Heat Resistant Glasses	
Door Hinges	Heavy Duty Steady Tilt	
Handle Style	Tubular Steel	
OVEN CAVITY		
Gross Capacity (cbft)	3.0	
Usable Capacity (cbft)	2.8	
Cavity Enamel Color	Black	
Rack Positions	4	
Oven Lights	2x20W Halogen	
HEATING ELEMENTS (@240V)		
Broil Upper Heating Element	3100 W	
Upper Auxiliary Element	1032 W	
Lower Auxiliary Element	600 W	
Concealed Bake Lower Heating Element	1400 W	
Convection Element	2500 W	
OVEN ACCESSORIES		
Chrome Racks	2	
Enameled Broiler Pan (basin + anti splash)	1	
Telescopic Chrome Rack	Optional	
DIMENSIONS/WEIGHT		
Overall dim - Width	29 - 3/8"	745 mm
Overall dim - Height	23 - 3/16"	589 mm
Overall dim - Depth	22 - 1/16"	560 mm
Cut-out - Width	28"	710 mm
Cut-out - Height (min)	23"	585 mm
Cut-out - Depth (min)	24"	610 mm
Gross Weight	148 lbs	67 kg
POWER / RATINGS (208/240 V, 60 HZ)		
kW / Amps rating at 120-240V, 60Hz	3.63kW - 15.6A	
kW / Amps rating at 120-208V, 60Hz	3.53kW - 17.4A	
Power Cable	Conduit	
INSTRUCTIONS FOR USE		
Use & Care Manual / Installation Manual	English / French / Spanish	