

24" MULTIFUNCTION SELF-CLEANING OVEN



CODE ID

700 SERIES OVEN

F7SP24S1



CREACTIVE COOKING SYSTEM



True Convection



Multi-level cooking



Automatic Cooking



Self-Cleaning Oven



Nickel-free Enamel

SPECIFICATIONS

OVEN

15 cooking modes
Automatic cooking with preselected and customizable recipes (weight, temperature, cooking time)
Sabbath Mode
BOOST to rapidly reach the pre-selected temperature
PYROLYSIS Self-cleaning

SAFETY

Cool door with 4-pane glass
2-speed tangential cooling ventilation
Keypad and door safety lock function
Smoke catalyst

FEATURES

Control panel with touch controls
Dual convection fan
Black Porcelain enameled interior
Internal lighting
Internal capacity 2.6 cu.ft.

INCLUDED ACCESSORIES

1 wide enameled tray with anti-splash insert
2 flat grill racks
Power cable

OPTIONAL ACCESSORIES

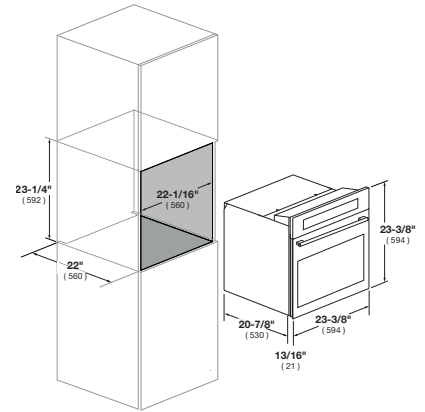
FMTELG 24" Telesc. Guides



This product meets ADA (Americans with Disabilities Act) requirements. Please check with your local municipality's codes and stipulations for additional details to ensure compliance.

DISTINTO

24" MULTIFUNCTION SELF-CLEANING OVEN



CODE ID	24" MULTIFUNCTION SELF-CLEANING OVEN F7SP24S1	
Series	700 - PYRO	
Finish	Stainless Steel	
CONTROL PANEL		
Programming	MODULAR - Electronic	
Automatic Cooking	•	
Auto power off	•	
OVEN		
Type	Electronic	
Interiors	Black Enamel	
Pull-down Door	•	
MAIN FEATURES		
Gross Capacity (cu.ft)	2.6	
Usable Capacity (cu.ft)	2.4	
Tangential cooling ventilation	•	
Total no. of modes	15	
PERFORMANCE		
Maximum cooking temperature	250° C	
Automatic Cooking	•	
Defrosting /Time/Weight)	•	
Sabbath Mode	•	
Assisted Cleaning (CLEAN)	•	
Power Output Grill (W)	3450	
SAFETY		
Door with Safety Lock	•	
Safety Door/ no. Panes of Glass	•/4	
Control Lock	•	
ACCESSORIES		
No. of Lights (20 W halogen)	1	
No./Type of Gastronorm Trays	1 / Black Enamel	
Grey Metal Flat/no. of Supports	5	
DIMENSIONS / WEIGHT		
Width in/mm	23 - 3/8"	594 mm
Height in/mm	23 - 3/8"	594 mm
Depth in/mm	21 - 7/8"	556 mm
Recess (LxHxP) in/mm	(22 - 1/6" x 23" x 22 - 1/6")	(560 x 595 x 560 mm)
POWER / RATINGS		
KW/Amps rating at 240V, 60Hz	3.40kW - 14.2A	
KW/Amps rating at 208V, 60Hz	2.50kW - 12A	
Power Cord	Cable + Conduit	
INSTRUCTIONS FOR USE		
Use & Care Manual / Installation Manual	English / French / Spanish	