

24" COMBI STEAM OVEN



CODE ID

700 SERIES OVEN

F7SCO24S1



CREACTIVE COOKING SYSTEM



Steam Cooking



Steam Limescale Filter



Fingerprint-proof Stainless Steel



Automatic Cleaning Programs



Meat Probe



Stainless Steel Racks



Multi-level Cooking



True Convection

SPECIFICATIONS

OVEN

12 functions
Automatic cooking with pre-selected recipes which can be customizable (weight, temperature, cooking time)
Steam system
Combined cooking functions
Steam recovery cycle
CLEAN, assisted cleaning cycle for oven interior and steam circuit

FEATURES

Control panel with touch controls
Magnetic water filter
Stainless steel interior
Internal lighting
Internal capacity 1.2 cu.ft
Steam Generator

SAFETY

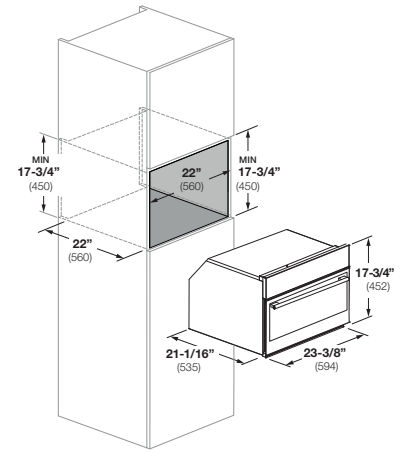
Safety door - Door contact switch
Control panel safety function
Tangential cooling fan

INCLUDED ACCESSORIES

Meat probe
1 micro-perforated pan with stainless steel cover
1 stainless steel tray
1 flat rack
Water tank
Power cord with plug

DISTINTO

24" COMBI STEAM OVEN



CODE ID	24" COMBI STEAM OVEN F7DSCO24S1	
Series	700	
Finish	Stainless Steel	
CONTROL PANEL		
Programming	MODULAR - Electronic	
Control Type	Single Full Touch Keyboard	
Automatic Cooking	•	
Auto power off	•	
OVEN		
Type	Steam Oven	
Interiors	Stainless Steel	
Pull-down Door	•	
MAIN FEATURES		
Gross Capacity (cu.ft)	1.2	
Usable Capacity (cu.ft)	1.0	
Tangential cooling ventilation	•	
Total no. of modes	12	
PERFORMANCE		
Maximum cooking temperature	230°C / 446°F	
Automatic Cooking	•	
Steam 210°F / 270°F	•	
Steam Injection 210°F	•	
Steam + Fan Assisted	•	
Assisted Cleaning (CLEAN)	•	
Power Output Grill (W)	1500	
Oven Lights	1x20W Halogen	
Broil Upper Heating Element	1500W (240V)	
Steamer	1500W (240V)	
Lower Element Wattage	300W (240V)	
Convection Element Wattage	2300W (240V)	
SAFETY		
Safety Door/ no. Panes of Glass	•/3	
Control Lock	•	
ACCESSORIES		
No. of Lights (20 W halogen)	1	
Removable tank (liters / fl oz)	1.4 / 45	
No./Type of Gastronorm Trays	2 / Stainless Steel	
Grey Metal Flat/no. of Supports	1 / 1	
DIMENSIONS / WEIGHT		
Width in/mm	23 - 3/8"	594 mm
Height in/mm	17 - 3/4"	452 mm
Depth in/mm	21 - 1/2"	546 mm
Recess (LxHxP) in/mm	(23 - 3/8" x 18" x 22")	(560 x 458 x 560 mm)
POWER / RATINGS		
KW/Amps rating at 240V, 60Hz	3.3kW - 13.7A	
KW/Amps rating at 208V, 60Hz	2.48kW - 11.9A	
Power Cord	Cable + Conduit	
INSTRUCTIONS FOR USE		
Use & Care Manual / Installation Manual	English / French / Spanish	