



# Double Wall Ovens

FFET3025P S/W/B

30" Electric



## Signature Features

### Even Baking Technology

Our Even Baking Technology ensures even baking every time.

### Large Capacity

Two large capacity ovens give you room to cook more at once.

### Self-Cleaning

Both ovens clean themselves — so you don't have to. Self clean options available in 2, 3, and 4-hour cycles.

### Vari-Broil™ Option

Allows you to choose between two heat levels.

### Product Dimensions

Height	50-7/16"
Width	30"
Depth	24-3/4"

### More Easy-To-Use Features

#### Ready-Select® Controls

Easily select options or control cooking temperature with our easy-to-use controls.

#### Delay Clean Option

Set the oven to begin cleaning on your schedule.

#### Bright Lighting

Our bright lighting makes it easy to see what's inside.

#### Timed Cook Option

Lets you set the oven to begin cooking at a predetermined time.

#### Auto Shut-Off

As an extra safety measure, the ovens will automatically shut off after 12 hours.

#### Attractive Stainless Steel Exterior<sup>1</sup>

#### Built with American Pride

Appliances that are high-performing, more accessible, and more innovative than ever—designed, built, and engineered in the U.S.A.

#### Extra-Large Window

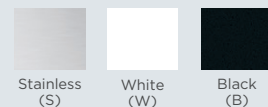
Our extra-large oven window lets you easily see what's inside.

#### Oven Rack Handles

Oven racks are designed with space for you to easily pull out the racks, even when wearing an oven mitt.

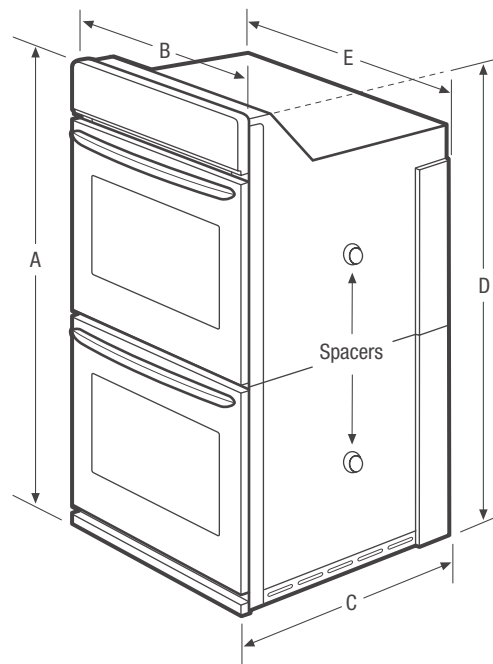
Sabbath Mode (Star-K® Certified)

#### Available in:



<sup>1</sup>Select models only.

<b>Features</b>	
Oven Control/Timing System	Ready-Select*
Windows	Extra-Large
Exterior Door Finish	Stainless Steel (S), Color-Coordinated (W/B)
Handle Design	Stainless Steel (S), Color-Coordinated (W/B)
Oven Cleaning System	Self-Clean
<b>Oven Controls</b>	
Bake/Broil	Yes/Variable (400 - 550 °F)
Convection Conversion	
Convection Bake/Broil/Roast	
Quick Bake Convection	
PowerPlus®/Quick Preheat	
My Favorite	
Slow Cook	
Effortless™ Temperature Probe	
Chicken Nugget Button	
Pizza Button	
Keep Warm	Yes
Add-a-Minute	
Delay Start	Yes
Self-Clean/Clean Options	Yes/2, 3, 4 Hours
Steam Clean	
Delay Clean	Yes
Kitchen Timer	Yes
Timed Cook Option	Yes
Control Lock	Yes
Auto Oven Shut-Off	12 Hours
Oven Lock-Out	Yes
<b>Upper Oven Features</b>	
Capacity (Cu.Ft.)	4.6
Convection System	
Oven Light	1 Halogen
Hidden Bake Element	Yes
Rack Configuration	2 Handle Racks
Baking System	Even Baking Technology
Broiling System	Vari-Broil™
Bake/Broil Element (Watts)	2,000/3,400
<b>Lower Oven Features</b>	
Capacity (Cu.Ft.)	4.6
Convection System	
Oven Light	1 Halogen
Hidden Bake Element	Yes
Rack Configuration	2 Handle Racks
Baking System	Even Baking Technology
Broiling System	Vari-Broil™
Bake/Broil Element (Watts)	2,000/3,400
<b>Optional Accessories</b>	
3"-High Bottom Trim - Stainless Steel (S)/White (W)/Black (B)	(S) PN# 318259707 (W) PN# 318259703 (B) PN# 318259704
10'-Long Armored Power Cable	PN# 903056-9010
<b>Certifications</b>	
A.D.A. Compliant	
Sabbath Mode (Star-K® Certified)	Yes
<b>Specifications</b>	
Oven Interior (H x W x D)	17-1/2" x 24-1/8" x 18-3/4"
Power Supply Connection Location	Left Bottom Rear
Voltage Rating	240V / 208V / 60Hz
Connected Load (kW Rating) @ 240/208 Volts <sup>1</sup>	7.4/5.6
Amps @ 240/208 Volts	30.8/26.9
Minimum Circuit Required (Amps)	40
Shipping Weight (Approx.)	280 Lbs.



NOTE: For planning purposes only. Always consult local and national electric codes. Refer to Product Installation Guide for detailed installation instructions on the web at [frigidaire.com](http://frigidaire.com).



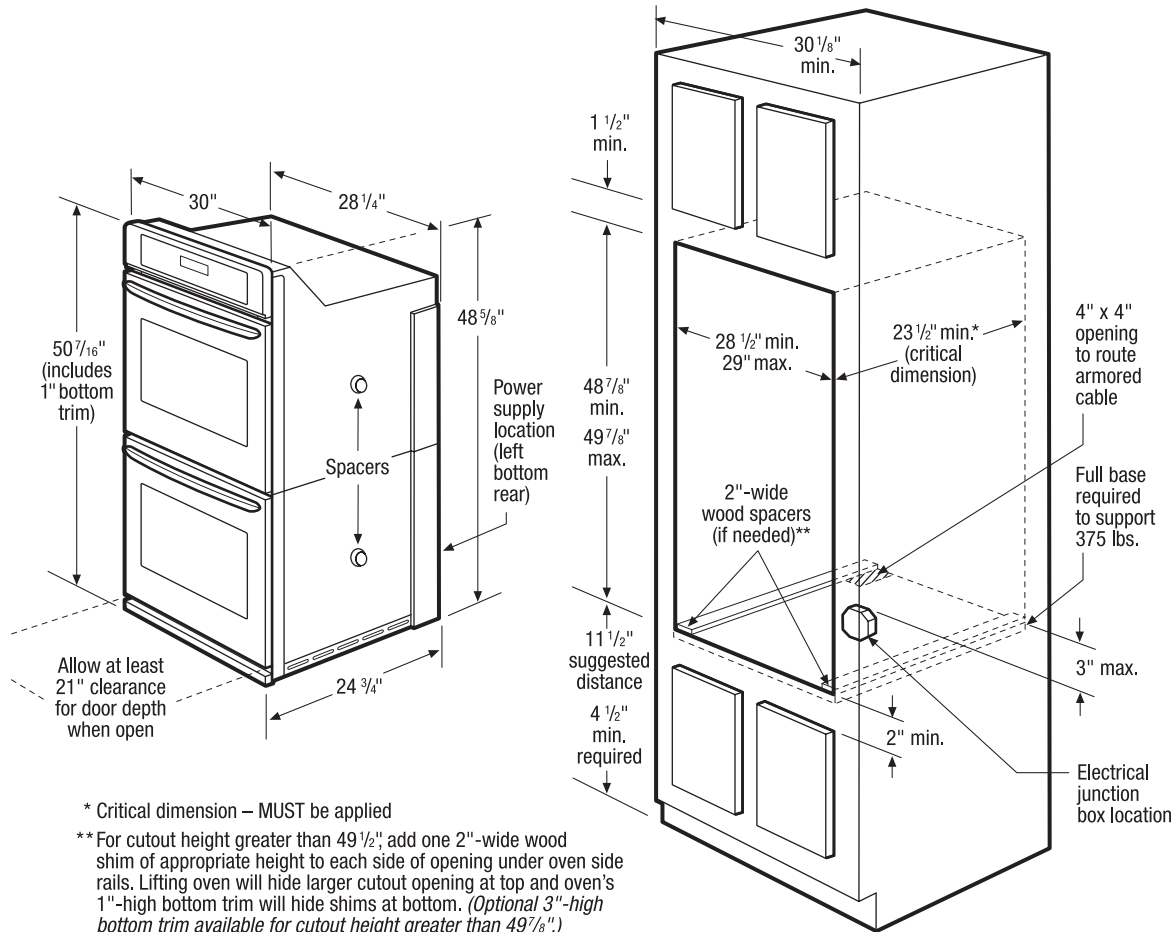
Product Dimensions		Cutout Dimensions	
A - Height	50-7/16"	Height (Min.)	48-7/8"
B - Width	30"	Height (Max.)	49-7/8"
C - Depth	24-3/4"	Width (Min.)	28-1/2"
D - Height (Wrapper)	48-5/8"	Width (Max.)	29"
E - Width (Wrapper)	28-1/4"	Depth (Min.)	23-1/2"
Depth with Door Open 90°	45-3/4"		

<sup>1</sup>Single phase 3- or 4-wire cable, 120 / 240 or 120 / 208 Volt, 60 Hertz AC only electrical supply with ground required on separate circuit fused on both sides of line.

Accessories information available on the web at [frigidaire.com](http://frigidaire.com)

FRIGIDAIRE

USA • 10200 David Taylor Drive • Charlotte, NC 28262 • 1-800-FRIGIDAIRE • [frigidaire.com](http://frigidaire.com)  
 CANADA • 5855 Terry Fox Way • Mississauga, ON L5V 3E4 • 1-800-265-8352 • [frigidaire.ca](http://frigidaire.ca)



**Double Wall Oven Specifications**

- Product Shipping Weight (approx.) - 280 Lbs.
- Single phase 3- or 4-wire cable, 120/240 or 120/208 Volt, 60 Hertz AC only electrical supply with ground required on separate circuit fused on both sides of line.
- Connected Load (kW Rating) @ 240/208 Volts = 7.4/5.6kW
- Amps @ 240/208 Volts = 30.8/26.9 Amps
- Recommended Circuit Breaker - 40 Amps
- Always consult local and national electric codes.
- Minimum 21" clearance for oven door depth when open.
- Suggested distance from floor is 11-1/2". Minimum required distance is 4-1/2".
- Minimum 23-1/2" deep cutout dimension is critical for proper installation, to ensure that oven's faceplate will fit flush against cabinet front.

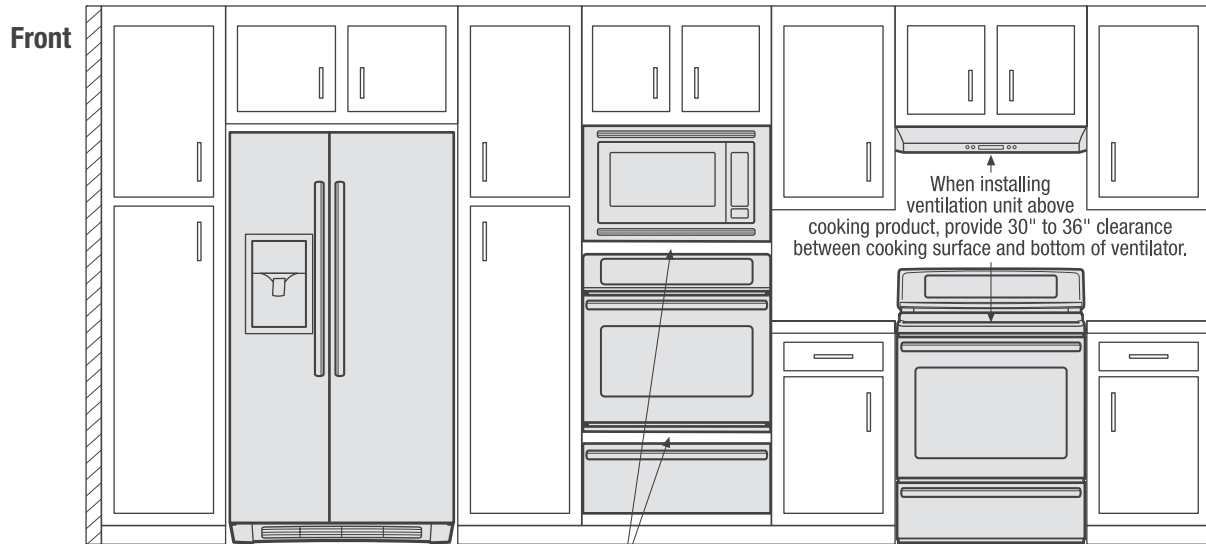
- To adapt oven to fit cutout height greater than 49-1/2", add one 2"-wide wood shim of appropriate height to each side of opening under oven side rails. Lifting oven will hide larger cutout opening at top and oven's 1"-high bottom trim will hide shims at bottom. (Standard 1"-High Bottom Trim included.)
- To adapt oven to fit cutout height greater than 49-7/8", optional 3"-High Bottom Trim available.
- Full oven base of solid plywood or similar material required, capable of supporting 375 Lbs.
- Base must be level and cabinet front must be square.
- Double Wall Oven is NOT approved to be used in stackable or side-by-side installation.

**Note:** For planning purposes only. Refer to Product Installation Guide on the web at [frigidaire.com](http://frigidaire.com) for detailed instructions.

**Optional Accessories**

- 3"-High Stainless Steel Bottom Trim - (PN# 318259707).
- 3"-High White Bottom Trim - (PN# 318259703).
- 3"-High Black Bottom Trim - (PN# 318259704).
- 10'-Long Armored Power Cable - (PN# 903056-9010).

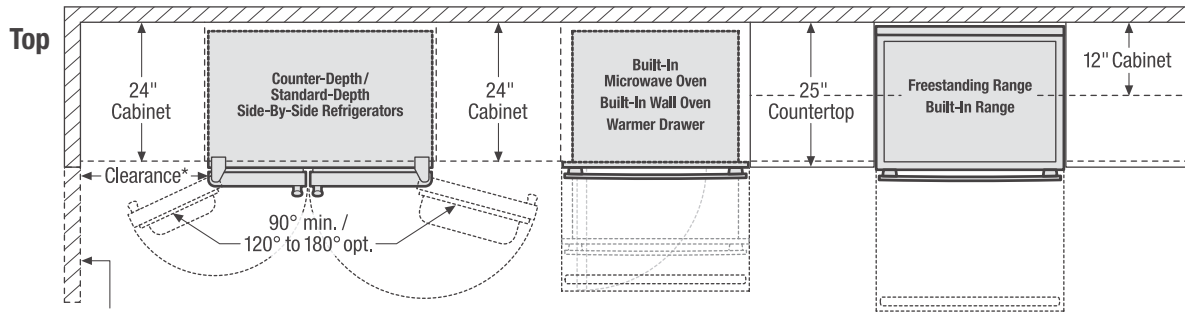
Use these dimensions and clearance instructions for planning purposes only. For detailed installation instructions, refer to installation guide, packed with product, or on the web at frigidaire.com.



When installing built-in cooking appliances in combination, 2"-high minimum visible gap between appliance faceplates required.

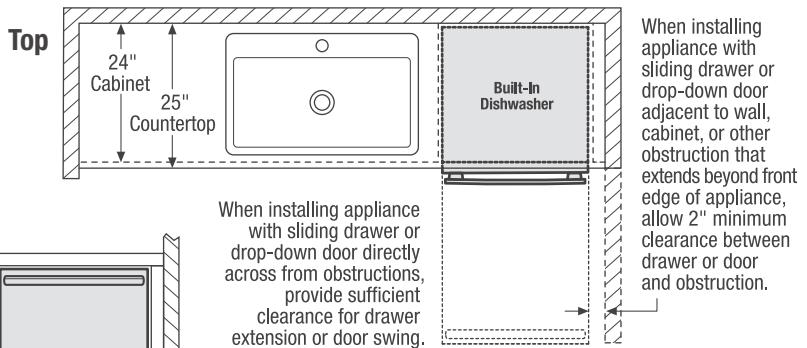
When installing ventilation unit above cooking product, provide 30" to 36" clearance between cooking surface and bottom of ventilator.

Clearance information for cooking appliances, provided in specific product's installation guide.

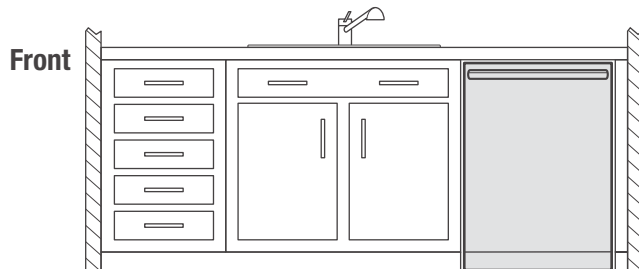


\*When installing side-by-side refrigerator adjacent to wall, cabinet or another appliance that extends beyond front edge of unit, 20" minimum clearance recommended to allow for optimum 120° to 180° door swing, providing complete drawer/crisper access and removal. (Absolute 4-1/2" minimum clearance will ONLY allow for 90° door swing which will provide limited drawer/crisper access with restricted removal.)

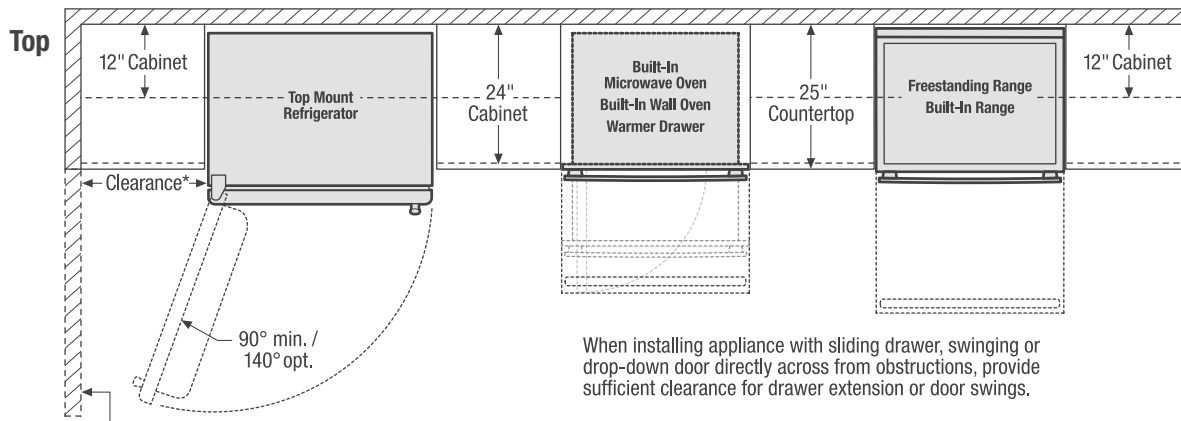
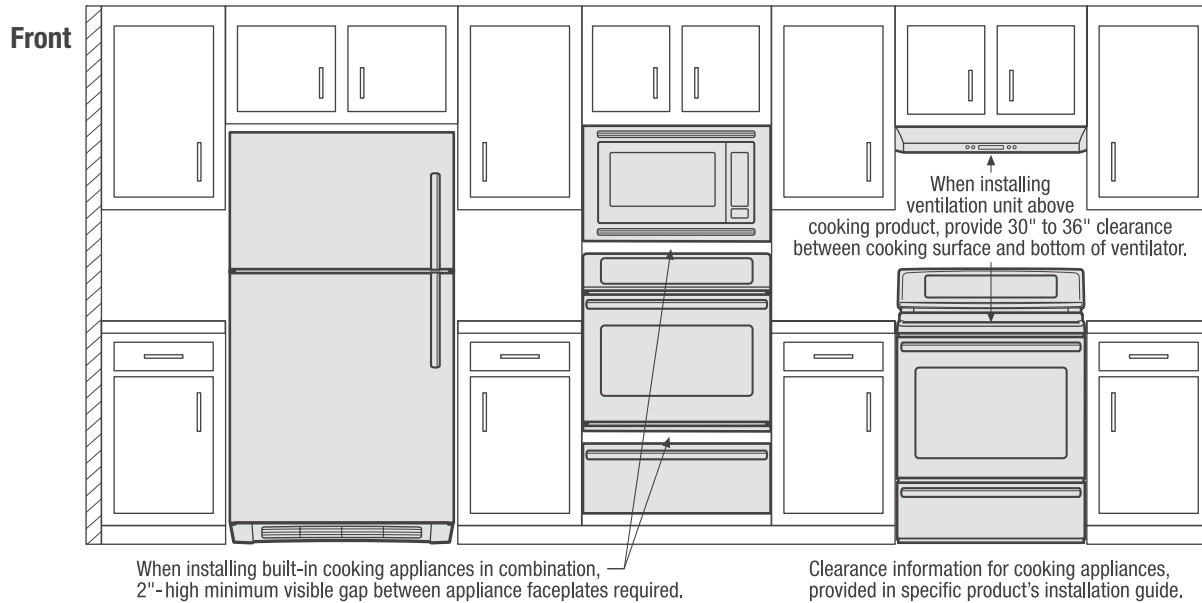
When installing appliance with sliding drawer, swinging or drop-down door directly across from obstructions, provide sufficient clearance for drawer extension or door swings.



When installing appliance with sliding drawer or drop-down door directly across from obstructions, provide sufficient clearance for drawer extension or door swing.



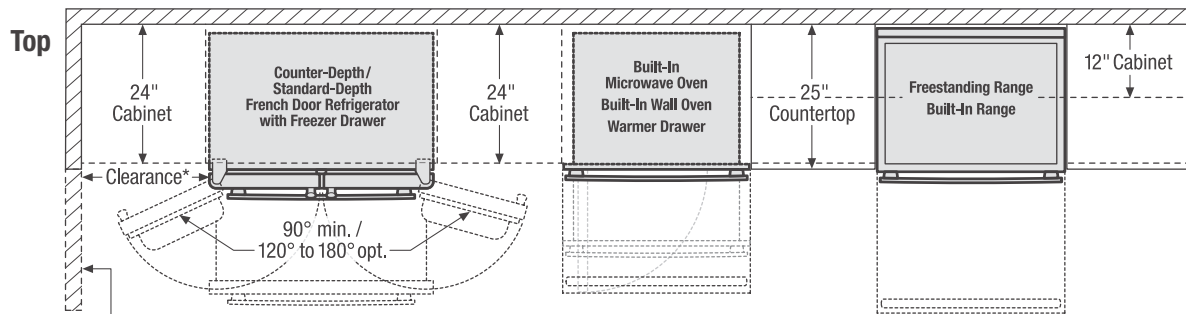
Use these dimensions and clearance instructions for planning purposes only. For detailed installation instructions, refer to installation guide, packed with product, or on the web at frigidaire.com.



\*When installing top mount refrigerator adjacent to wall, cabinet or other appliance that extends beyond front edge of unit, 20" minimum clearance recommended to allow for optimum 140° door swing, providing complete crisper access and removal. (Absolute 3" minimum clearance will ONLY allow for 90° door swing which will provide limited crisper access with restricted removal.)



Use these dimensions and clearance instructions for planning purposes only. For detailed installation instructions, refer to installation guide, packed with product, or on the web at [frigidaire.com](http://frigidaire.com).



\*When installing French door refrigerator adjacent to wall, cabinet or another appliance that extends beyond front edge of unit, 20" minimum clearance recommended to allow for optimum 120° to 180° door swing, providing complete drawer/crisper access and removal. (Absolute 4-1/2" minimum clearance will ONLY allow for 90° door swing which will provide limited drawer/crisper access with restricted removal.)

When installing appliance with sliding drawer, swinging or drop-down door directly across from obstructions, provide sufficient clearance for drawer extension or door swings.



Use these dimensions and clearance instructions for planning purposes only. For detailed installation instructions, refer to installation guide, packed with product, or on the web at [frigidaire.com](http://frigidaire.com).

