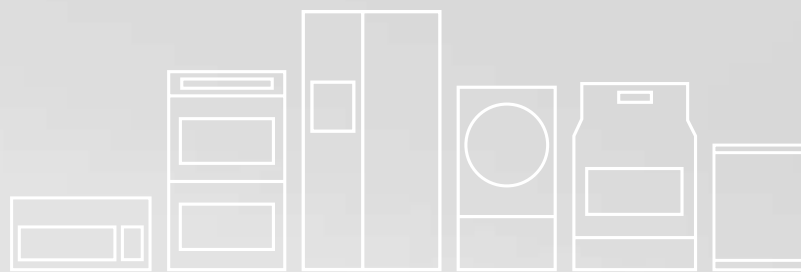


FRIGIDAIRE

All about the

Installation, Use & Care

of your Range Hood



USA 1-800-944-9044
www.frigidaire.com

Canada 1-800-265-8352
www.frigidaire.ca

LI30KC / 316902495
May/13

PRODUCT RECORD AND REGISTRATION

CONTENTS

| | |
|---|----|
| Important Safety Instructions | 3 |
| List of materials | 5 |
| Electrical requirements | 5 |
| Location requirements | 6 |
| Product dimensions | 6 |
| Venting Requirements | 7 |
| Prepare the location | 8 |
| Install Range Hood (Ducted version) | 10 |
| Make Electrical Connection | 12 |
| Installing Range Hood (Recirculating version) | 10 |
| Range Hood Use | 13 |
| Range Hood Care | 14 |
| Troubleshooting | 15 |
| Warranty Information | 16 |

Be sure to visit us online at
www.frigidaire.com
for a complete line of accessories.

Thank you for choosing **Frigidaire**.

This Use & Care Guide is part of our commitment to customer satisfaction and product quality throughout the service life of your new appliance. We view your purchase as the beginning of a relationship. To ensure our ability to continue serving you, please use this page to record important product information.

Need help??

Visit the Frigidaire web site at www.frigidaire.com

Before you call for service, there are a few things you can do to help us serve you better.

Read this Use & Care manual.

It contains instructions to help you use and maintain your range properly.

If you received a damaged range Hood...

immediately contact the dealer (or builder) that sold you the range hood.

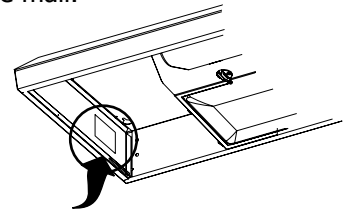
Save time and money.

Check the "Troubleshooting" list. This section helps step you through some common problems that might occur. If you do need service, help is only a phone call away. Call Frigidaire Customer Services at **1-800-944-9044**.

Product Registration

Registering your product with Frigidaire enhances our ability to serve you. You can register online at **www.frigidaire.com** or by dropping your Product Registration Card in the mail.

Serial Plate Location



Serial plate location:
Find it on the left side of the range hood.

Record model & serial numbers here

Purchase date

Model number

Serial number

IMPORTANT SAFETY INSTRUCTIONS

Read all instructions before using this appliance.

Save these instructions for future references

Approved for residential appliances

For residential use only

Do not attempt to install or operate your appliance until you have read the safety precautions in this manual. Safety items throughout this manual are labeled with a WARNING or CAUTION based on the risk type.

!This is the safety alert symbol. It is used to alert you to potential personal injury hazards. Obey all safety messages that follow this symbol to avoid possible injury or death.

! WARNING

This symbol alerts you to situations that may cause serious body harm, death or property damage.

! CAUTION

CAUTION indicates a potentially hazardous situation which, if not avoided, may result in minor or moderate injury.

➔ IMPORTANT

IMPORTANT indicates installation, operation, maintenance or valuable information that is not hazard related.

IMPORTANT SAFETY INSTRUCTIONS

! CAUTION

FOR GENERAL VENTILATING USE ONLY. DO NOT USE TO EXHAUST HAZARDOUS OR EXPLOSIVE MATERIALS OR VAPORS.

! WARNING

TO REDUCE THE RISK OF FIRE, ELECTRIC SHOCK, OR INJURY TO PERSONS, OBSERVE THE FOLLOWING:

- A. Use this unit only in the manner intended by the manufacturer. If you have questions, contact the manufacturer
- B. Before servicing or cleaning the unit, switch power off at service panel and lock service panel disconnecting means to prevent power from being switched on accidentally. When the service disconnecting means cannot be locked, securely fasten a prominent warning device, such as a tag, to the service panel.
- C. Installation Work and Electrical Wiring Must Be Done By Qualified Person(s) In Accordance With all Applicable Codes & Standards, Including Fire-rated Construction.
- D. Sufficient air is needed for proper combustion and exhausting of gases through the flue (Chimney) of fuel burning equipment to prevent back-drafting. Follow the heating equipment manufacturers guideline and safety standards such as those published by the National Fire Protection Association (NFPA), the American Society for Heating, Refrigeration and Air Conditioning Engineers (ASHRAE), and the local code authorities.
- E. When cutting or drilling into wall or ceiling, do not damage electrical wiring and other hidden utilities.
- F. Ducted systems must always be vented to the outdoors.

! CAUTION

To reduce risk of fire and to properly exhaust air, be sure to duct air outside - do not vent exhaust air into spaces within walls, ceilings, attics, crawl spaces, or garages.

! WARNING

TO REDUCE THE RISK OF FIRE, USE ONLY METAL DUCT WORK.

Install this hood in accordance with all requirements specified.

IMPORTANT SAFETY INSTRUCTIONS

WARNING

To Reduce The Risk Of Fire Or Electric Shock, Do Not Use This Hood With Any External Solid State Speed Control Device.

WARNING

TO REDUCE THE RISK OF A RANGE TOP GREASE FIRE.

- a) Never leave surface units unattended at high settings. Boilovers cause smoking and greasy spillovers that may ignite. Heat oils slowly on low or medium settings.
- b) Always turn hood ON when cooking at high heat or when flambeing food (I.e. Crepes Suzette, Cherries Jubilee, Peppercorn Beef Flambe').
- c) Clean ventilating fans frequently. Grease should not be allowed to accumulate on fan or filter.
- d) Use proper pan size. Always use cookware appropriate for the size of the surface element.

WARNING

TO REDUCE THE RISK OF INJURY TO PERSONS, IN THE EVENT OF A RANGE TOP GREASE FIRE, OBSERVE THE FOLLOWING:

- a) **SMOTHER FLAMES** with a close - fitting lid, cookie sheet, or other metal tray, then turn off the gas burner or the electric element.
- BE CAREFUL TO PREVENT BURNS.** If the flames do not go out immediately, **EVACUATE AND CALL THE FIRE DEPARTMENT.**
- b) **NEVER PICK UP A FLAMING PAN** - you may be burned.
- c) **DO NOT USE WATER**, including wet dishcloths or towels - a violent steam explosion will result.
- d) Use an extinguisher **ONLY** if:
 - 1) You know you have a class ABC extinguisher, and you already know how to operate it.
 - 2) The fire is small and contained in the area where it started.
 - 3) The fire department is being called.
 - 4) You can fight the fire with your back to an exit.

OPERATION

Always leave safety grills and filters in place. Without these components, operating blowers could catch onto hair, fingers and loose clothing.

The manufacturer declines all responsibility in the event of failure to observe the instructions given here for installation, maintenance and suitable use of the product. The manufacturer further declines all responsibility for injury due to negligence and the warranty of the unit automatically expires due to improper maintenance.

LIST OF MATERIALS

Parts included in your hood

- 4 - 0.45 x 1.3 cm mounting screws
- 3¼" x 10" (8.3 x 25.4 cm) rectangular metal vent system.

NOTE: An optional 7" round duct kit is available. You can order this kit as part number 5304487139.

Parts Needed

- 2 - UL listed wire connectors
- 1 - 75W max, 120V incandescent light bulb
- Wall or roof cap with damper to match vent system
- Vent clamps/duct tape as required
- UL listed or CSA approved ½" strain relief

Tools/Materials required

- Drill
- 1¼" (3.0 cm) drill bit
- ⅛" (0.3 cm) drill bit for pilot holes
- Pencil
- Wire stripper or utility knife
- Tape measure or ruler
- Caulking gun and weatherproof caulking compound
- Flat-blade screwdriver
- Phillips screwdriver
- Saber or keyhole saw

For cabinets with recessed bottoms:

- Two 2" (5.1 cm) wide filler strips. Length and thickness determined by recess dimensions.
- Four flat head wood screws or machine screws with washers and nuts (to attach filler strips).

ELECTRICAL REQUIREMENTS

Observe all governing codes and ordinances.

Ensure that the electrical installation is adequate and in conformance with National Electrical Code, ANSI/NFPA 70 (latest edition), or CSA Standards C22.1-94, Canadian Electrical Code, Part 1 and C22.2 No. 0-M91 (latest edition) and all local codes and ordinances.

If codes permit and a separate ground wire is used, it is recommended that a qualified electrician determine that the ground path is adequate.

A copy of the above code standards can be obtained from:

National Fire Protection Association

One Batterymarch Park
Quincy, MA 02269

CSA International

8501 East Pleasant Valley Road
Cleveland, OH 44131-5575

- A 120 volt, 60 Hz., AC only, 15-amp, fused electrical circuit is required.
- If the house has aluminum wiring, follow the procedure below:
 1. Connect a section of solid copper wire to the pigtail leads.
 2. Connect the aluminum wiring to the added section of copper wire using special connectors and/or tools designed and UL listed for joining copper to aluminum.

Follow the electrical connector manufacturer's recommended procedure. Aluminum/copper connection must conform with local codes and industry accepted wiring practices.

- Wire sizes and connections must conform with the rating of the appliance as specified on the model/serial rating plate.
The model/serial plate is located on the left side of the range hood.
- Wire sizes must conform to the requirements of the National Electrical Code, ANSI/NFPA 70 (latest edition), or CSA Standards C22.1-94, Canadian Electrical Code, Part 1 and C22.2 No. 0-M91 (latest edition) and all local codes and ordinances.

LOCATION REQUIREMENTS

IMPORTANT

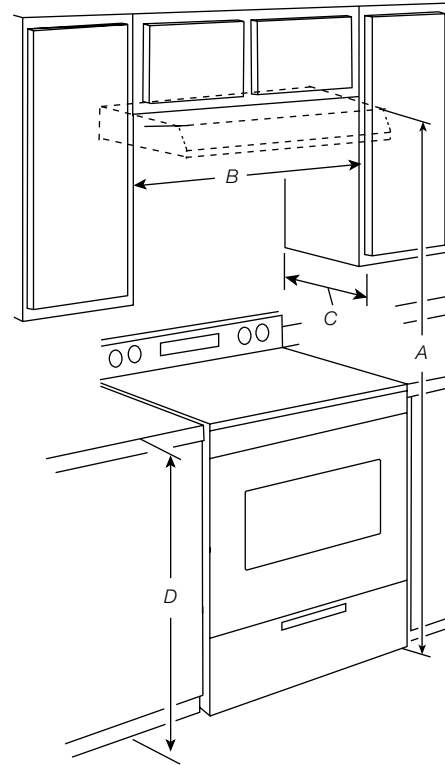
Observe all governing codes and ordinances.

- It is the installer's responsibility to comply with installation clearances specified on the model/serial rating plate. The model/serial rating plate is located inside the range hood on the left side (See page 2 for location). Range hood location should be away from strong draft areas, such as windows, doors and strong heating vents.
- Cabinet opening dimensions that are shown must be used. Given dimensions provide minimum clearance. Consult the cooktop/range manufacturer installation instructions before making any cutouts.
- Grounded electrical outlet is required. See "Electrical Requirements" section.
- All openings in ceiling and wall where canopy hood will be installed must be sealed.

For Mobile Home Installations

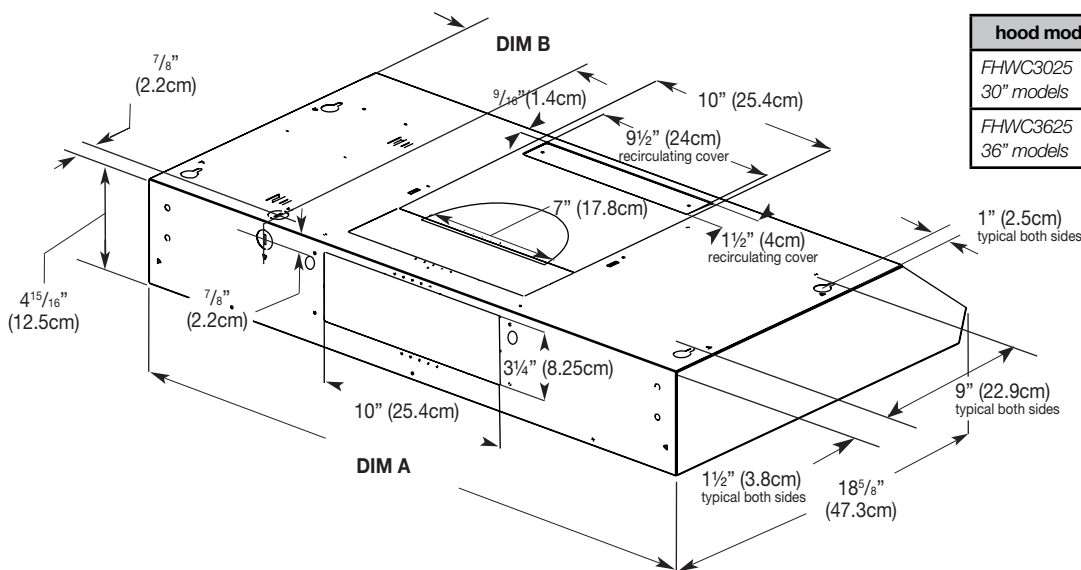
The installation of this range hood must conform to the Manufactured Home Construction Safety Standards, Title 24 CFR, Part 328 (formerly the Federal Standard for Mobile Home Construction and Safety, Title 24, HUD, Part 280) or when such standard is not applicable, the standard for Manufactured Home Installation 1982 (Manufactured Home Sites, Communities and Setups) ANSI A225.1/NFPA 501A, or latest edition, or with local codes.

Cabinet Dimensions



- A. 66" (167 cm) suggested min. - top of range hood to floor.
- B. 30" (76.2 cm) min. cabinet opening width for 30" (76.2 cm) models and 36" (91.4 cm) min. cabinet width for 36" (91.4 cm) models.
- C. 13" (33.0 cm) cabinet depth
- D. 36" (91.4 cm) base cabinet height

PRODUCT DIMENSIONS



| hood model | Dim A | Dim B |
|------------------------|----------------|--|
| FHWC3025 30" models | 30" (76.2 cm) | 6 ⁹ / ₁₆ " (16.7 cm) |
| FHWC3625 36" models | 36" (91.44 cm) | 9 ¹ / ₂ " (24.3 cm) |

VENTING REQUIREMENTS

- Vent system must terminate to the outdoors.
- Do not terminate the vent system into an attic or other enclosed area.
- Do not use a 4" (10.2 cm) laundry-type wall cap.
- Use a 3¼" x 10" (8.3 x 25.4 cm) rectangular metal vent. Rigid metal vent is recommended. Plastic or metal foil vent is not recommended.
- The length of vent system and number of elbows should be kept to a minimum to provide efficient performance.

For the most efficient and quiet operation:

- Use no more than three 90° elbows.
- Make sure there is a minimum of 24" (61 cm) of straight vent between the elbows if more than 1 elbow is used.
- Do not install 2 elbows together.
- Use clamps or duct tape to seal all joints in the vent system.
- The vent system at exit must have a cold air damper.
- Use caulking to seal exterior wall or roof opening around the cap.
- Best performances are reached with straight piping, without elbows and using smooth pipe.
- Maximum recommended vent system length: 35 ft (10.7m).

Cold Weather Installations

An additional back draft damper should be installed to minimize backward cold air flow and a thermal break should be installed to minimize conduction of outside temperatures as part of the vent system. The damper should be on the cold air side of the thermal break.

The break should be as close as possible to where the vent system enters the heated portion of the house.

Makeup Air

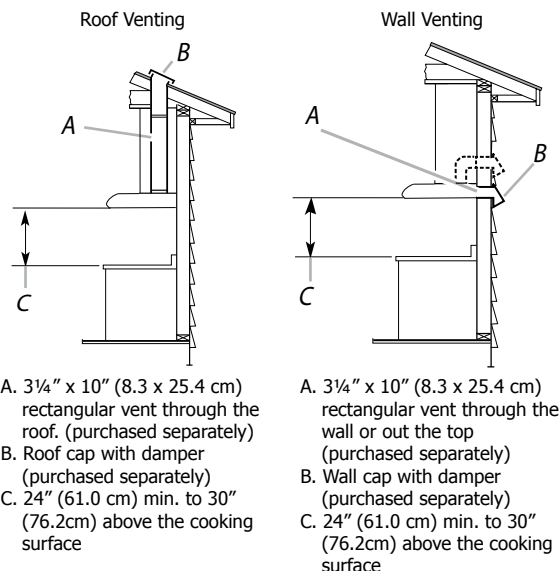
Local building codes may require the use of makeup air systems when using ventilation systems greater than specified CFM of air movement. The specified CFM varies from locale to locale. Consult your HVAC professional for specific requirements in your area.

Venting Methods

Vent system can terminate either through the roof or wall. Use 3¼" x 10" (8.3 x 25.4 cm) rectangular with a maximum vent length of 35 ft (10.7 m) or 7" (17.8 cm) round vent with a maximum length of 50 ft (15.2 m) for vent system.

NOTE

Flexible vent is not recommended. Flexible vent creates both back pressure and air turbulence that greatly reduce performance.



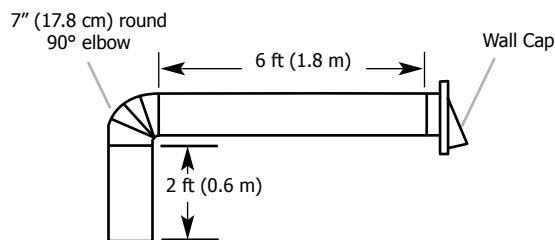
Calculating Vent System Length

To calculate the length of the system you need, add the equivalent feet (meters) for each vent piece used in the system.

7" (17.8 cm) Round Vent System

| Vent Piece | | |
|-----------------------|----------------|--|
| 90° elbow | 5.0 ft (1.5 m) | |
| 7" (17.8 cm) wall cap | 0.0 ft (0.0 m) | |

Example Vent System






| | |
|-------------------------------|-------------------|
| Maximum Recommended Length | = 50 ft (15.2 m) |
| 1 - 90° elbow | = 5.0 ft (1.5 m) |
| 8 ft (2.4 m) straight | = 8.0 ft (2.4 m) |
| 1 - wall cap | = 0.0 ft (0.0 m) |
| Length of 7" (17.8 cm) system | = 13.0 ft (3.9 m) |

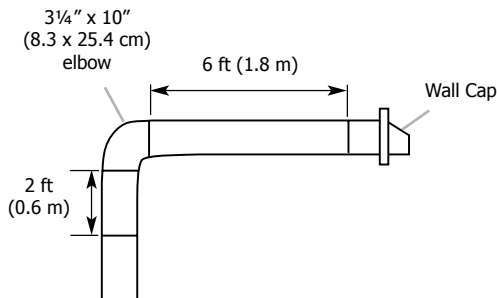
VENTING REQUIREMENTS

3/4" x 10" (8.3 cm x 25.4 cm) Vent System

Vent Piece

| | | |
|---|--------------------|---|
| 3/4" x 10" (8.3 cm x 25.4 cm) 90° elbow | 5.0 ft (1.5 m) |  |
| 3/4" x 10" (8.3 cm x 25.4 cm) flat elbow | 12.0 ft (3.7 m) |  |
| 3/4" x 10" (8.3 cm x 25.4 cm) wall cap | 0.0 ft (0.0 m) |  |

Example Vent System



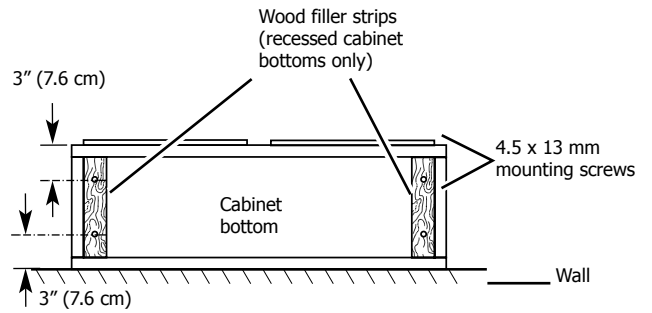
| | |
|--|-------------------|
| Maximum Recommended Length | = 35 ft (10.7 m) |
| 1 - 90° elbow | = 5.0 ft (1.5 m) |
| 8 ft (2.4 m) straight | = 8.0 ft (2.4 m) |
| 1 - wall cap | = 0.0 ft (0.0 m) |
| Length of 3/4" x 10" (8.3 cm x 25.4 cm) system | = 13.0 ft (3.9 m) |

PREPARE THE LOCATION

NOTE

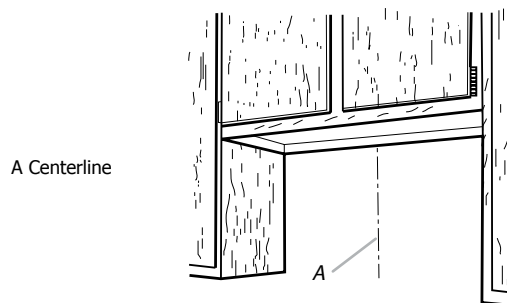
Before making cutouts, make sure there is proper clearance within the ceiling or wall.

1. Disconnect power.
2. Select a flat surface for assembling the range hood. Place covering over that surface.
3. Lift the range hood and set it upside down onto covered surface.
4. If cabinet has recessed bottom, add wood filler strips on each side. Install screws to attach filler strips in locations shown.



Determine Wiring Hole Location

1. Determine and clearly mark a vertical centerline on the wall and cabinet bottom.

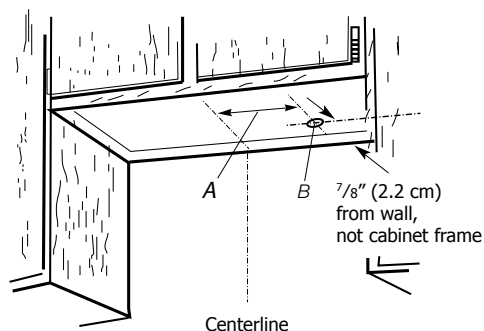


PREPARE THE LOCATION

To wire through top:

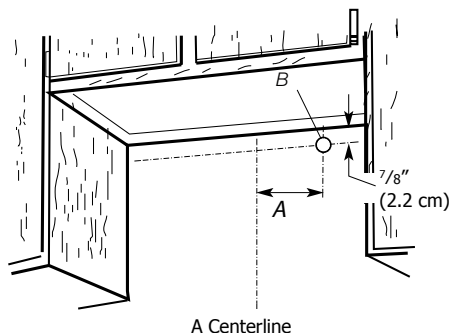
2. Mark a line distance (A) from the right of the centerline on the underside of the cabinet. Mark the point on this line that is $\frac{7}{8}$ " (2.2 cm) from back wall. Drill a $1\frac{1}{4}$ " (3.2 cm) diameter hole (B) through the cabinet at this point.

| hood model | Dim A |
|------------------|----------------------------|
| 30" & 36" models | $8\frac{3}{8}$ " (21.3 cm) |



To wire through wall:

1. Mark a line distance (A) from the right of the centerline on the underside of the wall. Mark the point on this line that is $\frac{7}{8}$ " (2.2 cm) from the underside of the cabinet. Drill a $1\frac{1}{4}$ " (3.2 cm) diameter hole (B) through the rear wall at this point.



| hood model | Dim A |
|------------------|----------------------------|
| 30" & 36" models | $8\frac{3}{8}$ " (21.3 cm) |

VENTING

Choose venting exhaust discharge from the various options listed - Style 1 - 4 that follows:

Style 1 - Recirculating Hood version

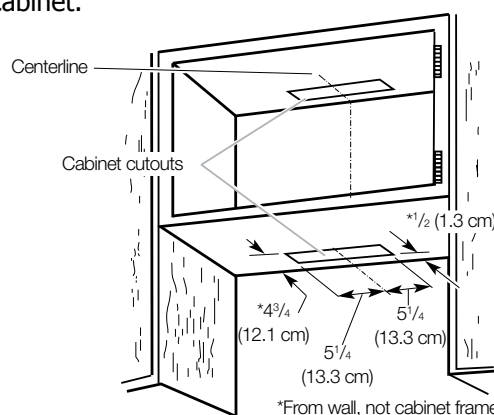
For this installation, go to "Install Range Hood (recirculating version)" on page 11.

Style 2 - Cut Openings for $3\frac{1}{4}$ " x 10" (8.3 cm x 25.4 cm) Rectangular Vent System

Roof Venting

To make a 4 " x $10\frac{1}{2}$ " (10.16 cm x 26.7 cm) rectangular cutout on the underside of cabinet top and bottom:

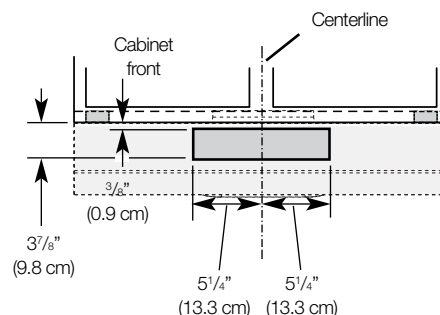
1. Mark lines $\frac{1}{2}$ " (1.3 cm) and $4\frac{3}{4}$ " (12.1 cm) from the back wall on the centerline of the underside of cabinet.
2. Mark lines $5\frac{1}{4}$ " (13.3 cm) to the right and left of the centerline on the underside of cabinet.
3. Use saber or keyhole saw to cut a rectangular opening for vent.
4. Repeat steps 1-3 for the underside of the top of the cabinet.



Wall Venting

To make a $3\frac{1}{2}$ " x $10\frac{1}{2}$ " (8.9 cm x 26.7 cm) rectangle in the wall:

1. Make 2 lines by measuring $\frac{3}{8}$ " (0.9 cm) and $3\frac{7}{8}$ " (9.8 cm) down from underside of cabinet and mark on the centerline on the back wall.
2. Mark lines $5\frac{1}{4}$ " (13.3 cm) to the right and left of the centerline on the wall.
3. Use saber or keyhole saw to cut a rectangular opening in the wall for the vent.



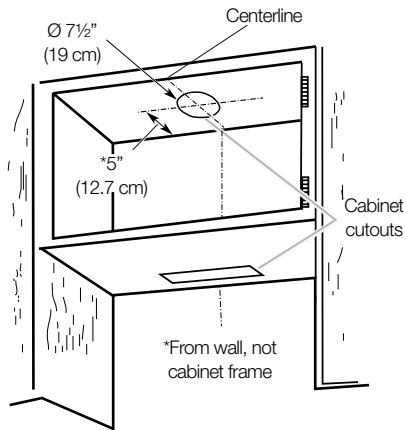
PREPARE THE LOCATION

Style 3 - Cut Openings for 3¼" x 10" (8.3 x 25.4 cm) Rectangular Vent Transition to Round Vent

Roof Venting

To make a circular vent opening on the underside of the cabinet top:

1. Mark a centerline on the underside of the top of cabinet.
2. Mark a line 5" (12.7 cm) from the back wall on the underside of the top of cabinet.
3. Use a compass or a circle template to draw a circle with a diameter of 7½" (19 cm).
Use saber or keyhole saw to cut the circular vent opening.



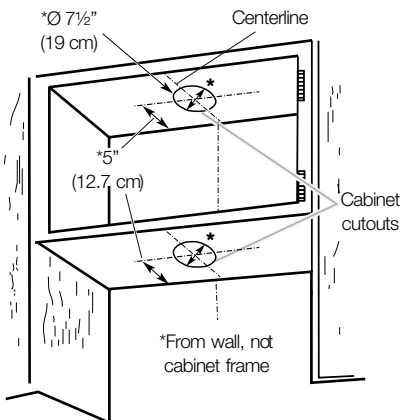
Style 4 - Cut Openings for 7" (17.8 cm) Round Vent to Round Vent Transition

Roof Venting

To make a circular vent opening on the underside of the cabinet top:

NOTE: The 7" round transition kit, part number 5304487139, is required for this installation.

1. Mark a centerline on the underside of the top of cabinet.
2. Mark a line 5" (12.7 cm) from the back wall on the underside of the top of cabinet.
3. Use a compass or a circle template to draw a circle with a diameter of 7½" (19 cm).
Use saber or keyhole saw to cut the circular vent opening.
4. Repeat steps 1-3 for the underside of the top of the cabinet.



Install Vent System

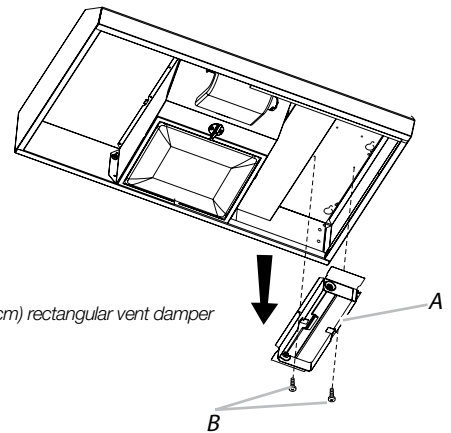
1. Install vent through the vent opening in upper cabinet or wall. Complete venting system according to the selected venting method. See "Venting Requirements" section.
2. Use caulking to seal exterior wall or roof opening around the cap.

INSTALL RANGE HOOD (Ducted version)

NOTE

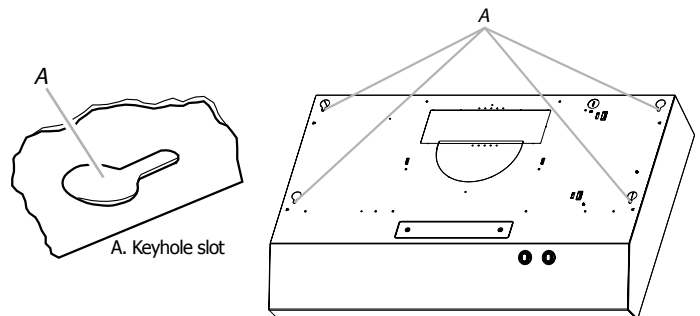
Your model will have a 3¼" x 10" (8.3 x 25.4 cm) rectangular vent connector on the inside of the range hood.

1. Unpack the 3¼" x 10" (8.3 x 25.4 cm) rectangular vent from the inside of your range hood. To detach the vent connector, remove the 2 installation screws (.35x .95cm) and keep the screws in a safe place to reinstall later (see Step 5).



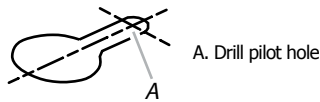
A. 3¼" x 10" (8.3 x 25.4 cm) rectangular vent damper
B. 3.5 x 9.5 mm screws

2. Lift the range hood up under cabinet and determine final location by centering beneath cabinet. Mark on the underside of cabinet the location of the 4 keyhole mounting slots on the range hood (See slot dimensions on page 6). Set range hood aside on a covered surface.

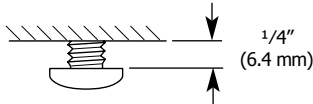


INSTALLING THE HOOD

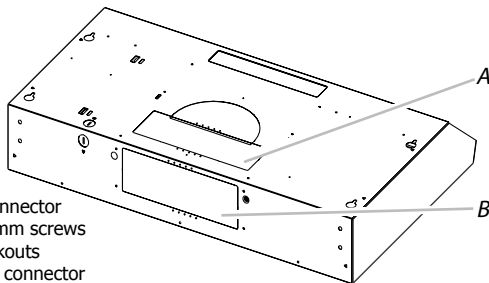
Use $\frac{1}{8}$ " (3 mm) drill bit and drill 4 pilot holes as shown.
NOTE: Make the drill holes on the thin area of the slot.



3. Install the 4 - .45 cm x 1.3 cm mounting screws in pilot holes. Leave about $\frac{1}{4}$ " (6.4 mm) space between screw heads and cabinet to slide range hood into place.



4. For roof installations, remove the top rectangular vent knockout. For wall installations, remove the rear rectangular vent knockout.



- A. Vertical connector
- B. 3.5 x 9.5 mm screws
- C. Vent knockouts
- D. Horizontal connector

5. Install the $3\frac{1}{4}$ " x 10" (8.3 x 25.4 cm) vent connector. Attach to range hood with the .35 x .95 cm screws that you previously removed (step 1) and remove tape from damper flap.

NOTE

The $3\frac{1}{4}$ " x 10" (8.3 x 25.4 cm) rectangular vent connector can be installed up to 1" (2.5 cm) on either side of the hood center to accommodate off center ductwork.

- If a vent damper is installed with a wall cap with damper, check that they do not interfere with each other. Remove the vent connector damper flap if they interfere.

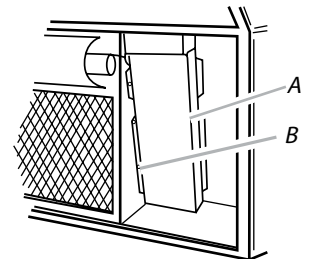
Power Supply Cable Installation

1. For direct wire installations, run the home power supply cable according to the National Electric Code or CSA standards and local codes and ordinances. There must be enough wiring from the fused disconnect (or circuit breaker) box to make the connection in the hood electrical terminal box.

NOTE

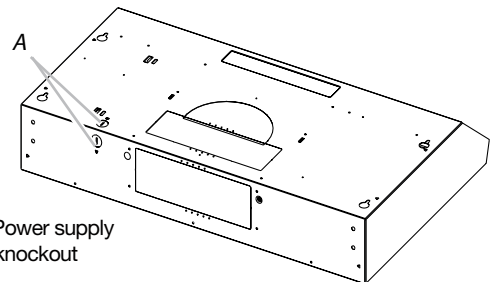
Do not reconnect power until the installation is complete.

2. Remove the screw from the terminal box cover. Remove terminal box cover and set aside.



- A. Terminal box cover
- B. Screw

3. Remove the power supply knockout from the top or rear of the vent hood (depending on the incoming location of your home power supply cable) and install a UL listed or CSA approved $\frac{1}{2}$ " strain relief.



- A. Power supply knockout

4. Using 2 or more people, lift the hood into final position. Feed enough electrical wire through the $\frac{1}{2}$ " UL listed or CSA approved strain relief to make connections in the terminal box. Tighten the strain relief screws.

5. Position the range hood so that the large end of the keyhole slots are over the mounting screws. Then push the hood toward the wall so that the screws are in the neck of the slots. Tighten the mounting screws, making sure the screws are in the narrow neck of slots.

6. Connect ventwork to hood. Seal joints with vent clamps or duct tape to make secure and airtight.

7. Check that back draft dampers work properly.

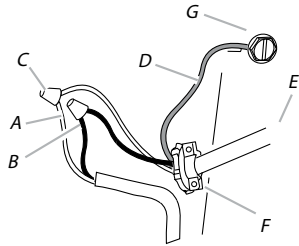
INSTALLING THE HOOD

MAKE ELECTRICAL CONNECTION

WARNING

Electrical Shock Hazard
Disconnect power before servicing.
Replace all parts and panels before operating.
Failure to do so can result in death or electrical shock.

1. Disconnect power.



A. White wires
 B. Black wires
 C. UL listed wire connector
 D. Green (or bare) ground wire
 E. Home power supply cable
 F. UL listed or CSA approved 1/2" strain relief
 G. Green ground screw

2. Use UL listed wire connectors and connect white wires (A) together.
3. Use UL listed wire connectors and connect black wires (B) together.

WARNING

Fire Hazard
Electrically ground the blower. Use copper wire.
Connect ground wire to green ground screw in terminal box. Failure to do so can result in death, fire, or electrical shock.

4. Connect green (or bare) ground wire from power supply to green ground screw in terminal box and securely tighten.
5. Install terminal box cover.
6. Install the 75W (max.) Incandescent light bulb. See "Replacing the Incandescent Light Bulb" in the "Range Hood Care" section.
7. Reconnect power.

Complete Installation

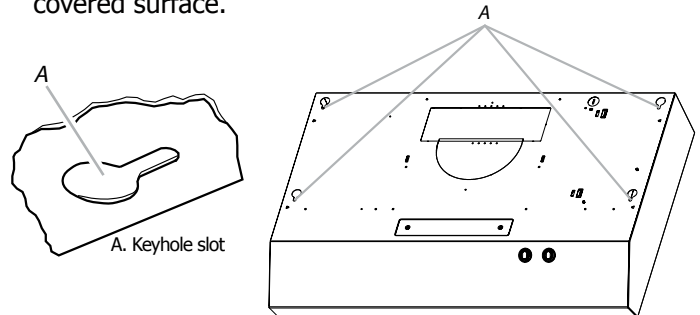
1. Replace grease filter if removed. See the "Range Hood Care" section.
 2. Check the operation of the range hood fan and light. See "Range Hood Use" section.
- If range hood does not operate, check to see whether a circuit breaker has tripped or a household fuse has blown. Disconnect power and check wiring connections.

NOTE

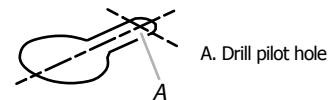
To get the most efficient use from your new range hood, read the "Range Hood Use" section.

INSTALL RANGE HOOD (Recirculating version)

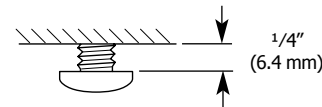
1. Lift the range hood up under cabinet and determine final location by centering beneath cabinet. Mark on the underside of cabinet the location of the 4 keyhole mounting slots on the range hood (See slots dimensions on page 6). Set range hood aside on a covered surface.



2. Use 1/8" (3 mm) drill bit and drill 4 pilot holes as shown. NOTE: Make the drill holes on the thin area of the slot.



3. Install the 4 - .45 cm x 1.3 cm mounting screws in pilot holes. Leave about 1/4" (6.4 mm) space between screw heads and cabinet to slide range hood into place.



Power Supply Cable Installation

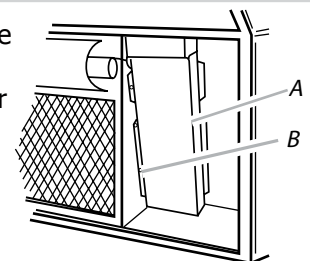
1. For direct wire installations, run the home power supply cable according to the National Electric Code or CSA standards and local codes and ordinances. There must be enough wiring from the fused disconnect (or circuit breaker) box to make the connection in the hood electrical terminal box.

NOTE

Do not reconnect power until the installation is complete.

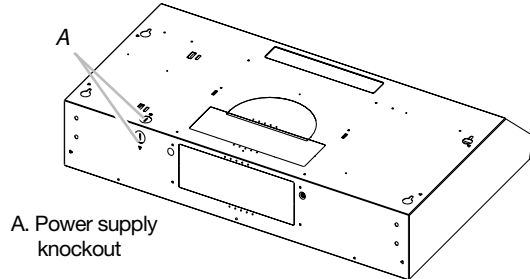
2. Remove the screw from the terminal box cover. Remove terminal box cover and set aside.

A. Terminal box cover
 B. Screw



RANGE HOOD USE

3. Remove the power supply knockout from the top or rear of the vent hood (depending on the incoming location of your home power supply cable) and install a UL listed or CSA approved 1/2" strain relief.



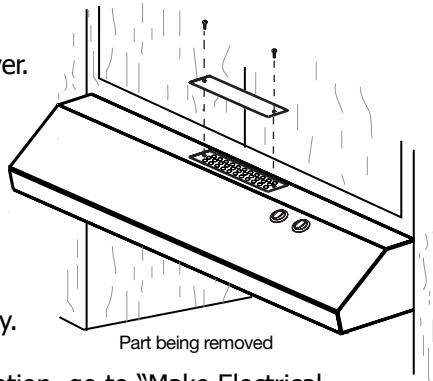
4. Using 2 or more people, lift the hood into final position. Feed enough electrical wire through the 1/2" UL listed or CSA approved strain relief to make connections in the terminal box. Tighten the strain relief screws.
5. Position the range hood so that the large end of the keyhole slots are over the mounting screws. Then push the hood toward the wall so that the screws are in the neck of the slots. Tighten the mounting screws, making sure the screws are in the narrow neck of slots.

Recirculation Vent Cover

For installations which are recirculating the air exhaust, the recirculation vent cover must be removed.

Remove the recirculating vent cover by removing the 2 mounting screws with a phillips screwdriver.

NOTE: For installations which are venting out the roof or wall, the recirculating vent cover must remain in place. Do not remove as unit will not perform properly.

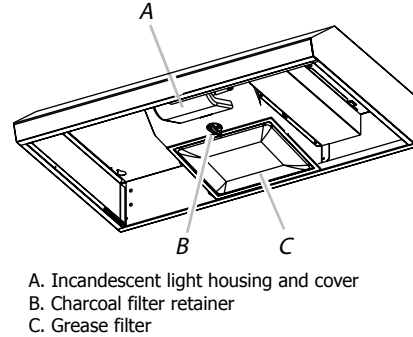


To complete the installation, go to "Make Electrical Connection" section on page 11.

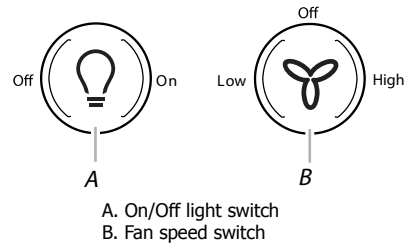
RANGE HOOD USE

The range hood is designed to remove smoke, cooking vapors and odors from the cooktop area. For best results, start the hood before cooking and allow it to operate several minutes after the cooking is complete to clear all smoke and odors from the kitchen.

The hood controls are located on the top of the range hood.



Range Hood Controls



Operating the light

Push the light switch to the right to turn the light On.
Push the light switch to the left to turn the light Off.

Operating the fan

Push the fan switch to the left for Low speed. Push the fan switch to the right for High speed. Push the fan switch to the middle for Off.

RANGE HOOD CARE

Cleaning

WARNING

To Reduce The Risk Of Fire Or Electrical shock disconnect from power supply before cleaning.

IMPORTANT

Clean the hood and grease filters frequently according to the following instructions. Replace grease filter before operating hood.

IMPORTANT

Exterior Surfaces

Do not use soap-filled scouring pads, abrasive cleaners, Cooktop Polishing Creme, steel wool, gritty washcloths or paper towels.

To avoid damage to the stainless steel, do not use cleaners that contain chlorine.

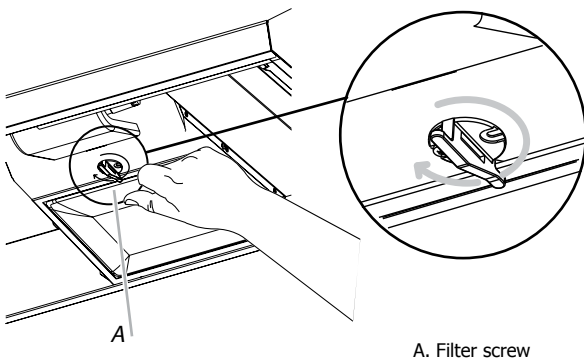
Cleaning Method:

- Use warm water with liquid detergent or all purpose cleaner and soft cloth to clean outside surfaces.
- Rinse with clean water and dry with soft, lint-free cloth.
- Use glass cleaner to remove fingerprints.
- For stainless steel finish rub in direction of grain to avoid scratching or damaging the surface.

NOTE: On stainless steel finish, clean in direction of stainless steel brush to avoid scratching or damaging the surface.

To clean or replace grease filter:

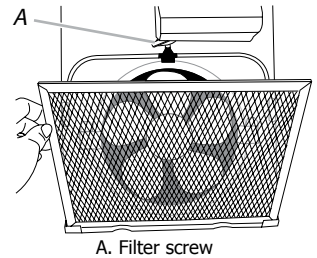
1. Remove screw from the plastic filter retainer clip with phillips screwdriver
2. Turn the filter retainer to release filter.



3. Reinstall the filter by placing the back edge in the channel at rear of hood. Push filter into place, turn the filter retainer to secure filter to range hood.

4. Replace screw in the filter retainer.

5. To clean grease filter, soak the filters in hot water using a mild detergent. Rinse well and shake to dry. Or place in upper rack of dishwasher to clean.



NOTE: Do not use ammonia. The aluminum on the grease filter will corrode and darken.

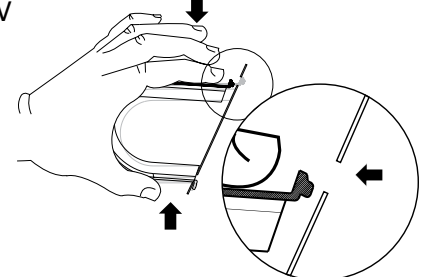
NOTE: You can use either dishwasher or hot detergent solution and rinse in clean water.

NOTE

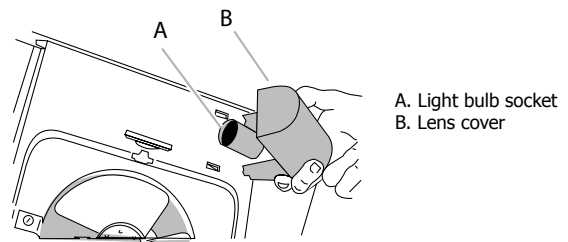
The grease filter is dishwasher safe. To avoid grease filter damage while cleaning, place filter into the dishwasher top rack for cleaning

Replacing the Incandescent LightBulb

1. Turn off the range hood and allow the light bulb to cool.
2. Disconnect power - Turn off house breaker at breaker box.
3. Squeeze the plastic lens cover and remove it from the hood.
4. Screw a 75W max, 120V incandescent light bulb into socket.
5. Replace lens cover by squeezing cover and inserting tabs into slots.
6. Reconnect power.



If new light does not operate, make sure the lamp is inserted correctly before calling service.



Charcoal / Grease Filter Accessory Kit

For recirculating vent hood, an optional charcoal filter is available. You can order this as part number 5304486302. The charcoal filter is not washable. It should last up to 6 months with normal use.

Replace the old charcoal filter with a new charcoal filter.

TROUBLESHOOTING

| Problem | Possible Causes | Solutions |
|---|--|---|
| After installation, the unit doesn't work. | <ol style="list-style-type: none"> 1. The power line and the cable locking connector is not connecting properly. 2. The wires from the switches are disconnected or loose. | <ol style="list-style-type: none"> 1. Check the power connection with the unit is connected properly. 2. Make sure the wires on the switches are connected properly. |
| Light works, but motor is not turning. | <ol style="list-style-type: none"> 1. The motor is defective, possible seized. 2. The thermally protected system detects if the motor is too hot to operate and shuts the motor down. 4. The motor wire is not connected. | <ol style="list-style-type: none"> 1. Change the motor. 2. The motor will function properly after the thermally protected system cool down. 4. Make sure the motor wire is plugged into the molex connector. |
| The unit is vibrating. | <ol style="list-style-type: none"> 1. The motor is not secure in place. 2. Damaged blower wheel. 3. The hood is not secured in place. | <ol style="list-style-type: none"> 1. Tighten the motor in place. 2. Change the blower. 3. Check the installation of the hood. |
| The motor is working, but the lights are not. | <ol style="list-style-type: none"> 1. Defective bulb. 2. The light bulb is loose. 3. The wires on the light switch are loose. | <ol style="list-style-type: none"> 1. Change the bulb. 2. Tighten the light bulb. 3. Make sure the wires on light switch are connected properly. |
| The hood is not venting out properly. | <ol style="list-style-type: none"> 1. The hood might be hanging to high from the cook top. 2. The wind from the opened windows or opened doors in the surrounding area are affecting the ventilation of the hood. 3. Blockage in the duct opening or duct work. 4. The direction of duct opening is against the wind. 5. Using the wrong size of ducting. | <ol style="list-style-type: none"> 1. Adjust the distance between the cook top and the bottom of the hood within 24" (61 cm) and 32" (76.2 cm) range. 2. Close all the windows and doors to eliminate the outside wind flow. 3. Remove all the blocking from the duct work or duct opening. 4. Adjust the duct opening direction. 5. Change the ducting to correct size. |
| Metal filter is vibrating. | <ol style="list-style-type: none"> 1. Grease filter is loose. 2. Filter retainer does not freely move | <ol style="list-style-type: none"> 1. Make sure filter retainer still works. 2. Replace grease filter. |

Warranty

Your appliance is covered by a one year limited warranty. For one year from your original date of purchase, Electrolux will repair or replace any parts of this appliance that prove to be defective in materials or workmanship when such appliance is installed, used, and maintained in accordance with the provided instructions. In addition, the glass cooktop or radiant surface element of your appliance (excluding built-in and free-standing range appliances) is covered by a two through five year limited warranty. During the 2nd through 5th years from your original date of purchase, Electrolux will provide a replacement glass cooktop or radiant surface element for your appliance which has proven to be defective in materials or workmanship when such appliance is installed, used, and maintained in accordance with the provided instructions.

Exclusions

This warranty does not cover the following:

1. Products with original serial numbers that have been removed, altered or cannot be readily determined.
2. Product that has been transferred from its original owner to another party or removed outside the USA or Canada.
3. Rust on the interior or exterior of the unit.
4. Products purchased "as-is" are not covered by this warranty.
5. Products used in a commercial setting.
6. Service calls which do not involve malfunction or defects in materials or workmanship, or for appliances not in ordinary household use or used other than in accordance with the provided instructions.
7. Service calls to correct the installation of your appliance or to instruct you how to use your appliance.
8. Expenses for making the appliance accessible for servicing, such as removal of trim, cupboards, shelves, etc., which are not a part of the appliance when it is shipped from the factory.
9. Service calls to repair or replace appliance light bulbs, air filters, water filters, other consumables, or knobs, handles, or other cosmetic parts.
10. Labor or in-home service costs during the additional limited warranty periods beyond the first year from your original date of purchase.
11. Pickup and delivery costs; your appliance is designed to be repaired in the home.
12. Surcharges including, but not limited to, any after hour, weekend, or holiday service calls, tolls, ferry trip charges, or mileage expense for service calls to remote areas, including the state of Alaska.
13. Damages to the finish of appliance or home incurred during transportation or installation, including but not limited to floors, cabinets, walls, etc.
14. Damages caused by: services performed by unauthorized service companies; use of parts other than genuine Electrolux parts or parts obtained from persons other than authorized service companies; or external causes such as abuse, misuse, inadequate power supply, accidents, fires, or acts of God.

DISCLAIMER OF IMPLIED WARRANTIES; LIMITATION OF REMEDIES

CUSTOMER'S SOLE AND EXCLUSIVE REMEDY UNDER THIS LIMITED WARRANTY SHALL BE REPAIR OR REPLACEMENT AS PROVIDED HEREIN. CLAIMS BASED ON IMPLIED WARRANTIES, INCLUDING WARRANTIES OF MERCHANTABILITY OR FITNESS FOR A PARTICULAR PURPOSE, ARE LIMITED TO ONE YEAR OR THE SHORTEST PERIOD ALLOWED BY LAW, BUT NOT LESS THAN ONE YEAR. ELECTROLUX SHALL NOT BE LIABLE FOR CONSEQUENTIAL OR INCIDENTAL DAMAGES SUCH AS PROPERTY DAMAGE AND INCIDENTAL EXPENSES RESULTING FROM ANY BREACH OF THIS WRITTEN LIMITED WARRANTY OR ANY IMPLIED WARRANTY. SOME STATES AND PROVINCES DO NOT ALLOW THE EXCLUSION OR LIMITATION OF INCIDENTAL OR CONSEQUENTIAL DAMAGES, OR LIMITATIONS ON THE DURATION OF IMPLIED WARRANTIES, SO THESE LIMITATIONS OR EXCLUSIONS MAY NOT APPLY TO YOU. THIS WRITTEN WARRANTY GIVES YOU SPECIFIC LEGAL RIGHTS. YOU MAY ALSO HAVE OTHER RIGHTS THAT VARY FROM STATE TO STATE.

If You Need Service

Keep your receipt, delivery slip, or some other appropriate payment record to establish the warranty period should service be required. If service is performed, it is in your best interest to obtain and keep all receipts. Service under this warranty must be obtained by contacting Electrolux at the addresses or phone numbers below.

This warranty only applies in the USA, Puerto Rico and Canada. In the USA and Puerto Rico, your appliance is warranted by Electrolux Major Appliances North America, a division of Electrolux Home Products, Inc. In Canada, your appliance is warranted by Electrolux Canada Corp. Electrolux authorizes no person to change or add to any obligations under this warranty. Obligations for service and parts under this warranty must be performed by Electrolux or an authorized service company. Product features or specifications as described or illustrated are subject to change without notice.

USA

1.800.944.9044

Electrolux Home Products, Inc.,
10200 David Taylor Drive
Charlotte, NC 28262

Canada

1-800-265-8352

Electrolux Canada Corp.
5855 Terry Fox Way
Mississauga, Ontario, Canada L5V 3E4

SOMMAIRE

| | |
|--|----|
| Avis de sécurité important..... | 18 |
| Liste des matériaux..... | 20 |
| Spécifications électriques..... | 20 |
| Exigences d'emplacement..... | 21 |
| Dimensions du produit..... | 21 |
| Exigences concernant l'évacuation | 22 |
| Préparation d'emplacement..... | 23 |
| Installation de la hotte (pour système d'évacuation)..... | 26 |
| Raccordement électrique..... | 27 |
| Installation de la hotte (sans décharge à l'extérieur (recyclage))..... | 28 |
| Utilisation de la hotte..... | 29 |
| Entretien de la hotte..... | 30 |
| Dépannage..... | 31 |
| Garantie..... | 32 |

Visitez notre site web
www.frigidaire.com
pour voir notre ligne d'accessoires

Merci d'avoir choisi **Frigidaire**.

Ce guide d'utilisation et d'entretien fait partie de notre engagement à la satisfaction du client et la qualité produit tout au long de la de vie de votre nouvelle appliance. Votre achat comme le début d'une relation. Pour assurer notre capacité à continuer servant vous, s'il vous plaît utiliser cette page pour enregistrer important information sur les produit.

besoin d'aide?

Visitez notre site Web à www.frigidaire.com

Avant d'appeler le service, il ya quelques choses que vous pouvez faire pour nous aider à mieux vous servir.

Lisez ce manuel d'utilisation et de soins.

Il contient des instructions pour vous aider à utiliser et à entretenir votre hotte correctement.

Si vous avez reçu une hotte endommagé ...

contactez immédiatement le revendeur (ou constructeur) que vous avez vendu la hotte.

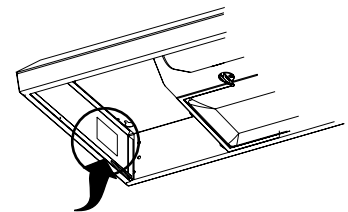
Gagnez du temps et d'argent.

Voir "Dépannage" dans votre manuel. Cette section permet pas vous grâce à certains problèmes courants qui pourraient survenir. Si vous n'avez besoin de service, l'aide est seulement un appel téléphonique. Appelez Services à la clientèle au 1-800-944-9044.

Enregistrement du produit

L'enregistrement de votre produit avec Frigidaire améliore notre capacité à vous servir. Vous pouvez inscrire en ligne à www.frigidaire.com ou déposant votre produit Fiche d'Inscription par la poste.

Emplacement de l'étiquette de série



Retirez le filtre et le trouver sur la paroi latérale gauche hotte.

Modèle de dossier et numéro de série

Date d'achat

Le numéro de modèle

Le numéro de serie

AVIS DE SÉCURITÉ IMPORTANT

Lire toutes les instructions avant d'utiliser l'appareil.

Conserver ces instructions pour une future consultation.

Approuvé comme appareil domestique.

Pour usage résidentiel uniquement.

Ne pas essayer d'installer ou d'utiliser votre appareil si vous n'avez pas lu les instructions de sécurité de ce manuel. Les particularités de sécurité de ce manuel sont marqués d'un AVERTISSEMENT ou ATTENTION selon le type de risque.

⚠ Ceci est le symbole d'alerte de sécurité. Il est utilisé pour vous alerter au risques potentiels de blessure. Respectez tous les messages de sécurité qui suivent ce symbole pour éviter d'éventuelles blessures ou la mort.

⚠ AVERTISSEMENT

Ce symbole vous avertit de situations pouvant causer de graves lésions corporelles, la mort ou un dommage matériel.

⚠ ATTENTION

Ce symbole vous avertit de situations pouvant causer des blessures corporelles ou des dégâts matériels.

➡ IMPORTANT

indique l'installation, l'exploitation, entretien ou des renseignements précieux qui n'est pas de danger connexes.

Avis de sécurité important

⚠ ATTENTION

Cet appareil est conçu uniquement pour la ventilation générale. Ne pas l'utiliser pour l'extraction de matières ou vapeurs dangereuses ou explosives.

⚠ AVERTISSEMENT

POUR RÉDUIRE LE RISQUE D'INCENDIE, CHOC ÉLECTRIQUE OU DOMMAGES CORPORELS, RESPECTER LES INSTRUCTIONS SUIVANTES :

- A. Utiliser cet appareil uniquement dans les applications envisagées par le fabricant. Pour toute question, contacter le fabricant.
- B. Avant d'entreprendre un travail d'entretien ou de nettoyage, interrompre l'alimentation de la hotte au niveau du tableau de disjoncteurs, et verrouiller le tableau de disjoncteurs pour empêcher tout rétablissement accidentel de l'alimentation du circuit. Lorsqu'il n'est pas possible de verrouiller le tableau de disjoncteurs, placer sur le tableau de disjoncteurs une étiquette d'avertissement proéminente interdisant le rétablissement de l'alimentation.
- C. Tout travail d'installation ou câblage électrique doit être réalisé par une personne qualifiée, dans le respect des prescriptions de tous les codes et normes applicables, y compris les codes du bâtiment et de protection contre les incendies.
- D. Ne pas faire fonctionner un ventilateur dont le cordon ou la fiche est endommagé(e). Jeter le ventilateur ou le retourner à un centre de service agréé pour examen et/ou réparation.
- E. Une source d'air de débit suffisant est nécessaire pour le fonctionnement correct de tout appareil à gaz (combustion et évacuation des gaz à combustion par la cheminée), pour qu'il n'y ait pas de reflux des gaz de combustion. Respecter les directives du fabricant de l'équipement de chauffage et les prescriptions des normes de sécurité - comme celles publiées par la National Fire Protection Association (NFPA) et l'American Society for Heating, Refrigeration and AirConditioning Engineers (ASHRAE), et les prescriptions des autorités réglementaires locales.
- F. Lors d'opérations de découpage et de perçage dans un mur ou un plafond, veiller à ne pas endommager les câblages électriques ou canalisations qui peuvent s'y trouver.
- G. Les ventilateurs d'évacuation doivent toujours décharger l'air à l'extérieur.

AVIS DE SÉCURITÉ IMPORTANT

ATTENTION

Pour minimiser le risque d'incendie et évacuer adéquatement les gaz, veiller à acheminer l'air aspiré par un conduit jusqu'à l'extérieur - ne pas décharger l'air aspiré dans un espace vide du bâtiment comme une cavité murale, un plafond, un grenier, un vide sanitaire ou un garage.

AVERTISSEMENT

POUR RÉDUIRE LE RISQUE D'INCENDIE, UTILISER UNIQUEMENT DES CONDUITS MÉTALLIQUES.

AVERTISSEMENT

Pour réduire le risque d'incendie ou de choc électrique, ne pas utiliser ce ventilateur avec un quelconque dispositif de réglage de la vitesse à semi-conducteurs.

AVERTISSEMENT

POUR MINIMISER LE RISQUE D'UN FEU DE GRAISSE SUR LA CUISINIÈRE :

- a) Ne jamais laisser un élément de surface fonctionner à puissance de chauffage maximale sans surveillance. Un renversement/débordement de matière grasseuse pourrait provoquer une inflammation et la génération de fumée. Utiliser une puissance de chauffage moyenne ou basse pour le chauffage d'huile.
- b) Veiller à toujours faire fonctionner le ventilateur de la hotte lors de la cuisson avec une puissance de chauffage élevée ou lors de la cuisson d'un mets à flamber (à savoir crêpes Suzette, cerise jubilee, steak au poivre flambé).
- c) Nettoyer fréquemment les ventilateurs d'extraction. Veiller à ne pas laisser la graisse s'accumuler sur les surfaces du ventilateur ou des filtres.
- d) Utiliser toujours un ustensile de taille appropriée. Utiliser toujours un ustensile adapté à la taille de l'élément chauffant.

AVERTISSEMENT

POUR RÉDUIRE LE RISQUE DE DOMMAGES CORPORELS APRÈS LE DÉCLENCHEMENT D'UN FEU DE GRAISSE SUR LA CUISINIÈRE, APPLIQUER LES RECOMMANDATIONS SUIVANTES

- a) Placer sur le récipient un couvercle bien ajusté, une tôle à biscuits ou un plateau métallique POUR ÉTOUFFER LES FLAMMES, puis éteindre le brûleur. VEILLER À ÉVITER LES BRÛLURES. Si les flammes ne s'éteignent pas immédiatement, ÉVACUER LA PIÈCE ET APPELER LES POMPIERS.
- b) NE JAMAIS PRENDRE EN MAIN UN RÉCIPIENT ENFLAMMÉ - vous risquez de vous brûler.
- c) NE PAS UTILISER D'EAU, ni un torchon humide - ceci pourrait provoquer une explosion de vapeur brûlante.
- d) Utiliser un extincteur SEULEMENT si :
 - Il s'agit d'un extincteur de classe ABC, dont on connaît le fonctionnement.
 - Il s'agit d'un petit feu encore limité à l'endroit où il s'est déclaré.
 - Les pompiers ont été contactés.
 - Il est possible de garder le dos orienté vers une sortie pendant l'opération de lutte contre le feu.

OPERATION

Toujours laisser les grilles de sécurité et de filtres dans place. Sans ces composants, des souffleuses exploitation pourrait attraper sur les cheveux, les doigts et les vêtements amples.

Le fabricant décline toute responsabilité en cas de non-respect des instructions données ici pour l'installation, la maintenance et appropriée du produit. Le fabricant décline toute responsabilité pour d'autres blessures dues à la négligence et la garantie de l'unité expire automatiquement à cause d'un mauvais entretien.

LISTE DES MATERIAUX

Outils et pièces

Pièces fournies

- 4 vis de montage de 0.45 x 1.3 cm
- Adaptateur rectangulaire du conduits de ventilation de 3¼" x 10" (8.3 x 25.4 cm)

REMARQUE: Une optionel kit de conduit rond de 7" est disponible. Vous pouvez commander ce kit dans le numéro de la pièce: 5304487139.

Pièces nécessaires

- 2 connecteurs de fils homologués UL
- 1 ampoule à incandescence de 75 watts max., 120 V
- Bouche de décharge murale ou à travers le toit (avec clapet) correspondant au système d'évacuation
- Brides de conduit/ruban adhésif (selon le besoin)
- Serre-câble homologué UL ou CSA de ½"

Outils nécessaires

- Perceuse
- Foret de 1¼" (3 cm)
- Foret de ⅛" (3 mm) pour avant-trous
- Crayon
- Pince à dénuder ou couteau utilitaire
- Mètre-ruban ou règle
- Pistolet à calfeutrage et composé de calfeutrage résistant aux intempéries
- Tournevis à lame plate
- Tournevis Phillips
- Scie sauteuse ou scie à guichet

Pour placards avec cavité au fond :

- Deux tringles d'appui de largeur 2" (5,1 cm). Longueur et épaisseur selon les dimensions de l'encastrement.
- Quatre vis à bois à tête plate ou vis à métaux avec rondelles et écrous (pour la fixation des tringles d'appui). Exigences d'emplacement

SPÉCIFICATIONS ÉLECTRIQUES

Observer les dispositions de tous les codes et règlements en vigueur.

Vérifier que l'installation électrique a été correctement effectuée et qu'elle est conforme aux spécifications de la plus récente édition des normes National Electrical Code, ANSI/NFPA 70, ou de la norme CSA C22.1-94, Code canadien de l'électricité, partie 1 et C22.2 N° 0-M91 (dernière édition) et de tous les codes et règlements en vigueur locaux.

Si les codes le permettent et si on utilise un conducteur distinct de liaison à la terre, il est recommandé qu'un électricien qualifié vérifie la qualité de la liaison à la terre. Pour obtenir un exemplaire de la norme des codes ci-dessus, contacter :

National Fire Protection Association

One Batterymarch Park
Quincy, MA 02269

CSA International

8501 East Pleasant Valley Road
Cleveland, OH 44131-5575

- L'appareil doit être alimenté par un circuit de 120 V, CA seulement, 60 Hz, 15 A, protégé par fusible.
- Si le domicile est équipé d'un câblage en aluminium, suivre les instructions suivantes :
 1. Connecter une section de câble en cuivre massif aux conducteurs en queue de cochon.
 2. Connecter le câblage en aluminium à la section ajoutée de câblage en cuivre en utilisant des connecteurs et/ou des outils spécialement conçus et homologués UL pour fixer le cuivre à l'aluminium.

Appliquer la procédure recommandée par le fabricant des connecteurs. La connexion aluminium/cuivre doit être conforme aux codes locaux et aux pratiques de câblage acceptées par l'industrie.

- Le calibre des conducteurs et les connexions doivent être compatibles avec la demande de courant de l'appareil spécifiée sur la plaque signalétique. La plaque signalétique de l'appareil est située derrière le filtre, sur la paroi arrière de la hotte.
- Le calibre des conducteurs doit satisfaire aux exigences de la plus récente édition de la norme National Electrical Code, ANSI/NFPA 70, ou de la norme CSA C22.1-94, Code canadien de l'électricité, partie 1 et C22.2 n° 0-M91 (dernière édition) et de tous les codes et règlements en vigueur.

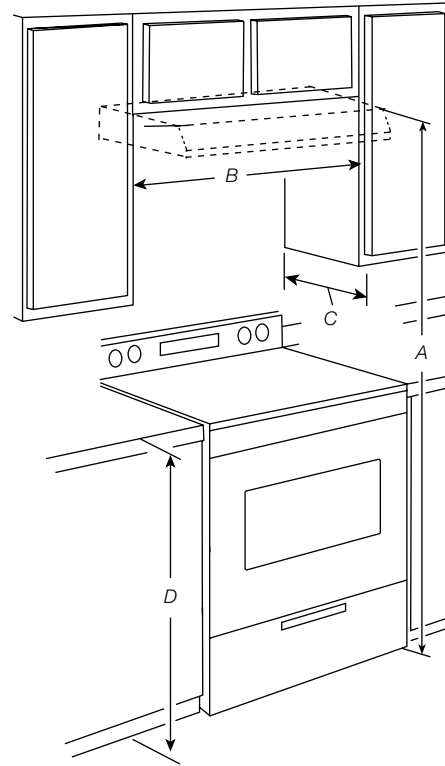
EXIGENCES D'EMPLACEMENT

➔ IMPORTANT

Respectez tous les codes et ordonnances.

- C'est à l'installateur qu'incombe la responsabilité de respecter les distances de séparation exigées, spécifiées sur la plaque signalétique de l'appareil. La plaque signalétique est située à l'intérieur de la hotte, sur la paroi de gauche.
Installer la hotte de cuisinière à distance de toute zone exposée à des courants d'air, comme fenêtres, portes et bouches de chauffage à fort débit.
- Respecter les dimensions indiquées pour les ouvertures à découper dans les placards. Ces dimensions tiennent compte des valeurs minimales des dégagements de séparation. Avant d'effectuer des découpages, consulter les instructions d'installation fournies par le fabricant de la table de cuisson/cuisinière.
- On doit disposer d'une prise de courant électrique reliée à la terre. Voir la section "Spécifications électriques".
- Assurer l'étanchéité au niveau de chaque ouverture découpée dans le plafond ou le mur pour l'installation de la hotte de cuisinière.

Distances de dégagement à respecter

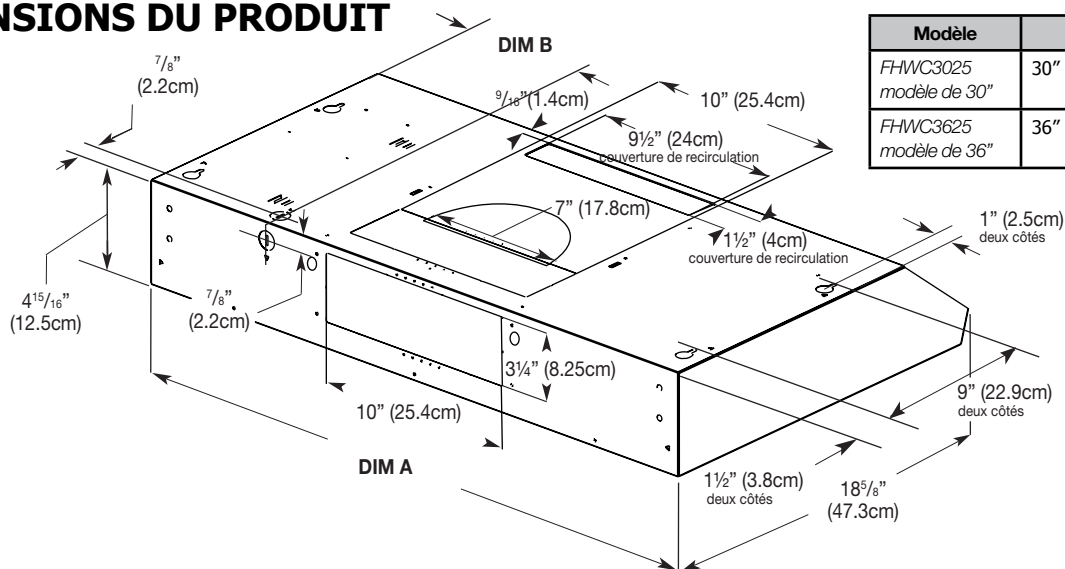


- A. 66" (167 cm) a suggéré min. - En haut de la hotte à l'étage.
- B. 30" (76,2 cm) de largeur de cabinet min. pour les modèles de 30" (76,2 cm) et 36" (91,4 cm) de largeur min. de placard pour les modèles de 36" (91,4 cm)
- C. Profondeur de placard 13" (33 cm)
- D. Hauteur de placard du bas 36" (91,4 cm)

Installation dans une résidence mobile

L'installation de cette hotte doit satisfaire aux exigences de la norme Manufactured Home Construction Safety Standards, Titre 24 CFR, partie 328 (anciennement Federal Standard for Mobile Home Construction and Safety, titre 24, HUD, partie 280); lorsque cette norme n'est pas applicable, l'installation doit satisfaire aux critères de la plus récente édition de la norme Manufactured Home Installation 1982 (Manufactured Home Sites, Communities).

DIMENSIONS DU PRODUIT



| Modèle | Dim A | Dim B |
|---------------------------|----------------|--|
| FHWC3025 modèle de 30" | 30" (76.2 cm) | 6 ⁹ / ₁₆ " (16.7 cm) |
| FHWC3625 modèle de 36" | 36" (91.44 cm) | 9 ¹ / ₂ " (24.3 cm) |

EXIGENCES CONCERNANT L'ÉVACUATION

- Le système d'évacuation doit décharger l'air à l'extérieur.
- Ne pas terminer le circuit d'évacuation dans un grenier ou dans un autre espace clos.
- Ne pas utiliser une bouche de décharge murale de 4" (10,2 cm) normalement utilisée pour un équipement de buanderie.
- Utiliser un conduit métallique rond de 7" (17,8 cm) ou un conduit métallique rectangulaire de 3¹/₄" x 10" (8,3 x 25,4 cm), selon le modèle. Un conduit en métal rigide est recommandé. Ne pas utiliser de conduit de plastique ou en aluminium.
- La longueur du système d'évacuation et le nombre de coudes doit être réduit au minimum pour des performances optimales.

Pour un fonctionnement efficace et silencieux :

- Ne pas utiliser plus de trois coudes à 90°.
- Veiller à ce qu'il y ait une section droite de conduit d'un minimum de 24" (61 cm) entre les raccords coudés, si on doit en utiliser plus d'un.
- Ne pas installer 2 coudes successifs.
- Au niveau de chaque jointure du circuit d'évacuation, assurer l'étanchéité avec les brides de serrage ou du ruban adhésif.
- Le circuit d'évacuation doit comporter un clapet anti-reflux.
- Utilisez du calfeutrage pour sceller un mur extérieur ou toit ouvrant autour du bouchon.
- Les meilleures performances sont atteintes avec la tuyauterie droite, sans les coudes et sans utiliser tube lisse.
- Longueur maximale recommandée pour Système de ventilation: 35 ft (10.7 m).

Installations dans les régions au climat froid

On doit installer un clapet anti-reflux supplémentaire à l'arrière pour minimiser le reflux d'air froid et incorporer un élément d'isolation thermique pour minimiser la conduction de chaleur par l'intermédiaire du conduit d'évacuation, de l'intérieur de la maison à l'extérieur. Le clapet anti-reflux doit être placé du côté air froid de la résistance thermique.

L'élément d'isolation thermique doit être aussi proche que possible de l'endroit où le circuit d'évacuation s'introduit dans la partie chauffée de la maison.

Air d'appoint

Le code du bâtiment local peut exiger l'emploi d'un système d'appoint d'air lors de l'emploi d'un ventilateur d'extraction dont la capacité d'aspiration est supérieure à un débit (pieds cubes par minute) spécifié.

Le débit spécifié en pieds cubes par minute varie d'une juridiction à l'autre. Consulter un professionnel des installations de chauffage ventilation/climatisation au sujet des exigences spécifiques applicables dans la juridiction locale.

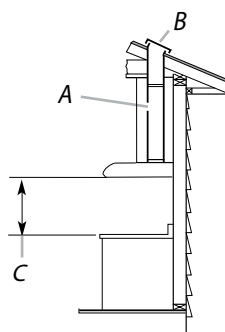
Méthodes d'évacuation

La sortie à l'extérieur du circuit d'évacuation peut se faire à travers le toit ou à travers un mur. Utiliser des conduits rectangulaires de 3¹/₄" x 10" (8,3 x 25,4 cm) avec une longueur maximale de 35 pi (10,7 m) ou des conduits rond de 7" (17,8 cm) de diamètre ou plus avec une longueur maximale de 50 pi (15,2 m) pour le système d'évacuation.

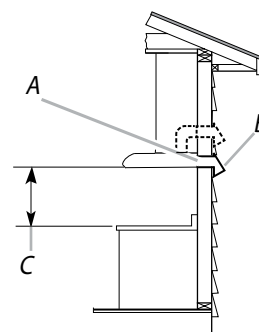
REMARQUE

On déconseille l'emploi d'un conduit flexible. Un conduit flexible peut causer une rétro-pression et des turbulences de l'air, ce qui réduirait considérablement la performance.

Décharge à travers le toit



Évacuation par le mur



- A. Conduit rectangulaire de 3¹/₄" x 10" (8,3 x 25,4 cm) pour décharge à travers le toit (achat séparé)
- B. Bouche de décharge sur toit avec clapet (achat séparé)
- C. Entre 18" (45,7 cm) min. et 24" (61 cm) max. audessus de la surface de cuisson.



- A. Conduit rectangulaire de 3¹/₄" x 10" (8,3 x 25,4 cm) pour décharge à travers le mur ou le sommet (achat séparé)
- B. Bouche de décharge murale avec clapet (achat séparé)
- C. Entre 18" (45,7 cm) min. et 24" (61 cm) max. au-dessus de la surface de cuisson

EXIGENCES CONCERNANT L'ÉVACUATION

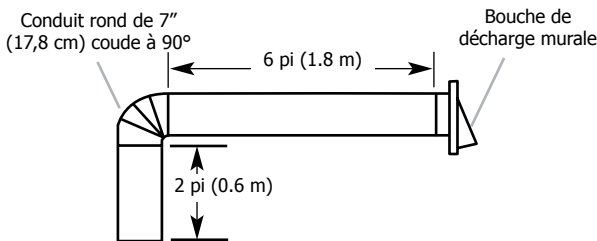
Calcul de la longueur du circuit d'évacuation

Pour calculer la longueur effective du circuit d'évacuation nécessaire, additionner les longueurs équivalentes (en pieds ou mètres) de tous les composants utilisés dans le système.

Système de décharge rond de 7" (17,8 cm)

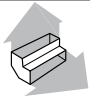
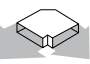

| Composant | |
|------------------------------|--|
| coude a 90° | 5.0 pi (1.5 m)  |
| Bouche de décharge murale de | 0.0 pi (0.0 m)  |

Exemple de circuit d'évacuation

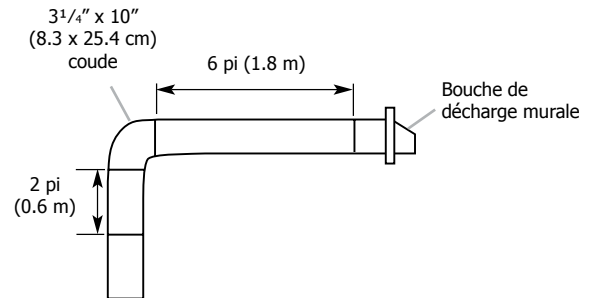


| | |
|--|-------------------|
| Longueur maximale recommandée | = 50 ft (15.2 m) |
| 1 - coude 90° | = 5.0 ft (1.5 m) |
| Section droite de 8 pi (2.4 m) | = 8.0 ft (2.4 m) |
| 1 - bouche de décharge murale | = 0.0 ft (0.0 m) |
| Longueur du système rond de 7" (17.8 cm) | = 13.0 ft (3.9 m) |

Système de décharge de 3¼" x 10" (8,3 cm x 25,4 cm)

| Composant | |
|---|---|
| 3¼" x 10" (8.3 cm x 25.4 cm) coude a 90° | 5.0 pi (1.5 m)  |
| 3¼" x 10" (8.3 cm x 25.4 cm) coude plat | 12.0 pi (3.7 m)  |
| Bouche de décharge murale de 3¼" x 10" (8.3 cm x 25.4 cm) | 0.0 pi (0.0 m)  |

Exemple de circuit d'évacuation



| | |
|--|-------------------|
| Longueur maximale recommandée | = 35 pi (10.7 m) |
| 1 - coude 90° | = 5.0 pi (1.5 m) |
| Section droite de 8 pi (2.4 m) | = 8.0 pi (2.4 m) |
| 1 - bouche de décharge murale | = 0.0 pi (0.0 m) |
| Longueur du système de 3¼" x 10" (8,3cm x 25.4 cm) | = 13.0 pi (3.9 m) |

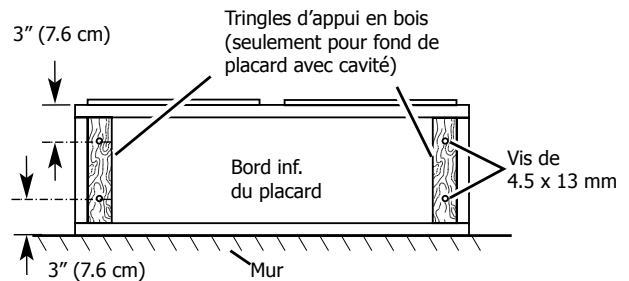
PRÉPARATION DE L'EMPLACEMENT

REMARQUE

Avant d'exécuter les découpages, vérifier la disponibilité d'un dégagement suffisant dans le plafond ou le mur pour le conduit d'évacuation.

1. Déconnecter la source de courant électrique.
2. Sélectionner une surface plane pour l'assemblage de la hotte. Placer le matériau de protection sur cette surface.
3. Soulever la hotte et la placer à l'envers sur une surface couverte.

4. Si le fond du placard forme une cavité, ajouter des tringles d'appui en bois de chaque côté. Installer les vis pour fixer les tringles d'appui aux emplacements indiqués.

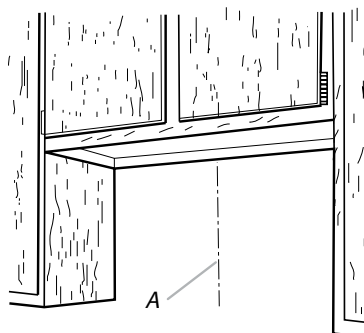


PRÉPARATION DE L'EMPLACEMENT

Déterminer l'emplacement du trou de passage du câble

1. Déterminer et tracer clairement l'axe central vertical sur le mur et le placard dans la zone où le passage du conduit d'évacuation sera réalisé.

A. Axe central

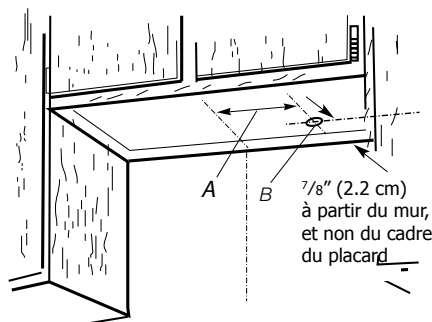


Câblage à travers le sommet du placard :

1. Tracer une ligne de distance (A) à partir de la droite de l'axe central, sur la face inférieure du placard. Sur cette ligne, marquer le point situé à $\frac{7}{8}$ " (2.2 cm) du mur arrière. Percer en ce point un trou de $1\frac{1}{4}$ " (3.2 cm) de diamètre (B) à travers le placard.

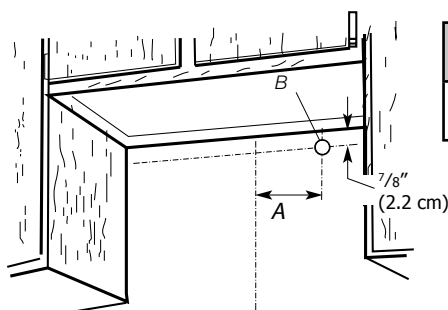
| modèle de la hotte | Dim A |
|--------------------|----------------------------|
| 30" & 36" modèles | $8\frac{3}{8}$ " (21.3 cm) |

A. Axe central



Passage du câble à travers le mur :

1. Tracer une ligne de distance (A) à partir de la droite de l'axe central, sur la face inférieure du mur. Marquer un point sur cette ligne qui se trouve à $\frac{7}{8}$ " (2.2 cm) de la face inférieure du placard. Percer en ce point un trou de $1\frac{1}{4}$ " (3.2 cm) de diamètre à travers la paroi arrière.



A. Axe Central

| modèle de la hotte | Dim A |
|--------------------|----------------------------|
| 30" & 36" modèles | $8\frac{3}{8}$ " (21.3 cm) |

VENTILATION

Choisissez décharge d'évacuation à partir des différents options listées - Style 1 - 4 qui suit:

Style 1 - Hotte à recyclage

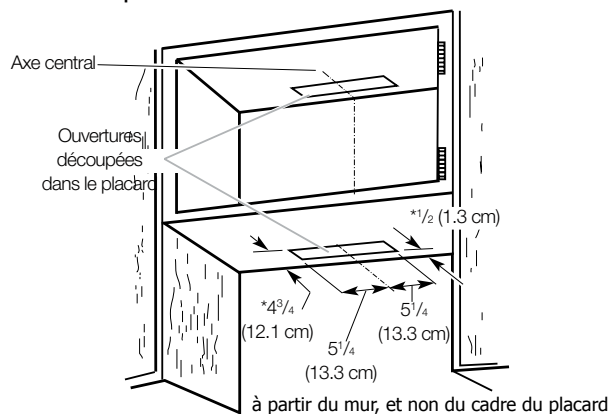
Pour cette installation, allez dans "Installation de la Hotte (recyclage version)" à la page 28.

Style 2 - Découpages d'ouverture pour un système d'évacuation rectangulaire de $3\frac{1}{4}$ " x 10" (8,3 cm x 25,4 cm)

Décharge à travers le toit

Découpage d'une ouverture rectangulaire de 4" x 10 $\frac{1}{2}$ " (10.16 cm x 26.7 cm) sur la face inférieure du sommet et du bas du placard :

1. Tracer des lignes à $\frac{1}{2}$ " (1,3 cm) et $4\frac{3}{4}$ " (12,1 cm) du mur arrière, sur l'axe central de la face inférieure du placard.
2. Tracer des lignes à $5\frac{1}{4}$ " (13,3 cm) de part et d'autre de l'axe central sur la face inférieure du placard.
3. Utiliser une scie sauteuse ou une scie à guichet pour découper l'ouverture rectangulaire pour le passage du conduit d'évacuation.
4. Répéter les étapes 1 à 3 pour la face inférieure du sommet du placard.



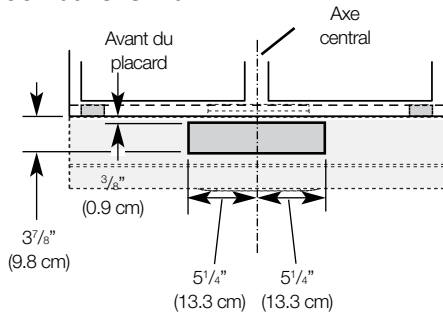
Évacuation par le mur

Découpage d'une ouverture rectangulaire de $3\frac{1}{2}$ " x 10 $\frac{1}{2}$ " (8,9 cm x 26,7 cm) dans le mur :

1. Mesurer 2 lignes de $\frac{3}{8}$ " (0,9 cm) et $3\frac{7}{8}$ " (9,8 cm) en descendant à partir de la face inférieure du placard et marquer leur emplacement sur l'axe central du mur arrière.
2. Tracer des lignes à $5\frac{1}{4}$ " (13,3 cm) de part et d'autre de l'axe central sur le mur.

PRÉPARATION DE L'EMPLACEMENT

3. Utiliser une scie sauteuse ou une scie à guichet pour découper l'ouverture rectangulaire du système d'évacuation dans le mur.

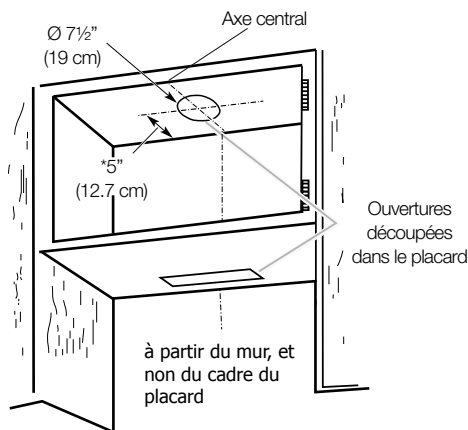


Style 3 – Découpages d'ouverture pour un conduit rond de 7" (17.8 cm) sur un transition rectangulaire de 3 1/4" x 10" (8,3 cm x 25,4 cm)

Décharge à travers le toit

Découpage d'une ouverture circulaire sur la face inférieure du sommet du placard :

1. Tracer un axe central sur la face inférieure du sommet du placard.
2. Tracer une ligne de 5" (12,7 cm) en partant du mur arrière sur la face inférieure du sommet du placard.
3. Utiliser un compas ou un gabarit circulaire pour tracer un cercle avec un diamètre de 7 1/2" (19 cm) supérieur à celui du conduit d'évacuation.



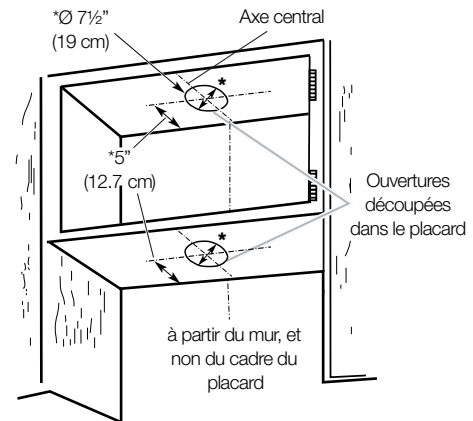
Style 4 - Découpages d'ouverture pour un système d'évacuation rond de 7" (17.8 cm)

Décharge à travers le toit

Pour le découpage d'ouvertures pour conduit rond sur la face inférieure du fond ou du sommet du placard :

REMARQUE: Le kit de transition rond de 7", Numéro de pièce 5304487139, est nécessaire pour cette installation.

1. Mark a centerline on the underside of the top of cabinet.
2. Mark a line 5" (12.7 cm) from the back wall on the underside of the top of cabinet.
3. Utiliser un compas ou un gabarit circulaire pour tracer un cercle avec un diamètre de 7 1/2" (19 cm). Utiliser une scie sauteuse ou une scie à guichet pour découper l'ouverture circulaire pour le passage du conduit d'évacuation
4. Répétez les étapes 1-3 pour le dessous de la partie supérieure du placard.



Installation du conduit d'évacuation

1. Installer le conduit d'évacuation à travers les ouvertures découpées dans le placard mural ou le mur. Achéver l'installation du système d'évacuation conformément à la méthode d'évacuation sélectionnée. Voir la section "Exigences concernant l'évacuation".
2. À l'aide d'un produit de calfeutrage, assurer l'étanchéité autour de la bouche de décharge à l'extérieur (à travers le mur ou le toit).

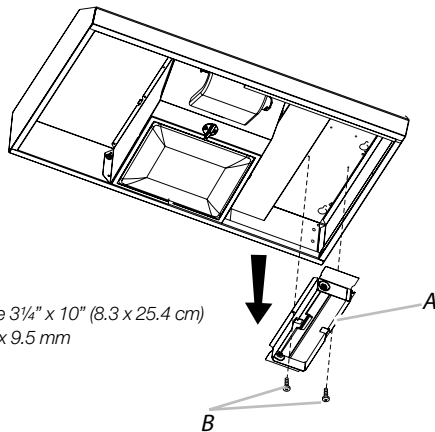
INSTALLATION DE LA HOTTE

INSTALLATION DE LA HOTTE (pour système d'évacuation)

REMARQUE

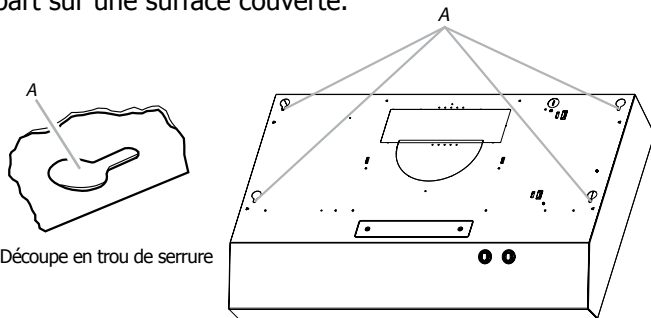
L'intérieur de la hotte peut comporter un clapet anti-reflux rectangulaire de 3 1/4" x 10" (8,3 x 25,4 cm).

1. Déballer le 3 1/4" x 10" (8,3 x 25,4 cm) conduit rectangulaire de l'intérieur de votre hotte de cuisinière. Pour détacher le connecteur, retirez les 2 vis de montage (.35 X .95 cm) et conserver les dans un endroit sûr pour réinstaller plus tard (voir étape 5).



A. conduit rectangulaire de 3 1/4" x 10" (8,3 x 25,4 cm)
B. vis de montage de 3,5 x 9,5 mm

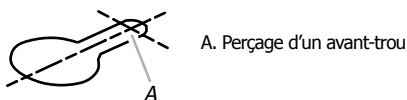
2. Soulever la hotte sous le placard et déterminer sa position d'installation finale en la centrant sous le placard. Sur la face inférieure du placard, marquer l'emplacement des 4 trous de montage sur la hotte (Voir les dimensions à la page 21). Placer la hotte à part sur une surface couverte.



A. Découpe en trou de serrure

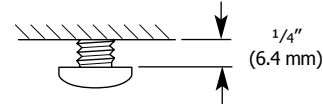
3. À l'aide d'un foret de 1/8" (3 mm), percer 4 avant trous tel qu'illustré.

REMARQUE: Faire des trous sur la zone mince de la fente.

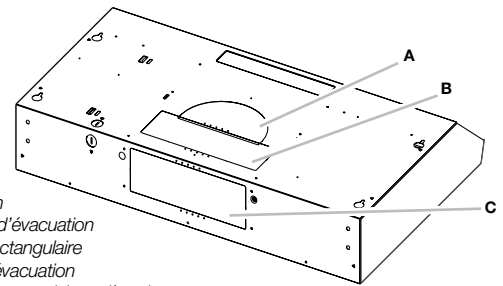


A. Perçage d'un avant-trou

4. Installer les 4 vis de montage .45 x 1.3 mm dans les avanttrous. Laisser un espace d'environ entre les têtes des vis et le placard pour faire glisser la hotte et la mettre en place.



5. Pour les installations avec passage par le toit, retirer l'opercule amovible rectangulaire supérieur du conduit d'évacuation. Pour les installations murales, retirer l'opercule amovible rectangulaire arrière.



A. Opercule amovible en demi-cercle du conduit d'évacuation
B. Opercule amovible rectangulaire supérieur du conduit d'évacuation
C. Opercule amovible rectangulaire arrière du conduit d'évacuation

6. Installer le clapet anti-reflux rectangulaire de 3 1/4" x 10" (8,3 x 25,4 cm). Fixez la hotte avec les vis de montage (.35 x .95 cm) que vous avez déjà supprimé (étape 1) et enlever le ruban adhésif du clapet.

Installation du cordon d'alimentation

1. Pour les installations à raccordement direct, acheminer le câble d'alimentation du domicile selon les prescriptions du Code national de l'électricité ou des normes CSA et des codes et règlements locaux. La longueur du câblage depuis le tableau de distribution (avec fusibles ou disjoncteurs) doit être suffisante pour réaliser facilement le raccordement dans le boîtier de connexion de la hotte. Pour les installations avec ensemble de cordon d'alimentation facultatif, suivre les instructions de la section "Raccordement électrique".

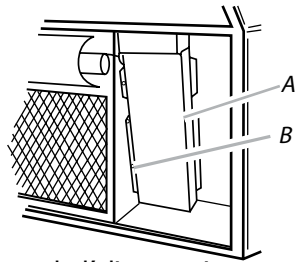
REMARQUE

Ne pas mettre le système sous tension avant d'avoir complètement terminé l'installation.

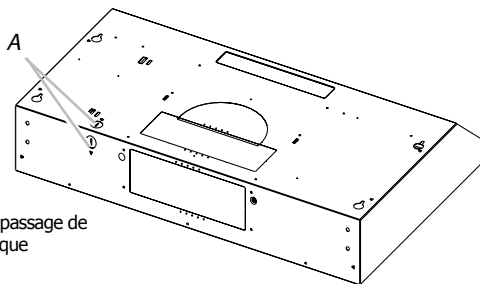
RACCORDEMENT ÉLECTRIQUE

2. Ôter la vis du couvercle du boîtier de connexion. Retirer le couvercle du boîtier de connexion et le mettre de côté.

A. Couvercle du boîtier de connexion
B. Vis



3. Ôter l'opercule pour le passage de l'alimentation électrique du sommet ou de l'arrière de la hotte de ventilation (selon l'emplacement du point d'entrée du câble d'alimentation du domicile) et installer un serre-câble de 1/2" homologué UL ou CSA.



A. Opercule pour le passage de l'alimentation électrique

4. À l'aide d'au moins deux personnes, soulever la hotte et la placer à son emplacement final. Insérer suffisamment de câble électrique à travers le serre-câble de 1/2" (homologation UL ou CSA) pour établir les connexions avec la boîte de connexion. Serrer les vis du serre-câble.
5. Positionner les trous allongés de la hotte par-dessus la tête des vis de montage. Puis pousser la hotte vers le mur pour engager la partie étroite des trous sur les vis de fixation. Serrer les vis de montage en s'assurant que les vis sont dans la partie étroite des trous de fixation des vis.
6. Raccorder le circuit d'évacuation à la hotte. Assurer l'étanchéité des jointures et la solidité de l'installation avec des brides pour conduits ou du ruban adhésif.
7. Vérifier que les clapets anti-reflux fonctionnent correctement.

REMARQUE

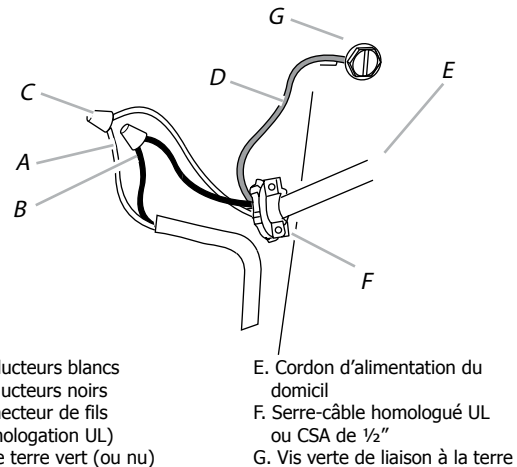
La transition rectangulaire de 3 1/4" x 10" (8,3 x 25,4 cm) peut être installée avec 1" (2,5 cm) de décalage dans le centre de la hotte de chaque côté, pour installer le conduit de ventilation.

RACCORDEMENT ÉLECTRIQUE

⚠ AVERTISSEMENT

Risque de choc électrique
Déconnecter la source de courant électrique avant l'entretien.
Replacer pièces et panneaux avant de faire la remise en marche.
Le non-respect de ces instructions peut causer un décès ou un choc électrique.

1. Déconnecter la source de courant électrique.



A. Conducteurs blancs
B. Conducteurs noirs
C. Connecteur de fils (homologation UL)
D. Fil de terre vert (ou nu)

E. Cordon d'alimentation du domicile
F. Serre-câble homologué UL ou CSA de 1/2"
G. Vis verte de liaison à la terre

2. Connecter ensemble les conducteurs blancs (A) à l'aide de connecteurs de fils (homologation UL).
3. Connecter les conducteurs noirs (B) aux connecteurs de fils (homologation UL).

⚠ AVERTISSEMENT

Risque d'incendie
Relier le ventilateur à la terre.
Utiliser du fil en cuivre.
Brancher le fil relié à la terre à la vis verte reliée à la terre dans la boîte de la borne.
Le non-respect de ces instructions peut causer un décès, un incendie ou un choc électrique.

4. Connecter le conducteur de liaison à la terre vert (ou nu) du câble d'alimentation du domicile à la vis verte de liaison à la terre dans la boîte de connexion et bien serrer.
5. Installer le couvercle du boîtier de connexion.
6. Reconnecter la source de courant électrique.

INSTALLATION DE LA HOTTE

Achever l'installation

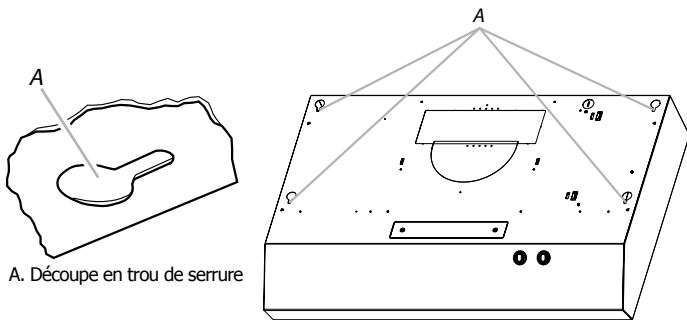
1. Installer l'ampoule à incandescence de 75 watts (maximum). Voir "Remplacement de l'ampoule à incandescence" à la section "Entretien de la hotte".
 2. Réinstaller le filtre à graisse s'il a été retiré. Voir la section "Entretien de la hotte".
 3. Contrôler le fonctionnement du ventilateur de la hotte et de la lampe. Voir la section "Utilisation de la hotte".
- Si la hotte ne fonctionne pas, déterminer si un disjoncteur s'est ouvert ou si un fusible du domicile est grillé. Déconnecter la source de courant électrique et inspecter les connexions du câblage.

REMARQUE

Pour pouvoir tirer le plus grand parti de la nouvelle hotte de cuisinière, lire la section "Utilisation de la hotte".

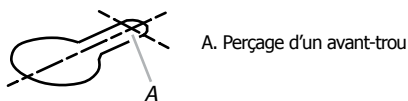
INSTALLATION DE LA HOTTE (Installation sans décharge à l'extérieur (recyclage))

1. Soulever la hotte sous le placard et déterminer sa position d'installation finale en la centrant sous le placard. Sur la face inférieure du placard, marquer l'emplacement des 4 trous de montage sur la hotte (Voir les dimensions à la page 21). Placer la hotte à part sur une surface couverte.

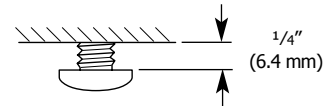


2. À l'aide d'un foret de 1/8" (3 mm), percer 4 avant trous tel qu'illustré.

REMARQUE: Faire des trous sur la zone mince de la fente.



3. Installer les 4 vis de montage .45 x 1.3 mm dans les trous. Laisser un espace d'environ entre les têtes des vis et le placard pour faire glisser la hotte et la mettre en place.



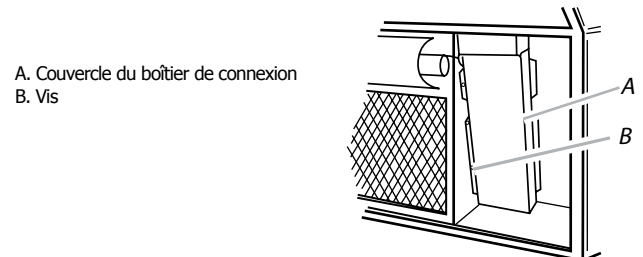
Installation du cordon d'alimentation

1. Pour les installations à raccordement direct, acheminer le câble d'alimentation du domicile selon les prescriptions du Code national de l'électricité ou des normes CSA et des codes et règlements locaux. La longueur du câblage depuis le tableau de distribution (avec fusibles ou disjoncteurs) doit être suffisante pour réaliser facilement le raccordement dans le boîtier de connexion de la hotte. Pour les installations avec ensemble de cordon d'alimentation facultatif, suivre les instructions de la section "Raccordement électrique".

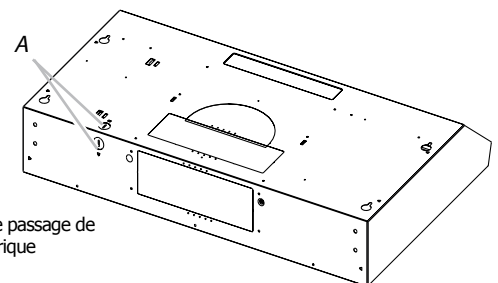
REMARQUE

Ne pas mettre le système sous tension avant d'avoir complètement terminé l'installation.

2. Ôter la vis du couvercle du boîtier de connexion. Retirer le couvercle du boîtier de connexion et le mettre de côté.



3. Ôter l'opercule pour le passage de l'alimentation électrique du sommet ou de l'arrière de la hotte de ventilation (selon l'emplacement du point d'entrée du câble d'alimentation du domicile) et installer un serre-câble de 1/2" homologué UL ou CSA.

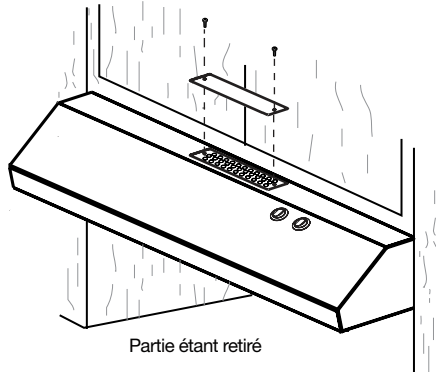


4. À l'aide d'au moins deux personnes, soulever la hotte et la placer à son emplacement final. Insérer suffisamment de câble électrique à travers le serre-câble de 1/2" (homologation UL ou CSA) pour établir les connexions avec la boîte de connexion. Serrer les vis du serre-câble.
5. Positionner les trous allongés de la hotte par-dessus la tête des vis de montage. Puis pousser la hotte vers le mur pour engager la partie étroite des trous sur les vis de fixation. Serrer les vis de montage en s'assurant que les vis sont dans la partie étroite des trous de fixation des vis.

Recyclage Couverture

Pour les recyclage installations, le couvercle de ventilation doit être retiré.

Retirez le couvercle de ventilation enlevant les 2 vis de fixation avec un tournevis cruciforme.

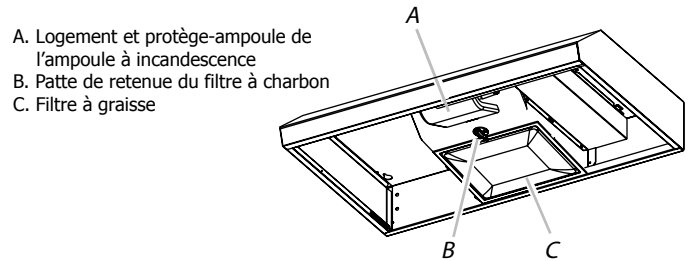


REMARQUE: Pour les installations qui sont décharge sur le toit ou au mur, le couvercle de ventilation de recirculation doit rester en place. Ne retirez pas comme unité ne fonctionnera pas bien.

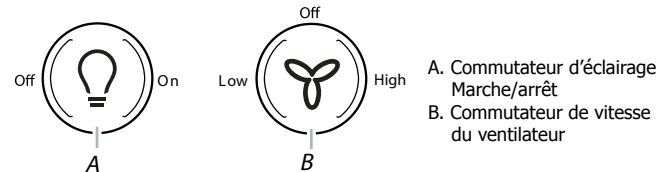
Pour terminer l'installation, allez dans "Raccordement électrique" à la page 27.

UTILISATION DE LA HOTTE

La hotte de cuisinière est conçue pour extraire fumée, vapeurs de cuisson et odeurs de la zone de la table de cuisson. Pour obtenir les meilleurs résultats, mettre le ventilateur de la hotte en marche avant d'entreprendre une cuisson, et laisser le ventilateur fonctionner pendant plusieurs minutes après l'achèvement d'une cuisson pour pouvoir évacuer de la cuisine toute trace d'odeur de cuisson, vapeur ou fumée. Les commandes de la hotte sont situées sur le sommet ou la face avant de la hotte.



Commandes de la hotte de cuisinière



Pour faire fonctionner la lampe

Pousser le commutateur d'éclairage vers la droite pour allumer la lumière.

Pousser le commutateur d'éclairage vers la gauche pour éteindre la lumière.

Fonctionnement du ventilateur

Pousser le commutateur du ventilateur vers la gauche pour la vitesse réduite. Pousser le commutateur du ventilateur vers la droite pour la vitesse élevée. Placer le commutateur du ventilateur au milieu pour arrêter le ventilateur.

ENTRETIEN DE LA HOTTE

Nettoyage

AVERTISSEMENT

Pour réduire le risque d'incendie ou de choc électrique déconnecter la source de courant électrique avant l'entretien.

IMPORTANT

Nettoyer fréquemment la hotte et les filtres à graisse en suivant les instructions suivantes. Réinstaller le filtre à graisse avant de faire fonctionner la hotte.

IMPORTANT

Surfaces externes

Ne pas utiliser de tampons de récurage savonneux, de nettoyeurs abrasifs, de crème à polir pour table de cuisson, de laine d'acier, de chiffons de lavage rugueux ou d'essuie-tout. Pour éviter d'endommager les surfaces en acier inoxydable, ne pas utiliser de nettoyeurs contenant du chlore.

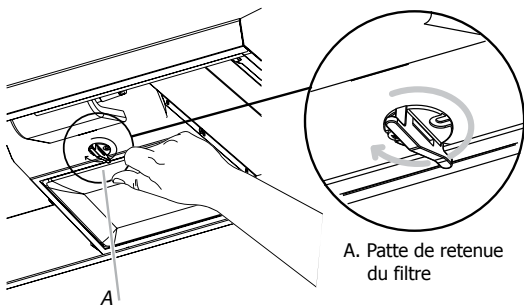
Méthode de nettoyage:

- Détergent liquide ou nettoyant tout-usage : Rincer à l'eau propre et sécher avec un chiffon doux sans charpie.
- Rincer à l'eau propre et sécher avec douceur, non pelucheux.
- Nettoyant à vitre pour éliminer les traces de doigts.
- Pour les modèles en acier inoxydable, frotter dans la direction du grain pour éviter d'égratigner ou d'endommager la surface.

REMARQUE: Le fini en acier inoxydable, propre en direction de brosse en acier inoxydable pour éviter de rayer ou endommager la surface.

Pour nettoyer ou remplacer le filtre à graisse:

1. Retirer la vis du retenue du filtre avec un tournevis cruciforme.
2. Tournez le retenue de filtre pour libérer le.

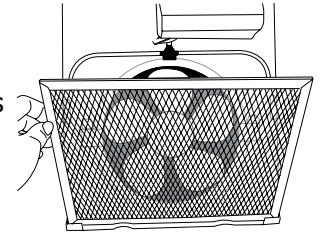


3. Remettez le filtre en plaçant le bord arrière dans le canal à l'arrière de la hotte. Pousser le filtre en place, tourner la retenue du filtre pour immobiliser le filtre à hotte.

4. Revisser dans la retenue du filtre.

5. Pour nettoyer le filtre à graisse, faire tremper les filtres dans l'eau chaude avec un détergent doux.

Rincez bien et secouez-le pour sécher. Ou dans le panier supérieur du lave-vaisselle à nettoyer.



REMARQUE: Ne pas utiliser d'ammoniaque. L'aluminium sur le filtre à graisse se corrode et fonce.

REMARQUE: Vous pouvez utiliser soit lave-vaisselle ou une solution détergente chaude et rincez à l'eau potable.

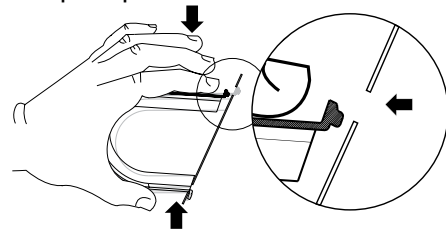
REMARQUE

Le filtre à graisse peuvent être nettoyés au lave-vaisselle.

Pour éviter d'endommager le filtre à graisse pendant le nettoyage, place de filtre sur le plateau supérieur lave-vaisselle.

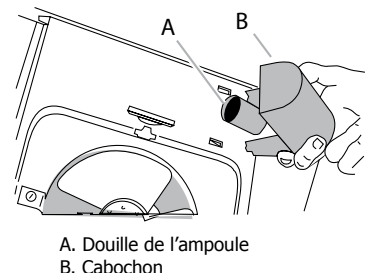
Remplacement de l'ampoule à incandescence

1. Éteindre la hotte et laisser l'ampoule refroidir.
2. Déconnecter la source de courant électrique.
3. Exercer une pression sur le cabochon en plastique de protection pour pouvoir le retirer de la hotte.



4. Visser la lampe (75W max, 120V) dans la douille.
5. Réinstaller le cabochon : exercer une pression sur le cabochon pour pouvoir insérer les pattes dans les ouvertures d'insertion.
6. Reconnecter la source de courant électrique.

Si la nouvelle lampe ne fonctionne pas, vérifier que la lampe est correctement insérée dans sa douille avant de demander l'intervention d'un dépanneur.



A. Douille de l'ampoule
B. Cabochon

Kit de filtre à Graisse / Charbon

Pour recirculation hotte, un filtre à charbon est disponible en option. Vous pouvez commander avec le numéro de pièce 5304486302. Le filtre à charbon n'est pas lavable. Il devrait durer jusqu'à 6 mois en utilisation normale.

Remplacez le filtre à charbon avec une vieille nouveau filtre à charbon.

| Problème | Cause | Solution |
|---|--|--|
| Après l'installation, l'appareil ne fonctionne pas. | 1. La ligne électrique et le raccord de câble ne sont pas correctement branchés. | 1. Vérifiez que le branchement de l'appareil a été fait correctement. |
| | 2. Les fils électriques du switches de commande sont débranchés. | 2. Assurez-vous que les fils électriques sont branchés convenablement. |
| Les lumières fonctionnent mais le moteur ne tourne pas. | 1. Le moteur est défectueux, possiblement bloqué. | 1. Changez le moteur. |
| | 2. La protection thermique détecte si le système du moteur est trop chaud pour fonctionner et éteindre le moteur | 2. Le moteur fonctionnera correctement après la protection thermique du système refroidir. |
| | 4. Le fil du moteur n'est pas branché. | 4. Assurez-vous que le fil du moteur est branché dans le connecteur Molex. |
| L'appareil vibre. | 1. Le moteur n'est pas bien fixé à la structure. | 1. Fixez solidement le moteur en place. |
| | 2. La roue du ventilateur est endommagée. | 2. Changez le ventilateur. |
| | 3. La hotte n'est pas bien fixée en place. | 3. Vérifiez l'installation de la hotte. |
| Le moteur fonctionne mais pas les lumières. | 1. L'ampoule est défectueuse. | 1. Changez l'ampoule halogène. |
| | 2. L'ampoule est desserrée. | 2. Serrez l'ampoule. |
| | 3. Les fils électriques du switch du lumière ne sont pas assez serrés. | 3. Assurez-vous que les fils sont convenablement branchés. |
| La hotte ne fonctionne pas bien. | 1. La hotte est possiblement installée trop haute par rapport à la cuisinière. | 1. Assurez-vous que la distance entre la surface de la cuisinière et la base de la hotte est entre 24" et 32". |
| | 2. Du vent provenant d'une fenêtre ou d'une porte ouverte avoisinante nuit à la ventilation | 2. Fermez toutes les portes et fenêtres pour éliminer les courants d'air. |
| | 3. L'ouverture du conduit ou le conduit lui-même est bloqué. | 3. Enlevez tout ce qui bloque l'ouverture ou le conduit d'aération. |
| | 4. La sortie du conduit est orienté vers le vent. | 4. Changez l'orientation de la sortie du conduit. |
| | 5. Mauvaises dimensions de conduit d'aération. | 5. Utilisez un conduit de dimension adéquate. |
| Le filtre en métal vibre. | 1. Le filtre à graisse est desserré. | 1. Assurez-vous que la poignée à ressort fonctionne toujours. |
| | 2. La poignée bouge difficilement | 2. Remplacez le filtre à graisse |

Garantie

Votre appareil est couvert par une garantie limitée d'un an. Pendant un an à partir de la date d'achat originale, Electrolux assumera les coûts des réparations ou du remplacement des pièces de tout appareil qui présente un défaut de fabrication ou de matériau, si cet appareil est installé, utilisé et entretenu selon les instructions fournies avec celui-ci.

Exclusions Cette garantie ne couvre pas ce qui suit :

1. Les produits dont le numéro de série original a été enlevé, modifié ou n'est pas facilement déterminable.
2. Les produits qui ont été transférés de leur propriétaire initial à une autre partie ou qui ne sont plus aux États-Unis ou au Canada.
3. La rouille à l'intérieur ou à l'extérieur de l'appareil.
4. Les produits vendus « tels quels » ne sont pas couverts par cette garantie.
5. Les aliments perdus en raison de pannes du réfrigérateur ou du congélateur.
6. Les produits utilisés dans les établissements commerciaux.
7. Les appels de service qui ne concernent pas un mal fonctionnement, un défaut de fabrication ou un vice de matériau ou pour les appareils qui ne sont pas l'objet d'un usage domestique ou qui ne sont pas utilisés conformément aux instructions fournies.
8. Les appels de service pour vérifier l'installation de votre appareil ou pour obtenir des instructions sur la façon d'utiliser votre appareil.
9. Les frais qui rendent l'appareil accessible pour une réparation, par exemple enlever des garnitures, les armoires, les étagères, etc. qui ne faisaient pas partie de l'appareil lorsqu'il a quitté l'usine.
10. Les appels de service au sujet de la réparation ou du remplacement des ampoules, des filtres à air, des filtres à eau, d'autre matériel ou des boutons, poignées ou autres pièces esthétiques.
11. Les frais supplémentaires, y compris, sans s'y limiter, les appels de service après les heures normales de bureau, le week-end ou les jours fériés, les droits et péages, les frais de convoyage ou les frais de déplacement pour les appels de service dans des endroits isolés, notamment dans l'État de l'Alaska.
12. Les dommages causés au fini de l'appareil ou à la maison pendant l'installation, y compris, sans s'y limiter, aux planchers, aux armoires, aux murs, etc.
13. Les dommages causés par : des réparations faites par des techniciens non autorisés; l'utilisation de pièces autres que les pièces Electrolux d'origine qui n'ont pas été obtenues par l'entremise d'un réparateur autorisé; ou les causes étrangères comme l'abus, l'alimentation électrique inadéquate, les accidents, les incendies ou les cas de force majeure.

AVIS DE NON RESPONSABILITÉ SUR LES GARANTIES IMPLICITES; LIMITATIONS DES RECOURS L'UNIQUE RECOURS DU CLIENT EN VERTU DE CETTE GARANTIE LIMITÉE EST LA RÉPARATION OU LE REMPLACEMENT DU PRODUIT COMME DÉCRIT PRÉCÉDEMMENT. LES DEMANDES BASÉES SUR DES GARANTIES IMPLICITES, Y COMPRIS LES GARANTIES IMPLICITES DE QUALITÉ MARCHANDE ET D'ADAPTATION À UN USAGE PARTICULIER SONT LIMITÉES À AU MOINS UN AN OU À LA PÉRIODE LA PLUS COURTE PERMISE PAR LA LOI. ELECTROLUX NE SERA PAS TENUE RESPONSABLE DES DOMMAGES DIRECTS OU INDIRECTS NI DES DOMMAGES MATÉRIELS ET DES DÉPENSES IMPRÉVUES RÉSULTANT D'UNE VIOLATION DE CETTE GARANTIE ÉCRITE OU DE TOUTE AUTRE GARANTIE IMPLICITE. CERTAINS ÉTATS ET CERTAINES PROVINCES NE PERMETTENT PAS DE RESTRICTION OU D'EXEMPTION SUR LES DOMMAGES DIRECTS OU INDIRECTS OU DE RESTRICTION SUR LES GARANTIES IMPLICITES. DANS CE CAS, CES RESTRICTIONS OU EXEMPTIONS POURRAIENT NE PAS ÊTRE APPLICABLES. CETTE GARANTIE ÉCRITE VOUS PROCURE DES DROITS LÉGAUX SPÉCIFIQUES. IL SE PEUT QUE VOUS AYEZ D'AUTRES DROITS QUI VARIENT SELON L'ÉTAT OU LA PROVINCE.

Si vous avez besoin d'une réparation Conservez votre reçu, votre bon de livraison ou une autre preuve valide de paiement pour établir la période de la garantie dans le cas où vous devriez faire appel aux services d'un technicien autorisé. Si une réparation doit être effectuée, veuillez obtenir et conserver tous les reçus.

Le service auquel vous avez recours en vertu de cette garantie doit être obtenu en communiquant avec Electrolux à l'adresse ou aux numéros de téléphone indiqués ci-dessous. Cette garantie n'est valide qu'aux États-Unis et au Canada. Aux États-Unis, votre appareil est garanti par Electrolux Major Appliances North America, une division de Electrolux Home Products, Inc. Au Canada, votre appareil est garanti par Electrolux Canada Corp. Personne n'est autorisée à modifier ou à ajouter aux obligations contenues dans cette garantie. Les obligations de cette garantie concernant la réparation et les pièces doivent être remplies par Electrolux ou par une compagnie de réparation autorisée. Les caractéristiques et spécifications décrites ou illustrées peuvent être modifiées sans préavis.

USA
1.282.622.373
Electrolux Major Appliances
North America
10200 David Taylor Drive
Charlotte, NC 28262

Canada
1.800.265.8352
Electrolux Canada Corp.
5855 Terry Fox Way
Mississauga, Ontario, Canada
L5V 3E4

CONTENIDO

| | |
|---|----|
| Instrucciones de seguridad importantes..... | 34 |
| Lista de materiales..... | 36 |
| Requisitos eléctricos | 36 |
| Requisitos de ubicación | 37 |
| Dimensiones del producto..... | 37 |
| Requisitos de ventilación | 38 |
| Prepare el montaje..... | 39 |
| Instalación de la campana (versión aspirante)..... | 41 |
| Haga la conexión eléctrica..... | 43 |
| Instalación de la campana (versión recirculante)..... | 43 |
| Uso de la campana..... | 44 |
| Mantenimiento de la campana..... | 45 |
| Resolución de problemas..... | 46 |
| Garantía..... | 47 |

Visite nuestro sitio
www.frigidaire.com
para conocer la línea completa de accesorios

Gracias por escoger **Frigidaire**.

Esta Guía de Uso y Mantenimiento es parte de nuestro compromiso con la satisfacción del cliente y la calidad del producto a través de la vida útil de su nuevo electrodoméstico. Nosotros consideramos su compra como el inicio de una relación. Por favor use esta página para registrar la información importante de su producto. Para continuar sirviéndole, registre la información importante de su producto.

Necesita Ayuda??

Visite nuestro web site en www.frigidaire.com

Antes de llamar al servicio técnico, he aquí unas recomendaciones que pueden ayudarnos a servirle mejor.

Lea este manual de Uso y Cuidado.

Ya que contiene instrucciones que le ayudarán a usar y darle mantenimiento a su campana de manera adecuada.

Si usted recibe una campana dañada...

Contacte inmediatamente al distribuidor que le vendió el aparato.

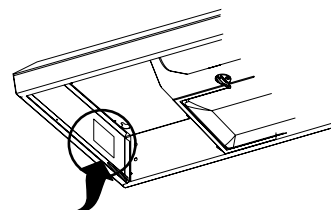
Ahorre tiempo y dinero.

Vea la lista "Antes de llamar". Esta sección le ayudará a solucionar los problemas más comunes que puedan ocurrirle. Si necesita servicio, la ayuda está solo a una llamada de distancia. Llame a los teléfonos de Servicio al Cliente Frigidaire al **1-800-944-9044**.

Registro del Producto

Registrando su producto con Frigidaire nos permite continuar sirviéndole. Puede registrarse online en **www.frigidaire.com** enviando su tarjeta de registro del producto por correo.

Ubicación de la etiqueta serial



Ubicación de la etiqueta serial:
Encuéntrela en el lado izquierdo de la pared interior de la campana

Registre sus números de serie y modelo aquí

Fecha de compra

Modelo

Número de serie

INSTRUCCIONES DE SEGURIDAD IMPORTANTES

Lea las Instrucciones antes de utilizar este aparato

Guarde estas instrucciones para futuras referencias.

Aprobado para uso residencial

Solo para uso doméstico

No intente instalar u operar su electrodoméstico hasta que haya leído las precauciones de seguridad en este manual. Los aspectos de seguridad en este manual están señalados con las palabras ADVERTENCIA o PRECAUCIÓN basados en el tipo de riesgo.

⚠ Este es el símbolo de alerta de seguridad. Se utiliza para alertarlo sobre riesgos de daños corporales potenciales. Obedezca todos los mensajes de seguridad que contengan este símbolo para evitar un posible daño o la muerte.

⚠ ADVERTENCIA

Este símbolo le alerta de situaciones que puedan provocar serios daños físicos, la muerte o daños de la propiedad.

⚠ PRECAUCIÓN

PRECAUCIÓN indica una situación potencialmente riesgosa y que, de no ser evitada, puede resultar en un daño moderado o menor.

➡ IMPORTANTE

IMPORTANTE indica información valiosa acerca de la instalación, operación, mantenimiento que no está relacionada con ningún riesgo.

INSTRUCCIONES DE SEGURIDAD IMPORTANTES

⚠ PRECAUCIÓN

SOLO PARA VENTILACIÓN GENERAL. **NO SE USE PARA EXTINGUIR MATERIALES O VAPORES RIESGOSOS O EXPLOSIVOS.**

⚠ ADVERTENCIA

PARA REDUCIR EL RIESGO DE INCENDIO, CHOQUE ELÉCTRICO O LESIONES, SIGA LAS SIGUIENTES INDICACIONES:

- Use esta unidad sólo de la manera para lo que fue diseñada por el fabricante. Si tiene preguntas, póngase en contacto con el fabricante.
- Antes de dar servicio o limpiar esta unidad, apague el suministro de energía en el panel de servicio, y bloquee los medios de desconexión del servicio para evitar que se encienda accidentalmente el suministro de energía. Cuando el medio de desconexión del servicio no se pueda bloquear, sujete de manera segura un dispositivo de advertencia prominente, como podría ser una etiqueta, al panel de servicio.
- El trabajo de instalación y cableado se debe llevar a cabo por una persona(s) calificada(s), en conformidad con todos los códigos y estándares aplicables, incluyendo construcciones clasificadas como resistentes al fuego.
- Es necesario que haya suficiente aire para la adecuada combustión y ventilación de gases a través del conducto (la chimenea) del equipo que consume combustible, para evitar que ocurra contratiempo. Siga la guía y los estándares de seguridad del fabricante del equipo de calefacción, como serían aquéllos publicados por National Fire Protection Association (NFPA) (Asociación nacional de protección contra incendios), American Society for Heating, Refrigeration and Air Conditioning Engineers (ASHRAE) (Sociedad estadounidense para ingenieros de calefacción, refrigeración y acondicionamiento de aire) y las autoridades de códigos locales.
- Cuando corte o taladre en una pared o techo, no dañe el cableado ni otros servicios públicos.

⚠ PRECAUCIÓN

Para reducir el riesgo de incendio y para ventilar el aire adecuadamente, asegúrese de dirigir el conducto de ventilación hacia el exterior - no ventile el aire de salida a espacios dentro de paredes o techos, áticos, espacios angostos o garajes.

⚠ ADVERTENCIA

PARA REDUCIR EL RIESGO DE INCENDIO, SÓLO USE CONDUCTOS METÁLICOS.

INSTRUCCIONES DE SEGURIDAD IMPORTANTES

ADVERTENCIA

ADVERTENCIA: A fin de reducir el riesgo de incendio o de choque eléctrico, no use este ventilador con ningún dispositivo semiconductor para el control de la velocidad.

ADVERTENCIA

PARA REDUCIR EL RIESGO DE INCENDIO PROVOCADO POR GRASA EN LA SUPERFICIE DE LA ESTUFA:

- a) Nunca deje las unidades de superficie sin vigilancia cuando estén en ajustes altos. Los derrames por hervor causan salpicaduras grasosas y humeantes, las cuales pueden encenderse. Caliente los aceites lentamente y con ajustes bajos o medios.
- b) Siempre ENCIENDA la campana cuando cocine con calor alto o cuando flamee alimentos (por ejemplo, crepes Suzette, cerezas Jubileo y flameado de carne de res con pimienta).
- c) Limpie los ventiladores con frecuencia. No permita que se acumule la grasa en el ventilador o en el filtro.
- d) Use cacerolas del tamaño adecuado. Siempre use utensilios de cocción que sean los adecuados para el tamaño del elemento de la superficie.

ADVERTENCIA

PARA REDUCIR EL RIESGO DE LESIONES A PERSONAS SI SE PRENDE FUEGO EN LA SUPERFICIE DE LA ESTUFA OCASIONADO POR GRASA, OBSERVE LO SIGUIENTE

- a) EXTINGA LAS LLAMAS con una tapa que encaje muy bien, una bandeja para galletas o una bandeja metálica, y luego apague el quemador. TENGA CUIDADO PARA EVITAR QUEMADURAS. Si las llamas no se extinguen de inmediato, EVACUE Y LLAME AL DEPARTAMENTO DE BOMBEROS.
- b) NUNCA AGARRE UNA CACEROLA QUE ESTÉ ARDIENDO - podría quemarse.
- c) NO UTILICE AGUA ni artículos de limpieza con agua, incluyendo paños para vajilla o toallas mojadas - podría ocurrir una explosión de vapor violenta.
- d) SÓLO use un extinguidor si:
 - Sabe a ciencia cierta que tiene un extinguidor de clase ABC y ya sabe cómo utilizarlo.
 - El incendio es pequeño y se encuentra contenido en el lugar en donde se inició.
 - Ha llamado al departamento de bomberos.
 - Puede apagar el fuego teniendo una salida segura a sus espaldas

a Basado en "Consejos de seguridad para fuegos de cocina", publicado por el NFPA (Asociación nacional de protección contra incendios).

OPERACIÓN

Deje siempre las parrillas de protección y los filtros en su lugar. Sin estos componentes, los motores en operación pueden atorarse en el cabello, dedos y ropa suelta.

El fabricante se deslinda de toda responsabilidad en caso de omisión de las instrucciones de instalación, mantenimiento y uso del producto presentes en esta guía. El fabricante declina toda responsabilidad por daños ocasionados por negligencia y la garantía de la unidad automáticamente expirará debido al mantenimiento incorrecto.

LISTA DE MATERIALES

LISTA DE MATERIALES

Partes incluidas con su campana

- 4 - tornillos de montaje de 0.45 x 1.3 cm
- Transición metálica rectangular de 3¼" x 10" (8.3 x 25.4 cm).

NOTA: Un kit de transición redonda de 7" se encuentra también disponible. Puede ordenar este kit con el número de parte 5304487139.

Parts Needed

- 2 - conectores para cables que estén en la lista de UL
- 1 foco incandescente de 75 W como máximo y 120 V
- Cubierta para pared o techo con compuerta de tiro para que coincida con el sistema de ventilación.
- Abrazaderas para ducto/cinta para ducto, según se necesite.
- Sujeta cables de ½" enlistados por UL o CSA.

Herramientas/Materiales requeridos

- Taladro
- Broca 1¼" (3.0 cm)
- Broca ⅛" (3.0 mm) para los orificios piloto
- Lápiz
- Pelacables o cuchillo de uso general
- Cinta de medir o regla
- Pistola para silicón y silicón o pasta resanadora a prueba de agua
- Destornillador de hoja plana
- Destornillador Phillips
- Sierra de vaiven o sierra caladora

Para armarios con bases empotradas:

- Dos tiras de relleno de 2" (5,1 cm) de ancho. La longitud y el espesor están determinados por las dimensiones del hueco.
- Cuatro tornillos de cabeza plana para madera o tornillos para metales con abrazaderas y tuercas (para sujetar las tiras de relleno).

REQUISITOS ELÉCTRICOS

Observe todos los códigos y reglamentos aplicables. Asegúrese de que la instalación eléctrica sea adecuada y en conformidad con el National Electrical Code (Código Nacional Eléctrico), ANSI/NFPA 70 (última edición) o las normas de CSA C22.1-94, Canadian Electrical Code (Código Canadiense de Electricidad), Parte 1 y C22.2 N° 0-M91 (última edición), y todos los códigos y ordenanzas locales.

Si los códigos lo permiten y se emplea un alambre de conexión a tierra separado, es recomendable que un electricista calificado determine si la trayectoria de conexión a tierra es adecuada.

Usted puede obtener una copia de las normas de los códigos arriba indicadas en:

National Fire Protection Association

One Batterymarch Park
Quincy, MA 02269

CSA International

8501 East Pleasant Valley Road
Cleveland, OH 44131-5575

- Se necesita un circuito eléctrico de 120 voltios, 60 hertzios, CA solamente, de 15 amperios y protegido con fusibles.
- Si la casa tiene cableado de aluminio, siga el procedimiento a continuación:
 1. Conecte una sección de alambre de cobre sólido a los conductores flexibles.
 2. Conecte el cableado de aluminio a la sección añadida de alambre de cobre usando conectores especiales y/o herramientas diseñadas y de la lista de UL para unir el cobre al aluminio.

Siga el procedimiento recomendado por el fabricante del conector eléctrico. La conexión de cobre/aluminio deberá hacerse en conformidad con los códigos locales y las prácticas de cableado aceptadas por la industria.

- El calibre de los cables y las conexiones deben hacerse de acuerdo con la clasificación del electrodoméstico, como se especifica en la placa de clasificación del modelo/de la serie. La placa del modelo/de la serie está ubicada detrás del filtro, en la pared posterior de la campana.
- El calibre de los cables deben hacerse de acuerdo a los requisitos del National Electrical Code (Código Nacional Eléctrico), ANSI/NFPA 70 (última edición) o las normas de CSA C22. 1-94 Canadian Electrical Code (Código Canadiense de Electricidad), Parte 1 y C22.2 N° 0-M91 (última edición), y todos los códigos y ordenanzas locales.

REQUISITOS DE UBICACIÓN

➔ IMPORTANTE

Observe todos los códigos y reglamentos aplicables.

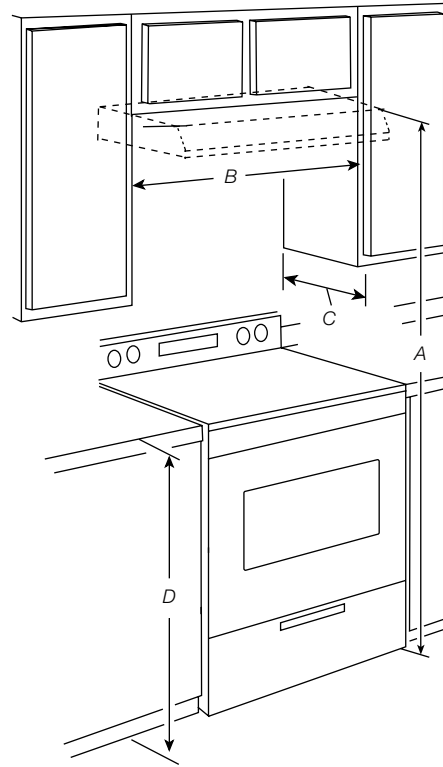
- Es la responsabilidad del instalador cumplir con los espacios de instalación especificados en la placa con la clasificación de modelo/serie. La placa con la clasificación de modelo/ serie está ubicada dentro de la campana para cocina, sobre la pared izquierda. La ubicación de la campana para cocina deberá estar lejos de zonas con corrientes fuertes de aire, tales como ventanas, puertas u orificios de calefacción fuertes.
- Deben usarse las dimensiones de la abertura del armario que se muestran. Las dimensiones proporcionadas proveen los espacios mínimos. Consulte las instrucciones de instalación del fabricante de la superficie de cocción/estufa antes de hacer ningún corte.
- Se requiere un enchufe eléctrico con conexión a tierra. Vea la sección "Requisitos eléctricos".
- Se deben sellar todas las aberturas en el techo y la pared en donde se va a instalar la campana para cocina.

Para la instalación en Casas rodantes

La instalación de esta campana de cocina debe ajustarse a los Manufactured Home Construction Safety Standards (Estándares de seguridad y construcción de casas fabricadas), Título 24 CFR, Parte 328 (anteriormente conocido como Federal Standard for Mobile Home Construction and Safety [Estándar federal para la seguridad y construcción de casas rodantes], Título 24, HUD Parte 280), o cuando dicho estándar no sea aplicable, el Manufactured Home Installation (Estándar para Instalación en casas fabricadas) de 1982 (Manufactured

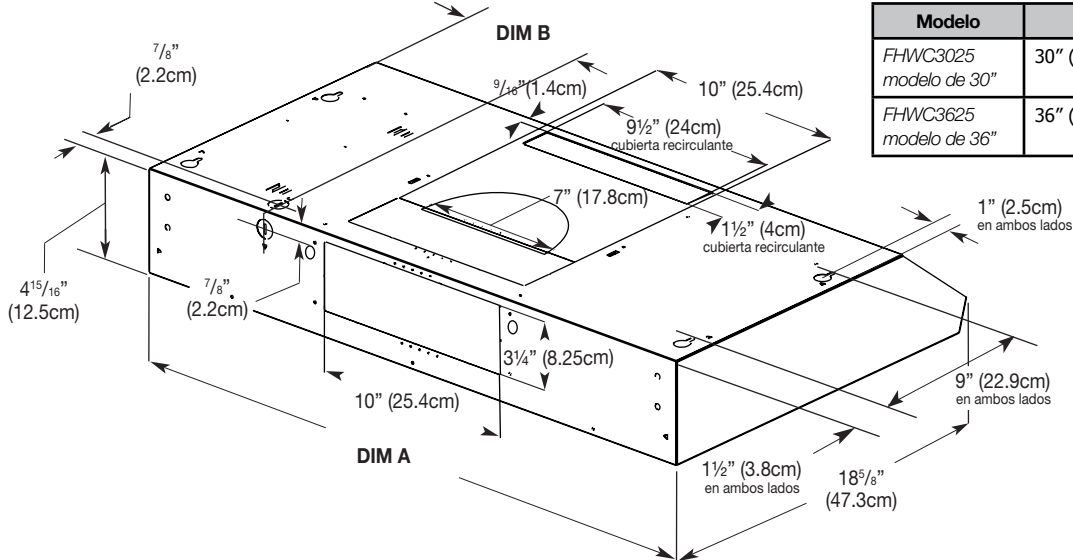
Home Sites, Communities and Setups [Obras, comunidades y proyectos de casas fabricadas]), ANSI A225.1/NFPA 501A, o la última edición o con los códigos locales.

Dimensiones del Gabinete



- A. Mínimo sugerido de 66" (167 cm) de la campana al suelo.
- B. 30" (76,2 cm) de ancho mínimo de la abertura para las campanas de 30", y 36" (91,4 cm) de ancho mínimo para las campanas de 36"
- C. 13" (33,0 cm) de profundidad del armario
- D. Altura de la base al armario de 36" (91,4 cm)

DIMENSIONES DEL PRODUCTO



| Modelo | Dim A | Dim B |
|---------------------------|----------------|--|
| FHWC3025 modelo de 30" | 30" (76.2 cm) | 6 ⁹ / ₁₆ " (16.7 cm) |
| FHWC3625 modelo de 36" | 36" (91.44 cm) | 9 ¹ / ₂ " (24.3 cm) |

REQUISITOS DE VENTILACIÓN

- El sistema de ventilación debe terminar en el exterior, excepto para las instalaciones sin ducto de escape (con recirculación).
- No dirija la salida del sistema de ventilación hacia el desván u otra área cerrada.
- No utilice una cubierta de pared de tipo para lavandería de 4" (10,2 cm).
- Use un ducto de escape de metal rectangular de 3¼" x 10" (8,3 x 25,4 cm), según los requisitos para su instalación. Se recomienda un ducto de escape de metal rígido. No se recomienda ducto de escape de plástico u hoja metálica.
- El largo del sistema de ventilación y el número de codos se deben mantener al mínimo para proveer un funcionamiento eficaz.

Para obtener el funcionamiento más eficaz y silencioso:

- No use más de 3 codos de 90°.
- Asegúrese de que haya un mínimo de 24" (61 cm) de ducto de escape recto entre los codos, si se utiliza más de 1 codo.
- No instale 2 codos lado a lado.
- Use abrazaderas o cinta para ductos para sellar todas las juntas en el sistema de ventilación.
- El sistema de ventilación debe tener una válvula de contratiro en la salida.
- Utilice pasta resanadora para sellar la abertura exterior de la pared o el techo alrededor de la cubierta.
- El mejor rendimiento es alcanzado con un sistema de ventilación recto sin codos y usando ductos lisos.
- Longitud máxima recomendada del sistema de ductos: 35 ft (10,7m).

Instalaciones en climas fríos

Como parte del sistema de ventilación, se deberá instalar una compuerta de contratiro adicional para minimizar el flujo de aire frío hacia atrás, y un dispositivo de interrupción térmico para minimizar la conducción de las temperaturas exteriores. La compuerta deberá estar en el lado del aire frío del dispositivo de interrupción térmico.

El dispositivo de interrupción deberá estar lo más cerca posible del lugar donde el sistema de ventilación entra a la parte con calefacción de la casa.

Aire de complemento

Los códigos locales de construcción podrían requerir el uso de sistemas de aire de complemento, en el caso de que se usen sistemas de ventilación con un movimiento de aire mayor a los CFM (pies cúbicos por minuto) especificados.

Los pies cúbicos por minuto especificados varían entre localidades. Consulte a su profesional de Calefacción, Ventilación y Acondicionamiento de Aire (HVAC) para obtener información sobre los requisitos particulares en su zona.

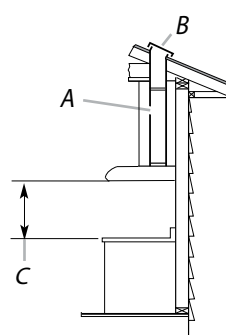
Métodos de ventilación

El sistema de ventilación puede terminar a través del techo o la pared. Use un ducto de escape rectangular de 3¼" x 10" (8,3 x 25,4 cm) con una longitud máxima de 35 pies (10,7 m) o un ducto de escape redondo de 7" (17,8 cm) o más grande, con una longitud máxima de 50 pies (15,2 m) para el sistema de ventilación.

NOTA

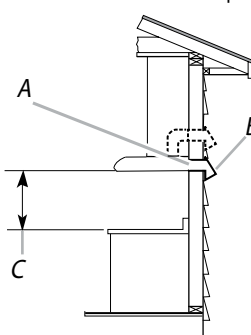
No se recomienda el uso de ductos de escape flexibles. Los ductos de escape flexibles crean contrapresión y turbulencia de aire, lo cual reduce el desempeño en gran medida.

Ventilación a través del techo



- A. Ducto de escape rectangular de 3¼" x 10" (8,3 x 25,4 cm) a través del techo (se compra por separado).
- B. Cubierta para techo con compuerta (se compra por separado)
- C. 18" (45,7 cm) como mínimo hasta 24" (61,0 cm) como máximo por encima de la superficie de cocción.

Ventilación a través de la pared





- A. Ducto de escape rectangular de 3¼" x 10" (8,3 x 25,4 cm) a través de la pared o de la parte superior (se compra por separado).
- B. Cubierta para pared con compuerta (se compra por separado)
- C. 18" (45,7 cm) como mínimo hasta 24" (61,0 cm) como máximo por encima de la superficie de cocción.

REQUISITOS DE VENTILACIÓN

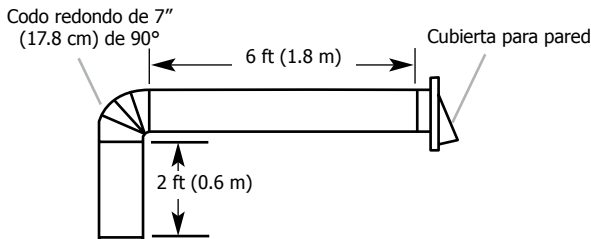
Calcular la longitud del sistema de ventilación

Para calcular el largo del sistema que necesita, sume los pies (metros) equivalentes para cada porción de ducto de escape que se utilice en el sistema.

Sistema de ventilación redondo de 7" (17.8 cm)




| Pieza | | |
|-------------------------------------|----------------|---|
| Codo de 90° | 5.0 ft (1.5 m) |  |
| Cubierta para pared de 7" (17.8 cm) | 0.0 ft (0.0 m) |  |

Ejemplo de sistema de ventilación

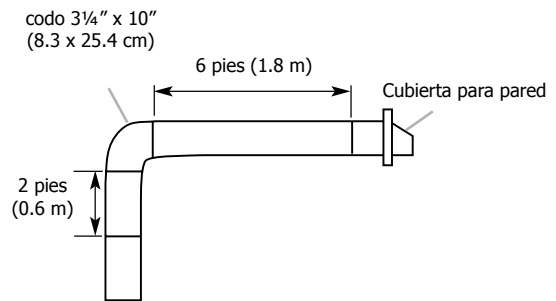


| | |
|--------------------------------------|-------------------|
| Longitud Máxima Recomendada | = 50 ft (15.2 m) |
| 1 - Codo de 90° | = 5.0 ft (1.5 m) |
| Porción recta de 8 ft (2.4 m) | = 8.0 ft (2.4 m) |
| 1 - cubierta para pared | = 0.0 ft (0.0 m) |
| Longitud del sistema de 7" (17.8 cm) | = 13.0 ft (3.9 m) |

Sistema de ventilación de 3¼" x 10" (8.3 cm x 25.4 cm)

| Pieza | | |
|---|-----------------|---|
| 3¼" x 10" (8.3 cm x 25.4 cm) Codo de 90° | 5.0 ft (1.5 m) |  |
| 3¼" x 10" (8.3 cm x 25.4 cm) Codo plano | 12.0 ft (3.7 m) |  |
| 3¼" x 10" (8.3 cm x 25.4 cm) Cubierta para pared | 0.0 ft (0.0 m) |  |

Ejemplo de sistema de ventilación



| | |
|--|---------------------|
| Longitud Máxima Recomendada | = 35 pies (10.7 m) |
| 1 - codo de 90° | = 5.0 pies (1.5 m) |
| Porción recta de 8 pi (2.4 m) | = 8.0 pies (2.4 m) |
| 1 - cubierta para pared | = 0.0 pies (0.0 m) |
| Longitud del sistema de 3¼" x 10" (8.3 cm x 25.4 cm) | = 13.0 pies (3.9 m) |

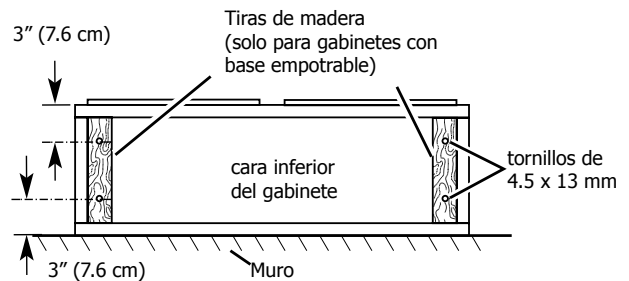
PREPARE EL MONTAJE

NOTA

Antes de hacer los recortes, asegúrese que haya suficiente espacio libre dentro del techo o la pared para el ducto de escape.

1. Desconecte el suministro de energía.
2. Seleccione una superficie plana para ensamblar su campana y cubra dicha superficie.
3. Levante la campana y colóquela sobre la superficie.

4. Si el gabinete tiene una base empotrada, coloque tiras de madera en cada lado. Fíjelo con tornillos para asegurar que las tiras permanecerán en su lugar.

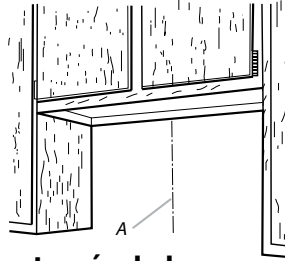


PREPARE EL MONTAJE

Determine la ubicación del orificio de cableado

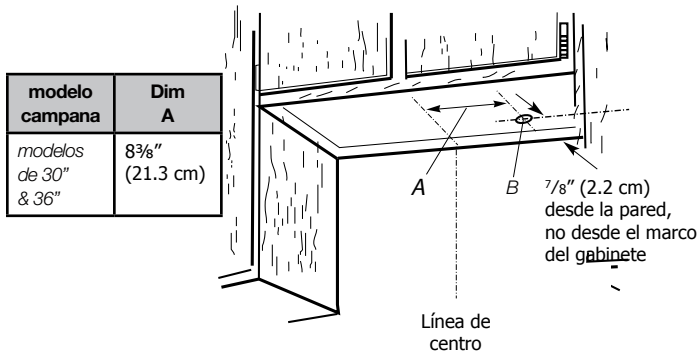
1. Determine y marque claramente una línea vertical de centro sobre la pared y el armario en el área que se hará la abertura de ventilación.

A. Línea de centro



Para hacer el cableado a través de la parte superior:

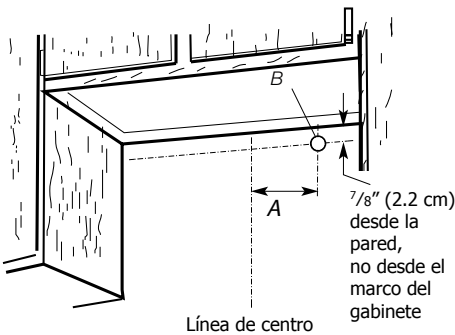
1. Trace una línea (A) desde la parte derecha de la línea central sobre la parte inferior del armario. Marque el punto sobre esa línea que esté a $\frac{7}{8}$ " (2,2 cm) desde la pared posterior. Taladre un orificio de $1\frac{1}{4}$ " (3,2 cm) de diámetro (B) a través del armario en este punto.



| modelo campana | Dim A |
|----------------------|----------------------------|
| modelos de 30" & 36" | $8\frac{3}{8}$ " (21.3 cm) |

Para hacer el cableado a través de la pared:

1. Trace una línea (A) desde la parte derecha de la línea central sobre la parte inferior de la pared. Marque el punto sobre esta línea que esté a $\frac{7}{8}$ " (2,2 cm) desde la parte inferior del armario. Taladre un orificio de $1\frac{1}{4}$ " (3,2 cm) de diámetro a través de la pared posterior en este punto.



| modelo campana | Dim A |
|----------------------|----------------------------|
| modelos de 30" & 36" | $8\frac{3}{8}$ " (21.3 cm) |

SÁLIDA DE AIRE

Escoja la salida de aire que desee de las opciones listadas a continuación - Estilo 1 - 4.

Estilo 1 - Versión recirculante de la campana

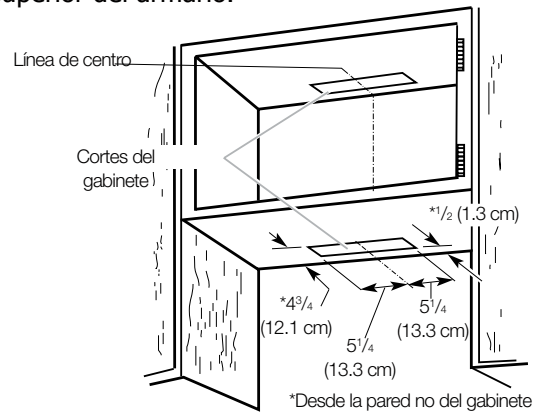
Para esta instalación, vaya a la sección "Instale la campana (versión recirculante)" en la página 43.

Estilo 2 - Aberturas de corte para un sistema de ventilación rectangular de $3\frac{1}{4}$ " x 10" (8,3 cm x 25,4 cm)

Ventilación a través del techo

Para hacer un recorte rectangular de 4 " x $10\frac{1}{2}$ " (10.16 cm x 26.7 cm) en la parte de abajo de la parte superior e inferior del armario:

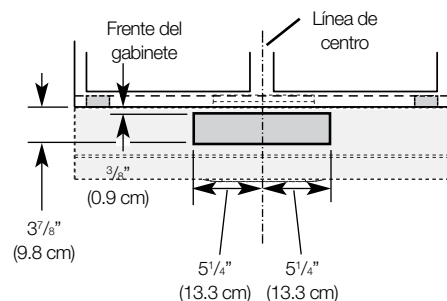
1. Marque líneas de $\frac{1}{2}$ " (1,3 cm) y $4\frac{3}{4}$ " (12,1 cm) desde la pared posterior sobre la línea central del lado de abajo del armario.
2. Marque líneas de $5\frac{1}{4}$ " (13,3 cm) a la derecha e izq. de la línea central en la parte de abajo del armario.
3. Use una sierra de vaivén o caladora para cortar una abertura rectangular para el ducto de escape.
4. Repita los pasos 1 a 3 para el lado de abajo de la parte superior del armario.



Ventilación a través de la pared

Para hacer un rectángulo de $3\frac{1}{2}$ " x $10\frac{1}{2}$ " (8,9 cm x 26,7 cm) en la pared:

1. Trace 2 líneas midiendo $\frac{3}{8}$ " (0,9 cm) y $3\frac{7}{8}$ " (9,8 cm) hacia abajo desde el lado de abajo del armario; marque sobre la línea central en la pared posterior.
2. Marque líneas de $5\frac{1}{4}$ " (13,3 cm) a la derecha e izquierda de la línea central sobre la pared.
3. Use una sierra de vaivén o caladora para cortar una abertura rectangular en la pared para el ducto de escape.



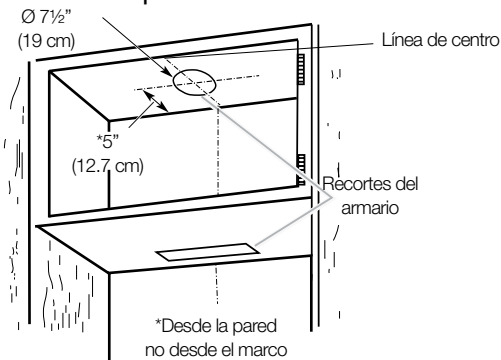
PREPARE EL MONTAJE

Estilo 3 - Aberturas de corte para un ducto de escape de transición rectangular a redondo de 3 1/4" x 10" (8,3 cm x 25,4 cm)

Ventilación a través del techo

Para hacer una abertura para un ducto de escape circular en el lado de abajo de la parte superior del armario:

1. Marque una línea central debajo de la parte superior del armario.
2. Marque una línea a 5" (12,7 cm) desde la pared posterior, por debajo de la parte superior del armario.
3. Use un compás o una plantilla en forma circular para dibujar un círculo con un diámetro de 7 1/2" (19 cm). Use sierra caladora para hacer la abertura.



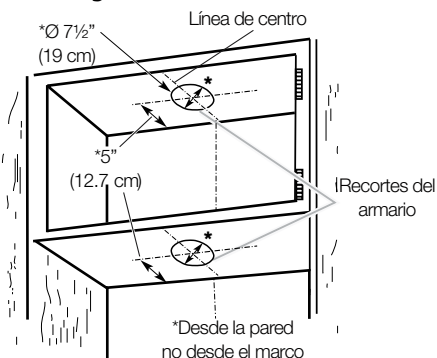
Estilo 4 - Aberturas para transición redonda de 7" (17.8 cm) a ducto de ventilación redondo

Ventilación a través del techo

Para hacer una abertura circular en la parte baja del gabinete:

NOTA: El kit de transición redonda de 7", número de parte 5304487139, es requerido para esta instalación.

1. Marque una línea central debajo de la parte superior del armario.
2. Marque una línea a 5" (12,7 cm) desde la pared posterior, por debajo de la parte superior del armario.
3. Use un compás o una plantilla en forma circular para dibujar un círculo con un diámetro de 7 1/2" (19 cm). Use sierra caladora para hacer la abertura.
4. Repita los pasos 1 a 3 para hacer la abertura de la parte inferior del gabinete



Instalación del sistema de ventilación

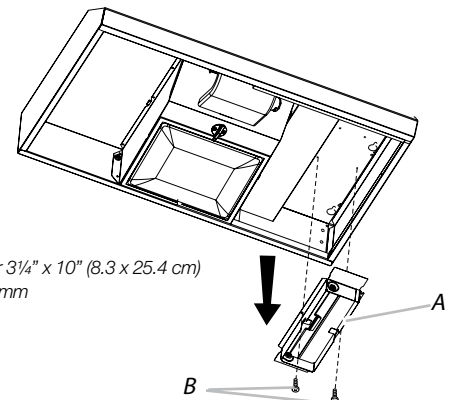
1. Instale la ventilación a través de la abertura en el armario superior o la pared. Complete el sistema de ventilación de acuerdo al método de ventilación seleccionado. Vea la sección "Requisitos de ventilación".
2. Utilice pasta resanadora o silicón para sellar la abertura exterior de la pared o el techo alrededor de la cubierta.

INSTALE LA CAMPANA (Versión Aspirante)

NOTA

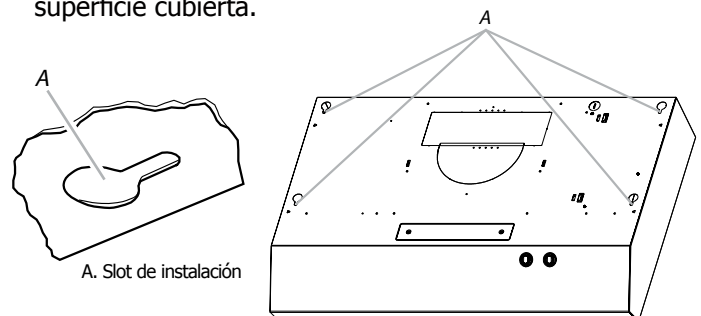
Este modelo tiene una transición rectangular de 3 1/4" x 10" (8.3 x 25.4 cm) dentro de la campana.

1. Desempaque la transición rectangular de 3 1/4" x 10" (8.3 x 25.4 cm) del interior de su campana. Para liberarlo, remueva los dos tornillos de instalación (.35x .95cm) y consérvelos en un lugar seguro pues los utilizará después (vea paso 5).



A. Transición rectangular 3 1/4" x 10" (8.3 x 25.4 cm)
B. Tornillos de 3.5 x 9.5 mm

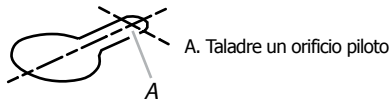
2. Levante la campana para cocina debajo del gabinete y determine la ubicación final centrándola debajo del mismo. Marque en la parte inferior del armario la ubicación de las 4 ranuras de montaje en forma de bocallave en la campana para cocina (Vea las dimensiones de los slots en la página 37). Deje a un lado la campana para cocina sobre una superficie cubierta.



INSTALACIÓN DE LA CAMPANA

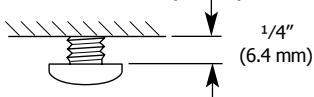
3. Use una broca de $1/8''$ (3 mm) y taladre 4 orificios piloto como se muestra.

NOTA: Haga las perforaciones en la parte delgada del slot.

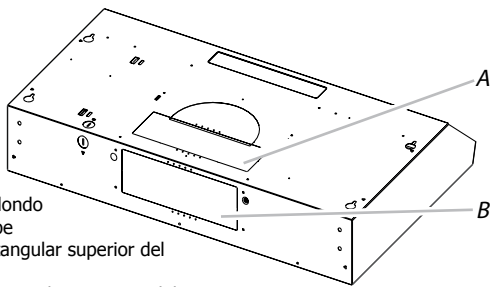


A. Taladre un orificio piloto

4. Instale los 4 tornillos de montaje de .45 cm x 1.3 cm en los orificios piloto. Deje aproximadamente $1/4''$ (6,4 mm) de espacio entre las cabezas de los tornillos y el armario para deslizar la campana para cocina en el lugar.



5. Saque los discos removibles rectangular superior y redondo del ducto de escape. Para instalaciones en pared, retire el el precorte trasero.



A. Disco removible redondo para el ducto de escape
B. Disco removible rectangular superior del ducto de escape
C. Disco removible rectangular posterior del ducto de escape

6. Instale el conector rectangular de $3\frac{1}{4}'' \times 10''$ (8.3 x 25.4 cm). Asegúrelo a la campana con los tornillos de 3.5 x 9.5 mm que previamente retiró (paso 1).

NOTA

La transición rectangular de $3\frac{1}{4}'' \times 10''$ (8.3 x 25.4 cm) puede ser instalada con $1''$ (2.5 cm) de desface del centro de la campana por cada lado para poder insertarlo al ducto de ventilación.

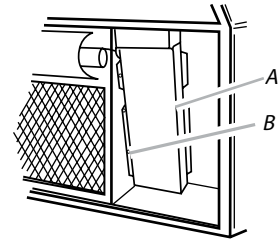
Instalación del cable de suministro de energía

1. Para las instalaciones por cable directo, haga pasar el cable eléctrico de la casa según las normas del National Electric Code (Código nacional eléctrico) o CSA (Asociación de normalización canadiense) y los códigos y ordenanzas locales. Debe haber suficiente cable de la caja del desconectador con fusible (o cortacircuitos) para hacer la conexión en la caja de terminales de la campana. Para ver las instalaciones opcionales con juego de cable de suministro eléctrico, siga las instrucciones en la sección "Haga las conexiones eléctricas".

NOTA

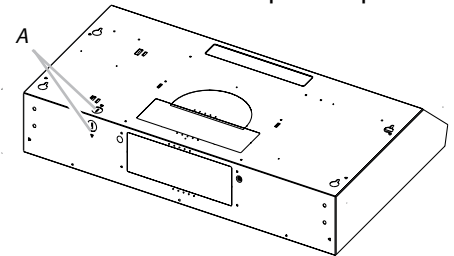
No reconecte la electricidad hasta que se haya terminado la instalación.

2. Quite el tornillo de la tapa de la caja de terminales. Quite la cubierta de la caja de terminales y déjela a un lado.



A. Tapa de la caja de terminales
B. Tornillos

3. Quite el disco removible de suministro eléctrico de la parte superior o posterior de la capota de ventilación (dependiendo de la ubicación de la entrada del cable de suministro eléctrico de su casa) e instale un protector de cables de $1/2''$ que esté en la lista de UL o aprobado por CSA.



A. Disco removible de suministro de energía

4. Con la ayuda de 2 o más personas, levante la campana y colóquela en su posición final. Haga pasar suficiente cable eléctrico a través del protector de cables de $1/2''$ que esté en la lista de UL o aprobado por CSA para hacer las conexiones en la caja de terminales. Apriete los tornillos del protector de cables.

5. Ubique la campana para cocina de modo que el extremo grande de las ranuras en forma de bocallave esté sobre los tornillos de montaje. Después empuje la campana hacia la pared para que los tornillos queden en el cuello de las ranuras. Apriete los tornillos de montaje, asegurándose de que los tornillos estén en el cuello angosto de las ranuras.

6. Conecte el sistema de ductos a la campana. Selle las uniones con las abrazaderas o cinta para ductos, para que quede seguro y hermético.

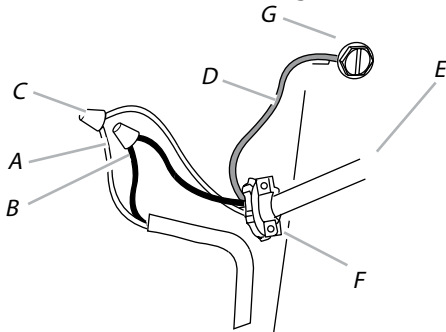
7. Verifique que las compuertas de contratiro funcionen adecuadamente.

HAGA LA CONEXIÓN ELÉCTRICA

! ADVERTENCIA

Peligro de Choque Eléctrico
Desconecte el suministro de energía antes de darle mantenimiento.
Vuelva a colocar todos los componentes y paneles antes de hacerlo funcionar.
No seguir estas instrucciones puede ocasionar la muerte o choque eléctrico.

1. Desconecte el suministro de energía



- A. Cables blancos
- B. Cables negros
- C. Conector de cables aprobado por UL
- D. Cable de tierra verde o desnudo
- E. Cable de suministro eléctrico de la casa.
- F. Protector de cables de 1/2" que esté en la lista de UL o aprobado por CSA
- G. Tornillo verde de puesta a tierra

2. Use conectores de cables que estén en la lista de UL y conecte los alambres blancos (A) juntos.
3. Use conectores de alambres que estén en la lista de UL y conecte los cables negros (B) juntos.

! ADVERTENCIA

Peligro de Incendio
Conecte el motor a tierra.
Use alambre de cobre.
Conecte el alambre de tierra al tornillo verde de conexión tierra en la caja de terminales.
No seguir estas instrucciones puede causar la muerte, incendio o choque eléctrico.

4. Conecte el cable a tierra verde (o desnudo) del suministro de energía al tornillo verde de puesta a tierra en la caja de terminales y apriételo firmemente.
5. Instale la cubierta de la caja de terminales.
6. Reconecte el suministro de energía.

Complete la instalación

1. Instale el foco incandescente de 75 W (como máximo). Consulte la sección "Reemplace el foco incandescente".
2. Vuelva a colocar el filtro para grasa, si lo ha quitado. Consulte la sección "Cuidado de la campana para cocina".
3. Verifique el funcionamiento del ventilador de la campana para cocina y la luz. Consulte la sección "Uso de la campana para cocina".

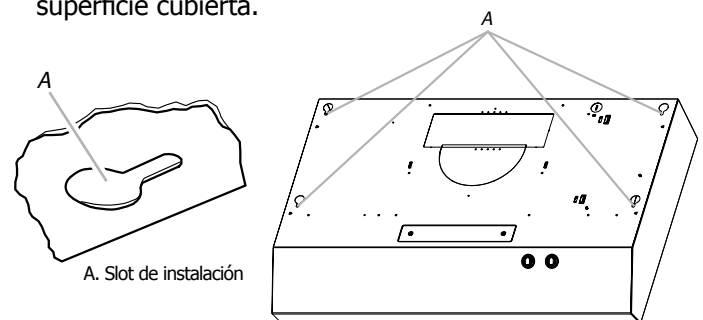
Si la campana para cocina no funciona, revise si se ha disparado un cortacircuitos o si se ha quemado un fusible doméstico. Desconecte el suministro eléctrico y revise las conexiones de cableado.

! NOTA

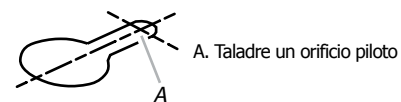
Para obtener un uso más eficaz de su nueva campana, lea la sección "Uso de la campana".

INSTALE LA CAMPANA (Versión Recirculante)

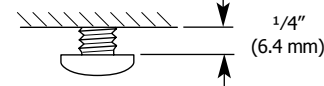
1. Levante la campana para cocina debajo del gabinete y determine la ubicación final centrándola debajo de este. Marque en la parte inferior del armario la ubicación de las 4 ranuras de montaje en forma de bocallave en la campana para cocina (Vea las dimensiones de los slots en la página 37). Deje a un lado la campana para cocina sobre una superficie cubierta.



2. Use una broca de 1/8" (3 mm) y taladre 4 orificios piloto como se muestra.
- NOTA:** Haga las perforaciones en la parte delgada del slot.



3. Instale los 4 tornillos de montaje de .45 cm x 1.3 cm en los orificios piloto. Deje aproximadamente 1/4" (6,4 mm) de espacio entre las cabezas de los tornillos y el armario para deslizar la campana para cocina en el lugar.



INSTALACIÓN DE LA CAMPANA

Instalación del cable de suministro de energía

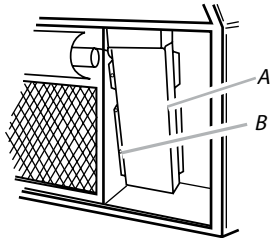
1. Para las instalaciones por cable directo, haga pasar el cable eléctrico de la casa según las normas del National Electric Code (Código nacional eléctrico) o CSA (Asociación de normalización canadiense) y los códigos y ordenanzas locales. Debe haber suficiente cable de la caja del desconectador con fusible (o cortacircuitos) para hacer la conexión en la caja de terminales de la campana. Para ver las instalaciones opcionales con juego de cable de suministro eléctrico, siga las instrucciones en la sección "Haga las conexiones eléctricas".

NOTA

No reconecte la electricidad hasta que se haya terminado la instalación.

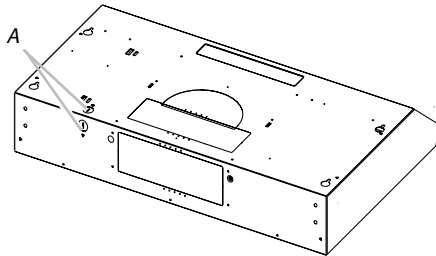
2. Quite el tornillo de la tapa de la caja de terminales. Quite la cubierta de la caja de terminales y déjela a un lado.

A. Tapa de la caja de terminales
B. Tornillos



3. Quite el disco removible de suministro eléctrico de la parte superior o posterior de la capota de ventilación (dependiendo de la ubicación de la entrada del cable de suministro eléctrico de su casa) e instale un protector de cables de 1/2" que esté en la lista de UL o aprobado por CSA.

A. Disco removible de suministro de energía



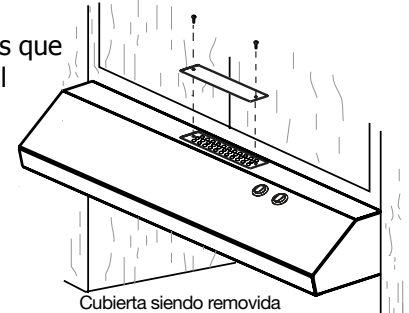
4. Con la ayuda de 2 o más personas, levante la campana y colóquela en su posición final. Haga pasar suficiente cable eléctrico a través del protector de cables de 1/2" que esté en la lista de UL o aprobado por CSA para hacer las conexiones en la caja de terminales. Apriete los tornillos del protector de cables.

5. Ubique la campana para cocina de modo que el extremo grande de las ranuras en forma de bocallave esté sobre los tornillos de montaje. Después empuje la campana hacia la pared para que los tornillos queden en el cuello de las ranuras. Apriete los tornillos de montaje, asegurándose de que los tornillos estén en el cuello angosto de las ranuras.

Cubierta de Recirculación

Para instalaciones recirculantes, la cubierta superior debe ser retirada. Quite la tapa de recirculación retirando los dos tornillos de montaje con un destornillador de cruz.

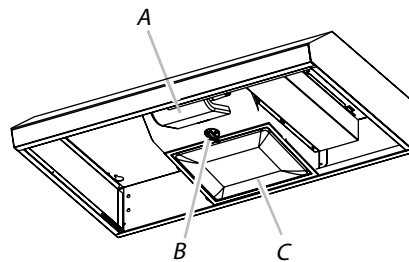
NOTA: Para instalaciones que descargan el aire hacia el techo o la pared, la tapa recirculante debe permanecer en su lugar o este no funcionará correctamente.



Para completar la instalación, vaya a la sección "Haga las conexiones eléctricas" en la página 43.

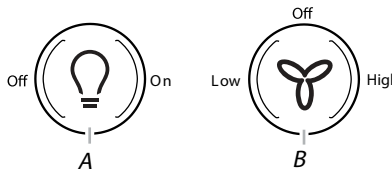
USO DE LA CAMPANA

La campana para cocina se ha diseñado para remover humo, vapores provenientes de la cocción y olores del área de la superficie de cocción. Para obtener mejores resultados, encienda la campana antes de cocinar y permita que funcione por varios minutos después de haber cocinado, para que quite todo el humo y los olores de la cocina. Los controles de la campana están ubicados en la parte superior de la campana para cocina.



A. Alojamiento y cubierta del foco incandescente
B. Retén del filtro
C. Filtro para grasa

Controles de la campana



A. Interruptor de On/Off (Encendido/Apagado) de la luz
B. Interruptor de velocidad del ventilador

Cómo utilizar la luz

Presione el interruptor de luz a la derecha para encender la luz. Presione el interruptor de luz a la izquierda para apagar la luz.

Funcionamiento del ventilador

Empuje el interruptor del ventilador a la izquierda para la velocidad Low (Baja). Empuje el interruptor del ventilador a la derecha para la velocidad High (Alta). Empuje el interruptor del ventilador hacia el medio para apagarlo (Off).

MANTENIMIENTO DE LA CAMPANA

Limpieza

ADVERTENCIA

Para reducir el riesgo de incendio o choque eléctrico desconecte la toma de corriente antes de la limpieza.

IMPORTANTE

Limpie los filtros de grasa frecuentemente de acuerdo a las siguientes instrucciones. Coloque nuevamente los filtros de grasa antes de encender su equipo.

IMPORTANTE

Superficies Exteriores

No use estropajos que vienen con jabón, productos de limpieza abrasivos, crema para pulir la superficie de cocción, estropajos de metal, paños ásperos ni toallas de papel.

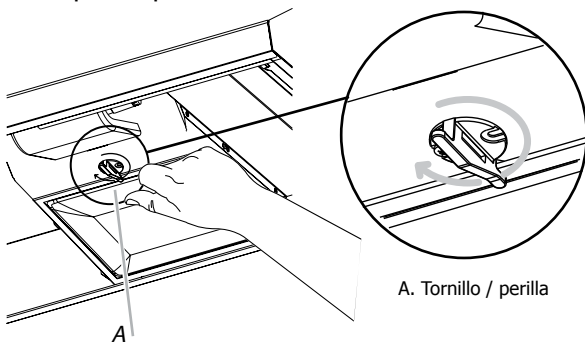
Método de limpieza:

- Use agua tibia con detergente líquido o limpiador multipropósito y un paño suave para limpiar la superficie.
- Enjuague con agua limpia y seque con un paño suave que no deje pelusa.
- Use limpiador de vidrios para quitar las huellas digitales.
- Para acabados en acero inoxidable frote en la dirección del grano para evitar rayar o dañar la superficie.

NOTA: En acabados en acero inoxidable, frote en la dirección del cepillado para evitar rayar o dañar la superficie.

Para limpiar o reemplazar el filtro:

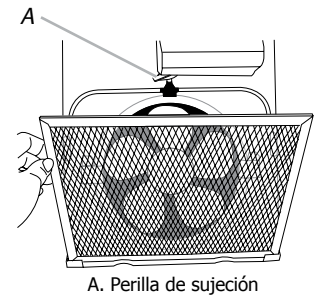
1. Retire el tornillo de la perilla de sujeción con un destornillador de cruz.
2. Gire la perilla para liberar el filtro.



3. Vuelva a colocar el filtro desplazando la orilla trasera de este en el canal de instalación. Empuje el filtro en su lugar y gire la perilla para asegurarlo a la campana.

4. Vuelva a colocar el tornillo de la perilla de sujeción.

5. Para limpiar el filtro de grasa, sumerja el filtro en agua caliente con detergente. Enjuague bien y sacuda para secar. Puede colocarlo también en el rack superior del lavavajillas para ser lavado.



NOTA: No use amoníaco. El aluminio del filtro de grasa se corroe y oscurece con el uso de este.

NOTA: Usted puede utilizar cualquier método de limpieza: lavaplatos o solución caliente con detergente.

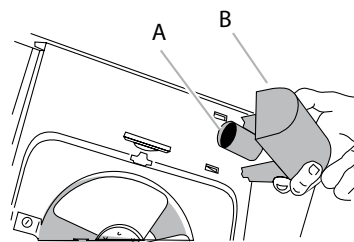
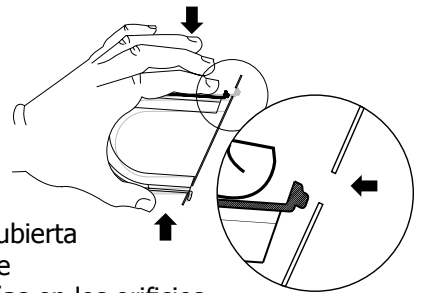
NOTA

El filtro de grasa puede ser lavado en lavavajillas. Para evitar el daño al filtro de grasa mientras se limpia, coloque el filtro en el último rack del lavaplatos para su limpieza.

Reemplace la lámpara incandescente

Apague la campana y permita que se enfríe la lámpara.

1. Desconecte la toma de corriente.
2. Apriete la cubierta plástica y retirela.
3. Coloque la lámpara (75W max, 120V) en el socket.
4. Vuelva a colocar la cubierta plástica apretándola e insertando las pestañas en los orificios.
5. Vuelva a conectar la corriente.



A. Socket
B. Cubierta plástica

Si el nuevo foco no funciona, cerciórese de que se ha insertado correctamente antes de llamar para solicitar servicio.

Accesorio Kit de Filtro de grasa / carbón

Para la versión recirculante de esta campana, un filtro de carbón opcional está disponible. Puedes ordenar este con el número de parte 5304486302.

El filtro de carbón no es lavable. Dura alrededor de 6 meses, dándole un uso normal.

RESOLUCIÓN DE PROBLEMAS

| Problema | Causas Posibles | Soluciones |
|--|---|---|
| Después de la instalación, el equipo no funciona. | <ol style="list-style-type: none"> 1. El cable de alimentación y el conector no están conectados correctamente. 2. Los cables de los switches están desconectados o flojos. | <ol style="list-style-type: none"> 1. Asegúrese que el aparato esté correctamente conectado. 2. Asegúrese de que los cables de los switches estén conectados apropiadamente. |
| Las lámparas funcionan, pero el motor no enciende. | <ol style="list-style-type: none"> 1. El motor es defectuoso. 2. El sistema de protección térmica detecta si el motor es demasiado caliente para operar y lo apaga. 3. El cable del motor no está conectado. | <ol style="list-style-type: none"> 1. Cambie el motor. 2. El motor funcionará adecuadamente después de que el sistema de protección térmica se enfríe. 3. Asegurese que el cable del motor esté conectado al conector molex. |
| El equipo vibra. | <ol style="list-style-type: none"> 1. El motor no está bien instalado en su lugar. 2. Aspas del motor dañadas. 3. La campana no se encuentra bien instalada. | <ol style="list-style-type: none"> 1. Asegure apropiadamente el motor a su lugar. 2. Cambie las aspas o el motor. 3. Verifique que la campana esté bien instalada. |
| El motor funciona pero las lámparas no. | <ol style="list-style-type: none"> 1. Lámpara defectuosas. 2. Lámparas flojas. 3. Los cables en el switch de lámparas están flojos. | <ol style="list-style-type: none"> 1. Cambie la lámpara. 2. Apriete las lámparas. 3. Asegúrese de que los cables en el switch de las lámparas estén bien conectados. |
| La campana no extrae el aire adecuadamente. | <ol style="list-style-type: none"> 1. La campana está colocada a una altura superior a la sugerida. 2. El viento que entra por ventanas o puertas abiertas en el área cercana afectan a la extracción de la campana. 3. Existe un bloqueo en el sistema de ventilación. 4. La dirección de la apertura de salida de aire es contraria a la dirección del aire. 5. Se está utilizando un tamaño incorrecto de tubos de ventilación. | <ol style="list-style-type: none"> 1. Ajuste la distancia entre la estufa (superficie de cocinado) y la base de la campana en un rango de 24 a 32 in. 2. Cierre puertas y ventanas para evitar que entre el flujo de aire exterior. 3. Retire el bloqueo en el sistema de ventilación. 4. Ajuste la dirección de la salida de aire. 5. Cambie el sistema de ventilación por el correcto. |
| El filtro de metal vibra. | <ol style="list-style-type: none"> 1. El filtro de metal está flojo. 2. La perilla sujetora no se mueve libremente. | <ol style="list-style-type: none"> 1. Asegúrese de que la perilla de sujeción aún funcione. 2. Reemplace el filtro de metal. |

Garantía

Su electrodoméstico está cubierto por una garantía limitada de un año. Durante un año a partir de la fecha original de compra, Electrolux cubrirá todos los costos de reparación o reemplazo de cualquier pieza de éste electrodoméstico que se encuentre defectuosa en materiales o mano de obra cuando el electrodoméstico se instala, utiliza y mantiene de acuerdo con las instrucciones proporcionadas.

Exclusiones Esta garantía no cubre lo siguiente:

1. Productos a los que se les quitaron o alteraron los números de serie originales o que no pueden determinarse con facilidad.
2. Productos que hayan sido transferidos del dueño original a un tercero o que no se encuentren en los EE.UU. o en Canadá.
3. Óxido en el interior o exterior de la unidad.
4. Los productos comprados “previamente usados o productos de muestra” no están cubiertos por esta garantía.
5. Pérdida de alimentos por fallas del refrigerador o congelador.
6. Productos utilizados para fines comerciales.
7. Las llamadas de servicio que no involucren el funcionamiento defectuoso ni los defectos de materiales o de mano de obra, o para electrodomésticos que no sean utilizados para uso normal del hogar o de acuerdo con las instrucciones proporcionadas.
8. Llamadas de servicio para corregir errores de instalación del electrodoméstico o para instruirlo sobre el uso del mismo.
9. Gastos para facilitar el acceso al electrodoméstico para el servicio, tales como la remoción de molduras, armarios, estantes, etc. que no eran parte del electrodoméstico cuando se envió de la fábrica.
10. Llamadas de servicio para reparar o reemplazar bombillas, filtros de aire, filtros de agua, otros consumibles, perillas, manijas u otras piezas decorativas.
11. Costos adicionales que incluyen, sin limitarse, cualquier llamada de servicio fuera de las horas de oficina, durante los fines de semana o días feriados, peajes, pasajes de transporte o millaje/kilometraje para llamadas de servicio en áreas remotas, incluyendo el estado de Alaska.
12. Daños al acabado del electrodoméstico o al hogar que hayan ocurrido durante la instalación, incluyendo, sin limitarse, los armarios, paredes, etc.
13. Daños causados por: servicio realizado por compañías de servicio no autorizadas, el uso de piezas que no sean piezas genuinas Electrolux o piezas obtenidas de personas que no pertenezcan a compañías de servicio autorizado, o causas externas como abuso, mal uso, suministro eléctrico inadecuado, accidentes, incendios, hechos fortuitos o desastres naturales.

RENUNCIA DE RESPONSABILIDAD DE GARANTÍAS IMPLÍCITAS; LIMITACIÓN DE ACCIONES LEGALES LA ÚNICA Y EXCLUSIVA OPCIÓN DEL CLIENTE BAJO ESTA GARANTÍA LIMITADA ES LA REPARACIÓN O REEMPLAZO DEL PRODUCTO SEGÚN SE INDICA. LOS RECLAMOS BASADOS EN GARANTÍAS IMPLÍCITAS, INCLUYENDO LAS GARANTÍAS DE COMERCIALIZACIÓN O APTITUD DEL PRODUCTO PARA UN PROPÓSITO ESPECÍFICO, ESTÁN LIMITADOS A UN AÑO O AL PERÍODO MÍNIMO PERMITIDO POR LEY, PERO NUNCA MENOS DE UN AÑO. ELECTROLUX NO SERÁ RESPONSABLE POR DAÑOS CONSECUENTES O INCIDENTALES COMO POR EJEMPLO DAÑOS A LA PROPIEDAD Y GASTOS INCIDENTALES OCASIONADOS POR EL INCUMPLIMIENTO DE ESTA GARANTÍA ESCRITA O DE CUALQUIER GARANTÍA IMPLÍCITA. ALGUNOS ESTADOS Y PROVINCIAS NO PERMITEN LA EXCLUSIÓN O LIMITACIÓN DE DAÑOS INCIDENTALES O CONSECUENTES O LIMITACIONES EN LA DURACIÓN DE LAS GARANTÍAS IMPLÍCITAS, DE MANERA QUE PUEDE QUE ESTAS LIMITACIONES O EXCLUSIONES NO SE APLIQUEN EN SU CASO. ESTA GARANTÍA ESCRITA LE OTORGA DERECHOS LEGALES ESPECÍFICOS.

ES POSIBLE QUE TAMBIÉN TENGA OTROS DERECHOS QUE VARÍAN DE UN ESTADO A OTRO.

Si tiene que solicitar servicio técnico Guarde su recibo, el comprobante de entrega o cualquier otro registro de pago adecuado para establecer el período de la garantía si llegara a requerir servicio. Si se realiza la reparación, le conviene obtener y conservar todos los recibos. El servicio realizado bajo esta garantía debe ser obtenido a través de Electrolux utilizando las direcciones o números que se indican abajo. Esta garantía sólo se aplica en los Estados Unidos y Canadá. En los EE.UU., su electrodoméstico está garantizado por Electrolux Major Appliances North America, una división de Electrolux Home Products, Inc. En Canadá, su electrodoméstico está garantizado por Electrolux Canada Corp. Electrolux no autoriza a ninguna persona a cambiar o agregar ninguna obligación bajo esta garantía. Nuestras obligaciones de reparación y piezas bajo esta garantía deben ser realizadas por Electrolux o compañía de servicio autorizado. Las especificaciones y características del producto según se describen o ilustran están sujetas a cambio sin previo aviso.

USA
1.282.622.373
Electrolux Major Appliances
North America
10200 David Taylor Drive
Charlotte, NC 28262

Canada
1.800.265.8352
Electrolux Canada Corp.
5855 Terry Fox Way
Mississauga, Ontario, Canada
L5V 3E4

printed in Mexico

FRIGIDAIRE