

FRIGIDAIRE

GALLERY®



Freestanding Ranges

FGEF300DN F/W/B

30" Electric



Product Dimensions

| | |
|--------------------------|---------|
| Height (Max.) | 49" |
| Width | 30" |
| Depth (Including Handle) | 28-7/8" |

More Easy-To-Use Features

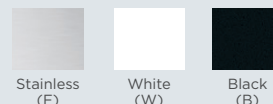
One-Touch Keep Warm Setting
Just one touch of a button keeps food warm until everything — and everyone — is ready.

Even Baking Technology
Our Even Baking Technology ensures even baking every time.

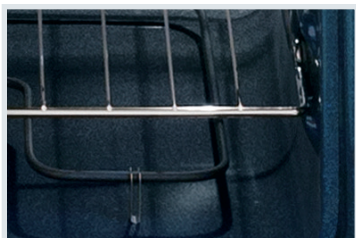
Add-a-Minute
Easily add a minute to the oven timer in the middle of a cycle without resetting.

Sabbath Mode (Star-K® Certified)

Available in:



Signature Features



Quick Clean

Quickly clean your oven in 2, 3 or 4 hours with our quick self-clean cycle.



Quick Boil

Get meals on the table faster with quick boil — water boils faster than the traditional setting.



Smudge-Proof™ Stainless Steel¹

Reduces fingerprints and smudges so it's easy to clean.



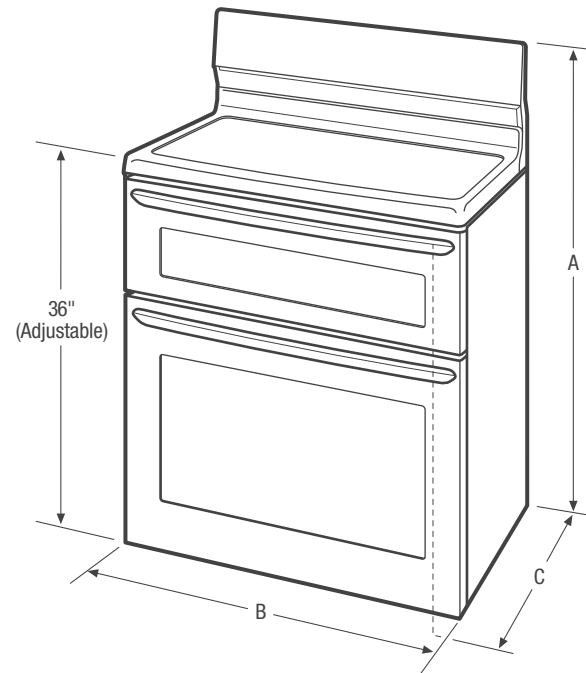
Double Oven Range

A second oven provides the ultimate flexibility — you can cook two different dishes at different temperatures, and all at the same time.

| Elements | Size | Watts |
|-------------|-----------------------|---------------|
| Right Front | 6" / 9" Expandable | 1,600 / 3,000 |
| Right Rear | 6" | 1,200 |
| Left Front | 9" | 2,500 |
| Left Rear | 6" | 1,200 |

¹Select model only

| Features | |
|--|--|
| Oven Control/Timing System | Express-Select® Controls |
| Surface Type | Black Ceramic Glass |
| Window | Large |
| Exterior Door Finish | Smudge-Proof Stainless Steel (F), Color-Coord. (W/B) |
| Handle Design | Stainless Steel (F), Color-Coordinated (W/B) |
| Exterior Finish (Side Panels) | Black (F), Color-Coord. (W/B) |
| Convection System | |
| Oven Cleaning System | Self Clean (Lower) |
| Upper Oven | Fits-More™ Upper Oven |
| Oven Controls | |
| Bake/Broil | Yes/Variable (400-550°F) |
| Effortless™ Convection Conversion | |
| Convection Bake/Broil/Roast | |
| Quick Bake Convection | |
| Quick Preheat | |
| Effortless™ Temperature Probe | |
| My Favorite | |
| Chicken Nugget Button | |
| Pizza Button | |
| Keep Warm | Yes |
| Add-a-Minute | Yes |
| Delay Start | Yes |
| Self Clean | Yes (Lower) |
| Quick Clean Option | Yes (Lower) |
| Delay Clean | 2, 3, 4 Hours (Lower) |
| Kitchen Timer / Timed Cook Option | Yes/Yes |
| Auto Oven Shutoff | 12 Hours |
| Oven Lock-Out | Yes |
| Cooktop Features | |
| Right Front Element (Watts) | SpaceWise® Expandable 6"/9"- 1,600/3,000 |
| Right Rear Element (Watts) | 6" - 1,200 |
| Left Front Element (Watts) | 9" - 2,500 |
| Left Rear Element (Watts) | 6" - 1,200 |
| Bridge Element (Watts) | |
| Center Element (Watts) | |
| Oven Features | |
| Upper/Lower Oven Capacity (Cu.Ft.) | 2.3/4.34 |
| Upper/Lower Oven Light | 1/1 |
| Hidden Bake Element | |
| Upper/Lower Rack Configuration | 1/2 Standard |
| Baking System | Even Baking Technology |
| Broiling System | Vari-Broil™ |
| Upper Bake/Broil Burners (Watts) | 2,200/3,000 |
| Lower Bake/Broil Burners (Watts) | 3,000/3,400 |
| Certifications | |
| Sabbath Mode (Star-K® Cert.) | Yes |
| Specifications | |
| Upper Oven Interior (H x W x D) | 8-3/8" x 24-3/8" x 19-1/8" |
| Lower Oven Interior (H x W x D) | 16-1/2" x 24-1/8" x 19-1/8" |
| Power Supply Connection Location | Left Bottom Rear |
| Voltage Rating | 240V / 208V / 60Hz |
| Connected Load (kW Rating) @ 240/208 Volts | 14.5/10.9 |
| Minimum Circuit Required (Amps) | 40A |
| Shipping Weight (Approx.) | 255 Lbs |



NOTE: For planning purposes only. Always consult local and national electric codes. Refer to Product Installation Guide for detailed installation instructions on the web at frigidaire.com.



| Product Dimensions | |
|------------------------------|---------|
| A - Height (Max.) | 49" |
| B - Width | 30" |
| C - Depth (Including Handle) | 28-7/8" |
| Depth with Door Open 90° | 46" |

| Cutout Dimensions | |
|-------------------|---------|
| Height (Stand.) | 36" |
| Width (Min.) | 30-1/8" |
| Depth (Min.) | 24" |

Accessories information available on the web at frigidaire.com

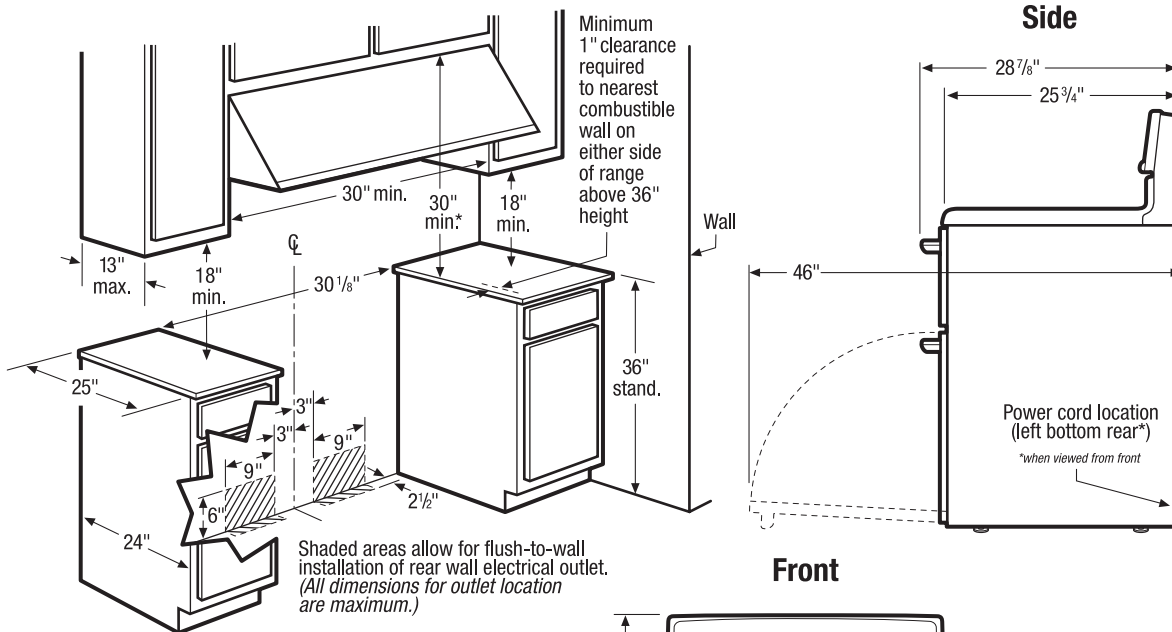
FRIGIDAIRE

USA • 10200 David Taylor Drive • Charlotte, NC 28262 • 1-800-FRIGIDAIRE • frigidaire.com
 CANADA • 5855 Terry Fox Way • Mississauga, ON L5V 3E4 • 1-800-265-8352 • frigidaire.ca

FGEF300DN 12/13

© 2013 Electrolux Home Products, Inc.

Specifications subject to change.



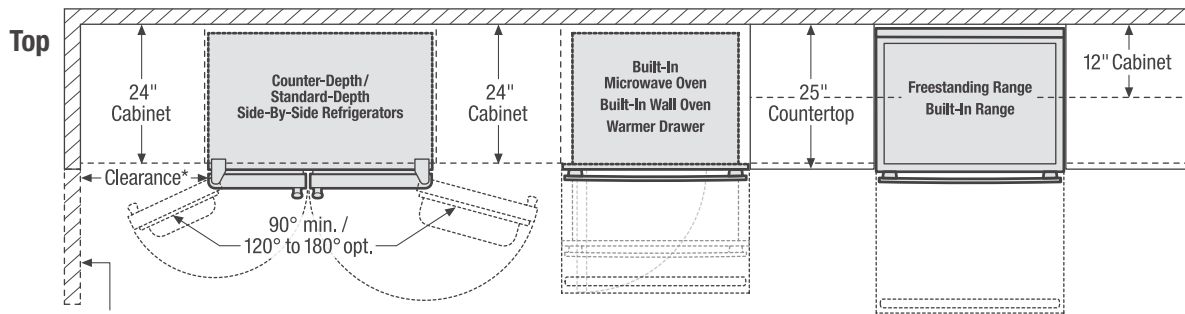
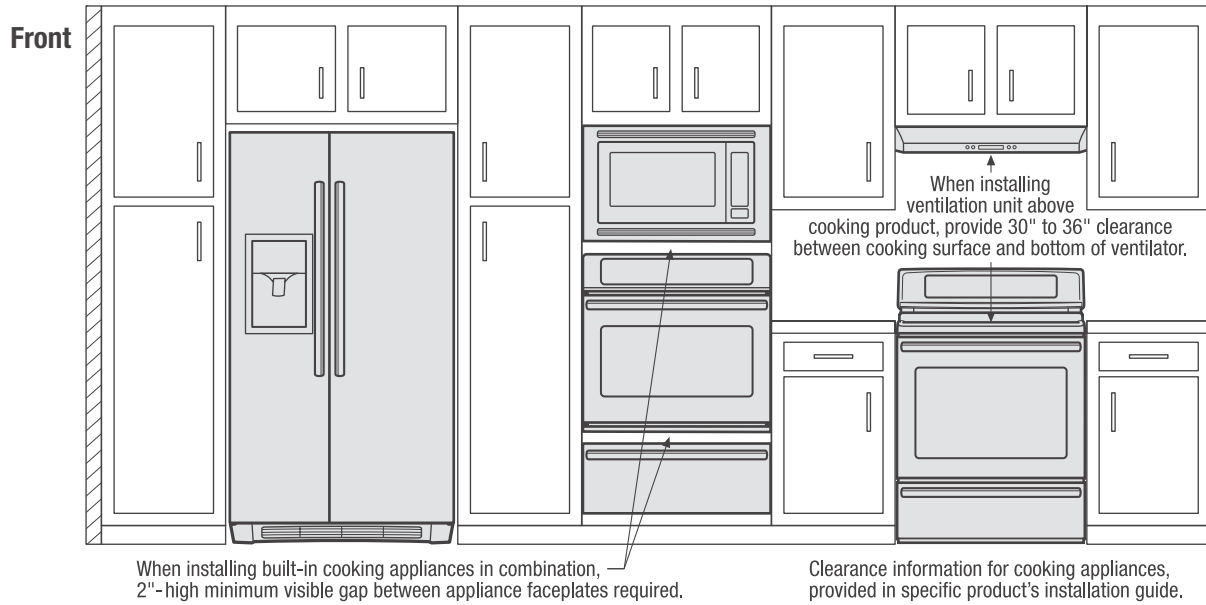
***Note:** 30" minimum clearance between top of cooking surface and bottom of unprotected wood or metal overhead cabinet; or 24" minimum clearance when bottom of wood or metal overhead cabinet is protected by not less than 1/4" flame-retardant millboard covered with not less than No. 28 MSG sheet steel, 0.015" stainless steel, 0.024" aluminum or 0.020" copper. 0" clearance is minimum for rear of range. Follow all dimension requirements provided above to prevent property damage, potential fire hazard, and incorrect countertop and cabinet cuts.

Freestanding Range Specifications

- Product Shipping Weight (approx.) - 255 Lbs.
- Single phase 3- or 4-wire cable, 120/240 or 120/208 Volt, 60 Hertz, fused on both sides of line with ground.
- Connected Load (kW Rating) @ 240/208 Volts = 14.5/10.9
- Recommended Circuit Breaker - 40 Amps
- Always consult local and national electric codes.
- Floor beneath range MUST be solid and level.
- Overhead cabinetry should not exceed a 13" maximum depth.
- Absolute minimum horizontal distance between overhead cabinets installed to either side of appliance must be no less than maximum width of appliance.
- Range can be installed flush to wall with 0" minimum rear clearance.
- Minimum 1" clearance required from edge of rangetop to nearest combustible wall on either side of range above 36" height.
- Allow 30" minimum clearance between top of cooking surface and bottom of unprotected wood or metal overhead cabinet; or 24" minimum clearance when bottom of wood or metal overhead cabinet is protected by not less than 1/4" flame retardant millboard covered with not less than No. 28 MSG sheet steel, 0.015" stainless steel, 0.024" aluminum or 0.020" copper.
- To reduce risk of fire when using overhead cabinetry, install range hood that projects horizontally a recommended minimum of 5" beyond bottom of cabinets.
- Follow all dimension requirements provided to prevent property damage, potential fire hazard, and incorrect countertop and cabinet cuts.

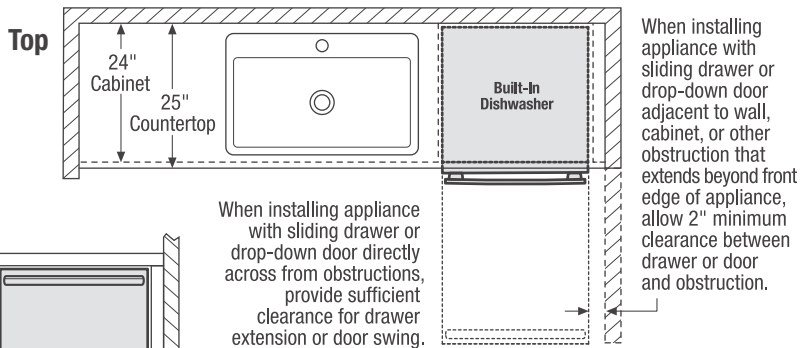
Note: For planning purposes only. Refer to Product Installation Guide on the web at frigidaire.com for detailed instructions.

Use these dimensions and clearance instructions for planning purposes only. For detailed installation instructions, refer to installation guide, packed with product, or on the web at frigidaire.com.

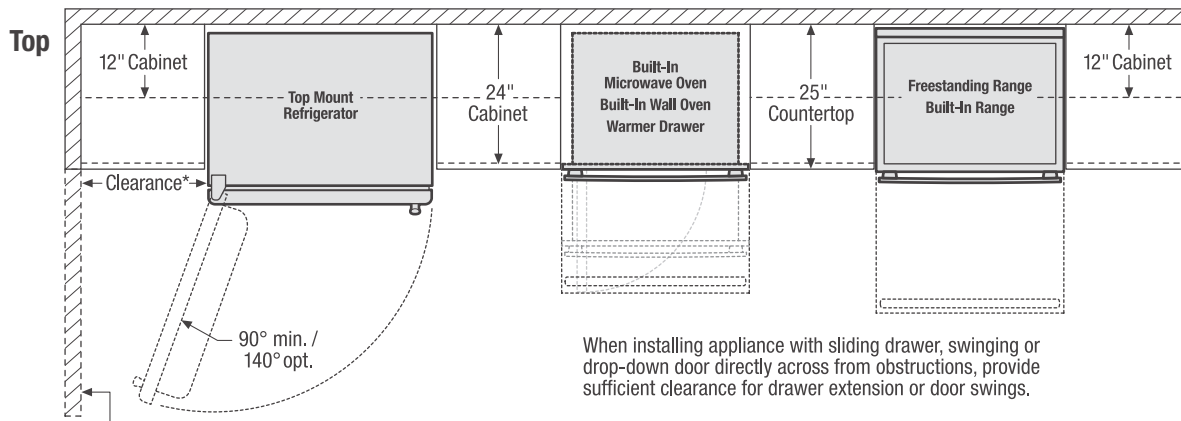
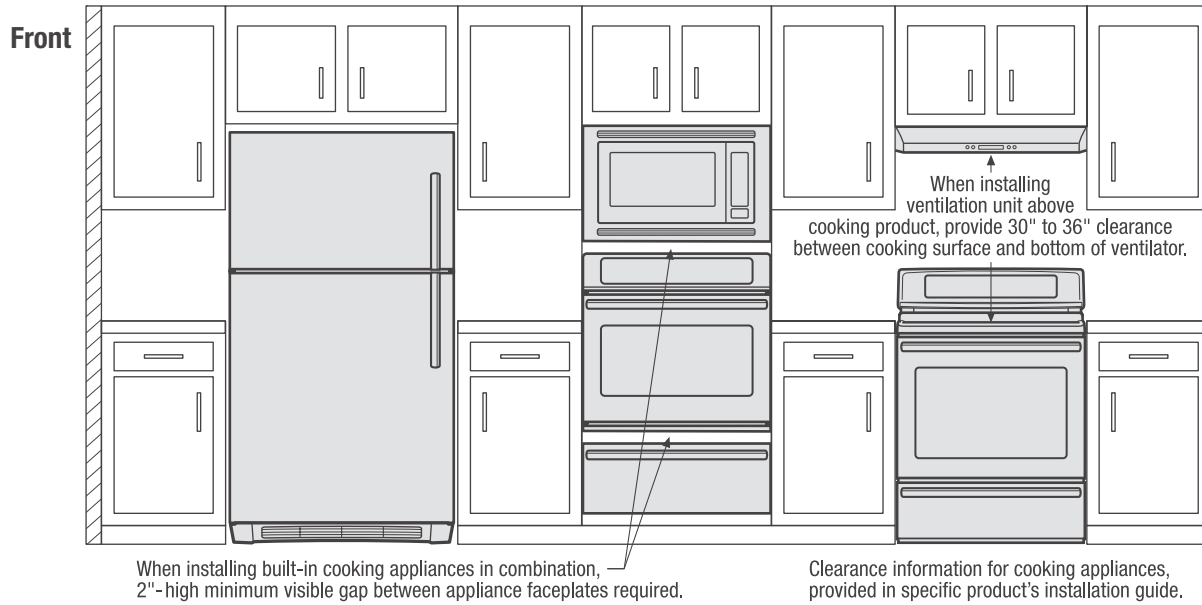


*When installing side-by-side refrigerator adjacent to wall, cabinet or another appliance that extends beyond front edge of unit, 20" minimum clearance recommended to allow for optimum 120° to 180° door swing, providing complete drawer/crisper access and removal. (Absolute 4-1/2" minimum clearance will ONLY allow for 90° door swing which will provide limited drawer/crisper access with restricted removal.)

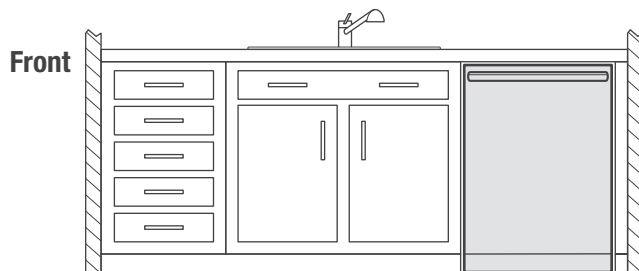
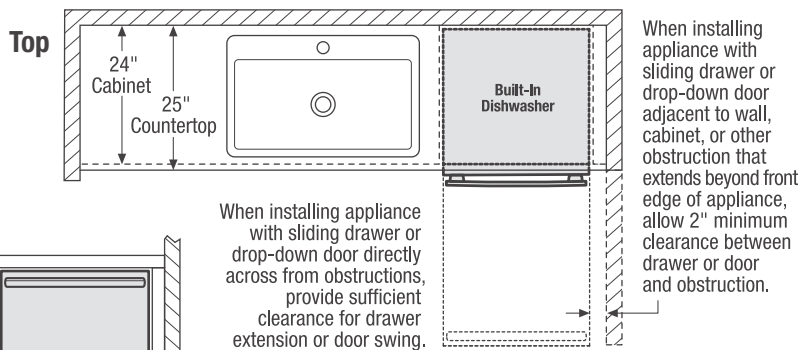
When installing appliance with sliding drawer, swinging or drop-down door directly across from obstructions, provide sufficient clearance for drawer extension or door swings.



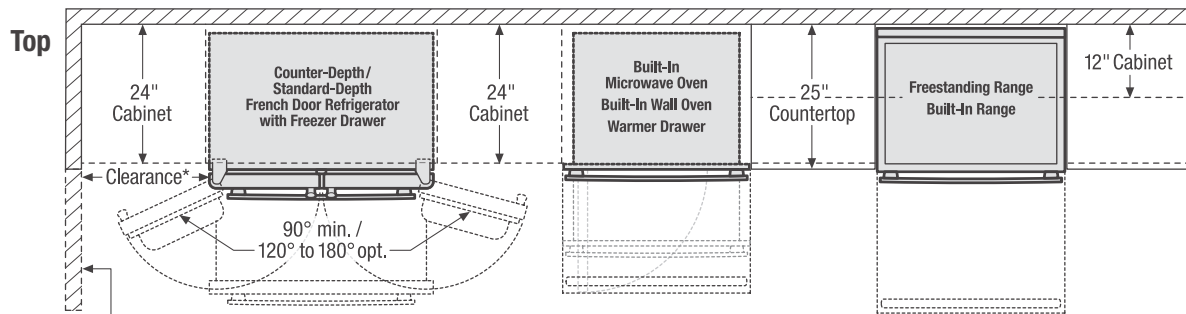
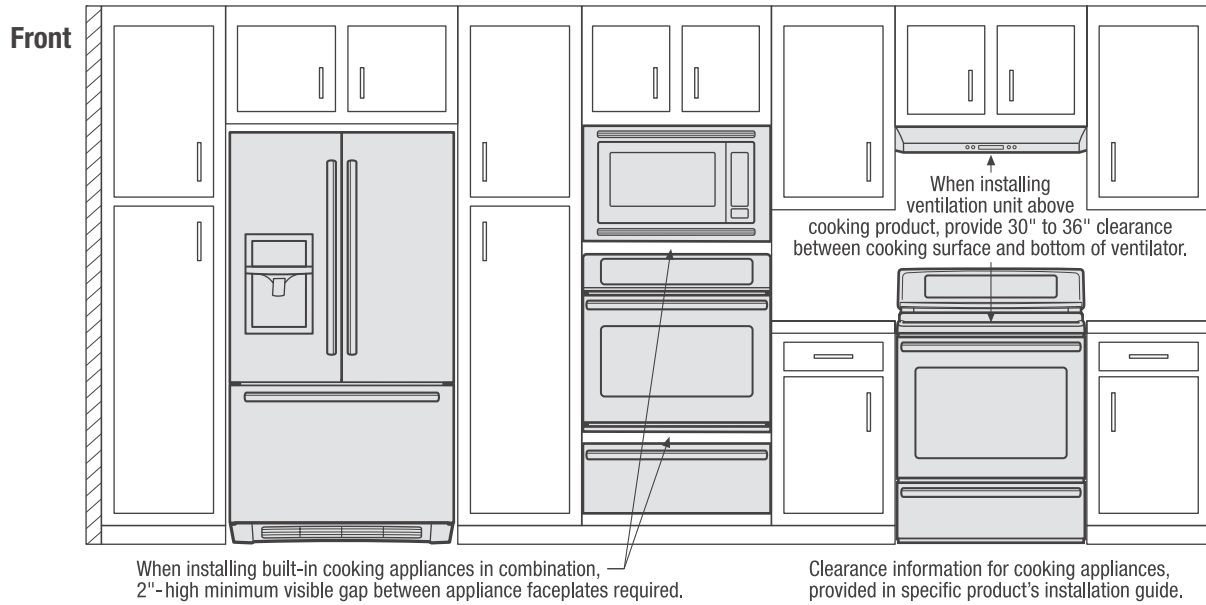
Use these dimensions and clearance instructions for planning purposes only. For detailed installation instructions, refer to installation guide, packed with product, or on the web at frigidaire.com.



*When installing top mount refrigerator adjacent to wall, cabinet or other appliance that extends beyond front edge of unit, 20" minimum clearance recommended to allow for optimum 140° door swing, providing complete crisper access and removal. (Absolute 3" minimum clearance will ONLY allow for 90° door swing which will provide limited crisper access with restricted removal.)

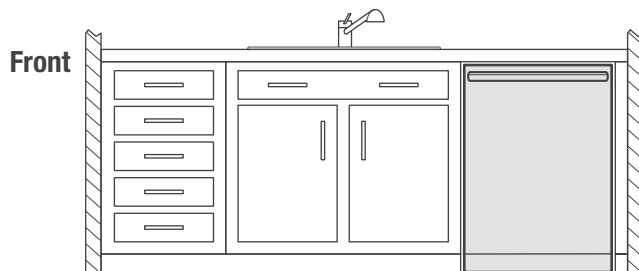
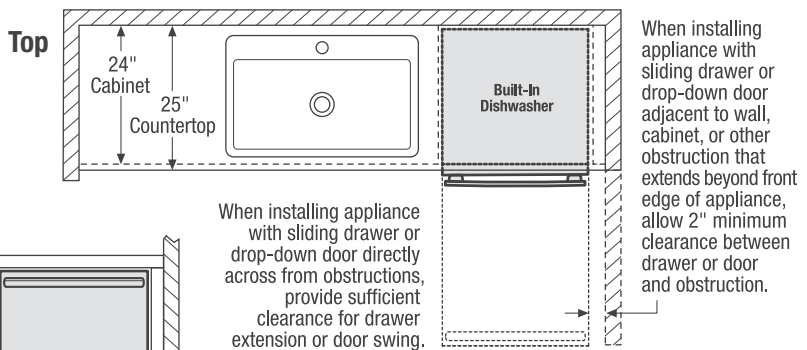


Use these dimensions and clearance instructions for planning purposes only. For detailed installation instructions, refer to installation guide, packed with product, or on the web at frigidaire.com.



*When installing French door refrigerator adjacent to wall, cabinet or another appliance that extends beyond front edge of unit, 20" minimum clearance recommended to allow for optimum 120° to 180° door swing, providing complete drawer/crisper access and removal. (Absolute 4-1/2" minimum clearance will ONLY allow for 90° door swing which will provide limited drawer/crisper access with restricted removal.)

When installing appliance with sliding drawer, swinging or drop-down door directly across from obstructions, provide sufficient clearance for drawer extension or door swings.



Use these dimensions and clearance instructions for planning purposes only. For detailed installation instructions, refer to installation guide, packed with product, or on the web at frigidaire.com.

