



## Freezer

### FFU13M3HW

Manual Defrost  
13 Cu. Ft. Upright



#### Product Dimensions

Height (Including Hinges)	60-3/8"
Width	28"
Depth (Including Door)	25-7/8"

#### More Easy-To-Use Features

##### Pocket Handle Door

Available in:



White  
(W)

## Signature Features

### Built with American Pride

Appliances that are high-performing, more accessible, and more innovative than ever — designed, built, and engineered in the U.S.A.

### Bright Lighting

Our bright lighting makes it easy to see what's inside.

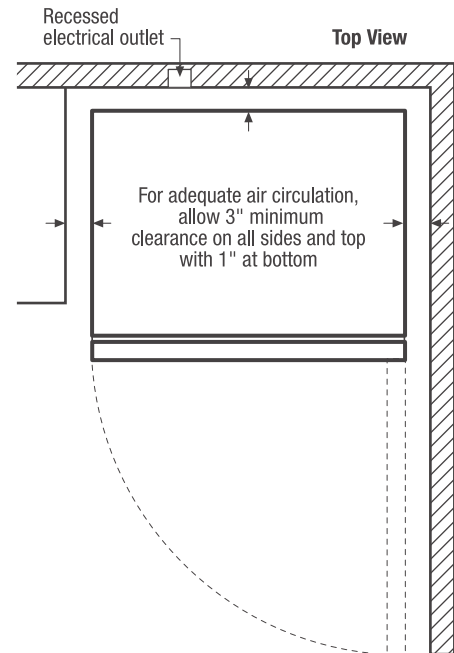
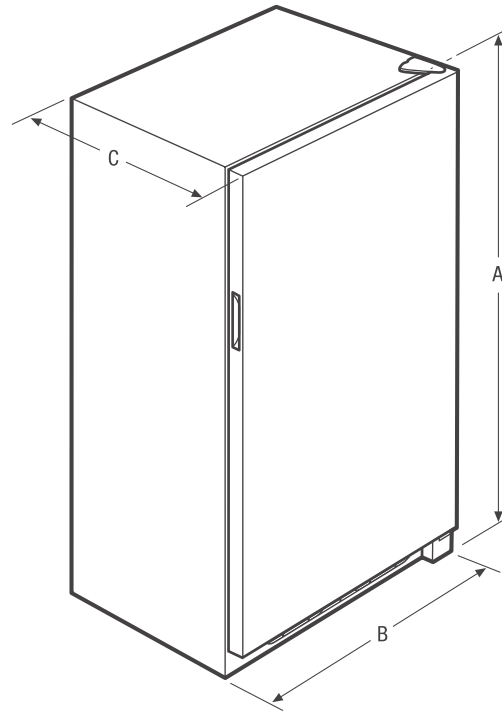
### Defrost Water Drain

Use the drain to conveniently remove water during defrosting.

### Adjustable Temperature Control

Select the correct temperature for your needs.

Features	
Door Handle Design	Pocket
Reversible Door	
Automatic Door Closer	Yes
Leveling Legs	Yes
Lock with Pop-Out Key	
Defrost	Manual
Adjustable Temperature Control	Mechanical Dial
Front Digital Display	
Temp Display Mode	1-7
High-Temp Duration Readout	
High-Temp Alarm	
Door Ajar Alarm	
Airflow Ports	
Interior Lighting	Bright
Full-Width Adjustable Shelves	
Full-Width Fixed Shelves	3 Wire
Removable Trivet	
SpaceWise® Shelf Bookend	
Mid-Level Baskets	
Lower Storage Basket	1
Basket Dividers	
Retractable Pizza Shelf	
Soft Freeze™ Zone	
Store-More™ Adjustable Door Bins	
Full-Width Door Bins	
Store-More™ Tilt-Out Wire Door Bins	
Fixed Door Racks	5
Defrost Drain	
Power-On Light	
Convertible	
Certifications	
CSA Rating	Household
Specifications	
Total Capacity (Cu. Ft.)	12.5
Shelf Area (Sq. Ft.)	13.63
Annual Energy (kWH)	420
Annual Energy Cost (.1065/kWH)	\$45
Power Supply Connection Location	Lower Right Rear
Voltage Rating	120V
Connected Load (kW rating) @ 120 Volts¹	.60
Amps @ 120 Volts	5
Minimum Circuit Required (Amps)	15
Shipping Weight (Approx.)	165 Lbs.



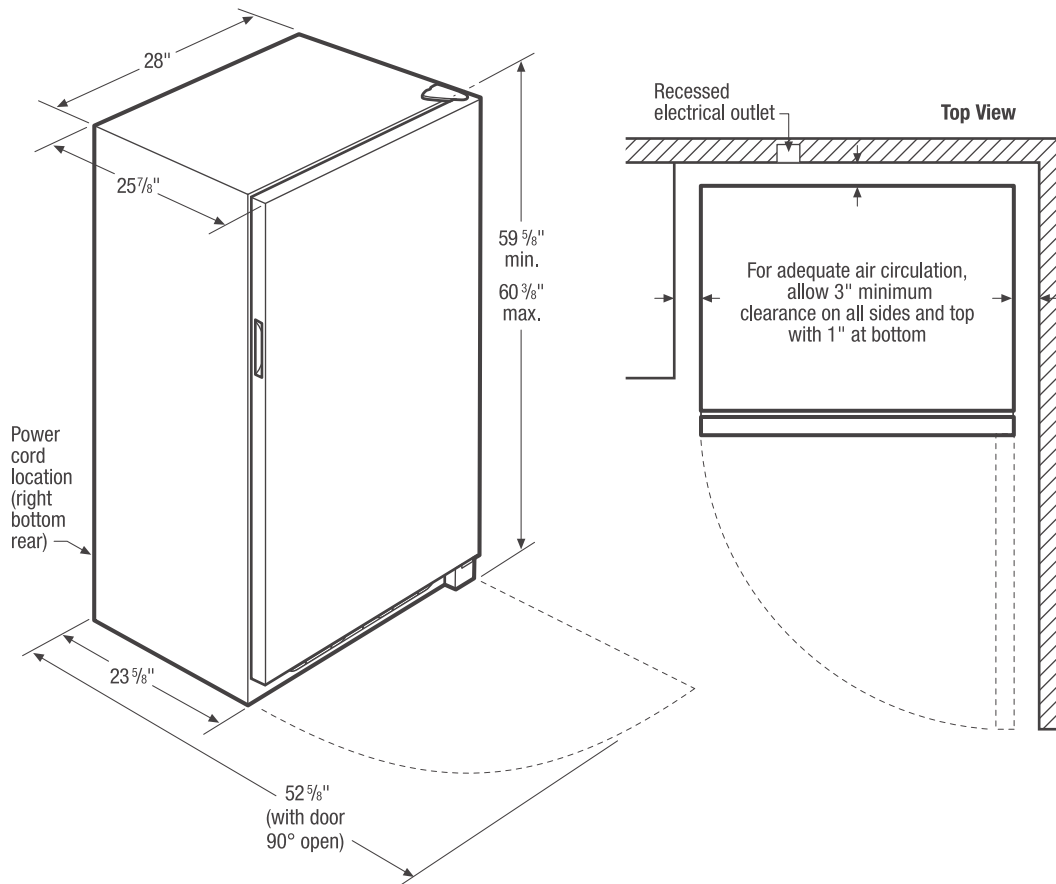
<sup>1</sup>An electrical supply with grounded three-prong receptacle is required. The power supply circuit must be installed in accordance with current edition of National Electrical Code (NFPA 70) and local codes & ordinances.

NOTE: For planning purposes only. Always consult local and national electric codes. Refer to Product Installation Guide for detailed installation instructions on the web at [frigidaire.com](http://frigidaire.com).



Product Dimensions	
A - Height (Including Hinges)	60-3/8"
B - Width	28"
C - Depth (Including Door)	25-7/8"
Depth with Door Open 90°	52-5/8"

Accessories information available on the web at [frigidaire.com](http://frigidaire.com)



**Upright Freezer Specifications**

- Product Shipping Weight (approx.) - 165 Lbs.
- An electrical supply with grounded three-prong receptacle is required. The power supply circuit must be installed in accordance with current edition of *National Electrical Code (NFPA 70)* and local codes & ordinances.
- Voltage Rating - 120V
- Connected Load (kW Rating) @120 Volts = 0.60 kW
- Amps @120 Volts = 5 Amps
- Always consult local and national electric codes.
- For adequate air circulation, allow 3" minimum clearance on all sides and top with 1" at bottom.

- Locate where surrounding air temperature will not exceed 110° F, to ensure optimum performance. (Temperatures 32° F and below will NOT affect operation.)
- All bottom corners of unit MUST rest firmly on solid level surface of hard material, same height as flooring. Surface must be strong and stable enough to support unit when fully loaded.
- Equipped with adjustable leveling legs to ensure unit is level, which is required in order to function properly.

**Note:** For planning purposes only. Refer to Product Installation Guide on the web at [frigidaire.com](http://frigidaire.com) for detailed instructions.