



Single Wall Ovens

FGB24L2A S/B

24" Gas



Product Dimensions

Height	38-7/16"
Width	23-7/8"
Depth	25-3/8"

More Easy-To-Use Features

GlideOut™ Broiler

Bright Oven Lighting

Our bright lighting makes it easy to see what's inside.

Timer Function

Manual-Clean Oven

Available in:



White
(S)



Black
(B)

Signature Features

Ready-Select® Controls

Easily select options or control cooking temperature with our easy-to-use controls.

Large Capacity

Our large capacity oven gives you room to cook more at once.

Vari-Broil™ Option

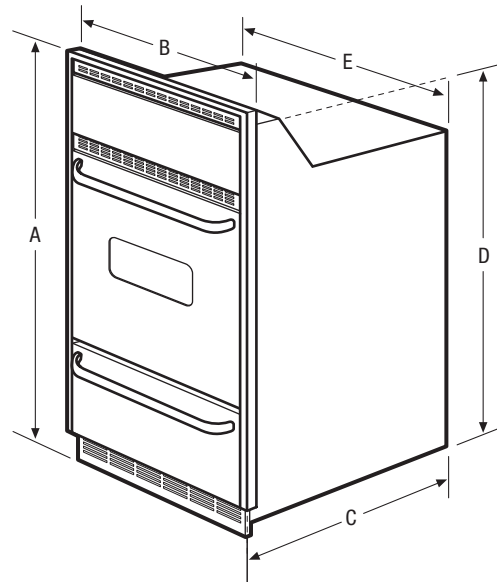
Allows you to choose between two heat levels.

Large Window

Our large oven window lets you easily see what's inside.

Features	
Oven Control/Timing System	Ready-Select®
Window	Large
Exterior Door Finish	Color-Coordinated
Handle Design	Color-Coordinated
Oven Cleaning System	Manual Clean
Drawer Functionality	GlideOut™ Broiler
Oven Controls	
Bake/Broil	Yes/ Variable (Hi - Lo)
Convection Conversion	
Convection Bake/Broil/Roast	
Quick Bake Convection	
PowerPlus®/Quick Preheat	
My Favorite	
Chicken Nugget Button	
Pizza Button	
Keep Warm	
Add-a-Minute	
Delay Start	
Self-Clean	
Rapid/Quick Clean Option	
Delay Clean	
Kitchen Timer	Yes
Timed Cook Option	
Control Lock	
Auto Oven Shut-Off	
Oven Lock-Out	
Oven Features	
Capacity (Cu. Ft.)	3.2
Convection System	
Oven Light	1
Hidden Bake Element	
Rack Configuration	2 Racks
Baking System	Regular
Broiling System	Vari-Broil™
Bake/Broil Element (BTU)	16,000/16,000
Certifications	
Sabbath Mode (Star-K® Certified)	
Specifications	
Oven Interior (H x W x D)	16" x 18-1/2" x 18-1/2"
Power Supply Connection Location	Right Bottom Rear
Gas Supply Connection Location	Right Bottom Rear
LP Gas Conversion Kit	Included
Voltage Rating	120V / 60Hz
Connected Load (kW Rating) @ 120 Volts¹	.60
Amps @ 120 Volts	5.0
Minimum Circuit Required (Amps)	15
Approved for Under-Counter Installation	
Shipping Weight (Approx.)	150 Lbs.

¹For use on adequately wired 120V, dedicated circuit having 2-wire service with a separate ground wire. Appliance must be grounded for safe operation.



NOTE: For planning purposes only. Always consult local and national electric and gas codes. Refer to Product Installation Guide for detailed installation instructions on the web at frigidaire.com.



Product Dimensions	
A - Height	38-7/16"
B - Width	23-7/8"
C - Depth	25-3/8"
D - Height (Wrapper)	37-3/8"
E - Width (Wrapper)	21-11/16"
Depth with Door Open 90°	43"

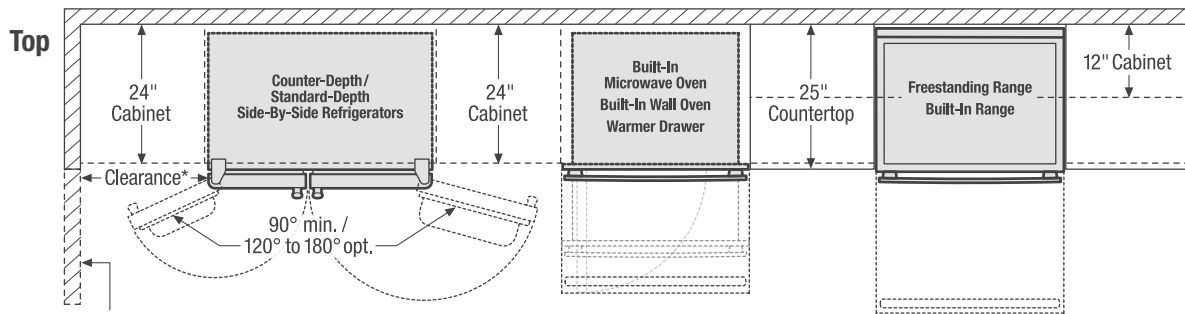
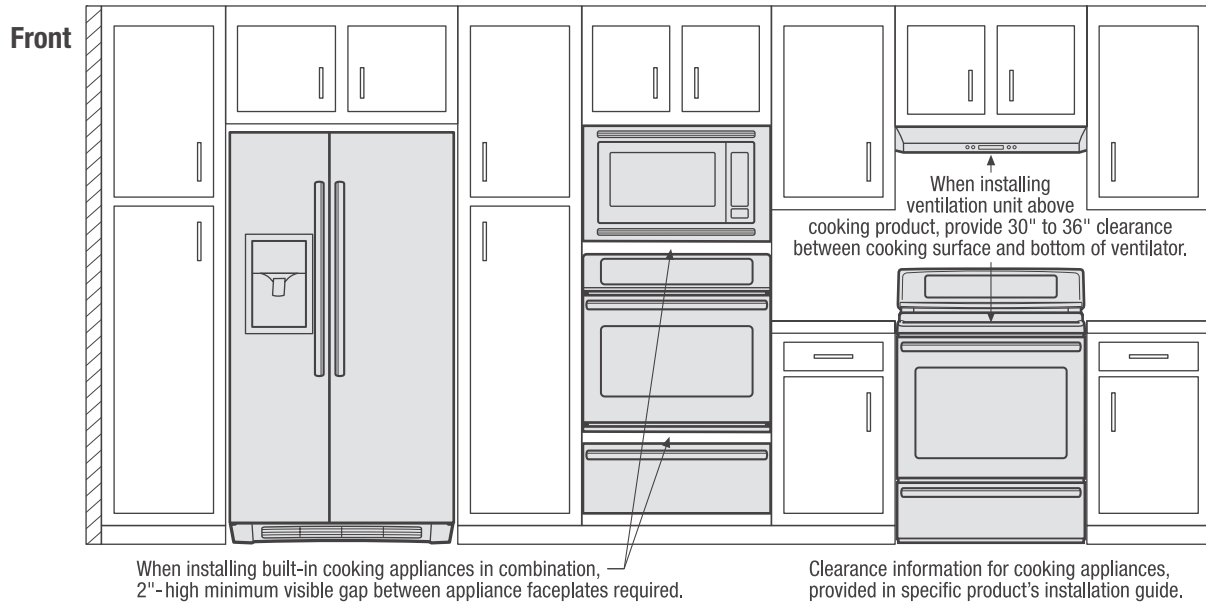
Cutout Dimensions	
Height (Min.)	37-1/2"
Height (Max.)	38"
Width (Min.)	22"
Depth (Min.)	23-1/2"

Accessories information available on the web at frigidaire.com

FRIGIDAIRE

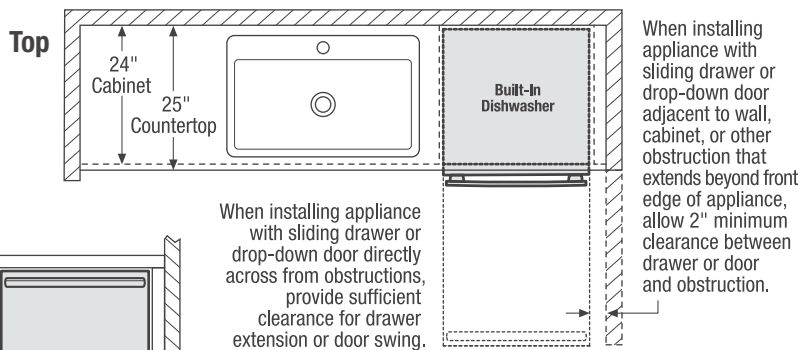
USA • 10200 David Taylor Drive • Charlotte, NC 28262 • 1-800-FRIGIDAIRE • frigidaire.com
 CANADA • 5855 Terry Fox Way • Mississauga, ON L5V 3E4 • 1-800-265-8352 • frigidaire.ca

Use these dimensions and clearance instructions for planning purposes only. For detailed installation instructions, refer to installation guide, packed with product, or on the web at frigidaire.com.

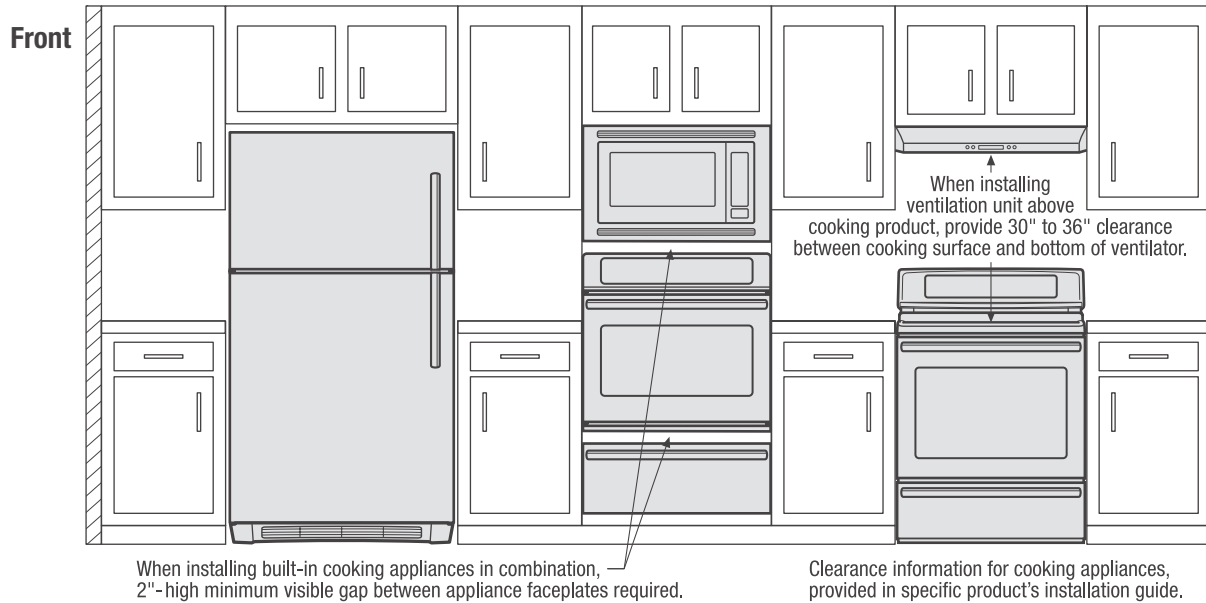


*When installing side-by-side refrigerator adjacent to wall, cabinet or another appliance that extends beyond front edge of unit, 20" minimum clearance recommended to allow for optimum 120° to 180° door swing, providing complete drawer/crisper access and removal. (Absolute 4-1/2" minimum clearance will ONLY allow for 90° door swing which will provide limited drawer/crisper access with restricted removal.)

When installing appliance with sliding drawer, swinging or drop-down door directly across from obstructions, provide sufficient clearance for drawer extension or door swings.



Use these dimensions and clearance instructions for planning purposes only. For detailed installation instructions, refer to installation guide, packed with product, or on the web at frigidaire.com.



*When installing top mount refrigerator adjacent to wall, cabinet or other appliance that extends beyond front edge of unit, 20" minimum clearance recommended to allow for optimum 140° door swing, providing complete crisper access and removal. (Absolute 3" minimum clearance will ONLY allow for 90° door swing which will provide limited crisper access with restricted removal.)



Use these dimensions and clearance instructions for planning purposes only. For detailed installation instructions, refer to installation guide, packed with product, or on the web at frigidaire.com.



*When installing French door refrigerator adjacent to wall, cabinet or another appliance that extends beyond front edge of unit, 20" minimum clearance recommended to allow for optimum 120° to 180° door swing, providing complete drawer/crisper access and removal. (Absolute 4-1/2" minimum clearance will ONLY allow for 90° door swing which will provide limited drawer/crisper access with restricted removal.)

When installing appliance with sliding drawer, swinging or drop-down door directly across from obstructions, provide sufficient clearance for drawer extension or door swings.



Use these dimensions and clearance instructions for planning purposes only. For detailed installation instructions, refer to installation guide, packed with product, or on the web at frigidaire.com.

