



Freestanding Range

FFGF3019L W

30" Gas



Product Dimensions

Height (Max.)	47-1/2"
Width	29-7/8"
Depth (Including Handle)	28-1/2"

More Easy-To-Use Features

Black Matte Finish with Cast Iron Grates

A premium finish to complement the durable burner grates.

Quick Boil

Boil water faster with our 14,000 BTU burner.

Low Simmer Burner

Perfect for delicate foods and sauces.

Even Baking Technology

Our latest technology ensures even baking every time.

Extra-Large Window

Our extra-large oven window lets you easily see what's inside.

Hi/Lo Broil Option

Offers two-position broiling and variable temperature control for more control.

Timed Cook Option

Electronic Kitchen Timer

Bright Lighting

Our bright lighting makes it easy to see what's inside.

Manual Clean Oven

Broil and Serve™ Drawer

LP Gas Conversion Option

Available in:



White
(W)

Signature Features

Ready-Select® Controls

Select options or control cooking temperature with our easy-to-use controls.

Fits-More™ Cooktop

The Fits-More™ cooktop features five burners so you can cook more at once.

Continuous Cast Iron Grates

Continuous Grates make it easy to move heavy pots and pans between burners without lifting.

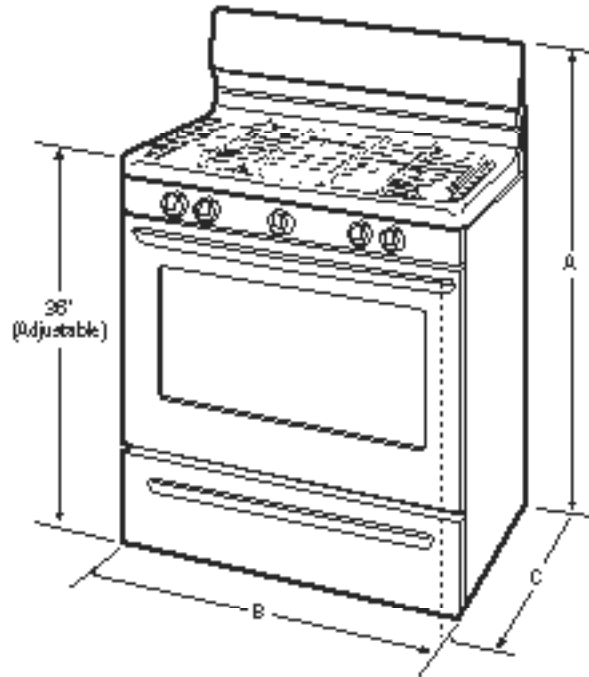
Sealed Gas Burners

Enjoy easier cleanup and a burner that stays looking great.

Burners	BTU
Right Front	14,000
Right Rear	5,000
Left Front	9,500
Left Rear	9,500
Center Extra Zone	10,000

Features	
Oven Control/Timing System	Ready-Select® Controls
Surface Type	Deep-Well Color-Coordinated Porcelain
Sealed Gas Burners	Yes
Grates	Continuous Cast Iron with Black Matte Finish
Window	Extra-Large
Exterior Door Finish	Color-Coordinated
Handle Design	Color-Coordinated
Exterior Finish (Side Panels)	Color-Coordinated
Convection System	
Oven Cleaning System	Manual Clean
Drawer Functionality	Broil
Oven Controls	
Bake	Yes
Broil	Low and High
Add-a-Minute	
Delay Bake	
Self-Clean	
Quick Clean Option	
Delay Clean	
Kitchen Timer	Yes
Timed Cook Option	Yes
Auto Oven Shut-Off	
Cooktop Features	
Right Front Burner (BTU)	14,000
Right Rear Burner (BTU)	5,000
Left Front Burner (BTU)	9,500
Left Rear Burner (BTU)	9,500
Center Extra Zone Burner (BTU)	10,000
Oven Features	
Capacity (Cu. Ft.)	4.2
Oven Light	1
Rack Configuration	2 Standard
Even Baking System	Yes
Broiling System	Vari-Broil™ Hi/Lo
Bake Burner/Broil Burner (BTU)	18,000/18,000
Optional Accessories	
LP Gas Conversion Kit	PN# GRLP3
Specifications	
Oven Interior (H x W x D)	17-5/8" x 24-3/8" x 19-3/4"
Power Supply Connection Location	Left Bottom Rear
Gas Supply Connection Location	Right Bottom Rear
Voltage Rating	120V / 60 Hz / 15A
Connected Load (kW Rating) @ 120 Volts ¹	1.8
Amps @ 120 Volts	15
Shipping Weight (Approx.)	150 Lbs.

¹For use on adequately wired 120V, dedicated circuit having 2-wire service with a separate ground wire. Appliance must be grounded for safe operation.



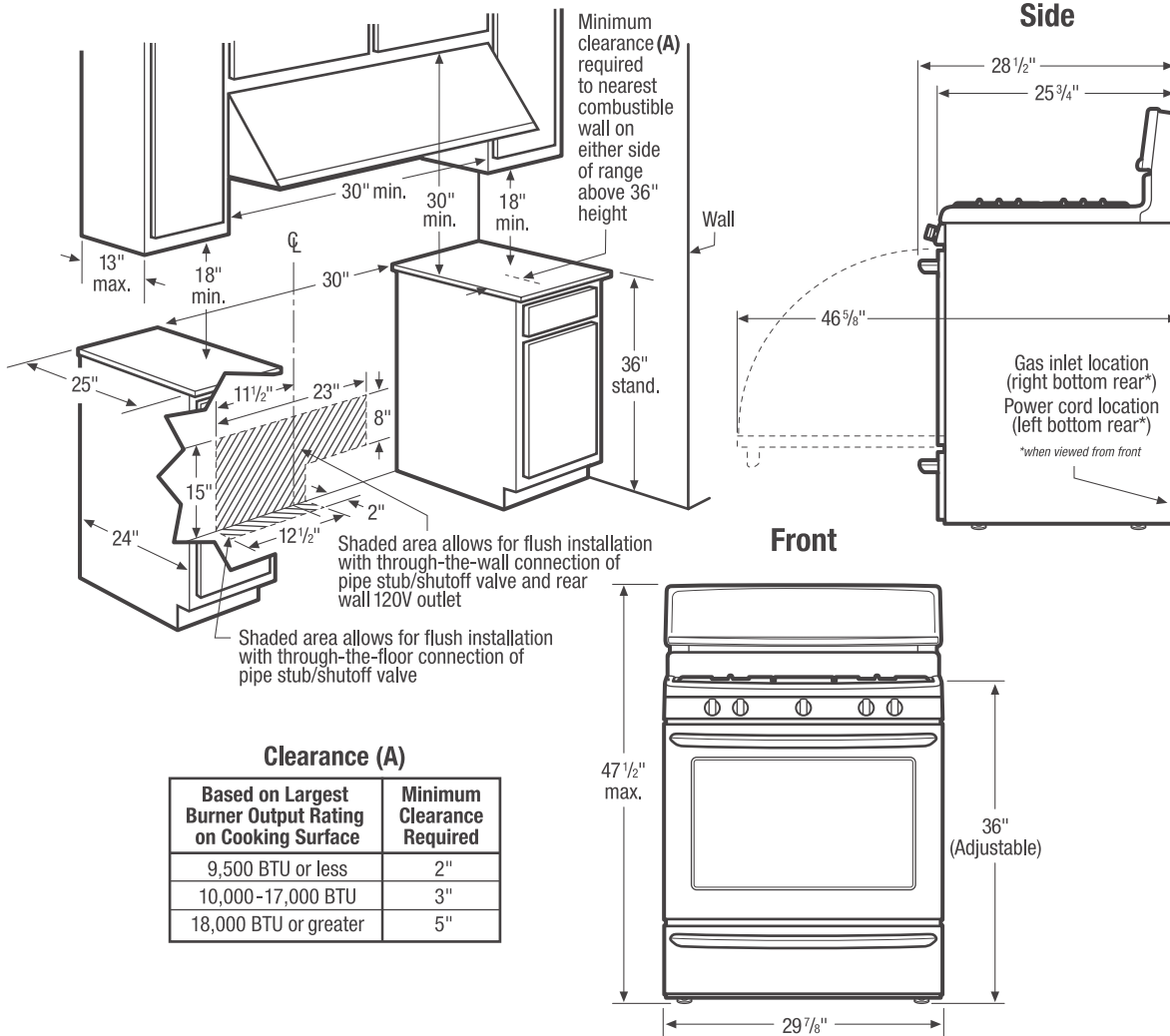
NOTE: For planning purposes only. Always consult local and national electric and gas codes. Refer to Product Installation Guide for detailed installation instructions on the web at frigidaire.com.



Product Dimensions	
A - Height (Max.)	47-1/2"
B - Width	29-7/8"
C - Depth (Including Handle)	28-1/2"
Depth with Door Open 90°	46-5/8"

Cabinet Cutout Dimensions	
Height (Standard)	36"
Width (Min.)	30"
Depth (Min.)	24"

Accessories information available on the web at frigidaire.com



Freestanding Range Specifications

- Product Shipping Weight (approx.) - 150 Lbs.
- Voltage Rating - 120V / 60 Hz / 15 Amps
- Connected Load (kW Rating) @ 120 Volts = 1.8kW (For use on adequately wired 120V, dedicated circuit having 2-wire service with a separate ground wire. Appliance must be grounded for safe operation.)
- Amps @ 120 Volts = 15 Amps
- Always consult local and national electric and gas codes.
- Make sure wall coverings around range can withstand heat generated by range.
- Linoleum or any other synthetic floor covering located beneath range, must be capable of withstanding minimum heat of 90° F above room temperature without shrinking, warping or discoloring. Insulating pad or 1/4"-thick plywood required between range and a carpeted floor.
- Do not obstruct flow of combustion air at oven vent nor around base or beneath lower front panel of range. Range requires fresh air for proper burner combustion.
- Do not install range beneath any downward-blowing, overhead vent hood or air curtain.
- Range ships with 3/4" factory regulator.
- Range is LP Gas convertible. (Optional LP Gas Conversion Kit available.)

- Floor beneath range MUST be solid and level.
- Overhead cabinetry should not exceed a 13" maximum depth.
- Absolute minimum horizontal distance between overhead cabinets installed to either side of appliance must be no less than maximum width of appliance.
- Range can be installed flush to wall with 0" minimum rear clearance.
- Minimum clearance required (from edge of rangetop to nearest combustible wall on either side of range above 36" height) is based on largest burner output rating on cooking surface.
- To reduce risk of fire when using overhead cabinetry, install range hood that projects horizontally a recommended minimum of 5" beyond bottom of cabinets.
- Follow all dimension requirements provided to prevent property damage, potential fire hazard, and incorrect countertop and cabinet cuts.

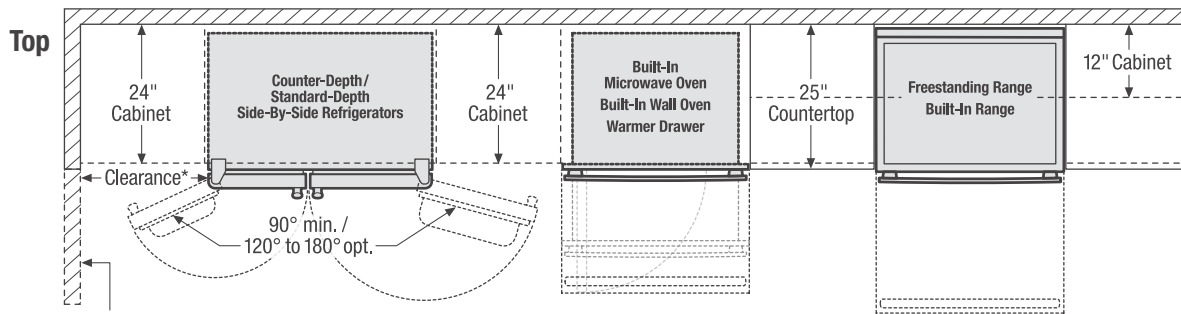
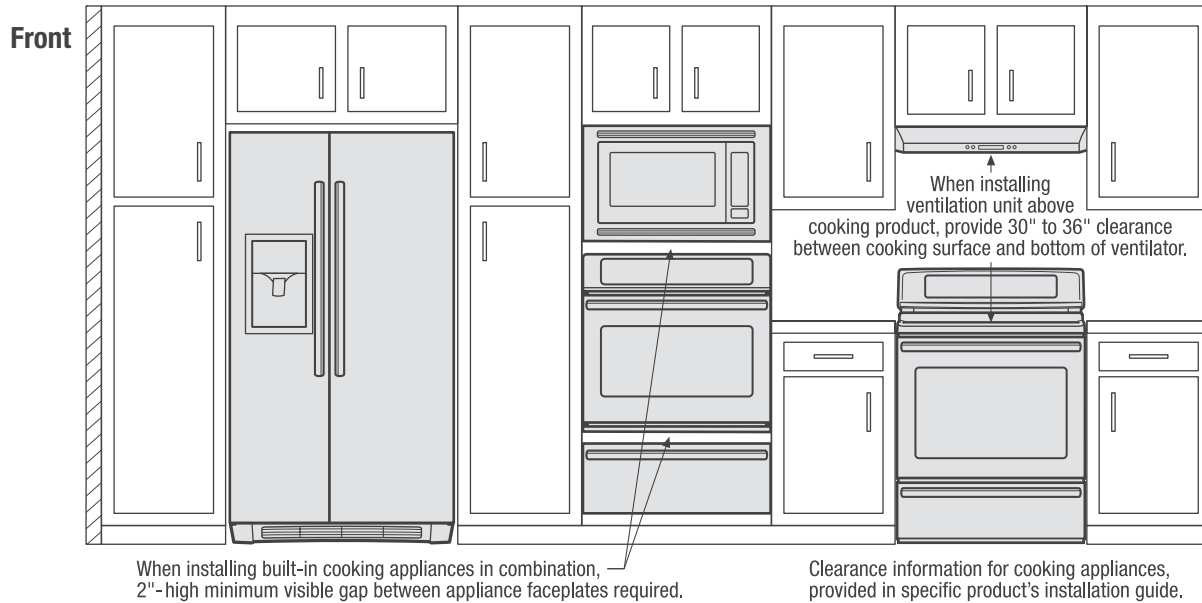
Note: For planning purposes only. Refer to Product Installation Guide on the web at frigidaire.com for detailed instructions.

Optional Accessories

- LP Gas Conversion Kit - (PN# GRLP3)

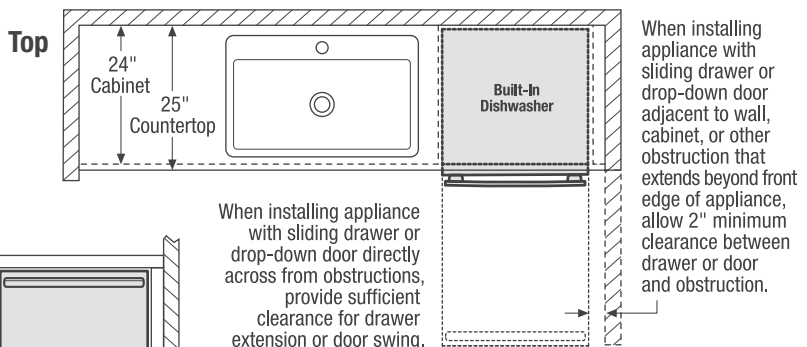


Use these dimensions and clearance instructions for planning purposes only. For detailed installation instructions, refer to installation guide, packed with product, or on the web at frigidaire.com.

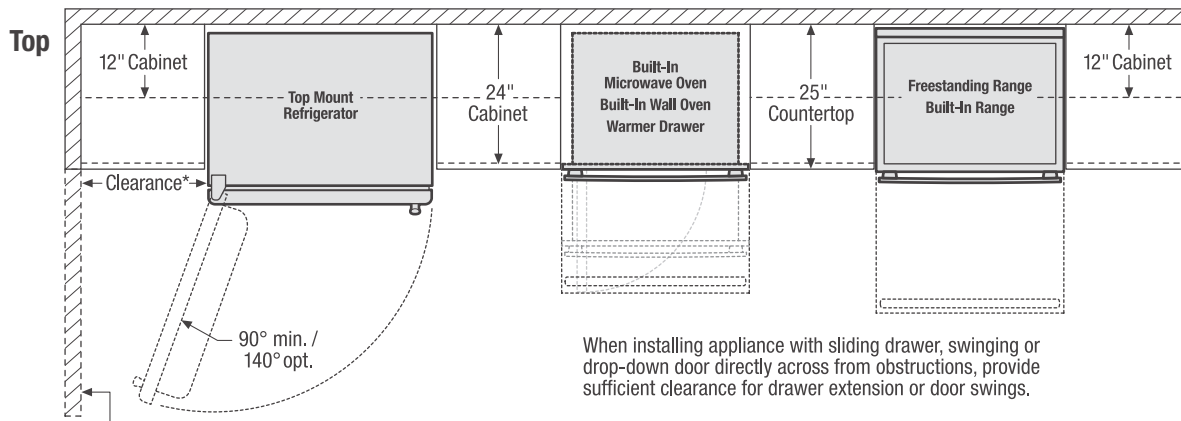
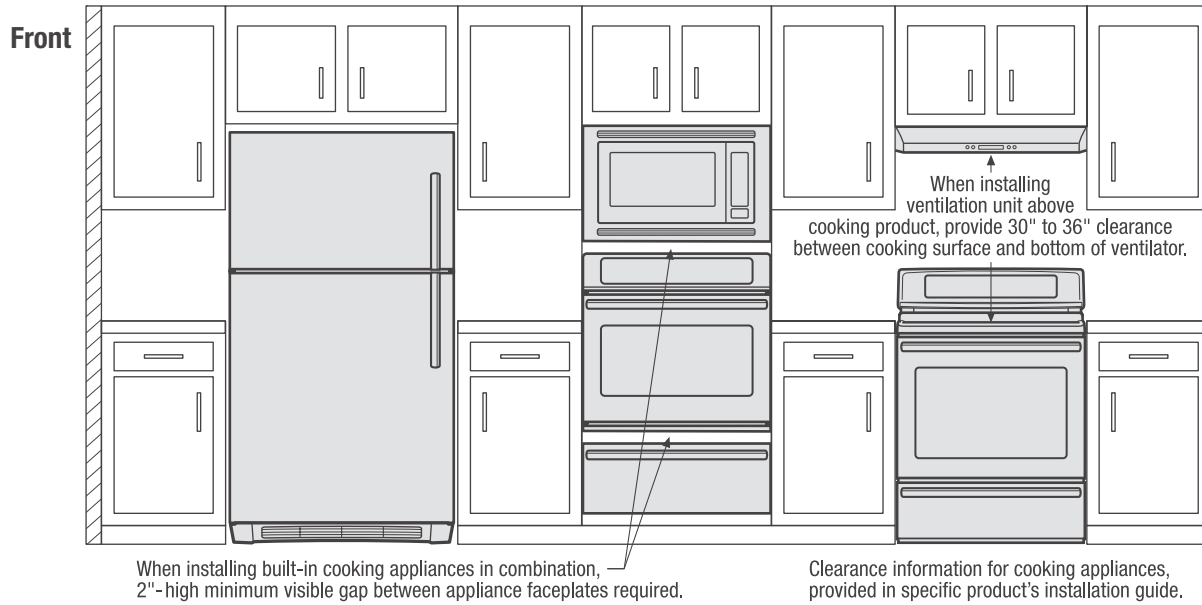


*When installing side-by-side refrigerator adjacent to wall, cabinet or another appliance that extends beyond front edge of unit, 20" minimum clearance recommended to allow for optimum 120° to 180° door swing, providing complete drawer/crisper access and removal. (Absolute 4-1/2" minimum clearance will ONLY allow for 90° door swing which will provide limited drawer/crisper access with restricted removal.)

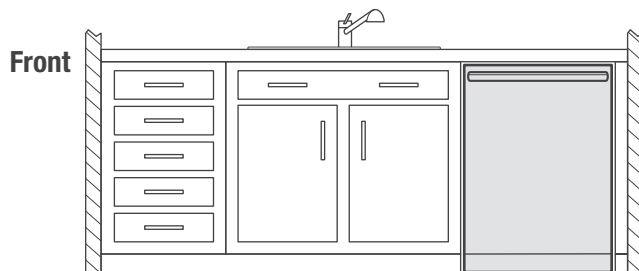
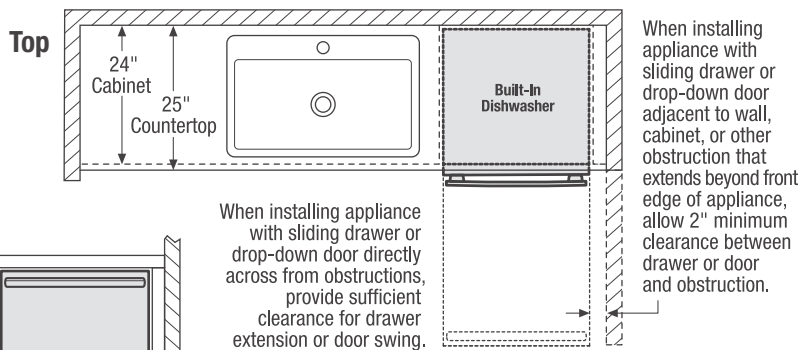
When installing appliance with sliding drawer, swinging or drop-down door directly across from obstructions, provide sufficient clearance for drawer extension or door swings.



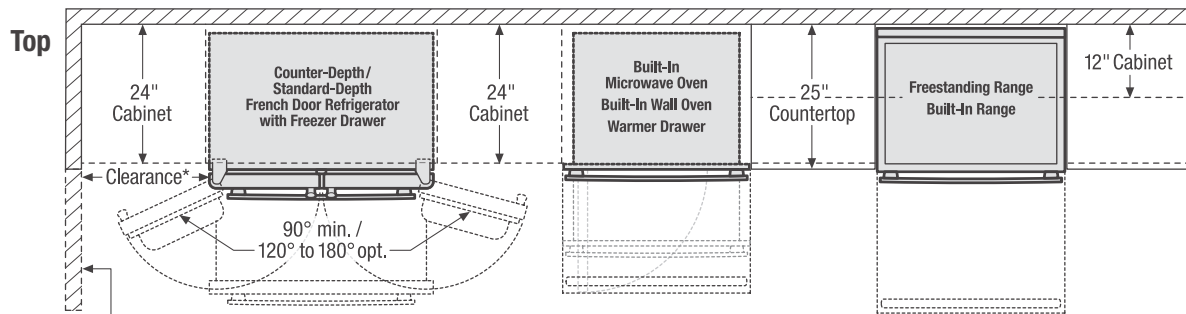
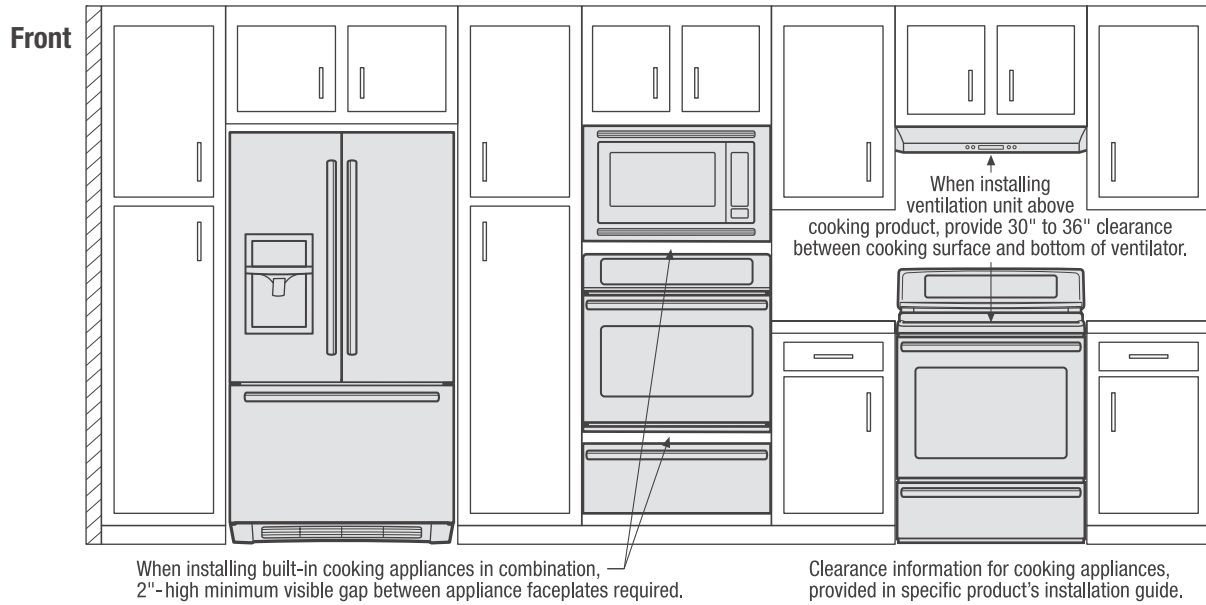
Use these dimensions and clearance instructions for planning purposes only. For detailed installation instructions, refer to installation guide, packed with product, or on the web at frigidaire.com.



*When installing top mount refrigerator adjacent to wall, cabinet or other appliance that extends beyond front edge of unit, 20" minimum clearance recommended to allow for optimum 140° door swing, providing complete crisper access and removal. (Absolute 3" minimum clearance will ONLY allow for 90° door swing which will provide limited crisper access with restricted removal.)

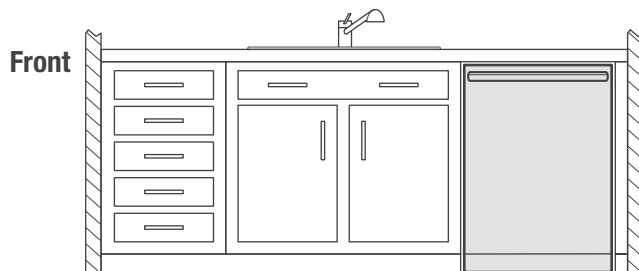
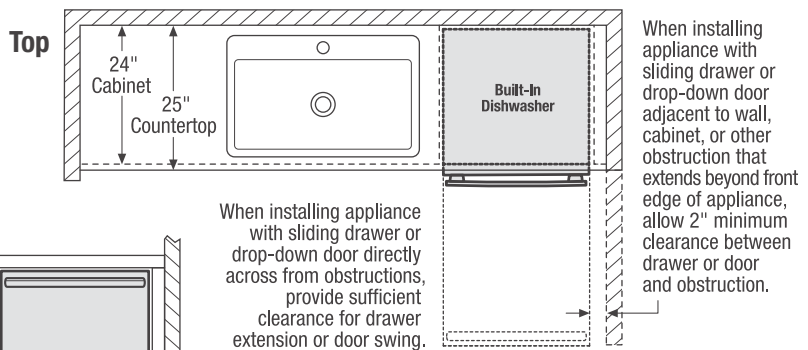


Use these dimensions and clearance instructions for planning purposes only. For detailed installation instructions, refer to installation guide, packed with product, or on the web at frigidaire.com.



*When installing French door refrigerator adjacent to wall, cabinet or another appliance that extends beyond front edge of unit, 20" minimum clearance recommended to allow for optimum 120° to 180° door swing, providing complete drawer/crisper access and removal. (Absolute 4-1/2" minimum clearance will ONLY allow for 90° door swing which will provide limited drawer/crisper access with restricted removal.)

When installing appliance with sliding drawer, swinging or drop-down door directly across from obstructions, provide sufficient clearance for drawer extension or door swings.



When installing appliance with sliding drawer or drop-down door directly across from obstructions, provide sufficient clearance for drawer extension or door swing.

Use these dimensions and clearance instructions for planning purposes only. For detailed installation instructions, refer to installation guide, packed with product, or on the web at frigidaire.com.

