

FRIGIDAIRE

GALLERY



21.5 Cu. Ft. Counter-Depth 4-Door French Door Refrigerator

French Door Refrigerator

Available Products: GRMC2273CD, GRMC2273CF

Available Colors: Black Stainless Steel, Stainless Steel

Version: 08/22

Product Specifications

Refrigerator

Adjustable Temperature Drawer	Yes
Air Filter	Yes
Crisper Color	Clear
Dairy Bin	Yes
Door Bin Color	Clear
Humidity Controls	Automatic
Interior Lighting	MultiLevel LED
Shelf Material	Glass
Water Filter	Yes
Number of Adjustable Gallon Door Bins	2
Number of Fixed Condiment Door Bins	1
Number of Fixed Gallon Door Bins	1
Number of Other Door Bins	2
Total Number of Door Bins	7
Number of Adjustable Shelves	2
Number of Fixed Shelves	1
Number of Crispers	2

Ice Maker

Ice Maker	Yes
Ice Maker Location	Fresh Food Section
Ice Shape	Pyramid
Second Ice Maker	No

Controls

Air Filter Indicator	Yes
Digital Display	Yes
Door Ajar Alarm	Yes
Control Lock	Yes
Ice Maker On/Off	Yes
Power Failure Alarm	Yes
Sabbath Mode	Yes
Water Filter Indicator	Yes
Second Control Location	Drawer
Control Location	Dispenser

Exterior

Counter-Depth	Yes
Door Stops	Yes
Front Rollers	Yes
Door Finish	Smooth

Freezer

Auto Close Drawer	Yes
Automatic Defrost	Yes
Basket Divider	Yes
Baskets / Bins Color	White
Drawer Color	White
Interior Lighting	LED
Shelf Material	Glass
Number of Baskets / Bins	1
Number of Pull Out Shelves	1
Total Number of Shelves	1

Convertible Compartment

Adjustable Drawer Divider	Yes
Convertible Drawer	Yes
Interior Lighting	LED
Temperature Range	-6° to 45°F
Control Location	Drawer

Dispenser

Dispenser Height	10 4/10"
Crushed Ice	Yes
Cube Ice	Yes
Dispenser	Yes
Light Control	Yes
Water	Yes

Dimensions and Volume

Height With Hinge	70 3/16"
Height Without Hinge	70"
Width	35 9/10"
Width of Cabinet	35 6/10"
Depth of Cabinet	24 6/10"
Depth With Door	29 1/2"
Depth With Door 90° Open	46 9/10"
Depth With Door and Handle	32"
Depth With Drawer Open	45 1/4"
Fresh Food Capacity	13.1 Cu. Ft.
Freezer Capacity	5.8 Cu. Ft.
Convertible Zone Capacity	2.6 Cu. Ft.
Total Capacity	21.5 Cu. Ft.

For planning purposes only. We reserve the right to change specifications or discontinue models without notice. Refer to Product Installation Guide for detailed installation instructions on the web at [frigidaire.com / frigidaire.ca](http://frigidaire.com/frigidaire.ca)
Electrolux Major Appliances, N.A.

USA • 10200 David Taylor Drive • Charlotte, NC 28262 • Charlotte, NC 28262 • 1-877-4electrolux (1-877-435-3287) • frigidaire.com
CANADA • 5855 Terry Fox Way • Mississauga, ON L5V 3E4 • 1-800-265-8352 • frigidaire.ca

Electrical Specifications

Minimum Circuit Required	15 Amps
--------------------------	---------

Performance Certifications and Approvals

ENERGY STAR Certified	Yes
-----------------------	-----

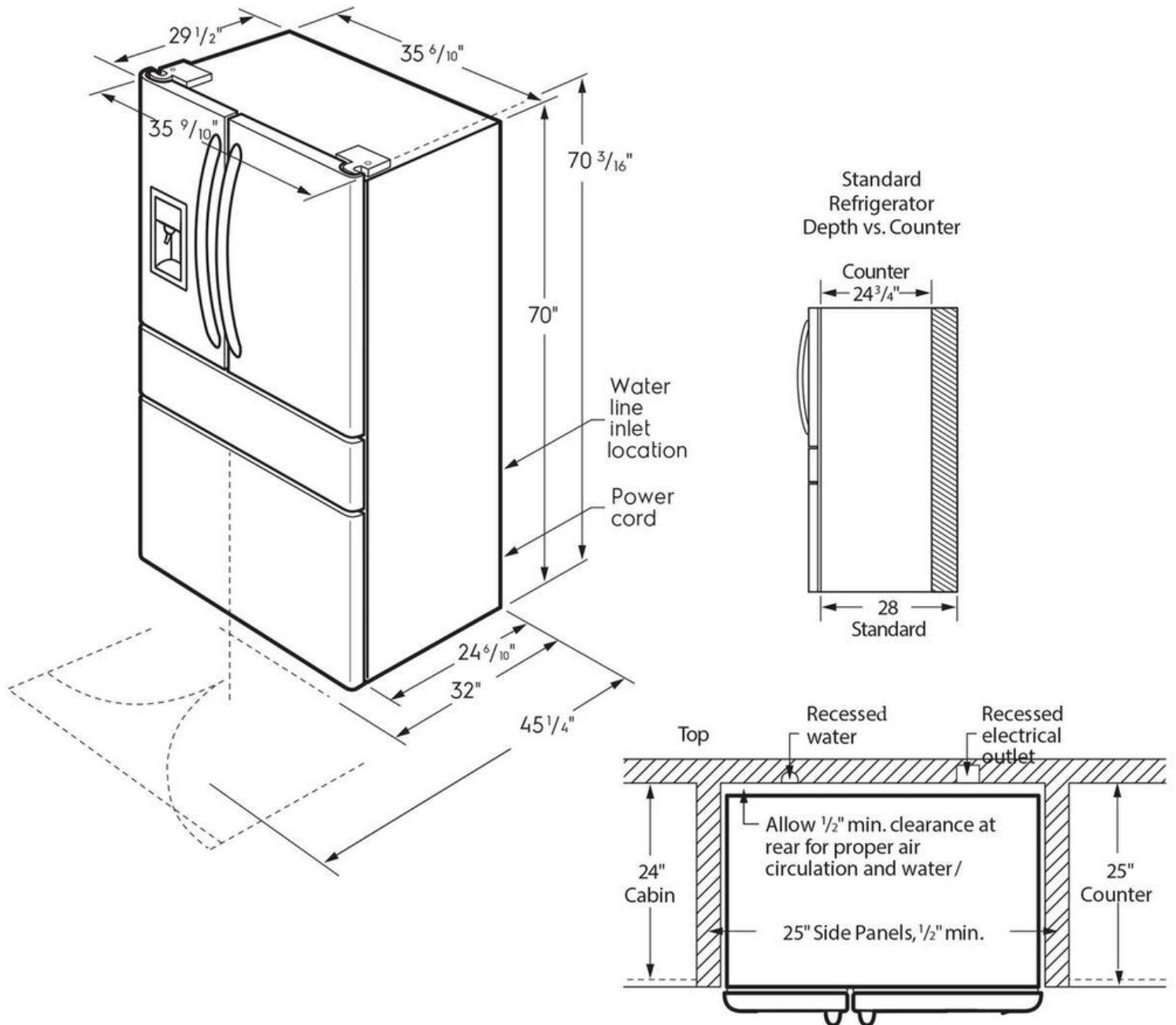
General Specifications

Annual Energy	668 kWh
Condenser Type	Dynamic
Cooling System	Dual Evaporator
Leveling Legs	Yes
Prop 65 Label	Yes
Refrigerant Type	R-600A
Warranty - Labor	1 Year
Warranty - Parts	1 Year

Safety Certifications and Approvals

CSA Listed	Yes
------------	-----

Installation Diagram



FRIGIDAIRE GALLERY

GCRG3060AD

GCRG3060AF

Available Colors : Black Stainless Steel, Stainless Steel

Version : 04/20

Gas Ranges

30" Rear Control Gas Range with Air Fry



Product Specifications

Electrical Specifications

Minimum Circuit Required (Amps)	5A
Voltage Rating	120V 60Hz

Certifications & Approvals

Agency Approval	CSA Certified
-----------------	---------------

Exterior

Cooktop Finish	Color-Coordinated Porcelain
Drawer Finish	Color-Coordinated
Exterior Finish	Color-Coordinated
Handle Color	Color-Coordinated

Accessories

Griddle	Included
---------	----------

Dimensions: Exterior

Depth (with Door 90° Open)	46-5/8"
Depth Including Handle	29-1/4"
Height	48 1/2"
Width	30"

Drawer

Drawer Functionality	Storage
----------------------	---------

General Specifications

Adjustable Leveling Legs	4 Adjustable
Product Weight (lbs)	200
Prop 65 Label	Yes

Oven

Bake	18000 BTU
Baking System	Even Baking Technology
Broil	13500 BTU
Broil System	Variable (400°F to 550°F)
Oven 1 Convection System	900 Watts True Convection
Interior Lighting	1 Incandescent
Oven 1 Interior Color	Slate Blue
Oven 1 Interior Depth	19-1/8"
Oven 1 Interior Height	18-5/8"
Oven 1 Interior Width	24-3/8"
Oven 1 Rack Configuration	3 Heavy Duty Handle Racks
Oven 1 Rack Positions	6 Positions
Oven 1 Window	Extra-Large Visualite®

Cooking Controls

Air Fry	Yes
Bake	Yes
Broil	Yes
Cancel	Yes
Convection Bake	Yes
Convection Conversion	Yes
Convection Roast	Yes
Delay Clean	Yes
Door Lock	Yes
Keep Warm	Yes
Probe	Yes
Self-Clean	Yes
Steam Clean	Yes
Timer	Yes

Cooktop

Center	Oval 10000 BTU
Cooking Surface	Color-Coordinated Porcelain
Electronic Ignition	Yes
Grate Color	Black Matte
Grate Material	Cast Iron
Grates	3 Continuous Grates
Knob Color	Color-Coordinated
Left Front	9500 BTU
Left Rear	14000 BTU
Right Front	18000 BTU
Right Rear	5000 BTU

Capacities

Total Capacity	5.0 Cu. Ft.
----------------	-------------

Note: For planning purposes only. Always consult local and national electric, gas and plumbing codes. Refer to Product Installation Guide for detailed installation instructions on the web at frigidaire.com/frigidaire.ca. Specifications subject to change. Accessories information available on the web at frigidaire.com/frigidaire.ca.

FRIGIDAIRE GALLERY

GCRG3060AD

GCRG3060AF

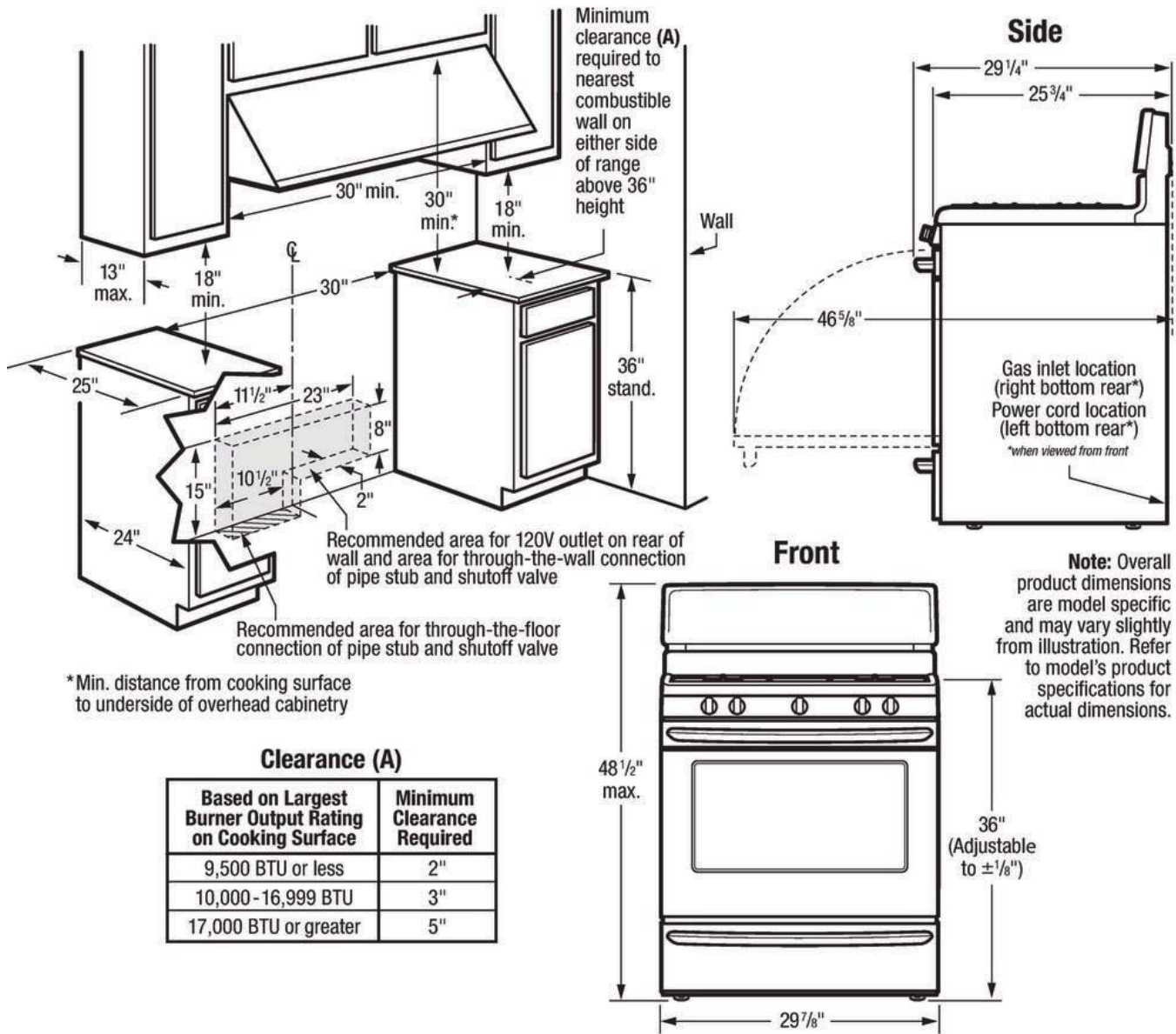
Available Colors : Black Stainless Steel, Stainless Steel

Version : 04/20

Gas Ranges

30" Rear Control Gas Range with Air Fry

Installation Drawing



*Min. distance from cooking surface to underside of overhead cabinetry

Clearance (A)

Based on Largest Burner Output Rating on Cooking Surface	Minimum Clearance Required
9,500 BTU or less	2"
10,000 - 16,999 BTU	3"
17,000 BTU or greater	5"

Note: For planning purposes only. Always consult local and national electric, gas and plumbing codes. Refer to Product Installation Guide for detailed installation instructions on the web at frigidaire.com/frigidaire.ca. Specifications subject to change. Accessories information available on the web at frigidaire.com/frigidaire.ca

FRIGIDAIRE

GALLERY



24" Built-In Dishwasher

Dishwasher

Available Products: GDPH4515AF, GDPH4515AD

Available Colors: Stainless Steel, Black Stainless Steel

Version: 08/22

Product Specifications

Dishwasher

Detergent Dispenser	Yes
Filter Material	Stainless Steel
Filter Trap	Removable
Filtered Water	100 %
Hard Food Disposer or Filtration	Yes
Interior Light	No
Place Setting Capacity	14
Rinse Aid Dispenser	Yes
Smart Soil Sensor	Yes
Spray Arm	Orbit
Status Indicator Floor Beam	Yes
Tub Color	Midnight Ink
Tub Design	Tall Tub
Tub Material	Plastic
Wash Levels	5
Wash System	Direct Feed
Water Pressure	120 psi
Motor Speeds	Single-Speed

Dishwasher Options

Air Dry	Yes
Drying System	MaxBoost
Heated Dry	Yes
High Temperature	Yes
Start/Cancel	Yes

Upper Rack

Cup Shelf	No
Fold-Down	No
Minimum Height Clearance	8"
Rack Type	Adjustable
Rack Handles	No
Rack Coating	Nylon
Stemware Holder	No
Rack Spacer	Yes

Exterior

Door and Handle Design	Handle
Door Latch	Pull
Door Type	StayPut

Dishwasher Cycles

Energy Saver	Yes
Heavy	Yes
Normal	Yes
Number of Cycles	5
Quick	Yes
Rinse Only	Yes

Lower Rack

Fold-Down	No
Minimum Height Clearance	11"
Maximum Height Clearance	13"
Number of Silverware Basket	1
Number of Silverware Basket Lids	3
Rack Coating	Nylon
Rack Type	Standard

Controls

Control Color	Stainless Steel
Control Location	Top
Digital Display	No
Control Lock	Yes
Rinse Aid Indicator	Yes
Delay Start Hours	2-6 Hours

Dimensions and Volume

Width	24"
Depth	25"
Depth With Door Open	49 1/4"
Minimum Height	33 1/2"
Maximum Height	35"

Installation

Connection Location	Right Bottom
Number of Leveling Legs	4
Water Inlet Location	Left Bottom Front

Performance Certifications and Approvals

CEE Tier	Tier 1
ENERGY STAR Certified	Yes

For planning purposes only. We reserve the right to change specifications or discontinue models without notice. Refer to Product Installation Guide for detailed installation instructions on the web at [frigidaire.com / frigidaire.ca](http://frigidaire.com/frigidaire.ca) Electrolux Major Appliances, N.A.

USA • 10200 David Taylor Drive • Charlotte, NC 28262 • Charlotte, NC 28262 • 1-877-4electrolux (1-877-435-3287) • frigidaire.com
CANADA • 5855 Terry Fox Way • Mississauga, ON L5V 3E4 • 1-800-265-8352 • frigidaire.ca

Electrical Specifications

Amps @ 120 Volts	10 Amps
Connected Load @ 120V	1.2 kW
Voltage Rating	120 V

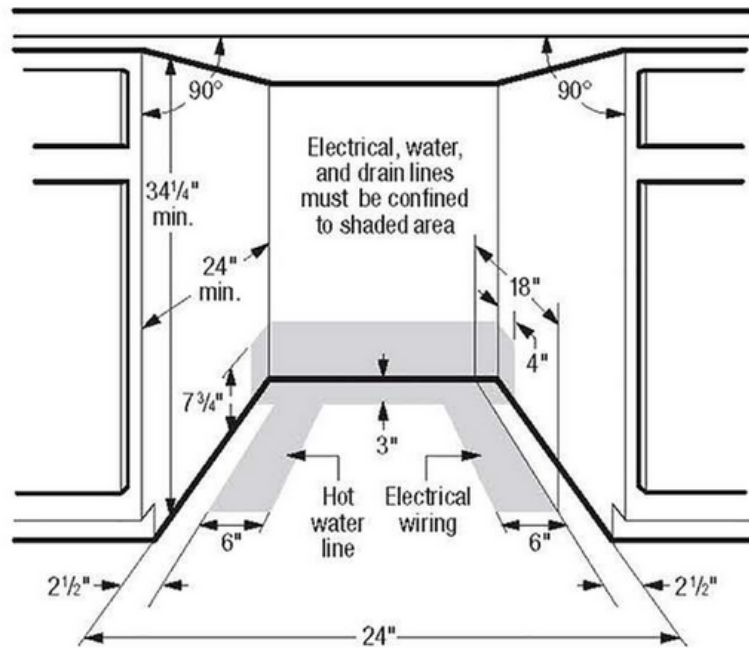
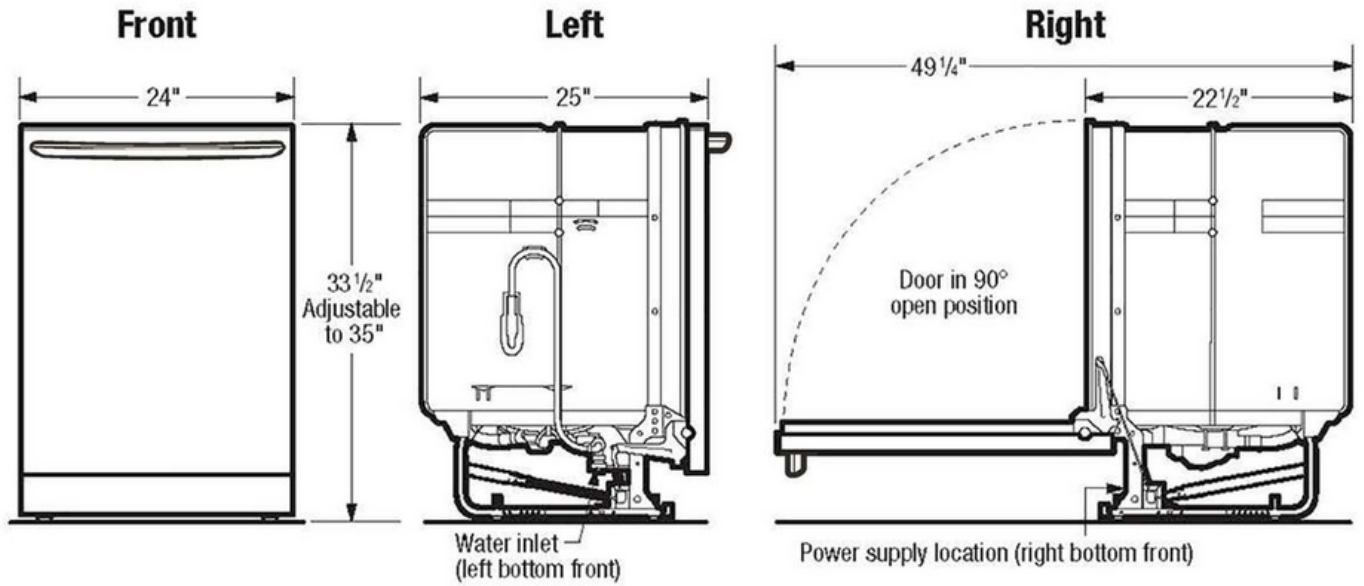
General Specifications

Annual Energy	268 kWh
Prop 65 Label	Yes
Sound Level	52 dBA
Warranty - Labor	1 Year
Warranty - Parts	1 Year

Safety Certifications and Approvals

UL Listed	Yes
cUL Listed	Yes
Meets ASSE 1006 Requirements	Yes
NSF Certified	Yes

Installation Diagram





Chimney Wall-Mount Hood

FHWC3055L S

30" Stainless Steel



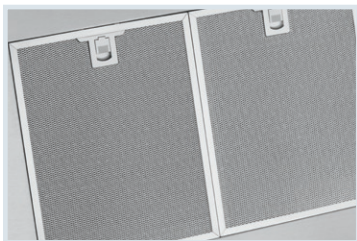
Signature Features



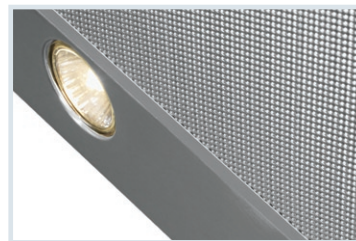
Stainless Steel Canopy Design
Classic hood design is constructed of durable stainless steel and very attractive.



Centrifugal Fan
Move air quietly and efficiently — up to 400 cu. ft. of air per minute.



Washable Filters
Dishwasher-safe for easy cleaning. The aluminum filter provides strength and durability not found in foam filters.



Halogen Lighting
For bright illumination of the cooktop surface.

Features

Nominal Width	30"
Installation Type	Wall Mount
Style	Stainless Steel / Chimney
Air Discharge	Vertical
Air Delivery (CFM)	400
Blower Type	Centrifugal
Controls	Electronic Push Button
Fan Speeds	3
Sound Level (dBA)	69.9
Dual Halogen Lights	Yes
Dishwasher-Safe Filters	Yes
Exhaust Duct	Convertible*
Duct Required	6" Round

Optional Accessories

Duct-Free Kit	PN# FHWRKT55LS
10' Flue Extension Kit	PN# FHWIOX55LS

Specifications

Product Dimensions -	
Height (With One Cover)	26-25/32" min.
(With Flue Extension)	31-11/16" min.
	45" max
Width	29-7/8"
Depth	19-11/16"
Voltage Rating	120V / 60Hz / 15A
Amps @ 120 Volts	4.0
Connected Load (kW Rating) @ 120 Volts†	0.516
Shipping Weight (Approx.)	80 Lbs.
Sones Rating	7.9

*Ventilation is convertible to be either ducted outside, or recirculated inside requiring no ducting. (Recirculated option requires use of optional Duct-Free Kit.)

†For use on adequately wired 120V, dedicated circuit having 2-wire service with a separate ground wire. Appliance must be grounded for safe operation.

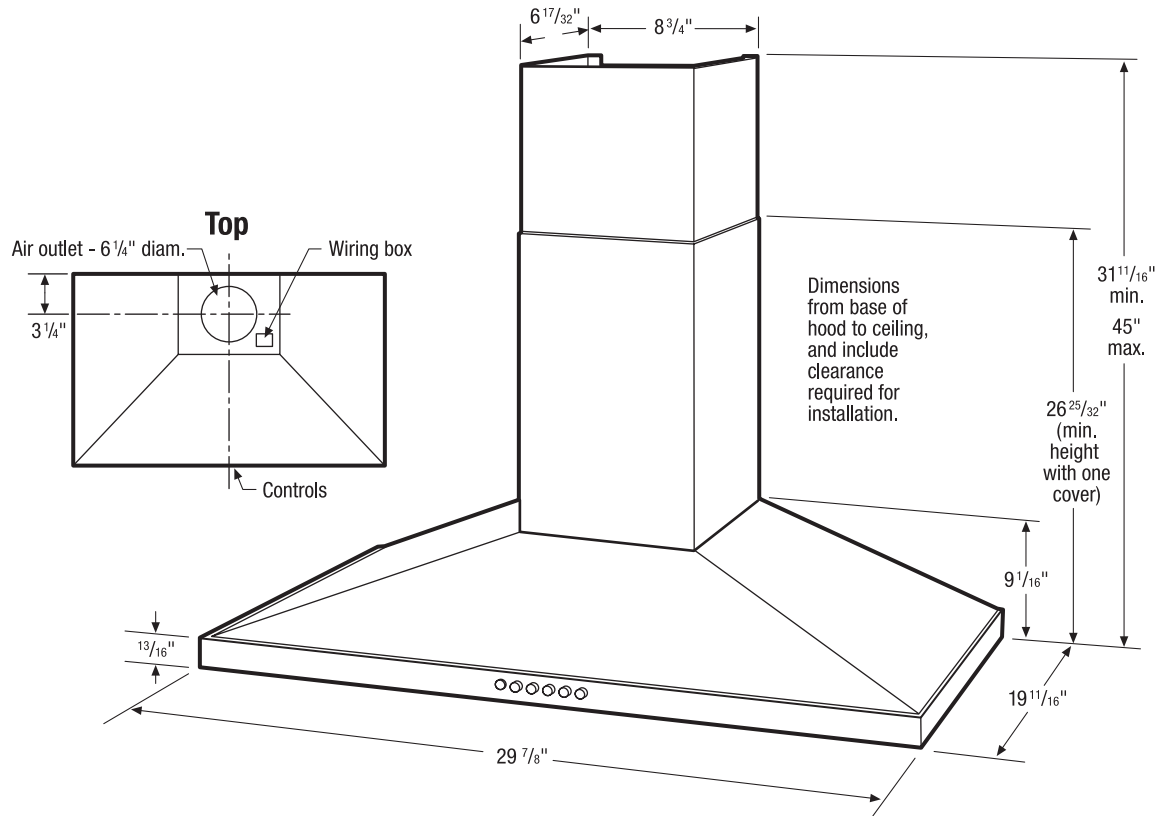
NOTE: Always consult local and national electric codes. Check local building codes for installation requirements, as they may vary per locale. Refer to Product Installation Guide for detailed installation instructions on the web at frigidaire.com.

Specifications subject to change.

Available in:



Stainless (S)



Chimney Wall-Mount Hood Specifications

- Product Shipping Weight (approx.) - 80 Lbs.
- Wall-Mount Installation
- Ventilation system is preset to exhaust air outside. If outside ducting is not possible, optional Duct-Free Recirculation Kit (PN# FHW3055L S) is available to convert ventilation to allow air to recirculate inside. (Refer to Ducted Option Specifications for outside ventilation.)
- Sones Rating - 7.9
- Voltage Rating - 120V / 60 Hz / 15 Amps
- Connected Load (kW Rating) @ 120 Volts = 0.516 kW (For use on adequately wired 120V, dedicated circuit having 2-wire service with a separate ground wire. Appliance must be grounded for safe operation.)
- Amps @ 120 Volts = 4 Amps
- Always consult local and national electric codes. Check local building codes for installation requirements, as they may vary per locale.
- Minimum installation height allowed from bottom of hood to standard 36"-high electric or gas cooking surface is 26" - 35". (NOT more than 32" recommended.) For detailed instructions regarding install heights in 8', 9' and 10' ceiling applications, refer to installation guide on web.
- To prepare mounting surface, adequate structure and support must be provided, capable of supporting 100 lbs.

Ducted Option Specifications

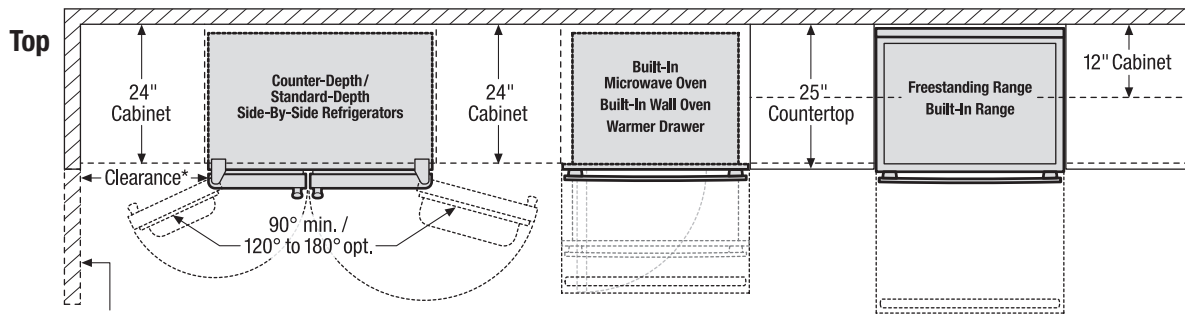
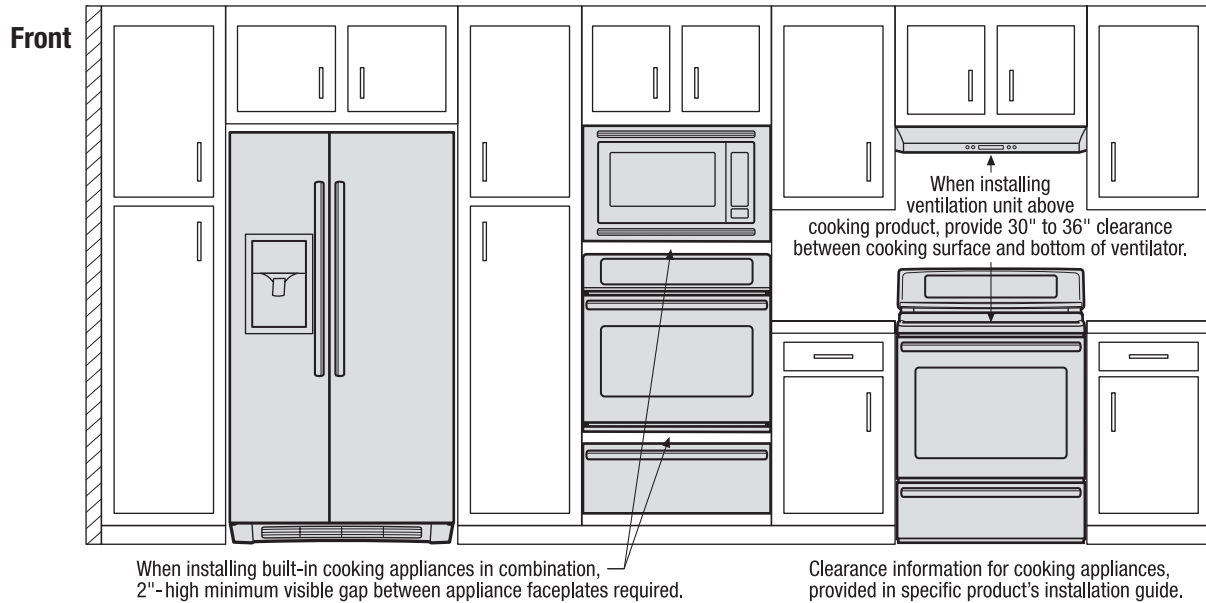
- For outside ventilation.
- Exhaust Duct Required - 6" round
- For most efficient airflow exhaust, use a straight run or as few elbows as possible.
- Use metallic flex ducting only to connect rigid duct directly to transitions (if allowed by code).
- Thermal breaks such as short section of nonmetallic duct, should be used in areas of extreme cold.
- Cold weather installations should have additional backdraft damper installed.
- Refer to installation instructions on web for detailed exhaust duct preparation and converting vent blower system for recirculating inside.

Note: For planning purposes only. Refer to Product Installation Guide on the web at frigidaire.com for detailed instructions.

Optional Accessories

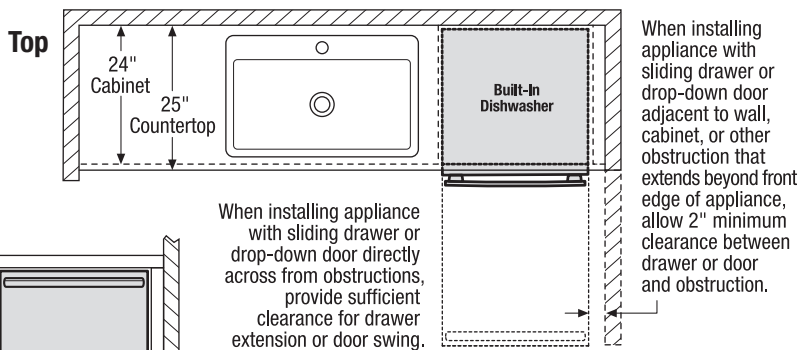
- Duct-Free Recirculation Kit - (PN# FHW3055L S)
- 10' Flue Extension Kit - (PN# FHW10X55L S)

Use these dimensions and clearance instructions for planning purposes only. For detailed installation instructions, refer to installation guide, packed with product, or on the web at frigidaire.com.

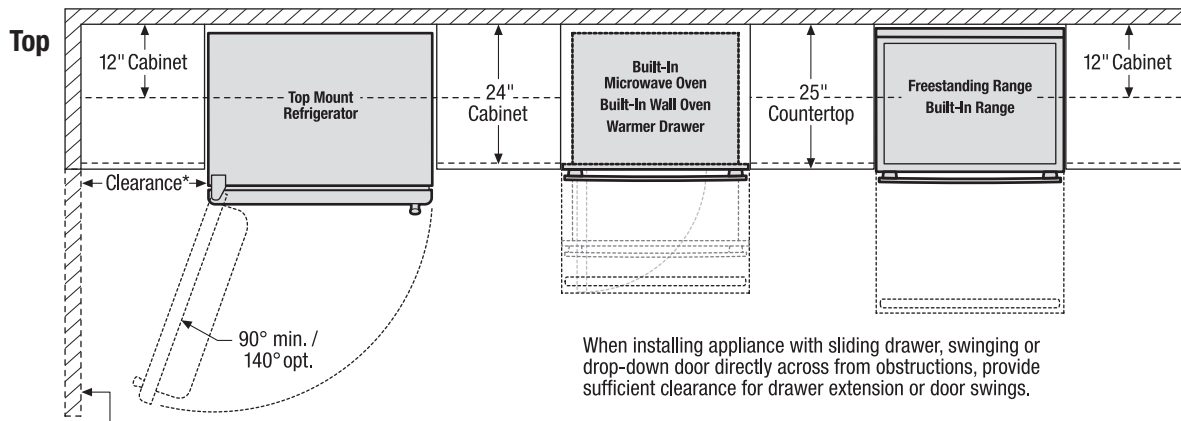
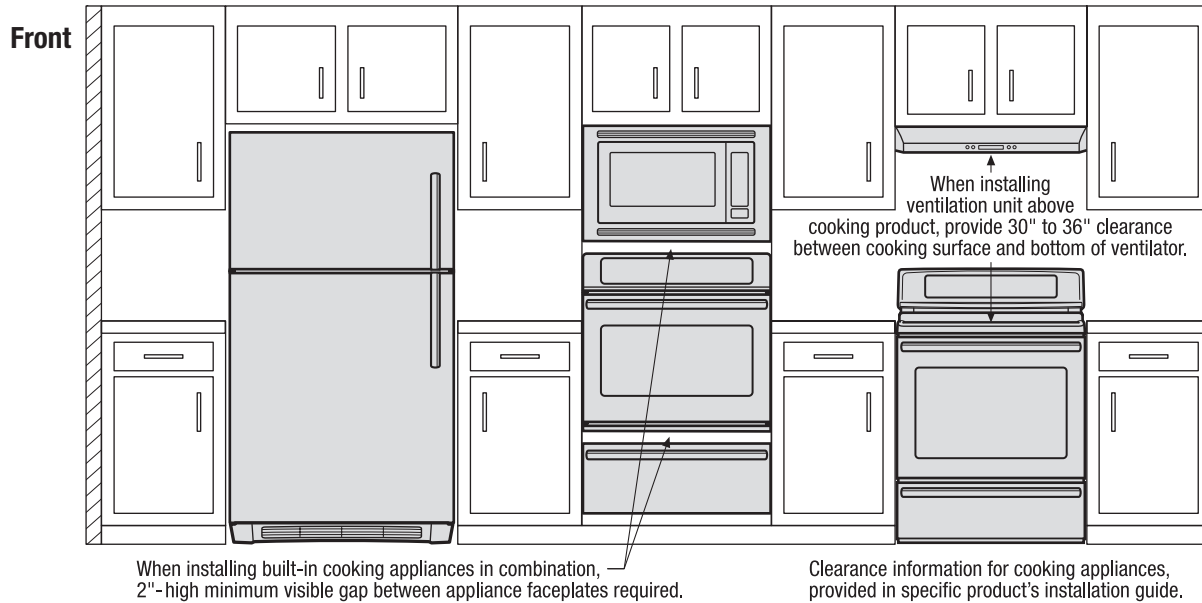


*When installing side-by-side refrigerator adjacent to wall, cabinet or another appliance that extends beyond front edge of unit, 20" minimum clearance recommended to allow for optimum 120° to 180° door swing, providing complete drawer/crisper access and removal. (Absolute 4-1/2" minimum clearance will ONLY allow for 90° door swing which will provide limited drawer/crisper access with restricted removal.)

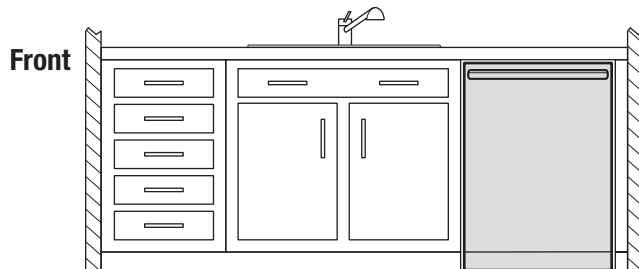
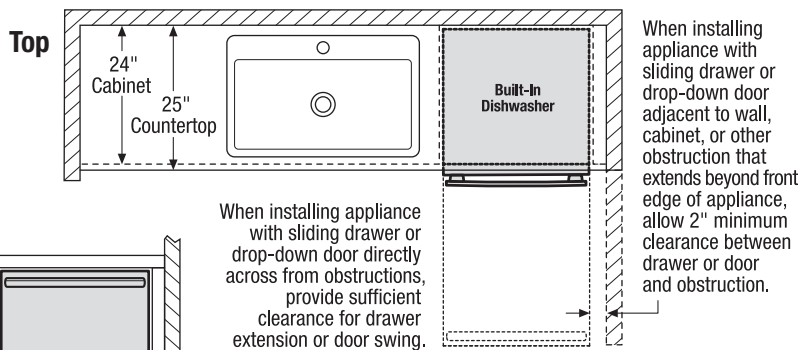
When installing appliance with sliding drawer, swinging or drop-down door directly across from obstructions, provide sufficient clearance for drawer extension or door swings.



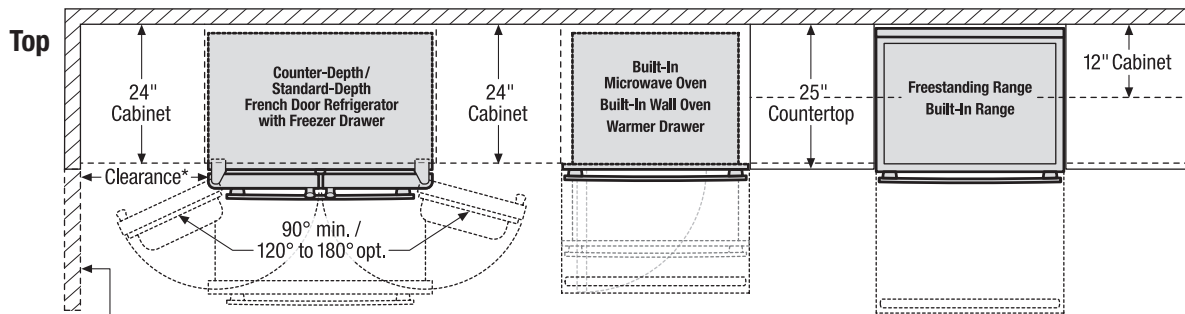
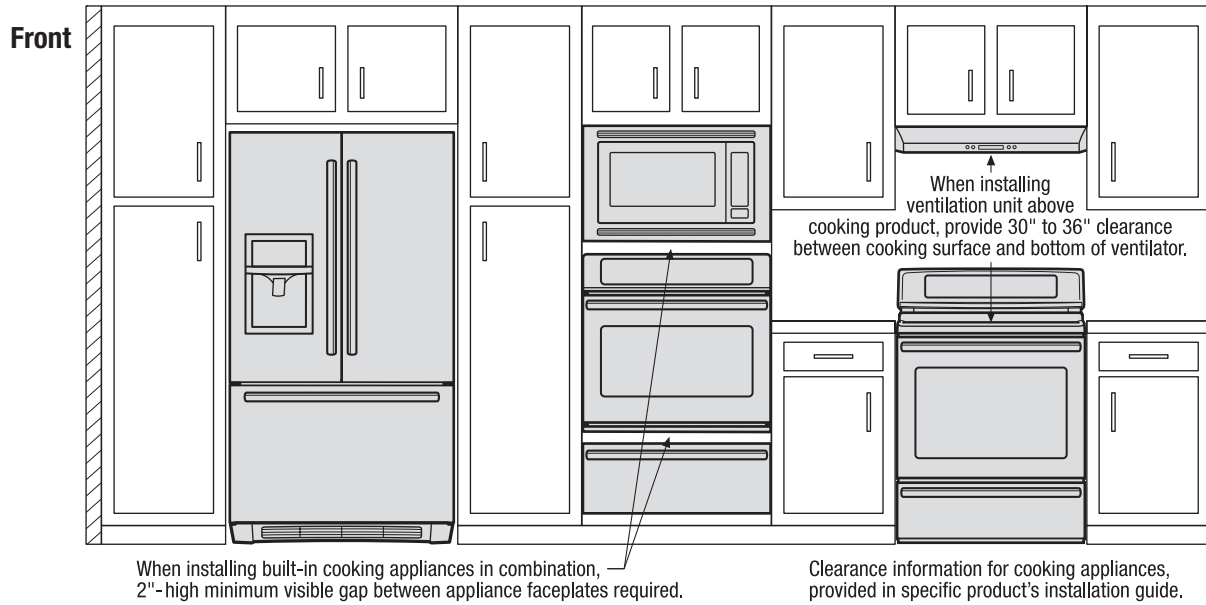
Use these dimensions and clearance instructions for planning purposes only. For detailed installation instructions, refer to installation guide, packed with product, or on the web at frigidaire.com.



*When installing top mount refrigerator adjacent to wall, cabinet or other appliance that extends beyond front edge of unit, 20" minimum clearance recommended to allow for optimum 140° door swing, providing complete crisper access and removal. (Absolute 3" minimum clearance will ONLY allow for 90° door swing which will provide limited crisper access with restricted removal.)



Use these dimensions and clearance instructions for planning purposes only. For detailed installation instructions, refer to installation guide, packed with product, or on the web at frigidaire.com.



*When installing French door refrigerator adjacent to wall, cabinet or another appliance that extends beyond front edge of unit, 20" minimum clearance recommended to allow for optimum 120° to 180° door swing, providing complete drawer/crisper access and removal. (Absolute 4-1/2" minimum clearance will ONLY allow for 90° door swing which will provide limited drawer/crisper access with restricted removal.)

When installing appliance with sliding drawer, swinging or drop-down door directly across from obstructions, provide sufficient clearance for drawer extension or door swings.

