

# FRIGIDAIRE

## GALLERY



### 21.5 Cu. Ft. Counter-Depth 4-Door French Door Refrigerator

French Door Refrigerator

Available Products: GRMC2273CD, GRMC2273CF

Available Colors: Black Stainless Steel, Stainless Steel

Version: 08/22

## Product Specifications

### Refrigerator

Adjustable Temperature Drawer	Yes
Air Filter	Yes
Crisper Color	Clear
Dairy Bin	Yes
Door Bin Color	Clear
Humidity Controls	Automatic
Interior Lighting	MultiLevel LED
Shelf Material	Glass
Water Filter	Yes
Number of Adjustable Gallon Door Bins	2
Number of Fixed Condiment Door Bins	1
Number of Fixed Gallon Door Bins	1
Number of Other Door Bins	2
Total Number of Door Bins	7
Number of Adjustable Shelves	2
Number of Fixed Shelves	1
Number of Crispers	2

### Ice Maker

Ice Maker	Yes
Ice Maker Location	Fresh Food Section
Ice Shape	Pyramid
Second Ice Maker	No

### Controls

Air Filter Indicator	Yes
Digital Display	Yes
Door Ajar Alarm	Yes
Control Lock	Yes
Ice Maker On/Off	Yes
Power Failure Alarm	Yes
Sabbath Mode	Yes
Water Filter Indicator	Yes
Second Control Location	Drawer
Control Location	Dispenser

### Exterior

Counter-Depth	Yes
Door Stops	Yes
Front Rollers	Yes
Door Finish	Smooth

### Freezer

Auto Close Drawer	Yes
Automatic Defrost	Yes
Basket Divider	Yes
Baskets / Bins Color	White
Drawer Color	White
Interior Lighting	LED
Shelf Material	Glass
Number of Baskets / Bins	1
Number of Pull Out Shelves	1
Total Number of Shelves	1

### Convertible Compartment

Adjustable Drawer Divider	Yes
Convertible Drawer	Yes
Interior Lighting	LED
Temperature Range	-6° to 45°F
Control Location	Drawer

### Dispenser

Dispenser Height	10 4/10"
Crushed Ice	Yes
Cube Ice	Yes
Dispenser	Yes
Light Control	Yes
Water	Yes

### Dimensions and Volume

Height With Hinge	70 3/16"
Height Without Hinge	70"
Width	35 9/10"
Width of Cabinet	35 6/10"
Depth of Cabinet	24 6/10"
Depth With Door	29 1/2"
Depth With Door 90° Open	46 9/10"
Depth With Door and Handle	32"
Depth With Drawer Open	45 1/4"
Fresh Food Capacity	13.1 Cu. Ft.
Freezer Capacity	5.8 Cu. Ft.
Convertible Zone Capacity	2.6 Cu. Ft.
Total Capacity	21.5 Cu. Ft.

For planning purposes only. We reserve the right to change specifications or discontinue models without notice. Refer to Product Installation Guide for detailed installation instructions on the web at [frigidaire.com / frigidaire.ca](http://frigidaire.com/frigidaire.ca) Electrolux Major Appliances, N.A.

USA • 10200 David Taylor Drive • Charlotte, NC 28262 • Charlotte, NC 28262 • 1-877-4electrolux (1-877-435-3287) • [frigidaire.com](http://frigidaire.com)  
CANADA • 5855 Terry Fox Way • Mississauga, ON L5V 3E4 • 1-800-265-8352 • [frigidaire.ca](http://frigidaire.ca)

### Electrical Specifications

Minimum Circuit Required	15 Amps
--------------------------	---------

### Performance Certifications and Approvals

ENERGY STAR Certified	Yes
-----------------------	-----

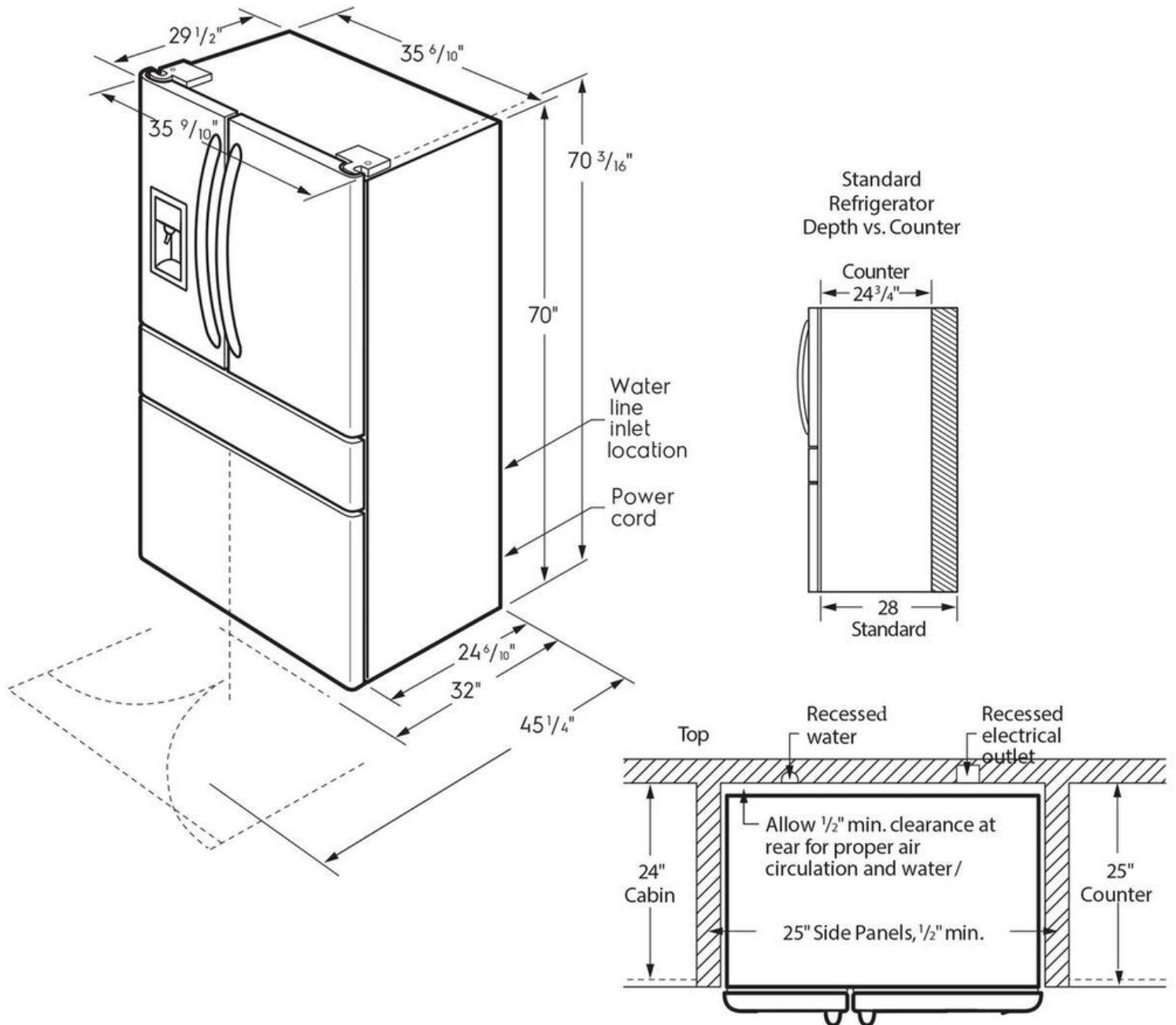
### General Specifications

Annual Energy	668 kWh
Condenser Type	Dynamic
Cooling System	Dual Evaporator
Leveling Legs	Yes
Prop 65 Label	Yes
Refrigerant Type	R-600A
Warranty - Labor	1 Year
Warranty - Parts	1 Year

### Safety Certifications and Approvals

CSA Listed	Yes
------------	-----

## Installation Diagram



# FRIGIDAIRE

## GALLERY



### 30" Front Control Electric Range with Total Convection

Electric Range

Available Products: GCFE3060BD, GCFE3060BF

Available Colors: Black Stainless Steel, Stainless Steel

Version: 06/23

## Product Specifications

### Cooktop

Bridge Element	Yes
Bridge Element Location	Left
Cooking Surface Type	Smooth
Element On Indicator Light	Yes
Hot-Surface Indicator Light	Yes

### Cooktop Performance

Right Front Element Burner Size	9"
Right Rear Element Burner Size	6"
Left Front Element Burner Size	7"
Left Rear Element Burner Size	7"
Right Front Element Burner	3200 Watts
Right Rear Element Burner	1200 Watts
Left Front Element Burner	1800 Watts
Left Rear Element Burner	1800 Watts
Center Rear Element Burner	100 Watts
Keep Warm Burner Location	Center Rear

### Cooking Controls Function

Change between Continuous Bake Setting or 12-Hour Energy Saving Feature	Yes
Delayed Bake	Yes
Program Fahrenheit or Celsius	Yes
Silent Control Panel	Yes

### Drawer

Drawer Handle Style	Integrated
Drawer Type	Storage

### Display

Control Location	Front
Display Interface Color	White
Display Type	Capacitive Touch

### Dimensions and Volume

Minimum Height	35 3/8"
Maximum Height	36 3/8"
Width	30"
Depth	26"
Depth With Door 90° Open	47 5/16"
Depth With Handle	28 1/2"
Oven Interior Height	21 1/4"
Oven Interior Width	25 3/16"
Oven Interior Depth	19 7/8"
Oven Capacity	6.2 Cu. Ft.

### Installation

Adjustable Leveling Legs	Yes
--------------------------	-----

For planning purposes only. We reserve the right to change specifications or discontinue models without notice. Refer to Product Installation Guide for detailed installation instructions on the web at [frigidaire.com / frigidaire.ca](http://frigidaire.com/frigidaire.ca) Electrolux Major Appliances, N.A.

USA • 10200 David Taylor Drive • Charlotte, NC 28262 • Charlotte, NC 28262 • 1-877-4electrolux (1-877-435-3287) • [frigidaire.com](http://frigidaire.com)  
CANADA • 5855 Terry Fox Way • Mississauga, ON L5V 3E4 • 1-800-265-8352 • [frigidaire.ca](http://frigidaire.ca)

**Cooking Controls**

Air Fry	Yes
Air Sous Vide	Yes
Bake	Yes
Bake Time	Yes
Bread Proof	Yes
Broil	Yes
Clock	Yes
Convection Bake	Yes
Convection Convert	Yes
Convection Roast	Yes
Cook Time	Yes
Cooktop Lockout	Yes
Dehydrate	Yes
Delay Clean	Yes
Delay Start	Yes
Door Lock	Yes
Hot Surface	Yes
Keep Warm	Yes
Kitchen Timer	Yes
Light	Yes
Lockout	Yes
Multi-Stage Cooking	Yes
My Favorite	Yes
No Preheat	Yes
Off	Yes
On / Off (for each element)	Yes
Oven Indicator Light	Yes
Oven Light	Yes
Oven Lock	Yes
Perfect Turkey	Yes
Preheat	Yes
Probe	Yes
Self Clean	Yes
Set Clock	Yes
Slow Cook	Yes
Start	Yes
Start Time	Yes
Steam Bake	Yes
Steam Clean	Yes
Steam Roast	Yes
Temperature Display	Yes
Timer On / Off	Yes
User Preferences	Yes

**Oven**

Bake Element	2500 Watts
Bake Element Pass	8
Bake Element Type	Hidden
Broil Element	4000 Watts
Broil Element Pass	6
Cleaning System	Yes
Convection	Yes
Convection Element	3800 Watts
Convection Type	Total
Number of Convection Fans	1
Number of Rack Positions	8
Oven Interior Color	Midnight Black
Oven Light Quantity	2
Oven Light Type	Halogen
Oven Light Watts	40 Watts
Rack Position Type	Embossed
Rack Type 1	Flat
Rack Type 1 Quantity	2

**Certifications and Approvals**

ADA Compliant	Yes
Star-K Certification	Yes

**Controls**

Control Lock	Yes
Sabbath Mode	Yes

**Exterior**

Backlit Knobs	Yes
---------------	-----

**Electrical Specifications**

Connected Load @ 240V	13 kW
Minimum Circuit Required	40 Amps
Voltage Rating	240 V

**General Specifications**

Frigidaire Fit Promise	Yes
Prop 65 Label	Yes
Warranty - Labor	1 Year
Warranty - Parts	1 Year

**Safety Certifications and Approvals**

UL Listed	Yes
RoHS	Yes

## Installation Diagram

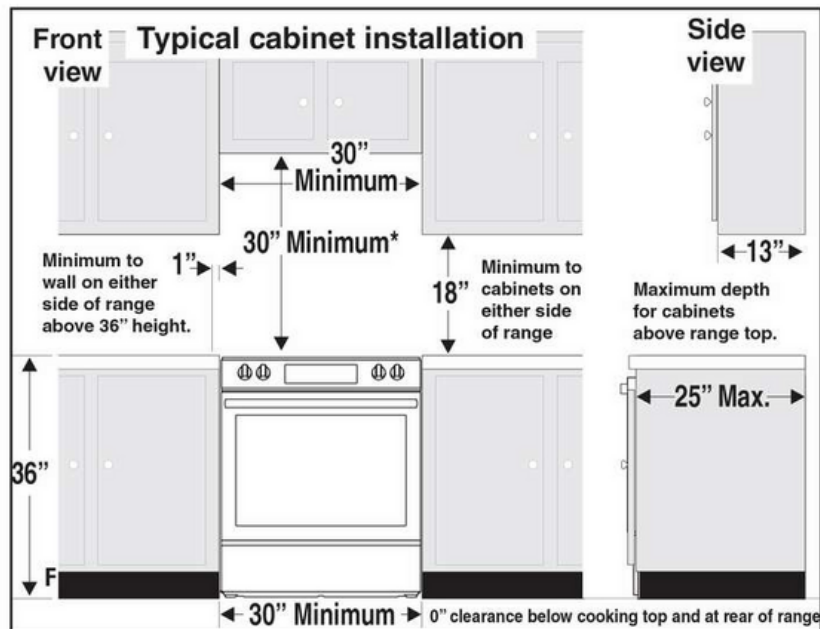


Fig. 1

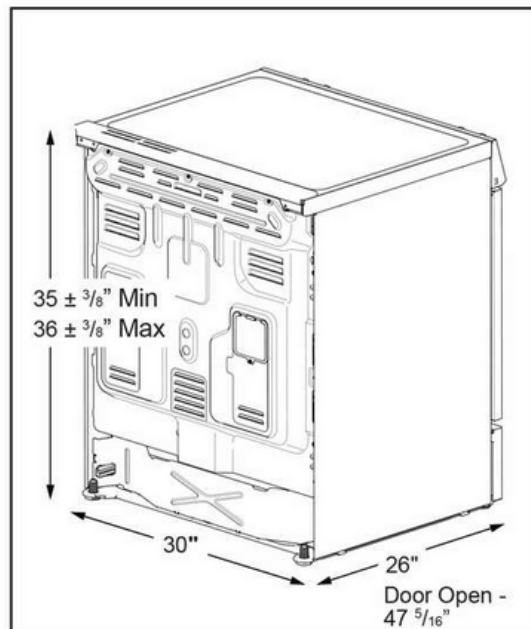


Fig. 2

\*30" (762 mm) MINIMUM CLEARANCE BETWEEN THE TOP OF THE COOKING SURFACE AND THE BOTTOM OF AN UNPROTECTED WOOD OR METAL CABINET; OR 24" (610 mm) MINIMUM WHEN BOTTOM OF WOOD OR METAL CABINET IS PROTECTED BY NOT LESS THAN 1/4" (6 mm) FLAME RETARDANT MILLBOARD COVERED WITH NOT LESS THAN NO. 28 MSG SHEET STEEL, 0.015" (0.4 mm) STAINLESS STEEL, 0.024" (0.6 mm) ALUMINUM OR 0.020" (0.5 mm) COPPER. 0" (0 mm) CLEARANCE IS THE MINIMUM FOR THE REAR OF THE RANGE. FOLLOW ALL DIMENSION REQUIREMENTS PROVIDED ABOVE TO PREVENT PROPERTY DAMAGE, POTENTIAL FIRE HAZARD, AND INCORRECT COUNTERTOP AND CABINET CUTS.

TO ELIMINATE THE RISK OF BURNS OR FIRE BY REACHING OVER HEATED SURFACE UNITS, CABINET STORAGE SPACE LOCATED ABOVE THE SURFACE UNITS SHOULD BE AVOIDED. IF CABINET STORAGE IS TO BE PROVIDED, THE RISK CAN BE REDUCED BY INSTALLING A RANGE HOOD THAT PROJECTS HORIZONTALLY A MINIMUM OF 5" (127 mm) BEYOND THE BOTTOM OF THE CABINETS.

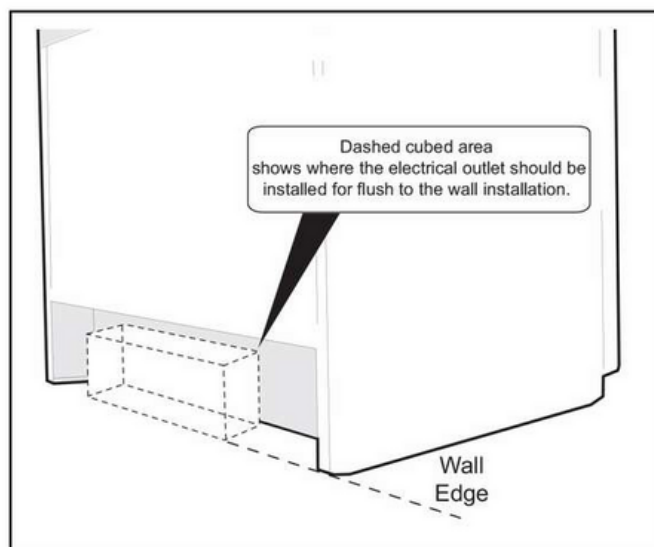


Fig. 3

# FRIGIDAIRE

## GALLERY



### 24" Built-In Dishwasher

Dishwasher

Available Products: GDPH4515AF, GDPH4515AD

Available Colors: Stainless Steel, Black Stainless Steel

Version: 08/22

## Product Specifications

### Dishwasher

Detergent Dispenser	Yes
Filter Material	Stainless Steel
Filter Trap	Removable
Filtered Water	100 %
Hard Food Disposer or Filtration	Yes
Interior Light	No
Place Setting Capacity	14
Rinse Aid Dispenser	Yes
Smart Soil Sensor	Yes
Spray Arm	Orbit
Status Indicator Floor Beam	Yes
Tub Color	Midnight Ink
Tub Design	Tall Tub
Tub Material	Plastic
Wash Levels	5
Wash System	Direct Feed
Water Pressure	120 psi
Motor Speeds	Single-Speed

### Dishwasher Options

Air Dry	Yes
Drying System	MaxBoost
Heated Dry	Yes
High Temperature	Yes
Start/Cancel	Yes

### Upper Rack

Cup Shelf	No
Fold-Down	No
Minimum Height Clearance	8"
Rack Type	Adjustable
Rack Handles	No
Rack Coating	Nylon
Stemware Holder	No
Rack Spacer	Yes

### Exterior

Door and Handle Design	Handle
Door Latch	Pull
Door Type	StayPut

### Dishwasher Cycles

Energy Saver	Yes
Heavy	Yes
Normal	Yes
Number of Cycles	5
Quick	Yes
Rinse Only	Yes

### Lower Rack

Fold-Down	No
Minimum Height Clearance	11"
Maximum Height Clearance	13"
Number of Silverware Basket	1
Number of Silverware Basket Lids	3
Rack Coating	Nylon
Rack Type	Standard

### Controls

Control Color	Stainless Steel
Control Location	Top
Digital Display	No
Control Lock	Yes
Rinse Aid Indicator	Yes
Delay Start Hours	2-6 Hours

### Dimensions and Volume

Width	24"
Depth	25"
Depth With Door Open	49 1/4"
Minimum Height	33 1/2"
Maximum Height	35"

### Installation

Connection Location	Right Bottom
Number of Leveling Legs	4
Water Inlet Location	Left Bottom Front

### Performance Certifications and Approvals

CEE Tier	Tier 1
ENERGY STAR Certified	Yes

For planning purposes only. We reserve the right to change specifications or discontinue models without notice. Refer to Product Installation Guide for detailed installation instructions on the web at [frigidaire.com / frigidaire.ca](http://frigidaire.com/frigidaire.ca) Electrolux Major Appliances, N.A.

USA • 10200 David Taylor Drive • Charlotte, NC 28262 • Charlotte, NC 28262 • 1-877-4electrolux (1-877-435-3287) • [frigidaire.com](http://frigidaire.com)  
CANADA • 5855 Terry Fox Way • Mississauga, ON L5V 3E4 • 1-800-265-8352 • [frigidaire.ca](http://frigidaire.ca)



**Electrical Specifications**

Amps @ 120 Volts	10 Amps
Connected Load @ 120V	1.2 kW
Voltage Rating	120 V

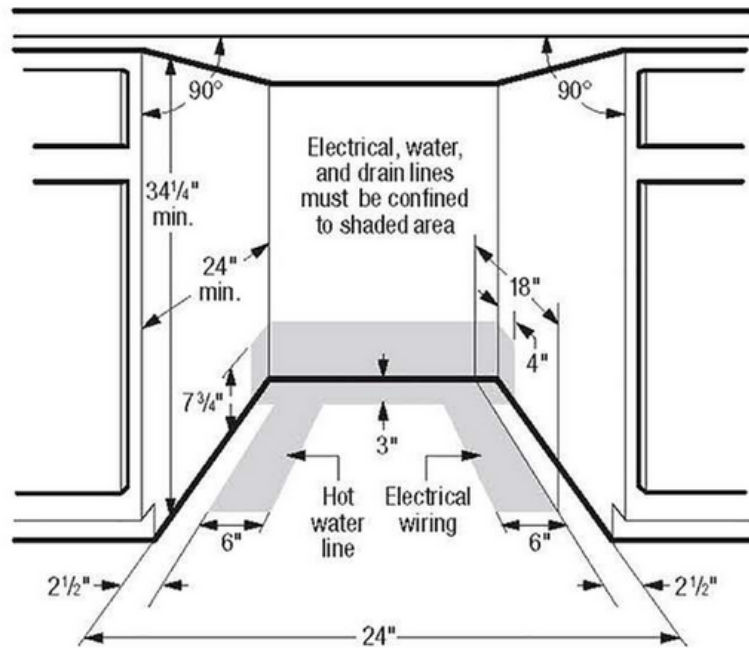
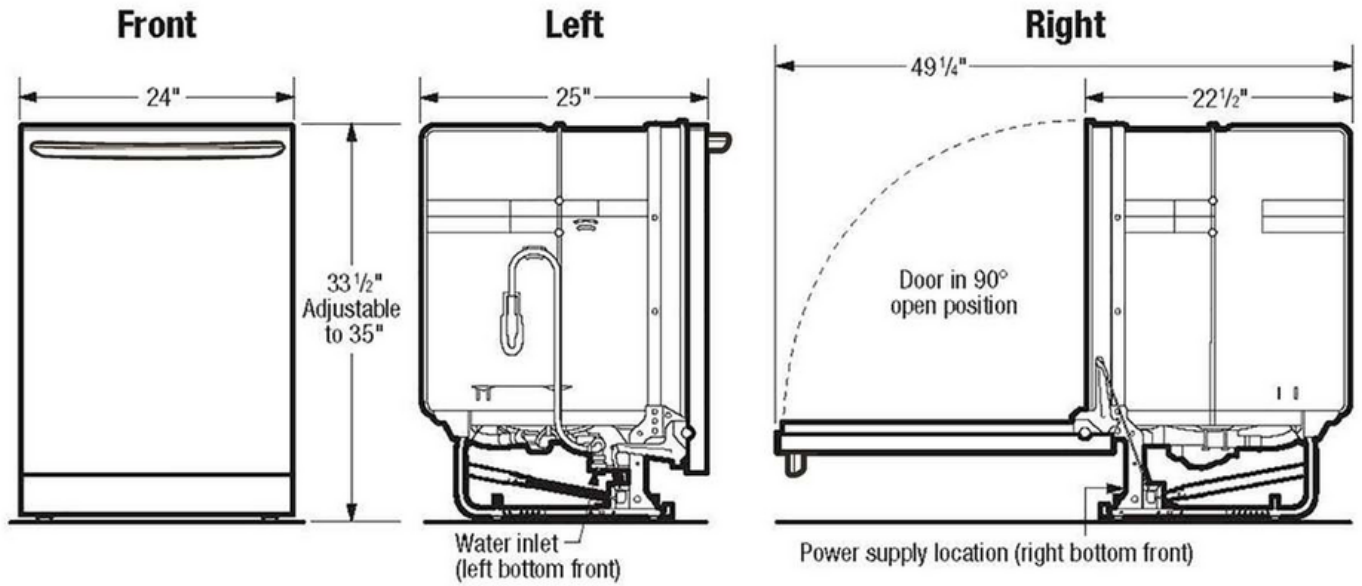
**General Specifications**

Annual Energy	268 kWh
Prop 65 Label	Yes
Sound Level	52 dBA
Warranty - Labor	1 Year
Warranty - Parts	1 Year

**Safety Certifications and Approvals**

UL Listed	Yes
cUL Listed	Yes
Meets ASSE 1006 Requirements	Yes
NSF Certified	Yes

# Installation Diagram



# Frigidaire Gallery



Install Trim Kit Required. Multiple sizes available.

## Built-In Microwave

### 2.2 Cu. Ft. Built-In Microwave

GMBS3068AF, GMBS3068AD

Available Colors : Stainless Steel, Black Stainless Steel

Version : 01/22

### Cooking Controls

Cooking Power	1100 Watts
Number of Power Levels	10

### Microwave Cooking

Auto Cook	Yes
Bacon	Yes
Beverage	Yes
Defrost	Yes
Melt / Soften	Yes
Popcorn	Yes
Potato	Yes
Reheat	Yes
Sensor Cooking	Yes
Sensor Reheat	Yes
Veggies	Yes

### Microwave Control Features

+ 10 Seconds	Yes - One Touch
+ 30 Seconds	Yes - One Touch
Quick Start	Yes

### Additional Settings

Child Lock	Yes
Demo On / Off	Yes
Language Options	English and French
Setting Turntable On / Off	No
Setting Weight Lb / Kg	Yes
Timer On / Off	Yes
Volume # of Settings	4 (Includes Off)

### Internal Specifications

Interior Color	White
Interior Light Quantity	1
Interior Light Type	LED
Interior Light Wattage	1.2 Watts

Turntable Diameter	16 1/2"
Turntable Material	Glass

### Dimensions and Volume

Height	13 5/8"
Width	24 7/16"
Depth	19 5/8"
Microwave Interior Height	11 1/4"
Microwave Interior Width	17 7/8"
Microwave Interior Depth	19 1/8"
Microwave Capacity	2.2 Cu. Ft.

### Electrical Specifications

Voltage Rating	120 V
Watts @ 120 Volts	1,100 Watts

### Installation

Power Supply Connection Location	Right Top
----------------------------------	-----------

### General Specifications

Prop 65 Label	Yes
Warranty - Labor	1 Year
Warranty - Parts	1 Year

### Safety Certifications and Approvals

UL Listed	Yes
cUL Listed	Yes

Note: For planning purposes only. Always consult local and national electric, gas and plumbing codes.

Refer to Product Installation Guide for detailed installation instructions on the web at [frigidaire.com](http://frigidaire.com) / [frigidaire.ca](http://frigidaire.ca)

Specifications subject to change. Accessories information available on the web at [frigidaire.com](http://frigidaire.com) / [frigidaire.ca](http://frigidaire.ca)

USA • 10200 David Taylor Drive • Charlotte, NC 28262 • 1-800-FRIGIDAIRE • [frigidaire.com](http://frigidaire.com)

CANADA • 5855 Terry Fox Way • Mississauga, ON L5V 3E4 • 1-800-265-8352 • [frigidaire.ca](http://frigidaire.ca)

# Frigidaire Gallery

2.2 Cu. Ft. Built-In Microwave

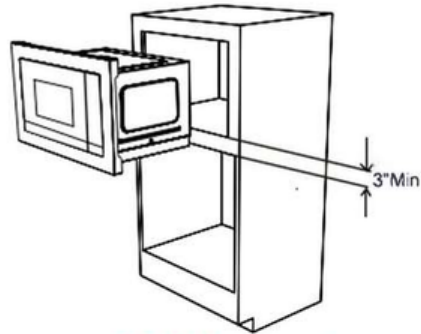
GMBS3068AF, GMBS3068AD

Version : 01/22

## CABINET OR WALL CUTOUT

### Cutout Dimensions

Height (A)		
Minimum	16" <sup>3</sup> / <sub>4</sub>	(42.5 cm)
Maximum	17"	(43.2 cm)
Width (B)		
Minimum	24" <sup>3</sup> / <sub>4</sub>	(62.9 cm)
Maximum	25"	(63.5 cm)
Depth (C)		
Minimum	20"	(50.8 cm)



30" TRIM KIT



30" STAINLESS TRIMKIT  
(GMTK3068AF)

27" TRIM KIT



27" STAINLESS TRIMKIT  
(GMTK2768AF)

\*MICROWAVE (GMBS3068AF) PICTURED ABOVE PAIRED WITH STAINLESS STEEL TRIM KIT (GMTK3068AF / GMTK2768AF)

**\* Trim Kit Sold Separately**

30" TRIM KIT



30" DARK STAINLESS TRIMKIT  
(GMTK3068AD)

27" TRIM KIT



27" DARK STAINLESS TRIMKIT  
(GMTK2768AD)

\*MICROWAVE (GMBS3068AD) PICTURED ABOVE PAIRED WITH BLACK STAINLESS STEEL TRIM KIT (GMTK3068AD / GMTK2768AD)

**\* Trim Kit Sold Separately**

Model Number	Color	Description
GMBS3068AF	SS	Microwave
GMBS3068AD	Black SS	Microwave
GMTK3068AF	SS	* 30" trim kit
GMTK2768AF	SS	* 27" trim kit
GMTK3068AD	Black SS	* 30" trim kit
GMTK2768AD	Black SS	* 27" trim kit

**\* Trim Kit Sold Separately**

	Trim Kit Overall Dimensions	
	27"	30"
Height	18" (460.8 mm)	18" (460.8 mm)
Width	27" (685.8 mm)	30" (759 mm)
Depth	1 3/5" (40.9 mm)	1 3/5" (40.9 mm)

Note: For planning purposes only. Always consult local and national electric, gas and plumbing codes.

Refer to Product Installation Guide for detailed installation instructions on the web at [frigidaire.com](http://frigidaire.com) / [frigidaire.ca](http://frigidaire.ca)

Specifications subject to change. Accessories information available on the web at [frigidaire.com](http://frigidaire.com) / [frigidaire.ca](http://frigidaire.ca)

USA • 10200 David Taylor Drive • Charlotte, NC 28262 • 1-800-FRIGIDAIRE • [frigidaire.com](http://frigidaire.com)

CANADA • 5855 Terry Fox Way • Mississauga, ON L5V 3E4 • 1-800-265-8352 • [frigidaire.ca](http://frigidaire.ca)