

# FRIGIDAIRE

## GALLERY



### 30" Freestanding Electric Range with Air Fry

Electric Range

Available Products: GCRE3060AD, GCRE3060AF

Available Colors: Black Stainless Steel, Stainless Steel

Version: 08/22

## Product Specifications

### Cooktop

Cooking Surface Type	Smooth
Element On Indicator Light	Yes
Hot-Surface Indicator Light	Yes
Keep Warm Zone Light	Yes

### Cooking Controls

Air Fry	Yes
Bake	Yes
Broil	Yes
Cancel	Yes
Convection Bake	Yes
Convection Convert	Yes
Convection Roast	Yes
Cooktop Lockout	Yes
Delay Clean	Yes
Door Lock	Yes
Keep Warm	Yes
Kitchen Timer	Yes
Lockout	Yes
Off	Yes
Oven Light	Yes
Preheat	Yes
Probe	Yes
Self Clean	Yes
Set Clock	Yes
Start	Yes
Steam Clean	Yes
Temperature Display	Yes

### Drawer

Drawer Handle Style	Integrated
Drawer Type	Storage

### Display

Display Interface Color	White
Display Type	Membrane
Control Location	Rear

### Electrical Specifications

Minimum Circuit Required	40 Amps
Voltage Rating	240 V

### Cooktop Performance

Right Rear Element Burner Size	6"
Left Rear Element Burner Size	6"
Right Rear Element Burner	1,200 Watts
Left Rear Element Burner	1,200 Watts
Keep Warm Burner Location	Center Rear
Left Front Element Burner (Large)	3,000 Watts
Left Front Element Burner (Small)	1,400 Watts
Left Front Element Burner Size (Large)	9"
Left Front Element Burner Size (Small)	6"
Right Front Element Burner (Large)	3,000 Watts
Right Front Element Burner (Medium)	2,000 Watts
Right Front Element Burner (Small)	1,200 Watts
Right Front Element Burner Size (Small)	6"
Right Front Element Burner Size (Medium)	9"
Right Front Element Burner Size (Large)	12"

### Oven

Bake System	Yes
Bake Element	3,500 Watts
Broil System	Yes
Broil Element	3,900 Watts
Convection Element	900 Watts
Rack Position Type	Nickel Ladder
Number of Rack Positions	7
Rack Type 1 Quantity	2
Rack Type 2 Quantity	1
Window Type	Extra Large Visual

### Controls

Control Lock	Yes
Sabbath Mode	Yes

### Dimensions and Volume

Height	48"
Width	30"
Depth	25 3/4"
Depth With Door 90° Open	49"
Depth With Handle	29 1/4"
Oven Interior Height	21"
Oven Interior Width	24 3/8"
Oven Interior Depth	19 1/8"
Oven Capacity	5.7 Cu. Ft.

For planning purposes only. We reserve the right to change specifications or discontinue models without notice. Refer to Product Installation Guide for detailed installation instructions on the web at [frigidaire.com/frigidaire.ca](http://frigidaire.com/frigidaire.ca) Electrolux Major Appliances, N.A.

USA • 10200 David Taylor Drive • Charlotte, NC 28262 • Charlotte, NC 28262 • 1-877-4electrolux (1-877-435-3287) • [frigidaire.com](http://frigidaire.com)  
CANADA • 5855 Terry Fox Way • Mississauga, ON L5V 3E4 • 1-800-265-8352 • [frigidaire.ca](http://frigidaire.ca)

30" Freestanding Electric Range with Air Fry

Electric Range

Available Products: GCRE3060AD, GCRE3060AF

Available Colors: Black Stainless Steel, Stainless Steel

Version: 08/22

### General Specifications

Prop 65 Label	Yes
Warranty - Labor	1 Year
Warranty - Parts	1 Year

### Installation

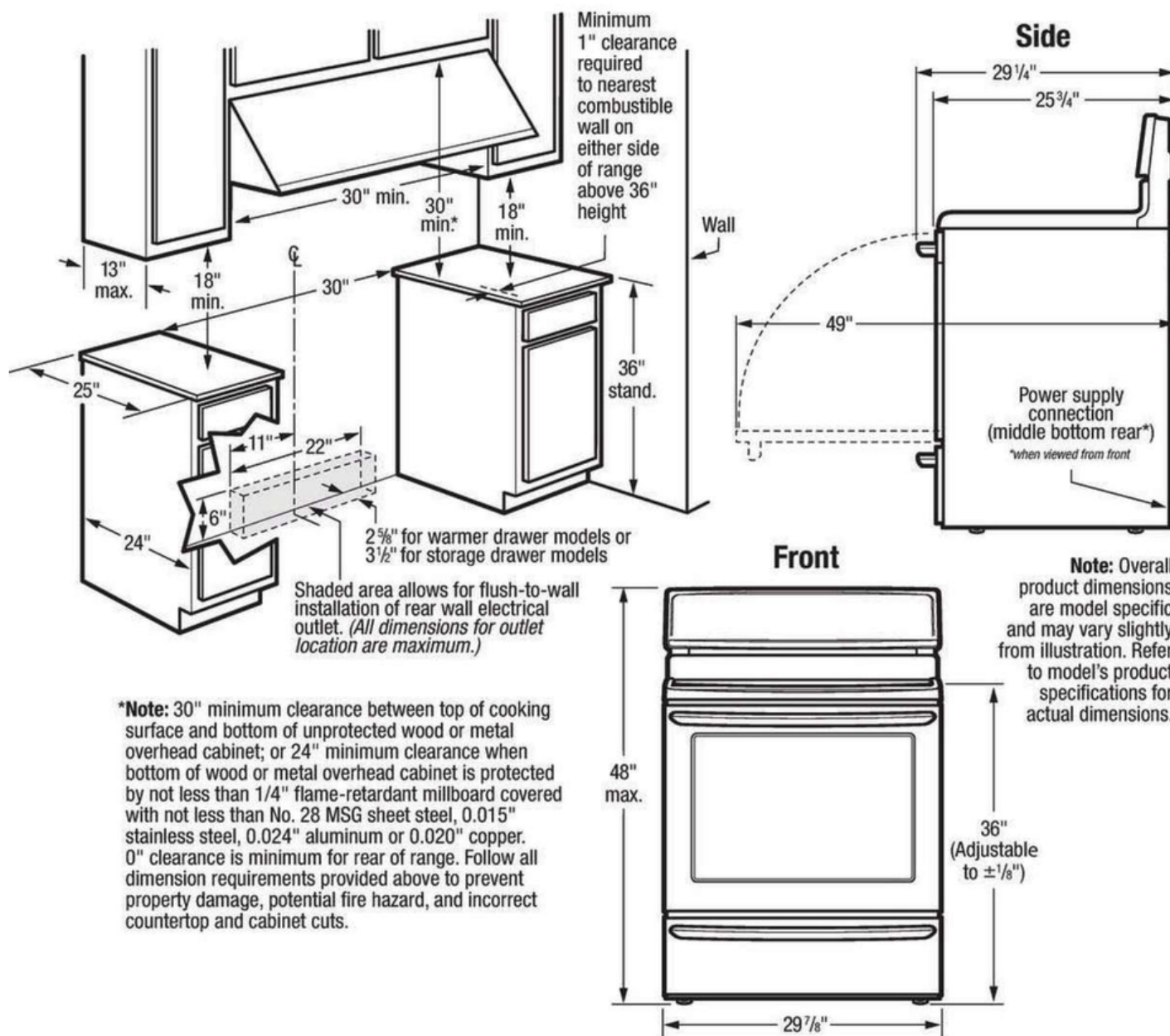
Power Cord Included	No
Adjustable Leveling Legs	Yes

### Safety Certifications and Approvals

CSA Listed	Yes
UL Listed	Yes
ETL Listed	No

## Installation Diagram

### Installation Drawing



**\*Note:** 30" minimum clearance between top of cooking surface and bottom of unprotected wood or metal overhead cabinet; or 24" minimum clearance when bottom of wood or metal overhead cabinet is protected by not less than 1/4" flame-retardant millboard covered with not less than No. 28 MSG sheet steel, 0.015" stainless steel, 0.024" aluminum or 0.020" copper. 0" clearance is minimum for rear of range. Follow all dimension requirements provided above to prevent property damage, potential fire hazard, and incorrect countertop and cabinet cuts.

**Note:** Overall product dimensions are model specific and may vary slightly from illustration. Refer to model's product specifications for actual dimensions.

# Frigidaire Gallery



Install Trim Kit Required. Multiple sizes available.

## Built-In Microwave

### 2.2 Cu. Ft. Built-In Microwave

GMBS3068AF, GMBS3068AD

Available Colors : Stainless Steel, Black Stainless Steel

Version : 01/22

### Cooking Controls

Cooking Power	1100 Watts
Number of Power Levels	10

### Microwave Cooking

Auto Cook	Yes
Bacon	Yes
Beverage	Yes
Defrost	Yes
Melt / Soften	Yes
Popcorn	Yes
Potato	Yes
Reheat	Yes
Sensor Cooking	Yes
Sensor Reheat	Yes
Veggies	Yes

### Microwave Control Features

+ 10 Seconds	Yes - One Touch
+ 30 Seconds	Yes - One Touch
Quick Start	Yes

### Additional Settings

Child Lock	Yes
Demo On / Off	Yes
Language Options	English and French
Setting Turntable On / Off	No
Setting Weight Lb / Kg	Yes
Timer On / Off	Yes
Volume # of Settings	4 (Includes Off)

### Internal Specifications

Interior Color	White
Interior Light Quantity	1
Interior Light Type	LED
Interior Light Wattage	1.2 Watts

Turntable Diameter	16 1/2"
Turntable Material	Glass

### Dimensions and Volume

Height	13 5/8"
Width	24 7/16"
Depth	19 5/8"
Microwave Interior Height	11 1/4"
Microwave Interior Width	17 7/8"
Microwave Interior Depth	19 1/8"
Microwave Capacity	2.2 Cu. Ft.

### Electrical Specifications

Voltage Rating	120 V
Watts @ 120 Volts	1,100 Watts

### Installation

Power Supply Connection Location	Right Top
----------------------------------	-----------

### General Specifications

Prop 65 Label	Yes
Warranty - Labor	1 Year
Warranty - Parts	1 Year

### Safety Certifications and Approvals

UL Listed	Yes
cUL Listed	Yes

Note: For planning purposes only. Always consult local and national electric, gas and plumbing codes.

Refer to Product Installation Guide for detailed installation instructions on the web at [frigidaire.com](http://frigidaire.com) / [frigidaire.ca](http://frigidaire.ca)

Specifications subject to change. Accessories information available on the web at [frigidaire.com](http://frigidaire.com) / [frigidaire.ca](http://frigidaire.ca)

USA • 10200 David Taylor Drive • Charlotte, NC 28262 • 1-800-FRIGIDAIRE • [frigidaire.com](http://frigidaire.com)

CANADA • 5855 Terry Fox Way • Mississauga, ON L5V 3E4 • 1-800-265-8352 • [frigidaire.ca](http://frigidaire.ca)

# Frigidaire Gallery

2.2 Cu. Ft. Built-In Microwave

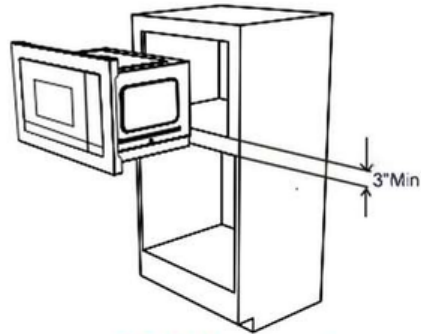
GMBS3068AF, GMBS3068AD

Version : 01/22

## CABINET OR WALL CUTOUT

### Cutout Dimensions

Height (A)	Minimum	16" <sup>3</sup> / <sub>4</sub> (42.5 cm)
	Maximum	17" (43.2 cm)
Width (B)	Minimum	24" <sup>3</sup> / <sub>4</sub> (62.9 cm)
	Maximum	25" (63.5 cm)
Depth (C)	Minimum	20" (50.8 cm)



30" TRIM KIT



30" STAINLESS TRIMKIT  
(GMTK3068AF)

27" TRIM KIT



27" STAINLESS TRIMKIT  
(GMTK2768AF)

\* MICROWAVE (GMBS3068AF) PICTURED ABOVE PAIRED WITH STAINLESS STEEL TRIM KIT (GMTK3068AF / GMTK2768AF)

**\* Trim Kit Sold Separately**

30" TRIM KIT



30" DARK STAINLESS TRIMKIT  
(GMTK3068AD)

27" TRIM KIT



27" DARK STAINLESS TRIMKIT  
(GMTK2768AD)

\* MICROWAVE (GMBS3068AD) PICTURED ABOVE PAIRED WITH BLACK STAINLESS STEEL TRIM KIT (GMTK3068AD / GMTK2768AD)

**\* Trim Kit Sold Separately**

Model Number	Color	Description
GMBS3068AF	SS	Microwave
GMBS3068AD	Black SS	Microwave
GMTK3068AF	SS	* 30" trim kit
GMTK2768AF	SS	* 27" trim kit
GMTK3068AD	Black SS	* 30" trim kit
GMTK2768AD	Black SS	* 27" trim kit

**\* Trim Kit Sold Separately**

	Trim Kit Overall Dimensions	
	27"	30"
Height	18" (460.8 mm)	18" (460.8 mm)
Width	27" (685.8 mm)	30" (759 mm)
Depth	1 3/5" (40.9 mm)	1 3/5" (40.9 mm)

Note: For planning purposes only. Always consult local and national electric, gas and plumbing codes.

Refer to Product Installation Guide for detailed installation instructions on the web at [frigidaire.com](http://frigidaire.com) / [frigidaire.ca](http://frigidaire.ca)

Specifications subject to change. Accessories information available on the web at [frigidaire.com](http://frigidaire.com) / [frigidaire.ca](http://frigidaire.ca)

USA • 10200 David Taylor Drive • Charlotte, NC 28262 • 1-800-FRIGIDAIRE • [frigidaire.com](http://frigidaire.com)

CANADA • 5855 Terry Fox Way • Mississauga, ON L5V 3E4 • 1-800-265-8352 • [frigidaire.ca](http://frigidaire.ca)