

# FRIGIDAIRE

## GALLERY



### 24" Single Electric Wall Oven

Single Wall Oven

Available Products: GCWS2438AB, GCWS2438AF, GCWS2438AW

Available Colors: Black, Stainless Steel, White

Version: 08/22

## Product Specifications

### Cooking Controls

Air Fry	Yes
Bake	Yes
Bread Proof	Yes
Broil	Yes
Cancel	Yes
Clock	Yes
Convection Bake	Yes
Convection Roast	Yes
Cook Time	Yes
Delay Start	Yes
Keep Warm	Yes
Kitchen Timer	Yes
My Favorite	Yes
Off	Yes
Oven Light	Yes
Preheat	Yes
Quick Preheat	Yes
Self Clean	Yes
Start	Yes
Start Time	Yes
Steam Bake	Yes
Steam Clean	Yes
Steam Roast	Yes
Stop	Yes
User Preferences	Yes

### Drawer

Drawer Type	Storage
-------------	---------

### Display

Display Type	Capacitive Touch
Control Location	Front

### Electrical Specifications

Voltage Rating	240 V
----------------	-------

### Certifications and Approvals

ADA Compliant	Yes
Star-K Certification	Yes

### Oven

Bake Element Type	Hidden
Bake Element	1,000 Watts
Broil Element	3,000 Watts
Convection	Yes
Convection Type	True
Convection Element	2,200 Watts
Rack Position Type	Embossed
Number of Rack Positions	5
Rack Type 1	Flat
Rack Type 1 Quantity	2
Oven Interior Color	Midnight Black
Window Type	Large
Oven Light Type	Halogen
Oven Light Quantity	1
Oven Light Watts	40 Watts
Number of Convection Fans	1

### Controls

Control Lock	Yes
Sabbath Mode	Yes

### Dimensions and Volume

Height	28 5/8"
Width	23 1/2"
Depth	22 3/4"
Depth With Door 90° Open	43 3/4"
Depth With Handle	25 3/16"
Oven Interior Height	15 1/2"
Oven Interior Width	18 11/16"
Oven Interior Depth	17 3/8"
Maximum Cutout Height	28 7/8"
Maximum Cutout Width	22 1/2"
Minimum Cutout Height	28 1/4"
Minimum Cutout Width	22"
Oven Capacity	2.8 Cu. Ft.
Minimum Cutout Depth	23 1/2"

### General Specifications

Prop 65 Label	Yes
Warranty - Labor	1 Year
Warranty - Parts	1 Year

For planning purposes only. We reserve the right to change specifications or discontinue models without notice. Refer to Product Installation Guide for detailed installation instructions on the web at [frigidaire.com / frigidaire.ca](http://frigidaire.com/frigidaire.ca)  
Electrolux Major Appliances, N.A.

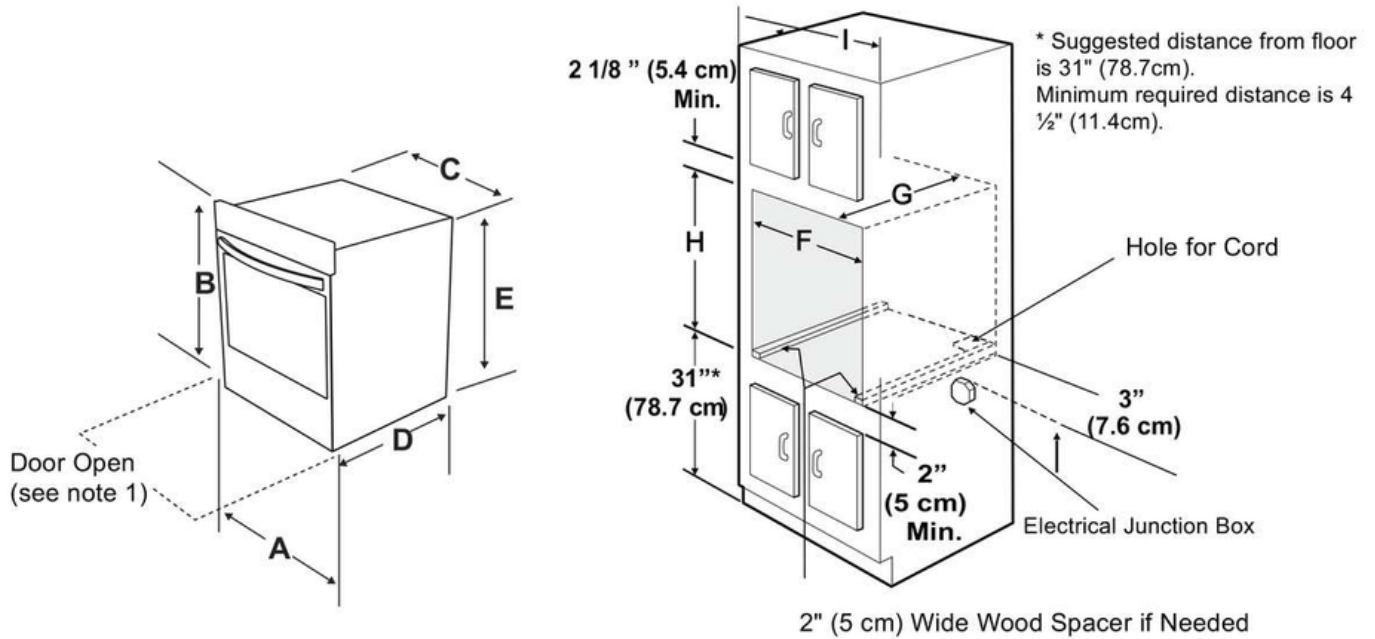
USA • 10200 David Taylor Drive • Charlotte, NC 28262 • Charlotte, NC 28262 • 1-877-4electrolux (1-877-435-3287) • [frigidaire.com](http://frigidaire.com)  
CANADA • 5855 Terry Fox Way • Mississauga, ON L5V 3E4 • 1-800-265-8352 • [frigidaire.ca](http://frigidaire.ca)

**Safety Certifications and Approvals**

UL Listed	Yes
RoHS	Yes

**Installation Diagram**

**WALL OVEN INSTALLATION**



**NOTES:**

1. Allow at least 21" (53.3 cm) clearance in front of oven for door depth when it is open.
2. Dimension G (cutout depth) is critical to the proper installation of the built-in oven. If the oven trim does not butt against the cabinet, or if noise is heard on convection models, verify dimension G to assure it is the required depth.
3. For a cutout height greater than the minimum (H), add one 2" (5 mm) wide wood shim of appropriate height to each side of the opening under the appliance side rails.
4. If the cabinet cutout is more than the minimum dimension, the oven trim must be installed.

Figure 1  
24" Single Wall Ovens

PRODUCT DIMENSIONS					
A	B	C	D		E
23 1/2 (59.6 cm)	28 5/8 (72.7 cm)	21 7/8 (55.5 cm)	22 3/4 (57.9 cm)		28 1/4 (71.8 cm)
CUTOUT DIMENSIONS AND CABINET WIDTH					
F		G	H. Standard Height (**Others, see note 3)		I
Min.	Max.	Min.	Min.	Max.	
22 (55.8 cm)	22 1/2 (57.2 cm)	23 1/2 (59.7 cm)	28 1/4 (71.8 cm)	28 7/8 (73.3 cm)	24 (61 cm) Min