

1.9 Cu. Ft. Over-The-Range Microwave

Over-The-Range Microwave

Available Products: FGBM19WNVD, FGBM19WNVF

Available Colors: Black Stainless Steel, Stainless Steel

Version: 08/22



Product Specifications

Cooking Controls

Clock	Yes
Defrost Time	Yes
Defrost Weight	Yes
Number of Power Levels	9
Cooking Power	1000 Watts

Ventilation System

Exhaust Fan Speeds	2
Minimum Air Flow Capacity	105 CFM
Maximum Air Flow Capacity	400 CFM
Charcoal Filter Included	Yes
Removable Grease Filter	Yes

Internal Specifications

Interior Light Type	LED
Interior Light Wattage	1.2 Watts
Turntable Diameter	13 63/100"
Turntable Material	Glass

Dimensions and Volume

Height	16 3/8"
Width	29 7/8"
Depth	15 3/4"
Microwave Interior Height	10 9/16"
Microwave Interior Width	21 9/100"
Microwave Interior Depth	14 9/16"
Microwave Capacity	1.9 Cu. Ft.

Installation

Power Supply Connection Location	Right Top
----------------------------------	-----------

Certifications and Approvals

ADA Compliant	No
---------------	----

Microwave Cooking

Sensor Cooking	Yes
Beverage	Yes
Popcorn	Yes
Potato	Yes
Melt / Soften	Yes
Veggies	Yes

Microwave Control Features

+ 30 Seconds	Yes
--------------	-----

Surface Light System

Number of Lights	2
------------------	---

Electrical Specifications

Voltage Rating	120 V
----------------	-------

General Specifications

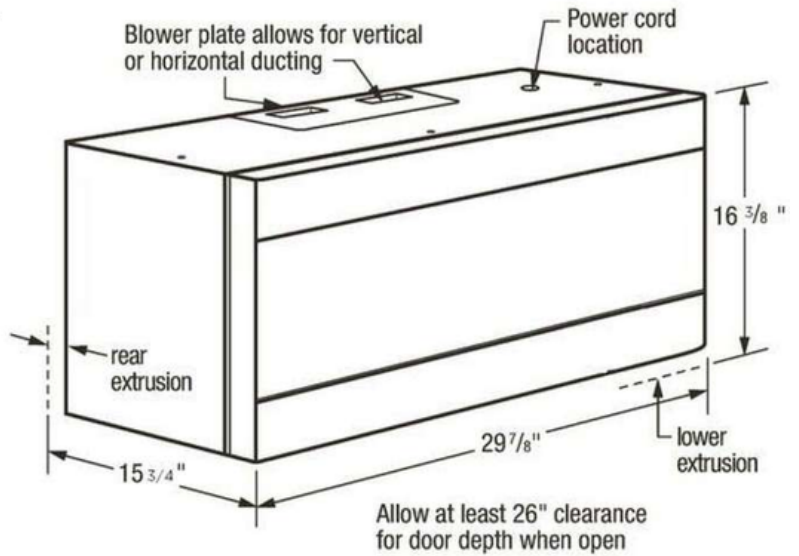
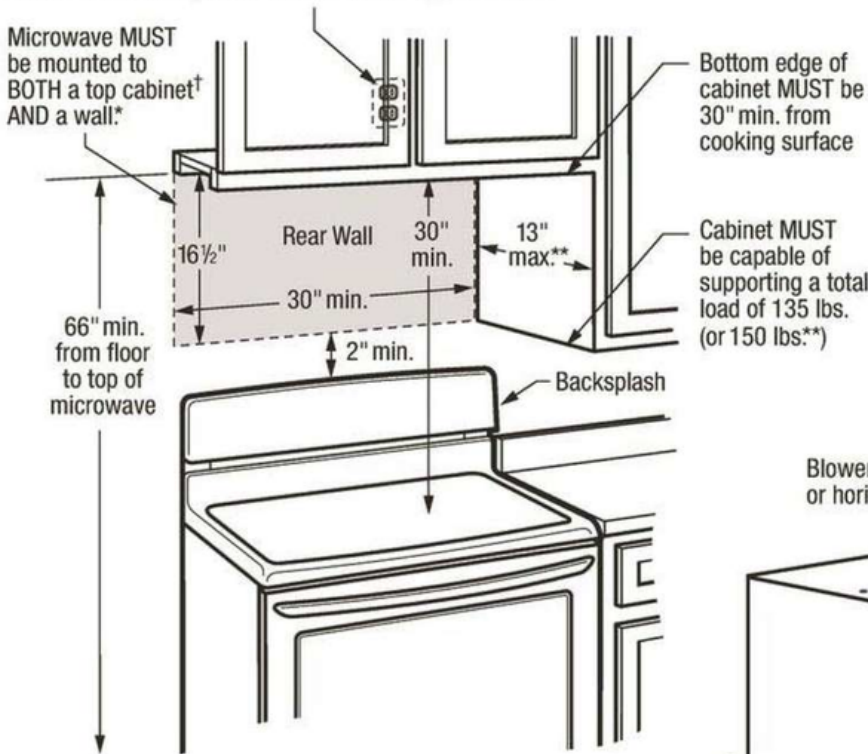
Prop 65 Label	Yes
Warranty - Labor	1 Year
Warranty - Parts	1 Year

Safety Certifications and Approvals

UL Listed	Yes
-----------	-----

Installation Diagram

Locate 120V/60Hz grounded outlet inside upper cabinet



†When installing beneath smooth, flat cabinets, refer to cabinet template for detailed power cord clearance instructions

*Can NOT be installed in island or peninsula cabinet arrangements

**If cabinet depth (including doors) is deeper than 13"; unit MUST be spaced out from rear wall using adequate materials (supporting 150 lbs.) to allow proper top vent air exhaust/intake