



36" Front Control Freestanding Gas Range

Gas Range

Available Products: PCFG3670AF

Available Colors: Stainless Steel

Version: 07/22

Product Specifications

Cooktop

| | |
|----------------------|------------|
| Cooking Surface Type | Gas |
| Grate Material | Cast Iron |
| Grate Quantity | 3 |
| Grate Style | Continuous |
| Sealed Burners | Yes |

Cooking Controls

| | |
|---------------------|-----|
| Bake | Yes |
| Bread Proof | Yes |
| Broil | Yes |
| Child Lock | Yes |
| Convection Bake | Yes |
| Convection Roast | Yes |
| Cook Time | Yes |
| Delay Start | Yes |
| Keep Warm | Yes |
| Kitchen Timer | Yes |
| Probe | Yes |
| Self Clean | No |
| Temperature Display | Yes |

Controls

| | |
|--------------|----|
| Sabbath Mode | No |
|--------------|----|

Exterior

| | |
|---------------|-----|
| Backlit Knobs | Yes |
|---------------|-----|

Electrical Specifications

| | |
|--------------------------|----------|
| Amps @ 120 Volts | 9.2 Amps |
| Connected Load @ 120V | 1.1 kW |
| Minimum Circuit Required | 15 Amps |

General Specifications

| | |
|------------------|--------|
| Warranty - Labor | 1 Year |
| Warranty - Parts | 1 Year |

Safety Certifications and Approvals

| | |
|------------|-----|
| CSA Listed | Yes |
| RoHS | Yes |

Cooktop Performance

| | |
|-----------------------------|-----------------------|
| Right Front Element Burner | 18,000 / 750 BTU Dual |
| Left Front Element Burner | 18,000 / 750 BTU Dual |
| Right Rear Element Burner | 12,000 / 750 BTU Dual |
| Left Rear Element Burner | 12,000 / 750 BTU Dual |
| Center Front Element Burner | 12,000 / 750 BTU Dual |
| Center Rear Element Burner | 12,000 / 750 BTU Dual |

Oven

| | |
|---------------------------|--------------------|
| Bake Element Type | Hidden |
| Bake Element | 17,000 BTU |
| Broil Element | 14,000 BTU |
| Convection | Yes |
| Convection Type | True |
| Convection Element | 1,000 Watts |
| Rack Position Type | Ladder |
| Number of Rack Positions | 5 |
| Rack Type 1 | Flat |
| Rack Type 1 Quantity | 2 |
| Rack Type 2 | Glide |
| Rack Type 2 Quantity | 1 |
| Oven Interior Color | Gray |
| Window Type | Extra Large Visual |
| Oven Light Type | Halogen |
| Oven Light Quantity | 2 |
| Oven Light Watts | 40 Watts |
| Number of Convection Fans | 1 |

Display

| | |
|---------------------|-------|
| Display Light Color | White |
| Display Type | LED |
| Control Location | Front |

Dimensions and Volume

| | |
|--------------------------|-------------|
| Width | 35 15/16" |
| Depth | 25 7/8" |
| Depth With Door 90° Open | 43 15/16" |
| Oven Interior Height | 15 1/16" |
| Oven Interior Width | 28 7/16" |
| Oven Interior Depth | 17 1/2" |
| Minimum Height | 35 9/16" |
| Maximum Height | 36 9/16" |
| Oven Capacity | 4.4 Cu. Ft. |

36" Front Control Freestanding Gas Range

Gas Range

Available Products: PCFG3670AF

Available Colors: Stainless Steel

Version: 07/22

Installation

| | |
|--------------------------|-----|
| Adjustable Leveling Legs | Yes |
|--------------------------|-----|

| | |
|----------------------------|-----|
| LP Conversion Kit Included | Yes |
|----------------------------|-----|

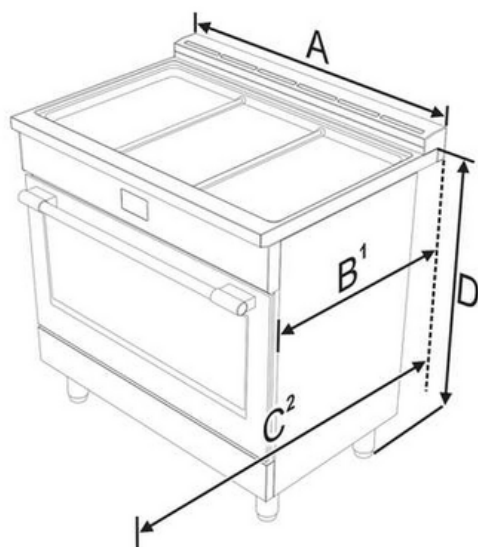
| | |
|--------|-----|
| Plinth | Yes |
|--------|-----|

Certifications and Approvals

| | |
|---------------|-----|
| ADA Compliant | Yes |
|---------------|-----|

Installation Diagram

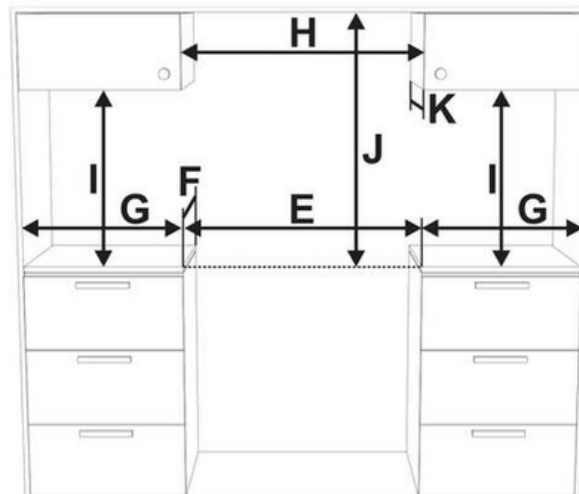
Product Dimensions



| | | |
|----------------------|----------------------------|--------------------------------|
| A | 912.4 mm | 35 15/16" |
| B¹ | min: 654 mm max: 658 mm | min: 25 3/4" max: 25 7/8" |
| C² | 1116 mm | 43 15/16" |
| D | min: 903 mm max: 929 mm | min: 35 9/16" max: 36 9/16" |

1. Measurement **B** varies according to the model: the minimum is obtained without the rear spacers (see "Island installation") and the maximum is obtained for traditional installation (slot-in installation - with the rear spacers).
2. Measurement **C** refers to the open door.

Cabinet clearances



| | | |
|----------|-----------------|----------|
| E | min. 914 mm | min. 36" |
| F | 628 mm | 24" 5/8 |
| G | min. 508 mm | min. 20" |
| H | min. 914 mm | min. 36" |
| I | min. 457 mm | min. 18" |
| J | see notes below | |
| K | max. 330 mm | max. 13" |

Clearance **J** can have the following values:

- **J = 42" / 1067 mm** minimum clearance between the top of the cooking surface and the bottom of an unprotected wood or metal cabinet.
- **J = 30" / 762 mm** minimum when the bottom of wood or metal cabinet is protected by not less than 1/4-inch-thick flame-retardant millboard covered with not less than No. 28 MSG sheet steel, 0.015-inch-thick stainless steel, 0.024-inch-thick aluminum, or 0.020-inch-thick copper. Clearances from non-combustible materials are not part of the ANSI Z21.1 scope and are not certified by CSA. Clearances of less than 30" should be approved by the local codes and/or by the local authority having jurisdiction.