

# FRIGIDAIRE

## GALLERY



### 27" Electric Wall Oven/Microwave Combination

Microwave Combination Wall Oven

Available Products: GCWM2767AD, GCWM2767AF

Available Colors: Black Stainless Steel, Stainless Steel

Version: 08/22

## Product Specifications

### Cooking Controls

|                     |     |
|---------------------|-----|
| Air Fry             | Yes |
| Air Sous Vide       | Yes |
| Bake                | Yes |
| Bake Time           | Yes |
| Bread Proof         | Yes |
| Broil               | Yes |
| Cancel              | Yes |
| Clear Off           | Yes |
| Clock               | Yes |
| Convection Bake     | Yes |
| Convection Roast    | Yes |
| Cook Time           | Yes |
| Defrost             | Yes |
| Dehydrate           | Yes |
| Delay Clean         | Yes |
| Delay Start         | Yes |
| Door Lock           | Yes |
| Fast Preheat        | No  |
| Keep Warm           | Yes |
| Kitchen Timer       | Yes |
| Light               | Yes |
| My Favorite         | Yes |
| Off                 | Yes |
| Oven Light          | Yes |
| Perfect Turkey      | Yes |
| Preheat             | Yes |
| Probe               | Yes |
| Self Clean          | Yes |
| Set Clock           | Yes |
| Slow Cook           | Yes |
| Start               | Yes |
| Start Time          | Yes |
| Steam Bake          | Yes |
| Steam Clean         | Yes |
| Steam Roast         | Yes |
| Stop                | Yes |
| Temperature Display | Yes |
| Timed Bake          | Yes |
| Timer On / Off      | Yes |
| User Preferences    | Yes |
| No Preheat          | Yes |

### Cooking Controls Function

|   |     |
|---|-----|
| Change between Continuous Bake Setting or 12-Hour Energy Saving Feature | Yes |
| Program Fahrenheit or Celsius   | Yes |
| Silent Control Panel  | Yes |

### Microwave Cooking

|                         |            |
|-------------------------|------------|
| Beverage                | Yes        |
| Popcorn                 | Yes        |
| Potato                  | Yes        |
| Melt / Soften           | Yes        |
| Veggies                 | Yes        |
| Rice                    | Yes        |
| Bacon                   | Yes        |
| Defrost                 | Yes        |
| Reheat                  | Yes        |
| Top Grill Mode          | Yes        |
| Microwave Cooking Power | 1000 Watts |

### Controls

|              |     |
|--------------|-----|
| Control Lock | Yes |
| Sabbath Mode | Yes |

### Display

|                         |                  |
|-------------------------|------------------|
| Display Interface Color | White            |
| Display Light Color     | White            |
| Display Type            | Capacitive Touch |
| Control Location        | Top              |

### Internal Specifications

|                         |                |
|-------------------------|----------------|
| Interior Color          | Midnight Black |
| Interior Light Quantity | 1              |
| Interior Light Type     | Halogen        |
| Interior Light Wattage  | 40 Watts       |
| Rack                    | Yes            |
| Turntable Diameter      | 14"            |
| Turntable Material      | Glass          |
| Ramp Up Lighting        | No             |

### Electrical Specifications

|                          |         |
|--------------------------|---------|
| Amps @ 240 Volts         | 40 Amps |
| Connected Load @ 240V    | 7.4 kW  |
| Minimum Circuit Required | 40 Amps |

For planning purposes only. We reserve the right to change specifications or discontinue models without notice. Refer to Product Installation Guide for detailed installation instructions on the web at [frigidaire.com / frigidaire.ca](http://frigidaire.com/frigidaire.ca) Electrolux Major Appliances, N.A.

USA • 10200 David Taylor Drive • Charlotte, NC 28262 • Charlotte, NC 28262 • 1-877-4electrolux (1-877-435-3287) • [frigidaire.com](http://frigidaire.com)  
CANADA • 5855 Terry Fox Way • Mississauga, ON L5V 3E4 • 1-800-265-8352 • [frigidaire.ca](http://frigidaire.ca)

**Oven**

|                           |                |
|---------------------------|----------------|
| Bake Element Type         | Hidden         |
| Bake Element Pass         | 8              |
| Bake Element              | 2,500 Watts    |
| Broil Element Pass        | 6              |
| Broil Element             | 4,000 Watts    |
| Cleaning System           | Yes            |
| Convection                | Yes            |
| Convection Type           | Total          |
| Convection Element        | 2,500 Watts    |
| Rack Position Type        | Embossed       |
| Number of Rack Positions  | 5              |
| Rack Type 1               | Handle         |
| Rack Type 1 Quantity      | 2              |
| Rack Type 2               | Glide          |
| Rack Type 2 Quantity      | 1              |
| Oven Interior Color       | Midnight Black |
| Oven Light Type           | Halogen        |
| Oven Light Quantity       | 2              |
| Oven Light Watts          | 40 Watts       |
| Number of Convection Fans | 1              |

**Convection Cooking**

|                           |            |
|---------------------------|------------|
| Convection Cooking - Bake | Yes        |
| Convection Element        | 1650 Watts |

**Microwave Control Features**

|              |                 |
|--------------|-----------------|
| + 30 Seconds | Yes - One Touch |
|--------------|-----------------|

**Exterior**

|            |                |
|------------|----------------|
| Door Swing | Drop-Down Door |
|------------|----------------|

**Dimensions and Volume**

|                           |             |
|---------------------------|-------------|
| Height                    | 42 5/16"    |
| Width                     | 27"         |
| Depth                     | 24 5/8"     |
| Depth With Door 90° Open  | 45 3/4"     |
| Depth With Handle         | 27 7/16"    |
| Cutout Depth              | 24"         |
| Oven Interior Height      | 17"         |
| Oven Interior Width       | 20 1/2"     |
| Oven Interior Depth       | 18 3/4"     |
| Microwave Interior Height | 17"         |
| Microwave Interior Width  | 20 1/2"     |
| Microwave Interior Depth  | 18 3/4"     |
| Maximum Cutout Height     | 41 1/2"     |
| Maximum Cutout Width      | 25 1/2"     |
| Minimum Cutout Height     | 39 7/8"     |
| Minimum Cutout Width      | 24 7/8"     |
| Microwave Capacity        | 1.7 Cu. Ft. |
| Oven Capacity             | 3.8 Cu. Ft. |

**Installation**

|                                  |          |
|----------------------------------|----------|
| Power Supply Connection Location | Top Left |
|----------------------------------|----------|

**Certifications and Approvals**

|                      |     |
|----------------------|-----|
| Star-K Certification | Yes |
|----------------------|-----|

**General Specifications**

|                        |        |
|------------------------|--------|
| Prop 65 Label          | Yes    |
| Warranty - Labor       | 1 Year |
| Warranty - Parts       | 1 Year |
| Frigidaire Fit Promise | Yes    |

**Safety Certifications and Approvals**

|            |     |
|------------|-----|
| CSA Listed | Yes |
| UL Listed  | Yes |

27" Electric Wall Oven/Microwave Combination

Microwave Combination Wall Oven

Available Products: GCWM2767AD, GCWM2767AF

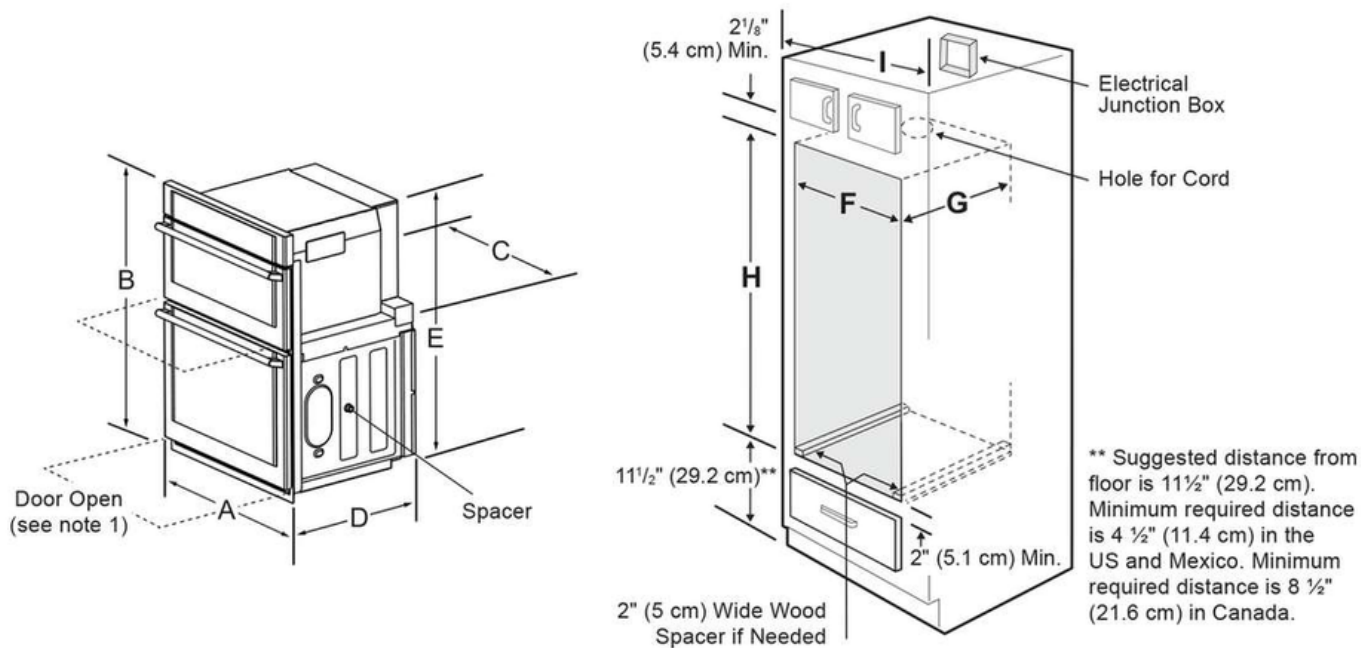
Available Colors: Black Stainless Steel, Stainless Steel

Version: 08/22

## Accessories

|                                   |  |
|-----------------------------------|--|
| Optional Trim Kit Part Number     | WO27TRM3SS<br>(Stainless) ,<br>WO27TRM3DS (Black<br>Stainless) |
| Included Steam Tray               | Yes  |
| Optional Air Fry Tray Part Number | AFT27FRIG  |

## Installation Diagram



**NOTES:**

1. Allow at least 21" (53.3cm) clearance in front of oven for door depth when it is open.
2. Dimension G (cutout depth) is critical to the proper installation of the built-in oven. If the oven decorative trim does not butt against the cabinet verify dimension G to assure it is the required depth.
3. For a cutout height greater than H maximum, add 2" (5 cm) wide wood shims of appropriate height to each side of the opening under the appliance side rails. You can order a larger bottom trim through a service center.
4. If the junction box is below the oven, longer conduit cables are available through a service center.

**Figure 1: Product and Cutout Dimensions**

| PRODUCT DIMENSIONS                    |   |                                       |  |  |   |
|---------------------------------------|---|---------------------------------------|--|--|---|
| A                                     | B                                       | C                                     | D  |  | E   |
| 27 (68.6)                             | 42 <sup>5</sup> / <sub>16</sub> (107.4) | 24 <sup>5</sup> / <sub>8</sub> (62.5) | 25 (63.5)                                    |  | 39 <sup>3</sup> / <sub>4</sub> (101.0)    |
| CUTOUT DIMENSIONS AND CABINET WIDTH   |   |                                       |  |  |   |
| F                                     |   | G                                     | H. Standard Height<br>(**Others, see note 3) |  | I   |
| Min.                                  | Max.                                    | Min.                                  | Min.   | Max.                                   |   |
| 24 <sup>7</sup> / <sub>8</sub> (63.2) | 25 <sup>1</sup> / <sub>2</sub> (64.1)   | 24 (61.0)                             | 39 <sup>7</sup> / <sub>8</sub> (101.3)       | 41 <sup>1</sup> / <sub>2</sub> (105.5) | 27 <sup>1</sup> / <sub>8</sub> (68.9) Min |