

# FRIGIDAIRE



## 30" Gas Range

### Gas Range

Available Products: FCRG3015AB, FCRG3015AW

Available Colors: Black, White

Version: 08/22

## Product Specifications

### Cooktop

Cooking Surface Type	Gas
Grate Material	Steel Wire
Grate Quantity	4
Grate Style	Individual

### Cooking Controls

Bake	Yes
Broil	Yes
Clear Off	No
Clock	Yes
Kitchen Timer	Yes
Oven Light	Yes
Preheat	Yes
Probe	No
Self Clean	No
Temperature Display	Yes
Timed Bake	No
Up / Down Arrow	Yes

### Drawer

Drawer Handle Style	Integrated
Drawer Type	Storage

### Display

Display Type	Membrane
Control Location	Rear

### Electrical Specifications

Minimum Circuit Required	12 Amps
Voltage Rating	120 V

### General Specifications

Prop 65 Label	Yes
Warranty - Labor	1 Year
Warranty - Parts	1 Year

### Safety Certifications and Approvals

CSA Listed	Yes
------------	-----

### Cooktop Performance

Right Front Element Burner	14,000 BTU
Right Rear Element Burner	5,000 BTU
Left Front Element Burner	9,500 BTU
Left Rear Element Burner	9,500 BTU

### Oven

Bake System	Yes
Bake Element	18,000 BTU
Broil System	Yes
Broil Element	1,400 Watts
Rack Position Type	Nickel Ladder
Number of Rack Positions	6
Rack Type 1	Flat
Rack Type 1 Quantity	2

### Controls

Control Lock	No
Sabbath Mode	No

### Dimensions and Volume

Height	46 9/16"
Width	29 7/8"
Depth	25 3/4"
Depth With Door 90° Open	49 9/16"
Oven Interior Height	18 5/8"
Oven Interior Width	24 3/8"
Oven Interior Depth	19 1/8"
Oven Capacity	5 Cu. Ft.

### Installation

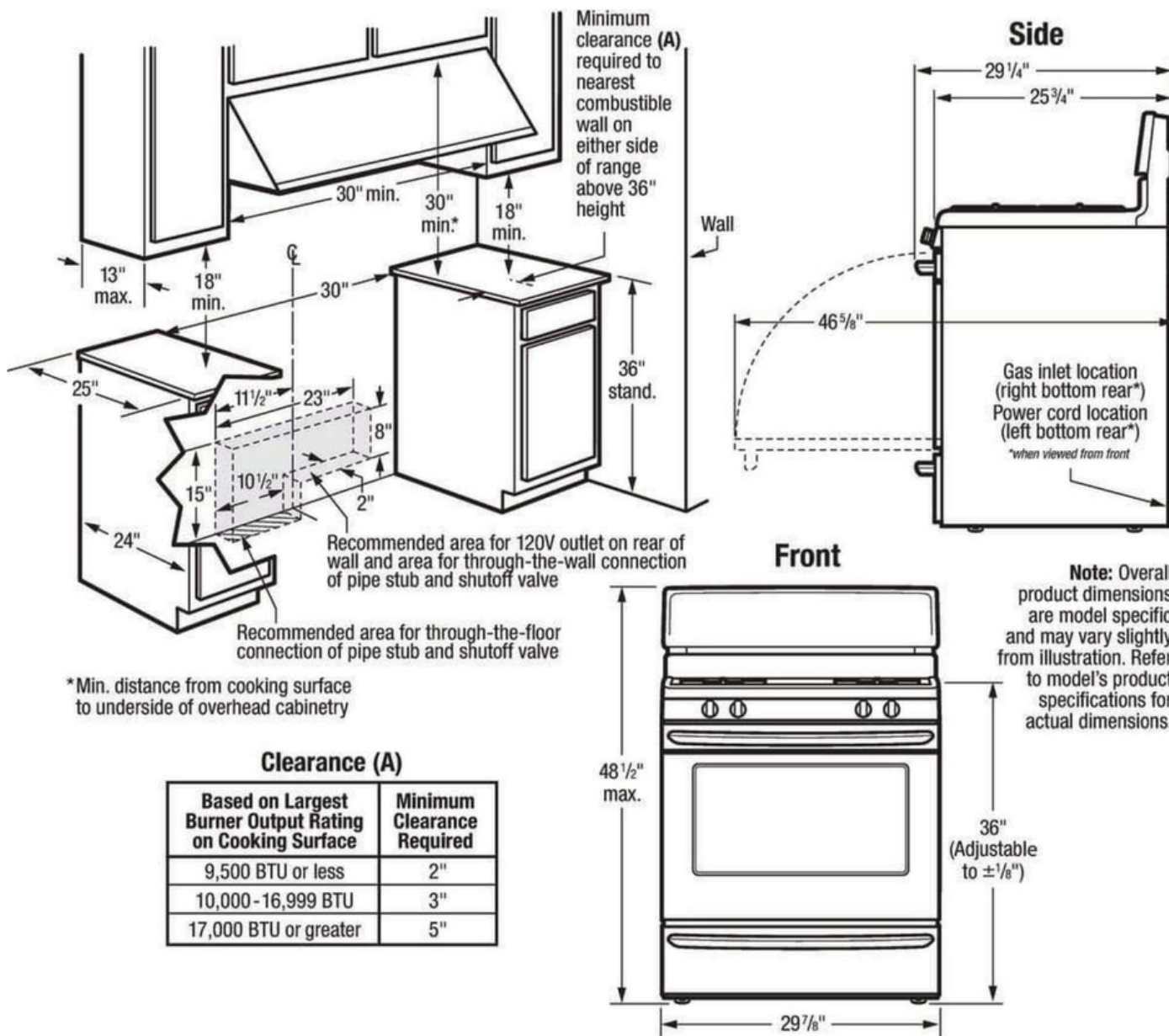
Adjustable Leveling Legs	Yes
Power Supply Connection Location	Bottom Center

### Certifications and Approvals

ADA Compliant	No
---------------	----

## Installation Diagram

### Installation Drawing



#### Clearance (A)

Based on Largest Burner Output Rating on Cooking Surface	Minimum Clearance Required
9,500 BTU or less	2"
10,000 - 16,999 BTU	3"
17,000 BTU or greater	5"