

ELECTRIC COOKTOP INSTALLATION INSTRUCTIONS

Canada



INSTALLATION AND SERVICE MUST BE PERFORMED BY A QUALIFIED INSTALLER.

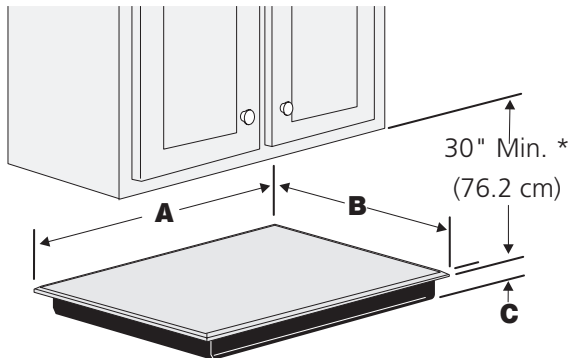
IMPORTANT: SAVE FOR LOCAL ELECTRICAL INSPECTOR'S USE. READ AND SAVE THESE INSTRUCTIONS FOR FUTURE REFERENCE.

⚠ WARNING FOR YOUR SAFETY: Do not store or use gasoline or other flammable vapors and liquids in the vicinity of this or any other appliance.

United States



Cooktop Dimensions



IMPORTANT INSTALLATION-INFORMATION

- All electric cooktops run off a single phase, three-wire or four-wire cable, 240/208 volt, 60 hertz, AC only electrical supply with ground.
- Please note minimum distances between cooktop and adjacent and overhead cabinetry is 30" (76.2cm).

Cooktop Cutout Dimensions

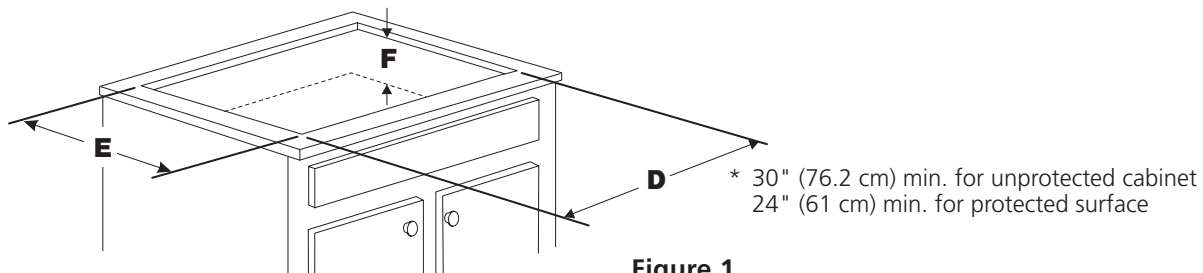


Figure 1

MODEL	A. LENGTH	B. WIDTH	C. DEPTH	CUTOUT DIMENSIONS				F. DEPTH BELOW COOKTOP*
				D. LENGTH		E. WIDTH		
				MIN.	MAX.	MIN.	MAX.	
30"	30 ⁵ / ₈ " (77.8 cm)	21 ³ / ₈ " (54.4 cm)	2 ⁵ / ₈ " (6.7 cm)	28 ¹ / ₂ " (72.4 cm)	29 ⁷ / ₈ " (75.9 cm)	19 ⁵ / ₈ " (49.9 cm)	20 ¹ / ₂ " (52.1 cm)	5" (12.7 cm)
36"	36 ³ / ₄ " (93.5 cm)	21 ³ / ₈ " (54.4 cm)	2 ⁵ / ₈ " (6.7 cm)	33 ⁷ / ₈ " (86.0 cm)	36 ¹ / ₈ " (91.8 cm)	19 ¹ / ₈ " (48.6 cm)	20 ¹ / ₂ " (52.1 cm)	5" (12.7 cm)

All dimensions are in inches (cm).

Only some models are available in Canada.

* Allow 2" (5 cm) space below cooktop to clear the electric cable and allow for installation of the junction box on the wall at the back of the cooktop.

P/N A01705002 (18/09) Rev. B

English – pages 1-8

Français – pages 9-16

ELECTRIC COOKTOP INSTALLATION INSTRUCTIONS

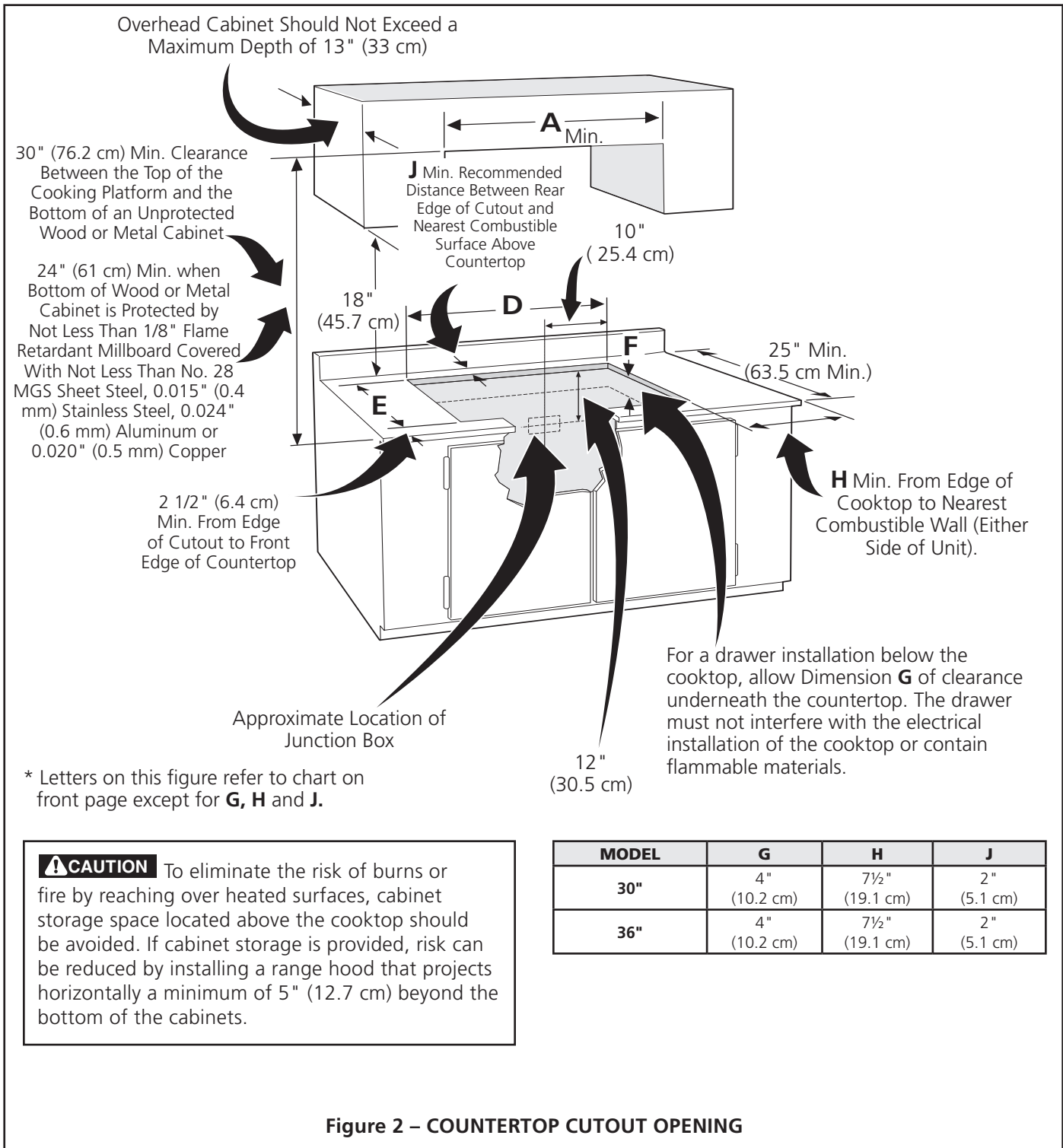


Figure 2 – COUNTERTOP CUTOUT OPENING

Important Notes to the Installer

1. Read all instructions contained in these installation instructions before installing the cooktop.
2. Remove all packing material before connecting the electrical supply to the cooktop.
3. Observe all governing codes and ordinances.
4. Be sure to leave these instructions with the consumer.

Important Note to the Consumer

Keep these instructions with your owner's guide for future reference.

ELECTRIC COOKTOP INSTALLATION INSTRUCTIONS

IMPORTANT SAFETY INSTRUCTIONS

- **Be sure your cooktop is installed and grounded properly by a qualified installer or service technician.**
- **These cooktops must be electrically grounded in accordance with local codes or, in their absence, with the National Electrical Code ANSI/NFPA No. 70—latest edition in the United States, or with CSA Standard C22.1, Canadian Electrical Code, Part 1, in Canada.**

⚠ WARNING The electrical power to the cooktop must be shut off while line connections are being made. Failure to do so could result in serious injury or death.

Provide Electrical Connection

Install the junction box under the cabinet and run 120/240 or 120/208 Volt, AC wire from the main circuit panel. DO NOT connect the wire to the circuit panel at this time.

Electrical Requirements

This appliance must be supplied with the proper voltage and frequency, and connected to an individual, properly grounded branch circuit, protected by a circuit breaker or fuse. A circuit breaker or fuse is required by your appliance. **The circuit breaker or fuse amperage recommended for your appliance is 40A or 50A.**

Observe all governing codes and local ordinances

1. A 3-wire or 4-wire single phase 120/240 or 120/208 Volt, 60 Hz AC only electrical supply is required on a separate circuit fused on both sides of the line (red and black wires). A time-delay fuse or circuit breaker is recommended. DO NOT fuse neutral (white wire). Only certain cooktop models may be installed over certain built-in electric oven models. Approved cooktops and built-in ovens are listed by the MFG ID number (see the insert sheet included in the literature package).

NOTE: Wire sizes and connections must conform with the fuse size and rating of the appliance in accordance with the American National Electrical Code ANSI/NFPA No. 70-latest edition, or with Canadian CSA Standard C22.1, Canadian Electrical Code, Part 1, and local codes and ordinances.

⚠ WARNING An extension cord should not be used with this appliance. Such use may result in a fire, electrical shock, or other personal injury.

2. The flexible armored cable extending from the appliance should be connected directly to the junction box. The junction box should be located as shown in Figure 1 or Figure 2 and with as much slack as possible remaining in the cable between the box and the appliance, so it can be moved if servicing is ever necessary.
3. A suitable strain relief must be provided to attach the flexible armored cable to the junction box.

Unpacking Instructions

(Models with Ceramic-Glass Smoothtop Only)

1. Leave corner supports on cooktop until completion of Electrical Connection.
2. Be sure the bottle of cleaner conditioner packed in the literature bag is left where the user can find it easily. It is important that the ceramic-glass smoothtop be pretreated before use.

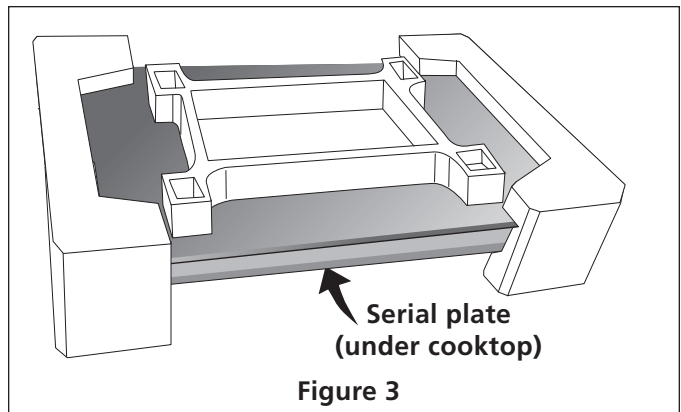


Figure 3

Electrical Connection

It is the responsibility and obligation of the consumer to contact a qualified installer to assure that the electrical installation is adequate and is in conformance with the National Electrical Code ANSI/NFPA No. 70-latest edition, or with CSA Standard C22.1, Canadian Electrical Code, Part 1, and local codes and ordinances.

⚠ WARNING Risk of electrical shock (Failure to heed this warning may result in electrocution or other serious injury.) This appliance is equipped with copper lead wire. If connection is made to aluminum house wiring, use only connectors that are approved for joining copper and aluminum wire in accordance with the National Electrical Code and local code and ordinances. When installing connectors having screws which bear directly on the steel and/or aluminum flexible conduit, do not tighten screws sufficiently to damage the flexible conduit. Do not over bend or excessively distort flexible conduit to avoid separation of convolutions en exposure of internal wires.

Electrical ground is required on this appliance.

ELECTRIC COOKTOP INSTALLATION INSTRUCTIONS

This appliance is manufactured with a frame connected green (or bare copper) ground wire.

⚠ WARNING DO NOT ground to a gas supply pipe. DO NOT connect to electrical power supply until appliance is permanently grounded. Connect the ground wire before turning on the power.

If your appliance is not equipped with a white neutral conductor:

Connect only to a 3-wire, 120/240V power supply; the neutral conductor is not required for the operation of the appliance. The potential at the power supply electrical connections shall be 150V to ground or less.

NOTE TO ELECTRICIAN: The armored cable leads supplied with the appliance are UL-recognized for connection to larger gauge household wiring. The insulation of the leads is rated at temperatures much higher than temperature rating of household wiring. The current carrying capacity of the conductor is governed by the temperature rating of the insulation around the wire, rather than the wire gauge alone.

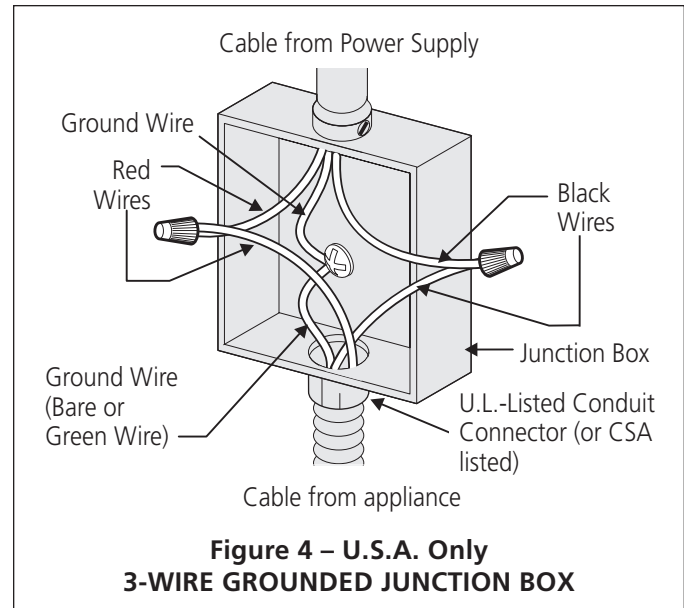
RISK OF ELECTRIC SHOCK: Grounding through the neutral conductor is prohibited for new branch-circuit installations (1996 NEC); mobile homes; recreational vehicles; or in Canada, or in an area where local codes prohibit grounding through the neutral connector.

⚠ WARNING (If your appliance is equipped with a white neutral conductor.) This appliance is manufactured with a white neutral power supply and a frame connected copper wire. The frame is grounded by connection of grounding lead to neutral lead at the termination of the conduit, if used in USA, in a new branch circuit installation (1996 NEC), mobile home, recreational vehicles, where local code do not permit grounding through the neutral (white) wire or in Canada, disconnect the white and green lead from each other and use ground lead to ground unit in accordance with local codes, connect neutral lead to branch circuit-neutral conductor in usual manner see Figure 6 or 7. If your appliance is to be connected to a 3 wire grounded junction box (US only), where local code permit connecting the appliance-grounding conductor to the neutral (white) see Figure 4 or 5.

Where local codes permit connecting the appliance-grounding conductor to the neutral (white) wire (USA only):

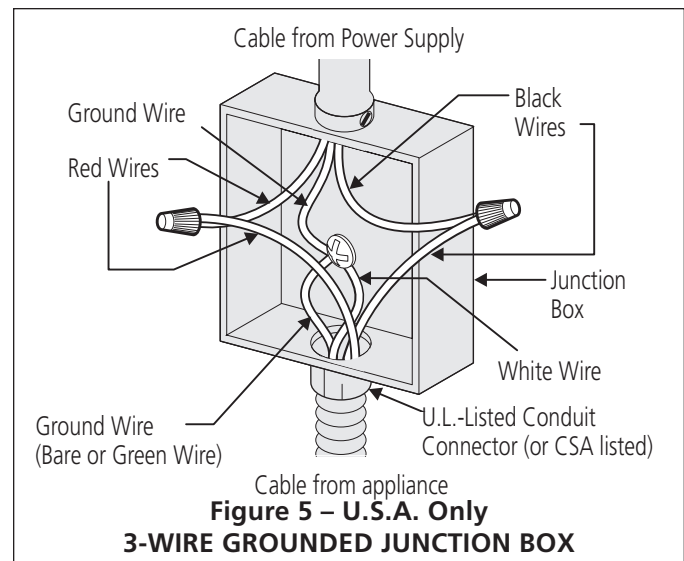
Your appliance has a 3-wire cable to be connected to a 3-wire grounded junction box (see figure 4):

1. Disconnect the power supply.
2. In the circuit breaker, fuse box or junction box: Connect appliance and power supply cable wires as shown in figure 4.



Your appliance has a 4-wire cable to be connected to a 3-wire grounded junction box (see figure 5):

1. Disconnect the power supply.
2. In the junction box: Connect appliance and power supply cable wires as shown in Figure 5.

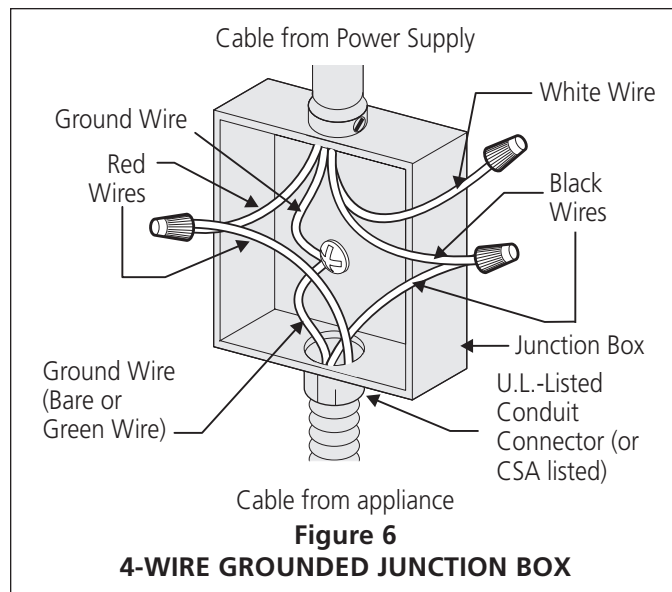


ELECTRIC COOKTOP INSTALLATION INSTRUCTIONS

If the appliance is used in a new branch circuit installation (1996 NEC), mobile home, recreational vehicle, or where local codes **DO NOT** permit grounding through the neutral (white) wire, the appliance frame **MUST NOT** be connected to the neutral wire of the 4-wire electrical system.

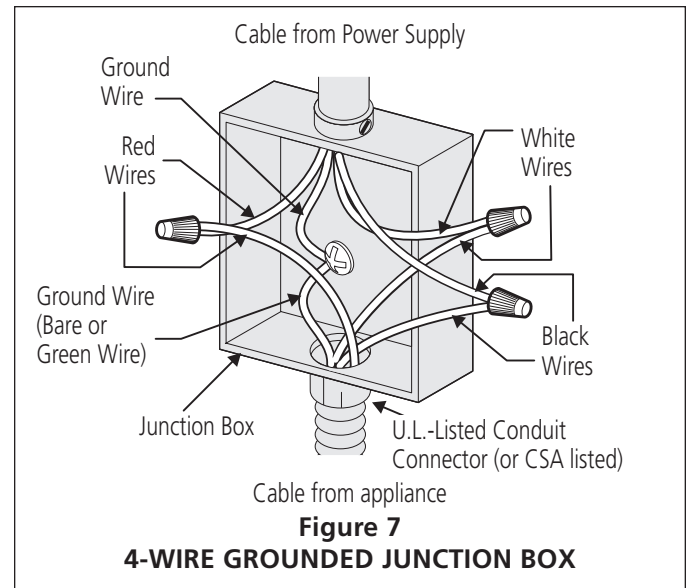
Your appliance has a 3-wire cable to be connected to a 4-wire grounded junction box (see figure 6):

1. Disconnect the power supply.
2. Separate the green (or bare copper) and white appliance cable wires.
3. Cap the white wire from the power supply cable if a 3-wire appliance cable is supplied.
4. In the circuit breaker, fuse box or junction box: Connect appliance and power supply cable wires as shown in figure 6.



Your appliance has a 4-wire cable to be connected to a 4-wire grounded junction box (see figure 7):

1. Disconnect the power supply.
2. In the junction box: Connect appliance and power supply cable wires as shown in Figure 7.

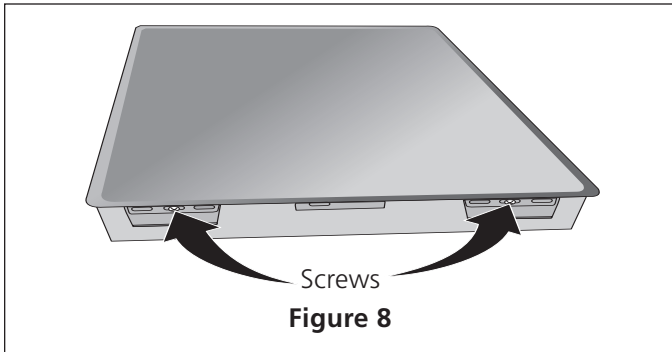


ELECTRIC COOKTOP INSTALLATION INSTRUCTIONS

Cooktop Installation

1. All Ceramic-Glass Cooktops

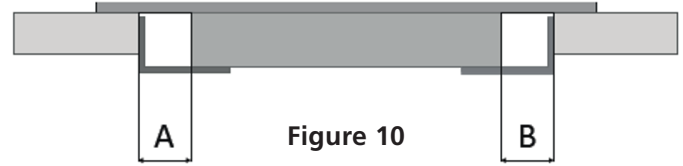
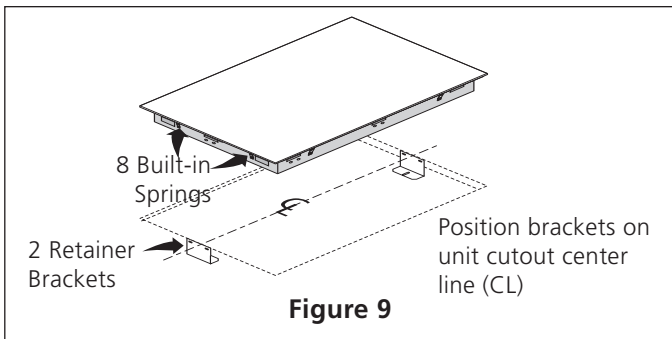
Visually inspect the cooktop for damage. Also make sure all cooktop screws are tight (see Figure 8).



Set the cooktop into the countertop cutout.

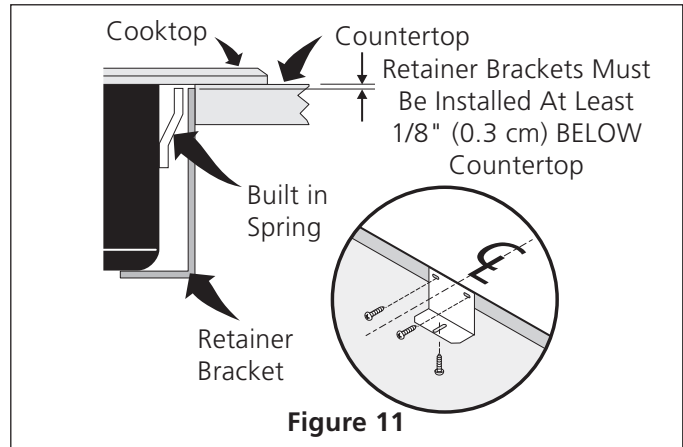
NOTE: Do not use caulking compound; cooktop should be removable for service when needed.

⚠ WARNING Do not remove the built in springs on the edges of the cooktop. These springs center the cooktop in the space provided. The cooktop must be centered to prevent excess heat buildup that may result in heat damage or fire (see Figure 9).



During the installation with wide cutout, make sure the cooktop is centered. A and B gap should have the same dimensions. The elongated holes on the bottoms of the installation brackets are made to fit every cutout.

The retainer brackets **MUST** be installed, to meet local codes or, in their absence, with the National Electrical Code ANSI/NFPA No. 70—latest edition, or with CSA Standard C22.1, Canadian Electrical Code, Part 1 (see Figure 11).



ELECTRIC COOKTOP INSTALLATION INSTRUCTIONS

Granite countertop installation

If installing this cooktop into a granite countertop, make sure to perform the following operations:

1. Use a Dow Corning heat proof silicone tube (glass top silicone grey, black or white). This part is available also as spare part, article number 73219-1780.
2. Tape the brackets (by the top of the bracket) exactly where they are supposed to be according to the installation instructions (use duct tape, or similar adhesive tape).
3. Lift the brackets and apply a generous amount of silicone on the lip portion of the countertop.
4. Apply enough silicone such that there will be excess silicone that will flow/push through all/each of the holes in the brackets.
5. Apply the brackets to the silicone on the countertop, as specified in the diagram.
6. Visually verify that the excess silicone has pushed through all/each of the holes in the bracket.
7. Do not remove the excess silicone that has flowed/pushed through the bracket holes. Once cured, this excess silicone will provide additional support for the brackets.
8. Allow to cure for the minimum time prescribed by the silicone glue manufacturer. You will find this information on the external surface of the silicone tube.
9. Remove all the duct tape from the installation.
10. Install the cooktop in place, as specified in the diagram, and secure with mounting screws.

Checking Operation

Refer to the [Owner's Guide](#) for operation.

CAUTION Do not touch cooktop glass or elements. They may be hot enough to burn.

Model and Serial Number Location

The serial plate is located under the cooktop or in the burner box and can be seen by lifting up the main top of unit.

When ordering parts for or making inquires about your cooktop, always be sure to include the model and serial numbers and a lot number or letter from the serial plate on your cooktop.

Before You Call for Service

Read the Avoid Service Checklist and operating instructions in your [Owner's Guide](#). It may save you time and expense. The list includes common occurrences that are not the result of defective workmanship or materials in this appliance.

Refer to the warranty in your [Owner's Guide](#) for our service phone number and address. Please call or write if you have inquiries about your product and/or need to order parts.

ELECTRIC COOKTOP INSTALLATION INSTRUCTIONS

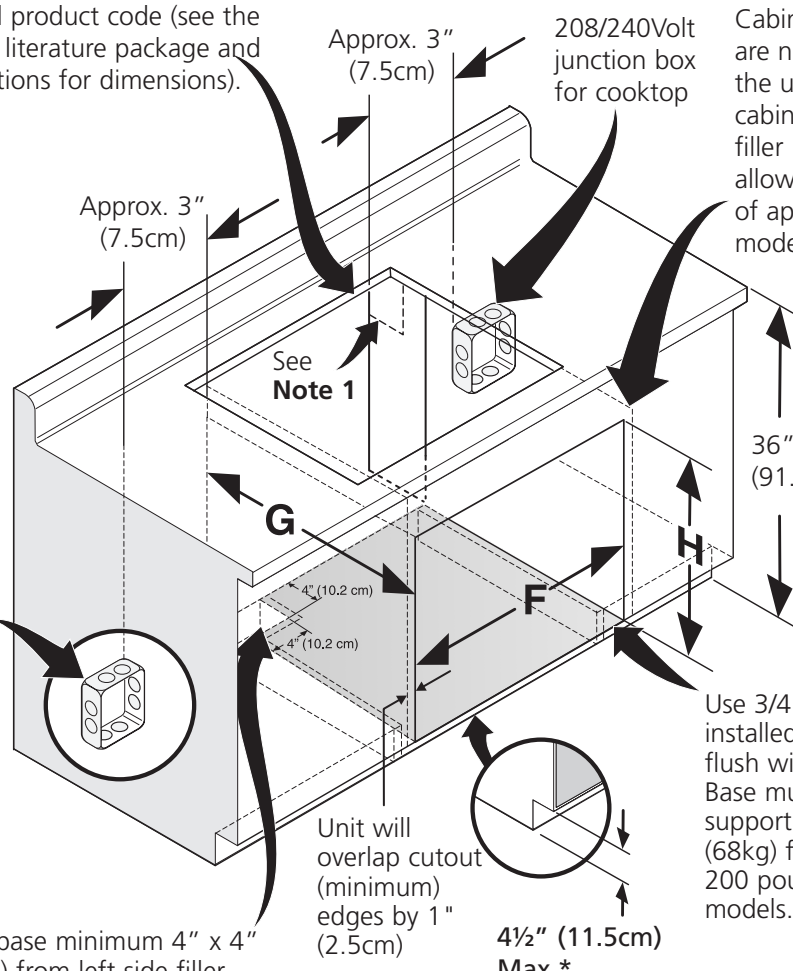
For typical under counter installation of an electric built-in oven see Figure below.

Only certain cooktop models may be installed over certain built-in electric oven models. Approved cooktops and built-in ovens are listed by the MFG ID number and product code (see the insert sheet included in the literature package and cooktop installation instructions for dimensions).

Note 1: 4" x 4" (10.2cm X 10.2cm) opening to route armored cable from cooktop to junction box.

Cabinet side filler panels are necessary to isolate the unit from adjoining cabinets. Cabinet side filler height should allow for installation of approved cooktop models

⚠ WARNING
To reduce the risk of personal injury and tipping of the wall oven, the wall oven must be secured to the cabinet(s) by mounting brackets.



Cut an opening in wood base minimum 4" x 4" (10.2 X 10.2cm), 2" (5cm) from left side filler panel, to route armored cable to junction box.

* If no cooktop is installed directly over the oven unit, 5" (12.7cm) maximum is allowed above the floor.

CUTOUT DIMENSIONS			
	F. WIDTH	G. DEPTH	H. HEIGHT
27" (68.6cm) Wall Oven	24 ⁷ / ₈ " (63.2cm) Min. 25 ¹ / ₄ " (64.1cm) Max.	23 ¹ / ₂ " (59.7cm) Min.	27 ¹ / ₄ " (69.2cm) Min. 28 ¹ / ₄ " (71.8cm) Max.
30" (76.2cm) Wall Oven	28 ¹ / ₂ " (72.4cm) Min. 29" (73.7cm) Max.	23 ¹ / ₂ " (59.7cm) Min.	27 ¹ / ₄ " (69.2cm) Min. 28 ¹ / ₄ " (71.8cm) Max.

TYPICAL UNDER COUNTER INSTALLATION OF A SINGLE ELECTRIC BUILT-IN OVEN WITH AN ELECTRIC COOKTOP MOUNTED ABOVE

INSTRUCTIONS D'INSTALLATION POUR PLAQUE DE CUISSON ÉLECTRIQUE

Canada



UN INSTALLATEUR QUALIFIÉ DOIT EFFECTUER L'INSTALLATION ET LE SERVICE.

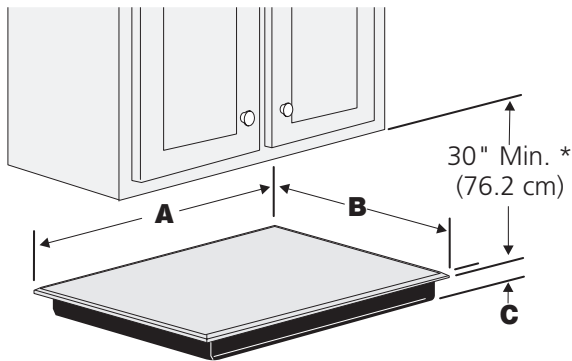
IMPORTANT: CONSERVEZ CES INSTRUCTIONS POUR LES INSPECTEURS LOCAUX. LISEZ CES INSTRUCTIONS ET CONSERVEZ-LES POUR RÉFÉRENCES ULTÉRIEURES.

⚠️ AVERTISSEMENT POUR VOTRE SÉCURITÉ: N'entreposez et n'utilisez pas d'essence ou d'autres produits inflammables à proximité de cet appareil ou de tout autre appareil.

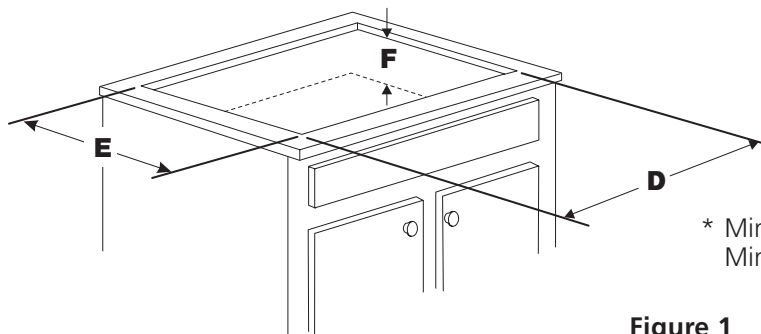
États-Unis



Dimensions de la plaque de cuisson



Dimensions de découpage pour la plaque de cuisson



INSTRUCTIONS DE SÉCURITÉ IMPORTANTES

- Toutes les plaques de cuisson électriques fonctionnent avec un câble à 3 ou 4 fils monophasé de 240/208 volts, 60 hertz CA mise à la terre seulement.
- Veuillez prendre note que la distance minimale entre la plaque de cuisson et les armoires adjacentes et en surplomb est de 30" (76.2 cm).

* Minimum de 30" (76.2 cm) pour armoire non protégée. Minimum de 24" (61 cm) pour surface protégée.

Figure 1

MODÈLE	A. LONGUEUR	B. LARGEUR	C. PROFONDEUR	DIMENSIONS DE DÉCOUPAGE				F. PROFONDEUR SOUS LA TABLE*
				D. LONGUEUR MIN.	D. LONGUEUR MAX.	E. LARGEUR MIN.	E. LARGEUR MAX.	
30"	30 ⁵ / ₈ " (77.8 cm)	21 ³ / ₈ " (54.4 cm)	2 ⁵ / ₈ " (6.7 cm)	28 ¹ / ₂ " (72.4 cm)	29 ⁷ / ₈ " (75.9 cm)	19 ⁵ / ₈ " (49.9 cm)	20 ¹ / ₂ " (52.1 cm)	5" (12.7 cm)
36"	36 ³ / ₄ " (93.5 cm)	21 ³ / ₈ " (54.4 cm)	2 ⁵ / ₈ " (6.7 cm)	33 ⁷ / ₈ " (86.0 cm)	36 ¹ / ₈ " (91.8 cm)	19 ¹ / ₈ " (48.6 cm)	20 ¹ / ₂ " (52.1 cm)	5" (12.7 cm)

Toutes les dimensions sont en pouces (cm).

Seulement certains modèles sont disponibles au Canada.

* Laissez un espace de 2" (5 cm) au-dessous de la plaque de cuisson pour dégager le câble et faciliter l'installation de la boîte de jonction sur le mur à l'arrière de la plaque de cuisson.

Imprimé en Chine

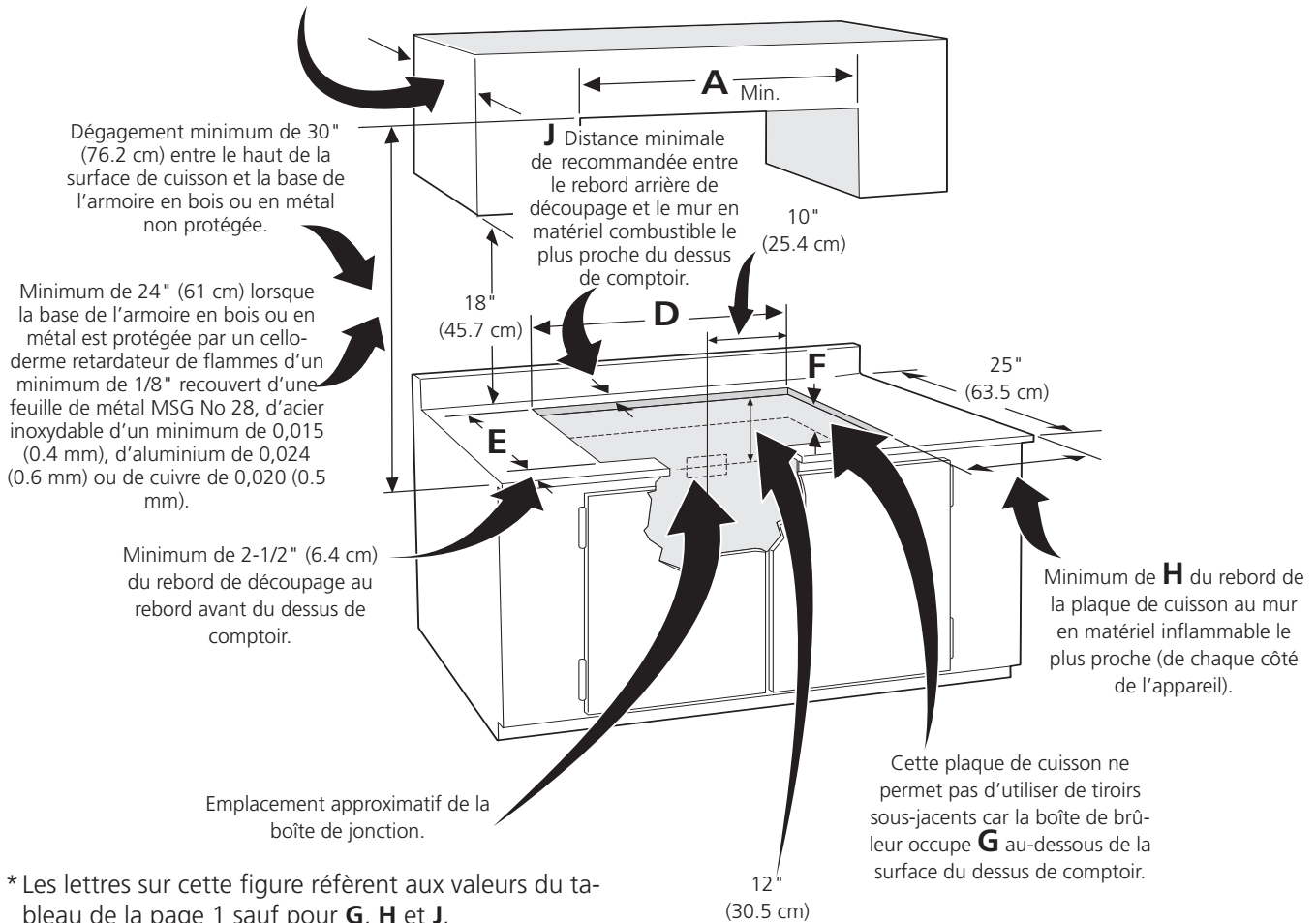
P/N A01705002 (18/09) Rev. B

English – pages 1-8

Français – pages 9-16

INSTRUCTIONS D'INSTALLATION POUR PLAQUE DE CUISSON ÉLECTRIQUE

L'armoire supérieure ne doit pas excéder une profondeur maximale de 13" (33 cm).



* Les lettres sur cette figure réfèrent aux valeurs du tableau de la page 1 sauf pour **G**, **H** et **J**.

AVERTISSEMENT Pour éliminer les risques de brûlures ou de feu en allongeant le bras au-dessus des surfaces de cuisson chaudes, évitez d'installer des armoires au-dessus de la plaque de cuisson. Si vous devez en installer, il est possible de réduire le risque en plaçant une hotte pour cuisinière qui excède horizontalement d'un minimum de 5" (12.7 cm) la base de l'armoire.

MODEL	G	H	J
30"	4" (10.2 cm)	7½" (19.1 cm)	2" (5.1 cm)
36"	4" (10.2 cm)	7½" (19.1 cm)	2" (5.1 cm)

Figure 2 – OUVERTURE DU DÉCOUPAGE DE DESSUS DU COMPTOIR

Installateur

1. Lisez toutes ces instructions avant de procéder à l'installation de la plaque de cuisson.
2. Enlevez tout le matériel d'emballage avant de procéder au raccordement électrique.
3. Observez tous les codes et règlements applicables.
4. Assurez-vous de laisser ces instructions au consommateur.

Consommateur

Conservez ces instructions avec votre Guide de l'utilisateur pour références futures.

DIRECTIVES IMPORTANTES DE SÉCURITÉ

- Assurez-vous que votre plaque de cuisson est installée et mise à la terre correctement par un installateur ou un technicien de service qualifié.
- Cette plaque de cuisson doit être mise à la terre conformément aux codes locaux d'électricité ou, en l'absence de codes, en conformité avec le National Electrical Code ANSI/NFPA No. 70, dernière édition aux États-Unis, ou avec la norme ACNOR C22.1, Partie 1 au Canada.

⚠ AVERTISSEMENT Il faut couper l'alimentation électrique durant le branchement électrique. À défaut de ce faire il peut en résulter des blessures graves ou la mort.

Connexion électrique

Installez la boîte de jonction sous l'armoire et installez un câble de 120/240 ou 120/208 Volts, AC au panneau de distribution de l'appareil. Ne branchez pas encore le câble au panneau de circuits.

Exigences électriques

Ces appareils doivent être branchés à une alimentation possédant la tension et la fréquence appropriées. Ils doivent être connectés à un circuit dédié correctement mis à la terre et protégé par un disjoncteur ou un fusible. **Le disjoncteur ou fusible recommandé pour cet appareil est de 40A ou 50A.**

Observez tous les règlements et les codes locaux applicables.

1. Un câble électrique à 3 fils ou 4 fils monophasé 120/240 ou 120/208 Volt, 60 Hz AC est requis sur un circuit séparé muni d'un fusible sur chaque fil conducteur (fusible temporisé ou disjoncteur recommandé). NE RELIEZ pas de fusible au neutre. Seulement que certains fours encastrés peuvent être combinés avec cette table de cuisson. Les tables de cuisson et fours encastrés approuvés sont énumérés sur la feuille ID MFG insérée dans votre documentation.

NOTE: Le calibre des fils et leurs connexions doivent être conformes à la capacité des fusibles et à la capacité nominale de l'appareil, selon le National Electrical Code ANSI/NFPA No. 70, dernière édition, ou selon la norme ACNOR C22.1, Partie 1, du Code canadien de l'électricité et les codes et les règlements locaux.

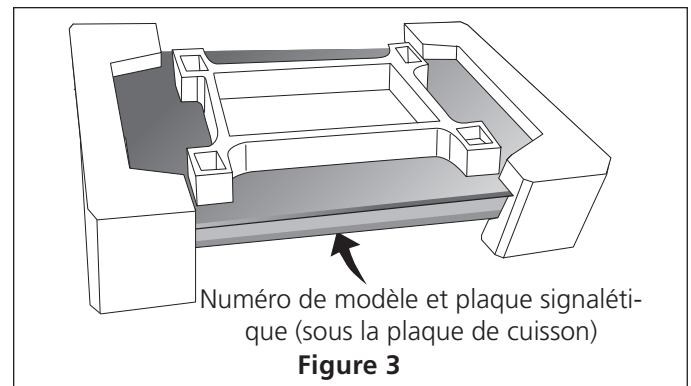
⚠ AVERTISSEMENT N'utilisez pas de rallonge électrique avec cette appareil. Son utilisation peut causer un feu, un choc électrique ou des blessures corporelles.

2. Il faut brancher l'appareil au panneau de distribution en utilisant des câbles flexibles à gaine métallique ou non métallique. On doit brancher directement à la boîte de jonction le câble gainé flexible de l'appareil. Il faut installer la boîte de jonction tel qu'illustré à la Figure 2 en laissant autant de lâche que possible dans le câble entre la boîte et l'appareil, pour en faciliter le déplacement si l'entretien s'avère nécessaire.
3. Une longueur de câble suffisante doit être prévue pour permettre une connexion du câble gainé flexible à la boîte de jonction.

Instructions de déballage

(Modèles vitrocéramiques seulement)

1. N'enlevez pas les coins mousse d'expédition de la plaque de cuisson avant d'avoir terminé la connexion électrique.
2. Assurez-vous de laisser à vue d'oeil la bouteille de nettoyage conditionneur qui se trouve dans l'enveloppe de littérature. Il est important que la surface vitrocéramique lisse soit prétraitée avant d'être utilisée.



Connexions électriques

Le consommateur est responsable et doit communiquer avec un installateur qualifié pour s'assurer que l'installation électrique est adéquate et conforme avec le National Electrical Code ANSI/NFPA No. 70-dernière édition, ou avec la norme ACNOR C22.1, partie 1, du code canadien de l'électricité, et les codes et règlements locaux.

⚠ AVERTISSEMENT Risque de choc électrique (Si cet avertissement n'est pas pris en considération, un choc électrique ou des blessures sérieuses peuvent survenir). Cet appareil est muni de fils en cuivre. Si ce dernier est branché à circuit résidentiel en aluminium, n'utilisez que des connecteurs qui sont approuvés pour joindre des fils de cuivre à des fils d'aluminium conformément au National Electrical Code et les codes et règlements locaux. Lors de l'installation des connecteurs munis de vis touchant directement l'acier ou l'aluminium de conduit flexible, il ne faut pas serrer celles-ci outre mesure afin d'éviter d'endommager le conduit flexible. Il ne faut ni plier ni tordre outre mesure un conduit flexible de manière à éviter un bris dans la gaine et une exposition des fils ou câbles internes.

INSTRUCTIONS D'INSTALLATION POUR PLAQUE DE CUISSON ÉLECTRIQUE

La mise à la terre de cet appareil est obligatoire.

Cet appareil est fabriqué avec un câble d'alimentation possédant un fil de mise à la terre vert (ou de cuivre dénudé) relié au châssis.

⚠ AVERTISSEMENT NE PAS utiliser un tuyau à gaz pour la mise à la terre. NE PAS raccorder l'appareil tant que sa mise à la terre n'est pas complétée. Raccordez les fils de mise à la terre avant de mettre l'appareil sous tension électrique.

Si votre électroménager n'est pas muni d'un fil neutre (blanc): Branchez seulement à un câble d'alimentation 120/240V à 3 fils; le fil neutre n'est pas requis pour le fonctionnement de l'appareil. La différence de potentiel du bloc d'alimentation à la mise à terre doit être de 150V ou moins.

ÉLECTRICIEN: Le câble gainé fourni avec cet appareil est homologué par UL pour connexion à des circuits résidentiels de fils de calibre supérieur. La capacité thermique de l'isolant des câbles excède considérablement celle des circuits résidentiels. La transmission du courant électrique maximum permise des fils du câble est en fonction de la capacité thermique de la gaine plutôt que du calibre du fil.

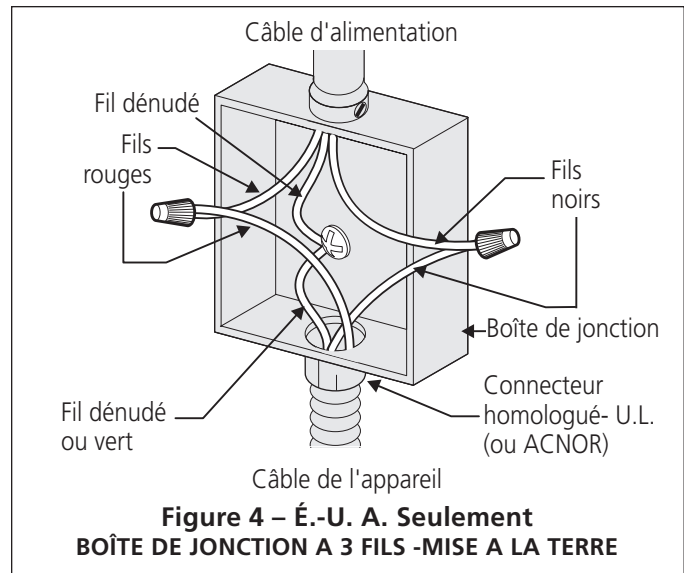
RISQUE D'ÉLECTROCUTION: La mise à la terre par le conducteur neutre est interdit pour un nouveau branchement (NEC 1996) ; caravanes résidentielles ; véhicules récréatifs ; ou au Canada, ou dans un secteur où les codes locaux interdisent la mise à la terre par le connecteur neutre.

⚠ AVERTISSEMENT (Si votre appareil possède un câble muni d'un conducteur blanc neutre.) Cet appareil est fabriqué avec un câble d'alimentation muni d'un fil blanc neutre et d'un fil de mise à la terre en cuivre branché sur le châssis. Si l'appareil est utilisé, aux États-Unis, dans une maison mobile, un nouveau branchement (1996 NEC), un véhicule récréatif où les codes locaux n'autorisent pas la connexion du conducteur de mise à la terre du châssis au neutre ou au Canada, débranchez les fils blanc et vert des autres et utilisez le fil de mise à la terre pour mettre à la terre l'appareil conformément aux codes locaux, branchez le conducteur neutre de manière habituelle au circuit neutre voir la figure 6 ou 7. Si l'appareil doit être branché à un câble à 3 fils (aux États-Unis seulement), où les codes locaux permettent la connexion du fil de mise à la terre du châssis au neutre (blanc). Voir la figure 4 ou 5.

Où les codes locaux permettent la connexion du fil de mise à la terre du châssis au neutre (blanc) (aux États-Unis seulement):

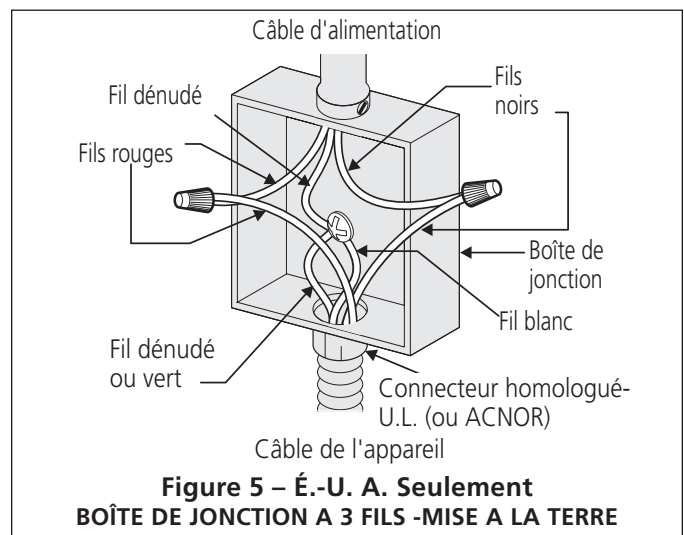
Si votre appareil possède un câble à 3 fils et est relié à un câble de 3 fils dans une boîte de jonction (voir la figure 4):

1. Débrancher l'alimentation.
2. Dans le disjoncteur, boîte à fusibles ou boîte de jonction: connecter l'appareil et les câbles d'alimentation comme (voir figure 4).



Si votre appareil possède un câble à 4 fils et est relié à un câble de 3 fils dans une boîte de jonction (voir la figure 5):

1. Débrancher l'alimentation.
2. Dans le disjoncteur, boîte à fusibles ou boîte de jonction: connecter l'appareil et les câbles d'alimentation comme (voir figure 5).

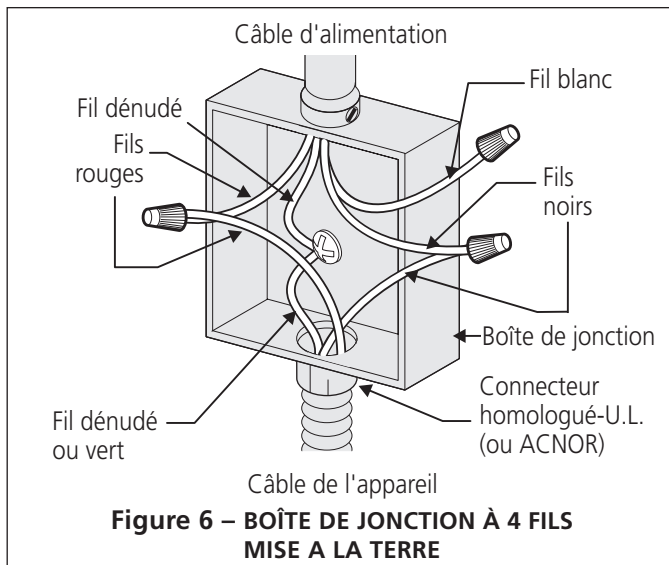


INSTRUCTIONS D'INSTALLATION POUR PLAQUE DE CUISSON ÉLECTRIQUE

Si l'appareil est utilisé dans une maison mobile, un nouveau branchement (1996 NEC), un véhicule récréatif ou si les codes locaux N'AUTORISENT PAS la connexion du conducteur de mise à la terre du châssis au neutre, le châssis de l'appareil NE DOIT PAS être branché au fil neutre du câble à 4 fils.

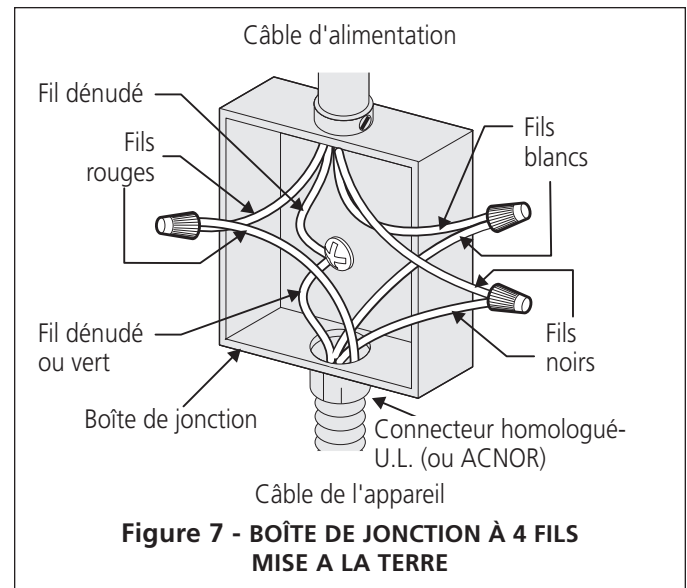
Si votre appareil possède un câble à 3 fils et est relié à un câble de 3 fils dans une boîte de jonction (voir la figure 6):

1. Débrancher l'alimentation.
2. Séparer le fil vert (ou cuivre dénudé) et blanc du câble de l'appareil.
3. Bouchonner le fil blanc du câble d'alimentation si un câble a 3 fils et fourni avec l'appareil.
4. Dans le disjoncteur, boîte à fusibles ou boîte de jonction: connecter l'appareil et les câbles d'alimentation comme (voir figure 6).



Si votre appareil possède un câble à 4 fils et est relié à un câble de 3 fils dans une boîte de jonction (voir la figure 7):

1. Débrancher l'alimentation.
2. Dans le disjoncteur, boîte à fusibles ou boîte de jonction: connecter l'appareil et les câbles d'alimentation comme (voir figure 7).

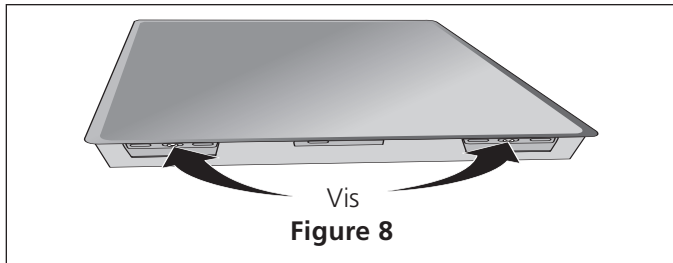


INSTRUCTIONS D'INSTALLATION POUR PLAQUE DE CUISSON ÉLECTRIQUE

Installation de la plaque de cuisson

1. Toutes les plaques de cuisson vitrocéramiques:

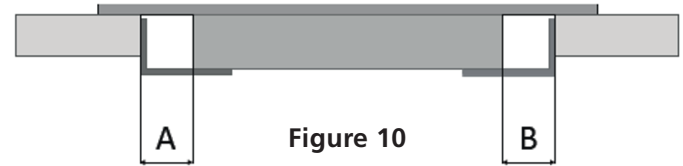
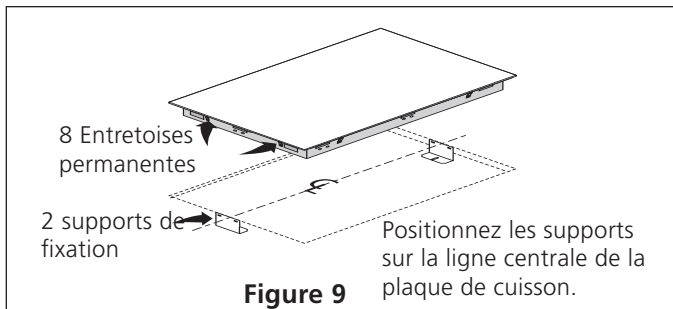
Vérifiez si la plaque de cuisson est endommagée. Veuillez également à ce que toutes les vis de la plaque de cuisson soient bien serrées (Figure 8).



Insérez la plaque de cuisson dans la découpe de dessus de comptoir.

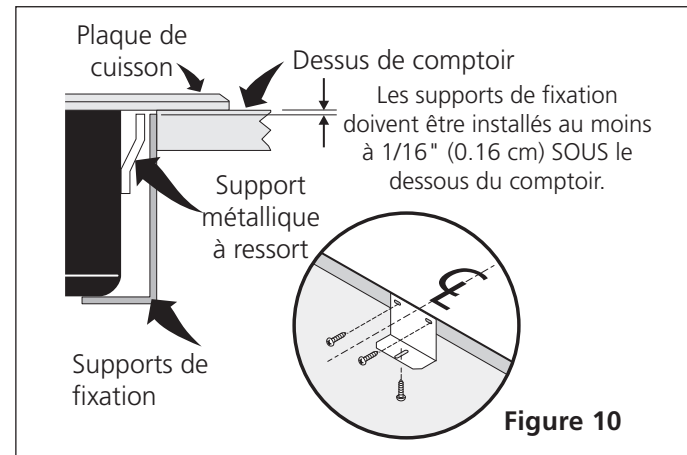
NOTA: N'utilisez pas de pâte à calfeutrage; on doit pouvoir déplacer la plaque de cuisson si l'entretien s'avère nécessaire.

AVERTISSEMENT N'enlevez pas les entretoises en nylon sur les rebords de la plaque de cuisson. Ces entretoises centrent la plaque de cuisson dans l'espace fourni à cet effet. La plaque de cuisson doit être centrée pour empêcher l'accumulation d'excès de chaleur pouvant entraîner des dommages par la chaleur ou le feu (voir Figure 9).



Lors de l'installation avec une découpe large, assurez-vous que la plaque de cuisson est centrée. Un écart A et B devrait avoir les mêmes dimensions. Les trous allongés sur le fond des supports d'installation sont conçus pour s'adapter à chaque découpe.

Les supports de fixation DOIVENT être installés conformément aux codes locaux ou, en leur absence, en conformité avec le National Electrical Code ANSI/NFPA No. 70, dernière édition, ou le Code Électrique canadien norme ACNOR C22.1, Partie 1 (Figure 10).



Installation de comptoir de granit

Si cette table de cuisson doit être installée sur un comptoir en granite, assurez-vous d'effectuer les opérations suivantes :

1. Utilisez un tube de silicone résistant à la chaleur Dow Corning (silicone pour table de cuisson, de couleur gris, noir ou blanc). Cette pièce est également disponible comme pièce de rechange : numéro d'article 73219-1780.
2. Utilisez du ruban pour fixer les supports (par le haut du support) exactement là où ils doivent être, selon les instructions d'installation (utilisez du ruban à conduits ou un ruban adhésif similaire).
3. Soulevez les supports et appliquez une quantité généreuse de silicone sur la lèvre de la table de cuisson.
4. Appliquez suffisamment de silicone pour qu'un excès de silicone s'écoule/pousse à travers tous les trous dans les supports.
5. Appliquez les supports sur le silicone de la table de cuisson, comme indiqué sur le schéma.
6. Examinez chaque trou pour vous assurer que l'excès de silicone a traversé tous les trous dans le support.
7. Ne retirez pas l'excès de silicone qui a coulé à travers les trous du support. Une fois durci, cet excès de silicone fournira un support supplémentaire.
8. Laissez durcir pendant le temps minimum prescrit par le fabricant de colle à base de silicone. Vous trouverez cette information sur le tube de silicone.
9. Retirez le ruban à conduits de l'installation.
10. Installez la table de cuisson comme indiqué sur le schéma et fixez-la avec les vis de montage.

Vérification de fonctionnement

Référez-vous au [Guide de l'utilisateur](#) pour le mode de fonctionnement.

⚠ MISE EN GARDE

Ne touchez pas à la vitre de la plaque de cuisson ou aux éléments. Ils peuvent être suffisamment chauds pour causer des brûlures.

Emplacement des numéros de modèle et de série

La plaque signalétique est située sous la plaque de cuisson ou dans le boîtier.

Pour toute commande de pièces ou demande de renseignements, au sujet de votre plaque de cuisson, assurez-vous de toujours inclure les numéros de modèle et de série, ainsi que le numéro ou lettre de lot de la plaque signalétique de votre plaque de cuisson.

Avant d'appeler le service d'entretien

Consultez la liste des vérifications préventives et les instructions d'opération dans votre [Guide de l'utilisateur](#). Vous sauvez probablement du temps et de l'argent. La liste contient les incidents ordinaires ne résultant pas de défauts dans le matériel ou la fabrication de cet appareil.

Pour obtenir notre adresse et notre numéro de téléphone référez-vous à la garantie et aux renseignements sur les services d'entretien dans votre [Guide de l'utilisateur](#). Prière de nous téléphoner ou de nous écrire pour toute demande d'information au sujet de votre appareil et/ou si vous désirez commander des pièces.

INSTRUCTIONS D'INSTALLATION POUR PLAQUE DE CUISSON ÉLECTRIQUE

L'installation typique d'un four encastré électrique sous le comptoir est présentée à la figure plus bas.

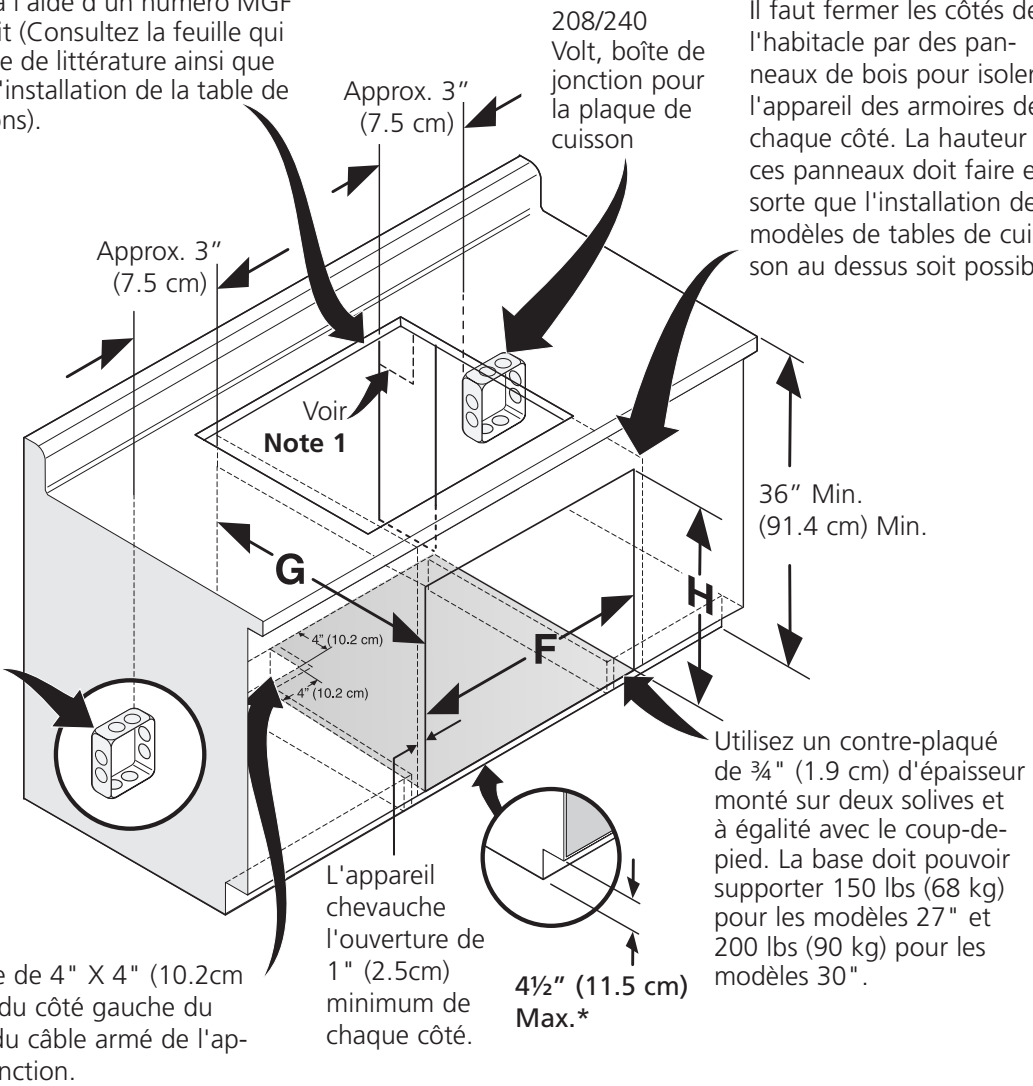
Seulement certains modèles de tables de cuisson peuvent être installés au-dessus de certains modèles de fours encastrés. Les modèles approuvés pour être combinés sont identifiés à l'aide d'un numéro MGF ID et d'un code de produit (Consultez la feuille qui se trouve dans l'enveloppe de littérature ainsi que le feuillet d'instructions d'installation de la table de cuisson pour les dimensions).

Note 1: Découpez une ouverture de 4" x 4" (10.2cm X 10.2cm) pour la sortie du câble armé vers la boîte de jonction.

Il faut fermer les côtés de l'habitacle par des panneaux de bois pour isoler l'appareil des armoires de chaque côté. La hauteur de ces panneaux doit faire en sorte que l'installation des modèles de tables de cuisson au dessus soit possible.

⚠ AVERTISSEMENT

Pour réduire les risques de blessures et pour empêcher le four encastré de basculer. Utilisez les supports de fixation pour retenir le four encastré à l'armoire.



Découpez une ouverture de 4" X 4" (10.2cm X 10.2cm), à 2" (5 cm) du côté gauche du plancher pour la sortie du câble armé de l'appareil vers la boîte de jonction.

* Si aucune table de cuisson n'est installée au-dessus du four encastré, un maximum de 5" (12.7cm) à partir du plancher est permis.

DIMENSIONS DE L'OUVERTURE			
	F. LARGEUR	G. PROFONDEUR	H. HAUTEUR
Four encastré 27" (68.6cm)	24 ⁷ / ₈ " (63.2cm) Min. 25 ¹ / ₄ " (64.1cm) Max.	23 ¹ / ₂ " (59.7cm) Min.	27 ¹ / ₄ " (69.2cm) Min. 28 ¹ / ₄ " (71.8cm) Max.
Four encastré 30" (76.2cm)	28 ¹ / ₂ " (72.4cm) Min. 29" (73.7cm) Max.	23 ¹ / ₂ " (59.7cm) Min.	27 ¹ / ₄ " (69.2cm) Min. 28 ¹ / ₄ " (71.8cm) Max.

INSTALLATION TYPIQUE D'UN FOUR ENCASTRÉ SIMPLE SOUS LE COMPTOIR AVEC UNE TABLE DE CUISSON ÉLECTRIQUE OU À GAZ INSTALLÉE PAR-DESSUS