

FRIGIDAIRE

GALLERY



30" Front Control Gas Range with Air Fry

Gas Range

Available Products: FGGH3047VD, FGGH3047VF

Available Colors: Black Stainless Steel, Stainless Steel

Version: 08/22

Product Specifications

Cooktop

Cooking Surface Type	Gas
Grate Material	Cast Iron
Grate Quantity	3
Grate Style	Continuous

Cooking Controls

Air Fry	Yes
Bake	Yes
Broil	Yes
Cancel	Yes
Door Lock	Yes
Kitchen Timer	Yes
Lockout	Yes
Off	Yes
Oven Light	Yes
Preheat	Yes
Probe	No
Quick Bake	Yes
Self Clean	Yes
Set Clock	Yes
Start	Yes
Temperature Display	Yes

Drawer

Drawer Type	Storage
-------------	---------

Display

Display Interface Color	White
Display Type	Capacitive Touch
Control Location	Front

Electrical Specifications

Minimum Circuit Required	15 Amps
Voltage Rating	120 V

General Specifications

Warranty - Labor	1 Year
Warranty - Parts	1 Year
Frigidaire Fit Promise	Yes

Cooktop Performance

Right Front Element Burner	18,000 BTU
Right Rear Element Burner	5,000 BTU
Left Front Element Burner	14,000 BTU
Left Rear Element Burner	9,500 BTU
Center Rear Element Burner	10,000 BTU

Oven

Bake System	Yes
Bake Element	18,000 BTU
Broil System	Yes
Rack Position Type	Nickel Ladder
Number of Rack Positions	6
Rack Type 1	Flat
Rack Type 1 Quantity	3
Window Type	Extra Large Visual

Controls

Control Lock	Yes
Sabbath Mode	Yes

Dimensions and Volume

Height	36 5/8"
Width	29 7/8"
Depth	26 3/4"
Depth With Door 90° Open	47"
Depth With Handle	29"
Oven Interior Height	20 5/8"
Oven Interior Width	24 3/8"
Oven Interior Depth	19 1/8"
Oven Capacity	5.6 Cu. Ft.

Installation

Power Cord Included	Yes
Adjustable Leveling Legs	Yes

Certifications and Approvals

ADA Compliant	Yes
---------------	-----

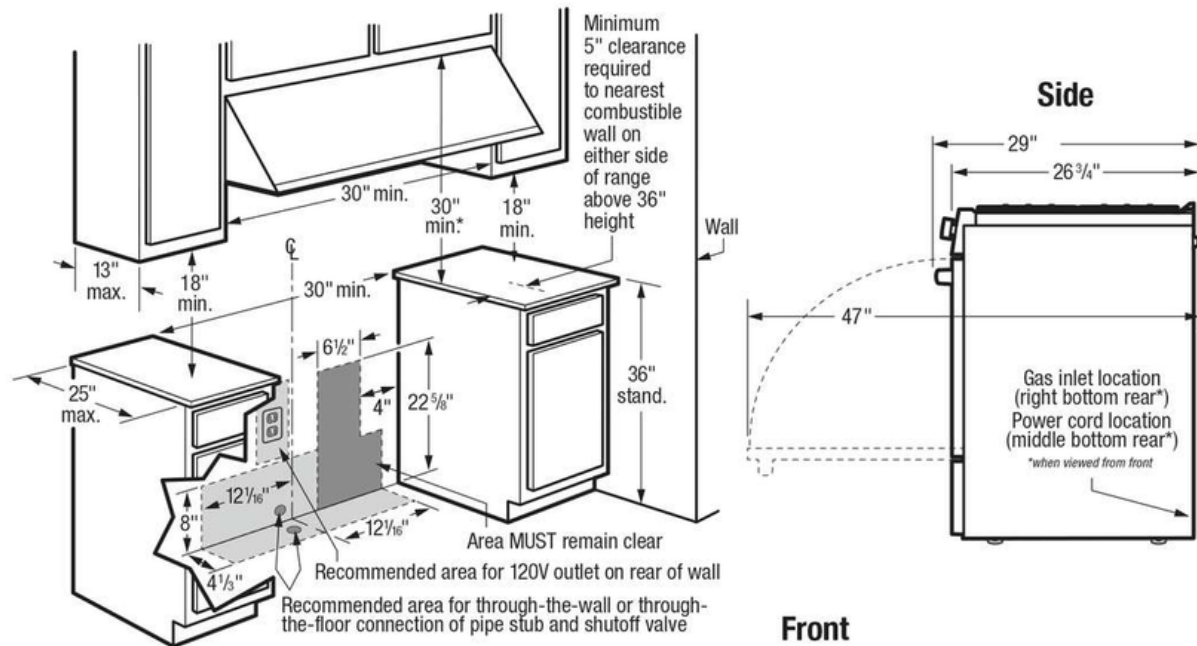
For planning purposes only. We reserve the right to change specifications or discontinue models without notice. Refer to Product Installation Guide for detailed installation instructions on the web at frigidaire.com/frigidaire.ca Electrolux Major Appliances, N.A.

USA • 10200 David Taylor Drive • Charlotte, NC 28262 • Charlotte, NC 28262 • 1-877-4electrolux (1-877-435-3287) • frigidaire.com
CANADA • 5855 Terry Fox Way • Mississauga, ON L5V 3E4 • 1-800-265-8352 • frigidaire.ca

Safety Certifications and Approvals

CSA Listed	Yes
UL Listed	Yes
ETL Listed	No

Installation Diagram



***Note:** 30" minimum clearance between top of cooking surface and bottom of unprotected wood or metal overhead cabinet; or 24" minimum clearance when bottom of wood or metal overhead cabinet is protected by not less than 1/4" flame-retardant millboard covered with not less than No. 28 MSG sheet steel, 0.015" stainless steel, 0.024" aluminum or 0.020" copper. 0" clearance is minimum for rear of range. Follow all dimension requirements provided above to prevent property damage, potential fire hazard, and incorrect countertop and cabinet cuts.

