

INSTALLATION INSTRUCTIONS

FRONT CONTROL FREESTANDING GAS RANGE

INSTALLATION AND SERVICE MUST BE PERFORMED BY A QUALIFIED INSTALLER.
IMPORTANT: SAVE FOR LOCAL ELECTRICAL INSPECTOR'S USE.
READ AND SAVE THESE INSTRUCTIONS FOR FUTURE REFERENCE.



⚠ WARNING FOR YOUR SAFETY: Do not store or use gasoline or other flammable vapors and liquids in the vicinity of this or any other appliance.



IMPORTANT SAFETY INSTRUCTIONS

⚠ WARNING If the information in this manual is not followed exactly, a fire or electrical shock may result causing property damage, personal injury or death.

FOR YOUR SAFETY:

- Do not store or use gasoline or other flammable vapors and liquids in the vicinity of this or any other appliance.
- **WHAT TO DO IF YOU SMELL GAS:**
 - Do not try to light any appliance.
 - Do not touch any electrical switch; do not use any phone in your building.
 - Immediately call your gas supplier from a neighbor's phone. Follow the gas supplier's instructions.
 - If you cannot reach your gas supplier, call the fire department.
- Installation and service must be performed by a qualified installer, service agency or the gas supplier.

Important Notes to the Installer:

- Read all instructions contained in these installation instructions before installing range.
- Remove all packing material from the oven compartments before connecting the gas & electrical supply to the range.
- Observe all governing codes and ordinances.
- Be sure to leave these instructions with the consumer.

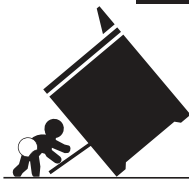
Important Notes to the Consumer:

Keep these instructions with your owner's guide for future reference.

- As when using any appliance generating heat, there are certain safety precautions you should follow. These are listed in the Use & Care Guide, read it carefully.

- Be sure your range is installed and grounded properly by a qualified installer or service technician.
- Make sure the wall coverings around the range can withstand the heat generated by the range.
- To eliminate the need to reach over the surface elements, cabinet storage space above the elements should be avoided.

⚠ WARNING Tip Over Hazard

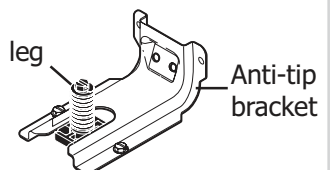


- **A child or adult can tip the range and be killed.**
- **Verify the anti-tip device has been installed to floor or wall.**

- **Ensure the anti-tip device is re-engaged to floor or wall when the range is moved.**
- **Do not operate the range without the anti-tip device in place and engaged.**
- **Failure to follow these instructions can result in death or serious burns to children and adults.**



Range leveling leg



Anti-tip bracket

To check if the anti-tip bracket is installed properly, use both arms to grasp the rear edge of the range back. Carefully attempt to tilt range forward. When properly installed, the range should not tilt forward.

Refer to the anti-tip bracket installation instructions supplied with your range for proper installation.

IMPORTANT SAFETY INSTRUCTIONS

Provide proper fuel type

Before proceeding: Your range is factory preset to operate on natural gas. If L.P. conversion is needed, contact your local L.P. Gas provider for assistance.

The L.P. conversion kit may be located on the lower rear back panel of the range. If no L.P. kit is provided, contact your product dealer to obtain the correct L.P. conversion kit.

- Installation of this range must conform with local codes or, in the absence of local codes, with the National Fuel Gas Code ANSI Z223.1—latest edition when installed in the United States.
- When installed in a manufactured (mobile) home, installation must conform with the Manufactured Home Construction and Safety Standard, Title 24 CFR, Part 3280 [formerly the Federal Standard for Mobile Home Construction and Safety, Title 24, HUD (Part 280)] or, when such standard is not applicable, the Standard for Manufactured Home Installations, ANSI/NCSCS A225.1, or with local codes.
- This range has been design certified by CSA International. As with any appliance using gas and generating heat, there are certain safety precautions you should follow. You will find them in the [Use & Care Guide](#), read it carefully.
- Be sure your range is installed and grounded properly by a qualified installer or service technician.
- This range must be electrically grounded in accordance with local codes or, in their absence, with the National Electrical Code ANSI/NFPA No .70—latest edition when installed in the United States. See Grounding Instructions on page 9.
- Before installing the range in an area covered with linoleum or any other synthetic floor covering, make sure the floor covering can withstand heat at least 90°F above room temperature without shrinking, warping or discoloring. Do not install the range over carpeting unless you place an insulating pad or sheet of 1/4-inch thick plywood between the range and carpeting.
- Make sure the wall coverings around the range can withstand the heat generated by the range.
- Do not obstruct the flow of combustion air at the oven vent nor around the base or beneath the lower front panel of the range. Avoid touching the vent openings or nearby surfaces as they may become hot while the oven is in operation. This range requires fresh air for proper burner combustion.

- Air curtain or other overhead range hoods, which operate by blowing a downward air flow on to a range or cooktop, shall not be used in conjunction with gas ranges other than when the hood and range have been designed, tested and listed by an independent test laboratory for use in combination with each other.

⚠ WARNING DO NOT MAKE ANY ATTEMPT TO OPERATE THE ELECTRIC IGNITION OVEN DURING AN ELECTRICAL POWER FAILURE. RESET ALL OVEN CONTROLS TO “OFF” IN THE EVENT OF A POWER FAILURE.

The electric ignitor will automatically re-ignite the oven burner when power resumes if the oven thermostat control was left in the “ON” position.

When an electrical power failure occurs during use, the surface burners will continue to operate.

During a power outage, the surface burners can be lit with a match. Hold a lighted match to the burner, then slowly turn the knob to the LITE position. Use extreme caution when lighting burners this way.

30" GAS FRONT CONTROL FREESTANDING INSTALLATION INSTRUCTIONS

⚠ WARNING Never leave children alone or unattended in the area where an appliance is in use. Teach children the proper, safe use of all appliances. Never leave the oven door open when the range is unattended.

⚠ WARNING Stepping, leaning or sitting on the doors or drawers of this range can result in serious injuries and can also cause damage to the range.

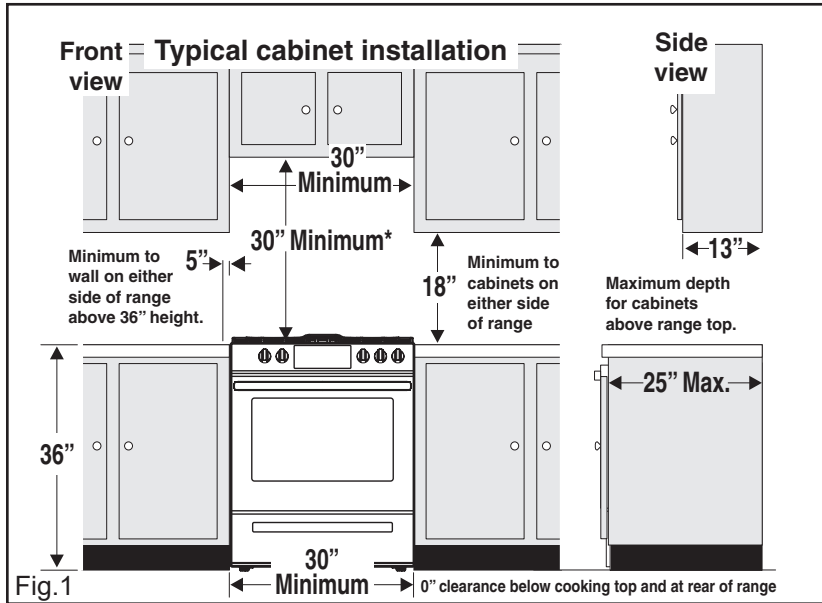
- Do not store items of interest to children in the cabinets above the range. Children could be seriously burned climbing on the range to reach items.
- To eliminate the need to reach over the surface burners, cabinet storage space above the burners should be avoided.
- Adjust surface burner flame size so it does not extend beyond the edge of the cooking utensil. Excessive flame is hazardous.
- Do not use the oven as a storage space. This creates a potentially hazardous situation.
- Never use your range for warming or heating the room. Prolonged use of the range without adequate ventilation can be dangerous.
- Do not store or use gasoline or other flammable vapors and liquids near this or any other appliance. Explosions or fires could result.
- Reset all controls to the "OFF" position after using a programmable timing operation.
- Unlike some gas ranges, the cooktop is not removable. Do not attempt to remove the cooktop.

Special instructions for appliances installed in the state of Massachusetts: This Appliance can only be installed in the state of Massachusetts by a Massachusetts licensed plumber or gas fitter. When using a flexible connector, it must not exceed three (3) feet (36 in.) long. A "T" handle type manual gas valve must be installed in the gas supply line to this appliance.

30" GAS FRONT CONTROL FREESTANDING INSTALLATION INSTRUCTIONS

1. Clearances and Dimensions

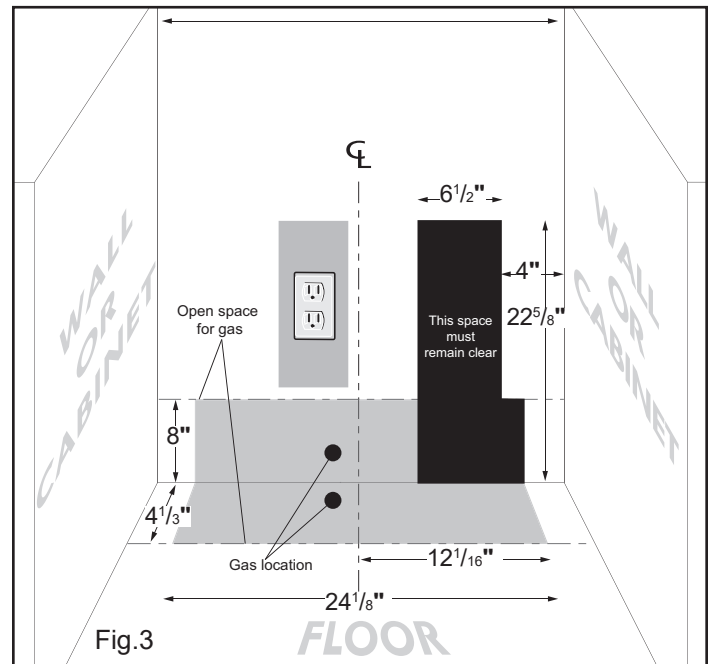
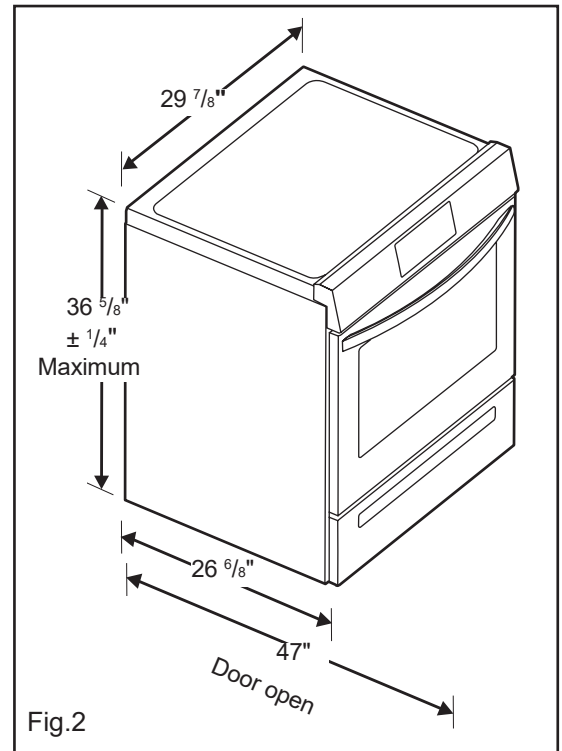
- Provide adequate clearances between the range and adjacent combustible surfaces.
- Location—Check location where the range will be installed. Check for proper electrical supply and gas supply and the stability of floor.
- Dimensions that are shown must be used. Given dimensions provide minimum clearance. Contact surface must be solid and level.



*30" (762 mm) MINIMUM CLEARANCE BETWEEN THE TOP OF THE COOKING SURFACE AND THE BOTTOM OF AN UNPROTECTED WOOD OR METAL CABINET; OR 24" (610 mm) MINIMUM WHEN BOTTOM OF WOOD OR METAL CABINET IS PROTECTED BY NOT LESS THAN 1/4" (6 mm) FLAME RETARDANT MILLBOARD COVERED WITH NOT LESS THAN NO. 28 MSG SHEET STEEL, 0.015" (0.4 mm) STAINLESS STEEL, 0.024" (0.6 mm) ALUMINUM OR 0.020" (0.5 mm) COPPER. 0" (0 mm) CLEARANCE IS THE MINIMUM FOR THE REAR OF THE RANGE. FOLLOW ALL DIMENSION REQUIREMENTS PROVIDED ABOVE TO PREVENT PROPERTY DAMAGE, POTENTIAL FIRE HAZARD, AND INCORRECT COUNTERTOP AND CABINET CUTS.

TO ELIMINATE THE RISK OF BURNS OR FIRE BY REACHING OVER HEATED SURFACE UNITS, CABINET STORAGE SPACE LOCATED ABOVE THE SURFACE UNITS SHOULD BE AVOIDED. IF CABINET STORAGE IS TO BE PROVIDED, THE RISK CAN BE REDUCED BY INSTALLING A RANGE HOOD THAT PROJECTS HORIZONTALLY A MINIMUM OF 5" (127 mm) BEYOND THE BOTTOM OF THE CABINETS.

⚠ WARNING DO NOT MAKE ANY ATTEMPT TO OPERATE THE ELECTRIC IGNITION OVEN DURING AN ELECTRICAL POWER FAILURE. RESET ALL OVEN CONTROLS TO OFF IN THE EVENT OF A POWER FAILURE. The electric ignitor will automatically re-ignite the oven burner when power resumes if the oven thermostat control was left in the ON position.



When an electrical power failure occurs during use, the surface burners will continue to operate. During a power outage, the surface burners can be lit with a match. Hold a lighted match to the burner, then slowly turn the knob to the Lite position. Use extreme caution when lighting burners this way.

2. Tools You Will Need

(Wear safety glasses when using tools):

For leveling legs and Anti-Tip Bracket:

- Adjustable wrench or channel lock pliers (Fig. a)
- 5/16" Nutdriver or flat head screwdriver (Fig. b)
- Electric drill & 1/8" drill bit (3/16" Masonry drill bit if installing in concrete) (Fig. c)
- Level (Fig. d)

For gas supply connection:

- Adjustable wrench and pipe wrench (Figs. a & e)

For burner flame adjustment:

- Phillips head and **small flat-blade** screwdrivers (Figs. f & g)

Materials you will need:

- Pipe joint sealant that resists action of LP/Propane gas (Fig. h)
- Gas line manual shut-off valve (Fig. i)
- A new flexible metal appliance conduit (1/2" NPT x 3/4" or 1/2" I.D.) must be design certified by CSA International. Because solid pipe restricts moving the range, we recommend using a new flexible conduit (4 to 5 foot length) for each new installation and additional reinstalls. (Fig. j)
- Use new flare union adapters (1/2" NPT x 3/4" or 1/2" I.D.) (Fig. k)

Materials supplied with appliance:

- Anti-Tip Template (Fig. l)
- Anti-Tip bracket; includes 2 mounting screws (Fig. m)

Tools



Fig. a

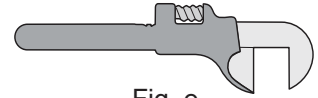


Fig. e

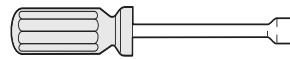


Fig. b

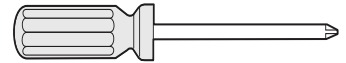


Fig. f

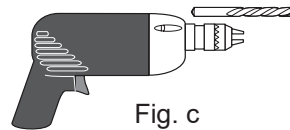


Fig. c

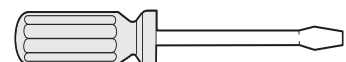


Fig. g

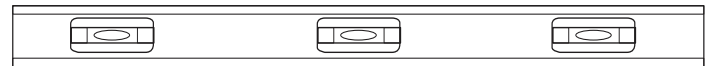


Fig. d

Materials



Fig. h

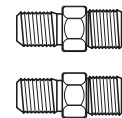


Fig. k



Fig. i

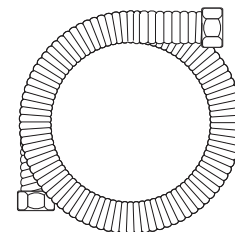


Fig. j

Materials supplied with appliance

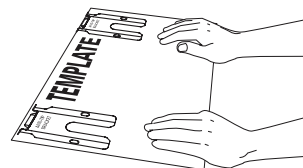


Fig. l

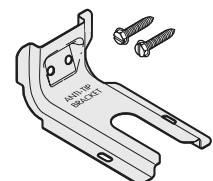


Fig. m

3. Anti-Tip Bracket Installation Instructions

Important Safety Warning

To reduce the risk of tipping of the range, the range should be secured to the floor by properly installed anti-tip bracket and screws packed with the range. Failure to install the anti-tip bracket will allow the range to tip over if excessive weight is placed on an open door or if a child climbs upon it. Serious injury might result from spilled hot liquids or from the range itself.

If range is ever moved to a different location, the anti-tip brackets must also be moved and installed with the range.

Instructions are provided for installation in wood or cement fastened to either the floor or wall. When installed to the wall, make sure that screws completely penetrate dry wall and are secured in wood or metal. When fastening to the floor or wall, be sure that screws do not penetrate electrical wiring or plumbing.

- A. Locate the Bracket Using the Template - (Bracket may be located on either the left or right side of the range. Use the information below to locate the bracket if template is not available). Mark the floor or wall where left or right side of the range will be located. If rear of range is against the wall or no further than 1-1/4" (32 mm) from wall when installed, you may use the wall or floor mount method. If molding is installed and does not allow the bracket to fit flush against the wall, remove molding or mount bracket to the floor. For wall mount, locate the bracket by placing the back edge of the template against the rear wall and the side edge of template on the mark made referencing the side of the range. Place bracket on top of template and mark location of the screw holes in wall. If rear of range is further than 1-1/4" (32 mm) from the wall when installed, attach bracket to the floor.

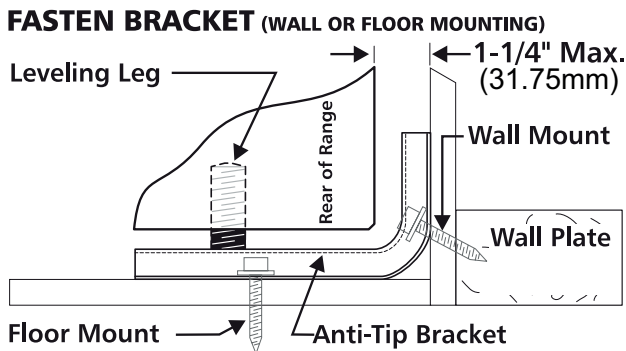


Fig. 4

FASTEN BRACKET (FLOOR MOUNTING ONLY)

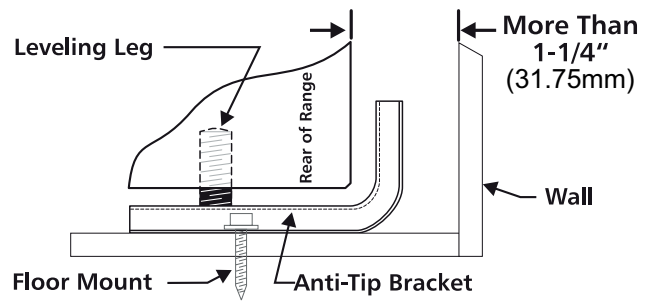


Fig. 5

For floor mount, locate the bracket by placing back edge of the template where the rear of the range will be located. Mark the location of the screw holes, shown in template.

- B. Drill Pilot Holes and Fasten Bracket - Drill a 1/8" (3 mm) pilot hole where screws are to be located. If bracket is to be mounted to the wall, drill pilot hole at an approximate 20° downward angle. If bracket is to be mounted to masonry or ceramic floors, drill a 5/32" (4 mm) pilot hole 1-3/4" (44 mm) deep. The screws provided may be used in wood or concrete material. Use a 5/16" (8 mm) nut-driver or flat head screwdriver to secure the bracket in place.

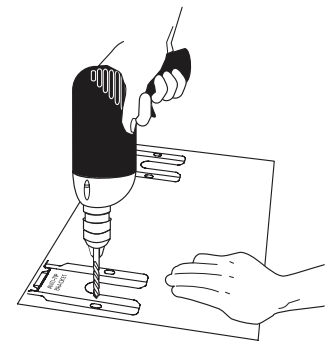


Fig. 6

- C. Level and Position Range - Level range by adjusting the (4) leveling legs with a wrench. Note: A minimum clearance of 1/8" (3 mm) is required between the bottom of the range and the leveling leg to allow room for the bracket. Use a spirit level to check your adjustments. Slide range back into position. Visually check that rear leveling leg is inserted into and fully secured by the Anti-Tip Bracket by removing lower panel or storage drawer. For models with a warmer drawer or broiler compartment, grasp the top rear edge of the range and carefully attempt to tilt it forward.

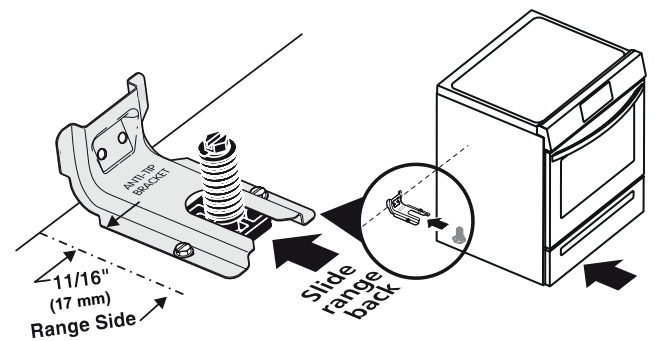


Fig. 7

4. Provide an adequate gas supply.

Please note: Operation at elevations above 2000 ft., appliance rating shall be reduced at the rate of 4 percent for each 1000 ft. above sea level.

This appliance is pre-set to operate on 4" natural gas manifold pressure. A convertible pressure regulator is connected to the manifold and **MUST** be connected in series with the gas supply line. If the LP/Propane conversion kit has been used, follow instructions provided with the kit for converting the pressure regulator to LP/Propane use.

Care must be taken during installation of range not to obstruct the flow of combustion and ventilation air.

For proper operation, the maximum inlet pressure to the regulator should be no more than 14 inches of water column pressure. The inlet pressure to the regulator must be at least 1 inch greater than regulator manifold pressure.

Example: If regulator is set for natural gas 4 inch manifold pressure, inlet pressure must be at least 5 inches; if regulator has been converted for LP/Propane gas 10 inch manifold pressure, inlet pressure must be at least 11 inches.

Leak testing of the appliance shall be conducted according to the instructions in step 4g.

The gas supply line should be 1/2" or 3/4" I.D.

5. Seal wall openings.

Seal any openings in the wall behind the range and in the floor under the range after gas supply line is installed.

6. Connect range to gas supply.

Note: To prevent leaks use pipe joint sealant on all male (outside) pipe threads. Do not allow gas pressure regulator to turn on pipe when tightening fittings.

- a. Install an external manual gas shut-off valve to gas supply line in an accessible location outside of range. Be sure you know where and how to shut off the gas supply to the range (See Fig. 8).
- b. Install 1/2" flare union adaptor to gas pressure regulator using no more than 15ft./lbs. of torque (Refer to Fig. 8).

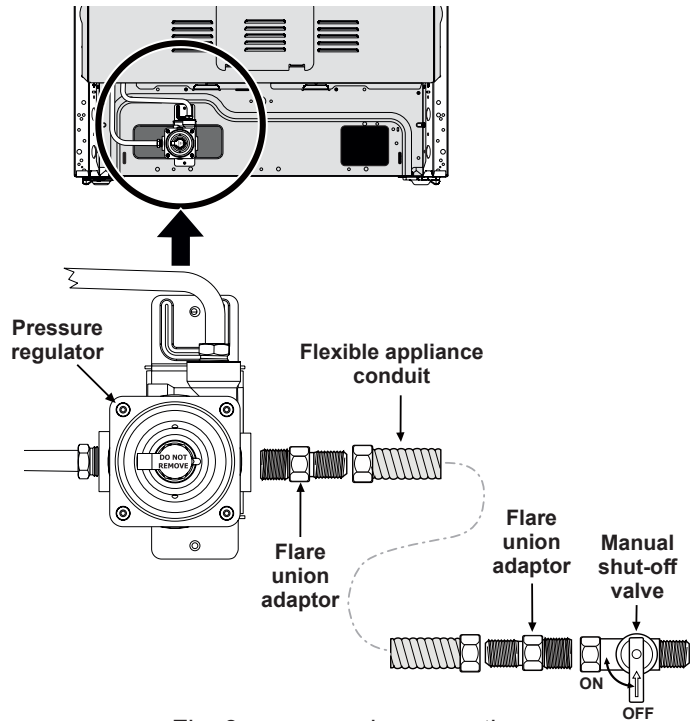


Fig. 8 - gas supply connections

Be sure to **stabilize** the left side of the gas pressure regulator before tightening ANY fittings to the pressure regulator. Do not allow pressure regulator to turn on pipe when tightening fittings (Refer to Fig. 9).

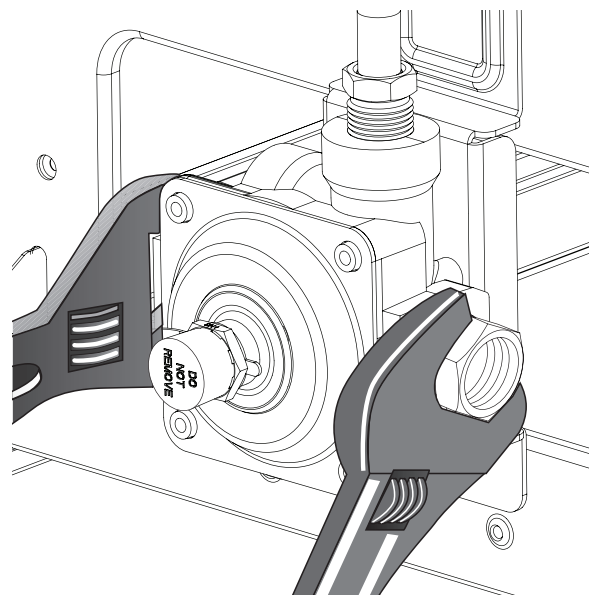


Fig. 9

30" GAS FRONT CONTROL FREESTANDING INSTALLATION INSTRUCTIONS

- c. Tighten the gas supply fitting and/or appliance conduit to flare union adaptor on the right side of the pressure regulator (refer to Fig. 10) using NO MORE THAN 15ft./lbs. of torque. Be sure to stabilize the 1/2" flare union adapter with an adjustable wrench before tightening the gas supply fitting and/or appliance conduit.

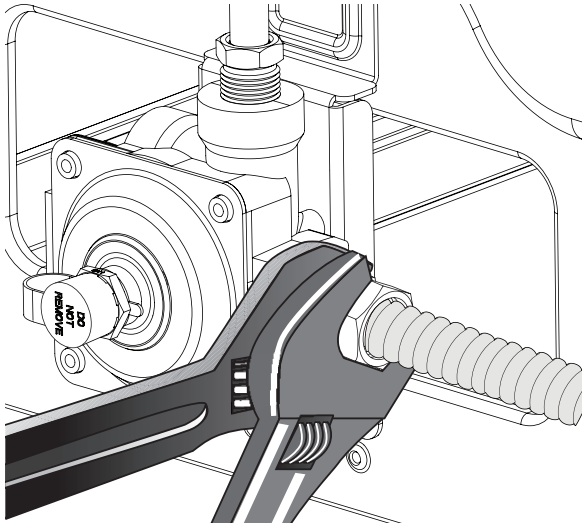


Fig. 10

- d. Install flare union adaptor to external manual shut-off valve (See Fig. 8).
- e. Attach flexible appliance conduit to flare union adaptor on shut-off valve (See Fig. 8).
- f. Make sure the service shut-off valve on pressure regulator is set to the ON position (See Fig. 11).

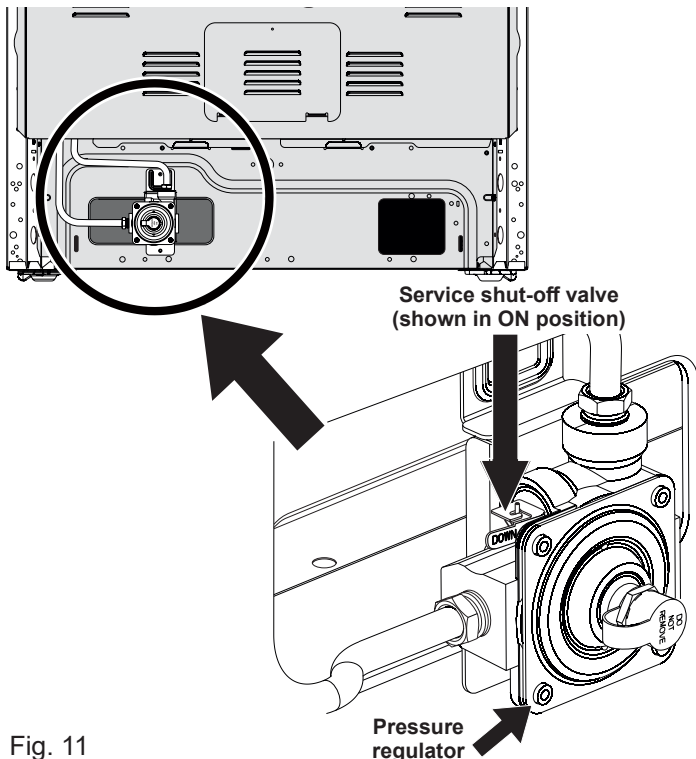


Fig. 11

- g. Check for gas leaks. Turn the gas supply on to the range and use a liquid leak detector at all joints and conduits to check for leaks in the system.

Checking manifold gas pressure

⚠ WARNING Do not use flame to check for gas leaks.

Disconnect the range and its individual shut-off valve from the gas supply piping system during any pressure testing of that system at test pressures greater than 14" of water column pressure (approximately 1/2" psig).

The appliance must be isolated from the gas supply piping system by closing its individual manual shut-off valve during any pressure testing of the gas supply piping system at test pressures equal to or less than 14" of water column pressure (approximately 1/2" psig).

If it should be necessary to check the manifold gas pressure, connect manometer (water gauge) or other pressure device to the top burner right rear orifice. Using a rubber hose with inside diameter of approximately 1/4," hold tubing down tight over orifice. Turn burner valve on.

For an accurate pressure check have at least two (2) other top burners burning. Be sure the gas supply (inlet) pressure is at least one inch above specified range manifold pressure. The gas supply pressure should never be over 14" water column. When properly adjusted for Natural Gas the manifold pressure is 4". For LP/Propane Gas the manifold pressure is 10".

7. Read the following electrical connection details before connecting electricity to range.

⚠ WARNING Before servicing, disconnect electrical supply at circuit breaker, fuse or power cord.

Electric requirements:

A dedicated, properly grounded and polarized branch circuit protected by a 15 amp. circuit breaker or time delay fuse. See serial plate for proper voltage.

Extension cord precautions:

Because of potential safety hazards under certain conditions, we strongly recommend against the use of any extension cord. However, if you still choose to use an extension cord, it is absolutely necessary that it be a UL listed 3-wire grounding type appliance extension cord and that the current carrying rating of the cord in amperes be equivalent to or greater than the branch circuit rating. Such extension cords are obtainable through your local service organization.

⚠ WARNING Please read carefully! For personal safety, this product must be properly grounded.

Do not, under any circumstances, cut or remove the third (ground) prong from the power cord (See Fig. 12).

Where a standard two-prong wall receptacle is encountered, it is the personal responsibility and obligation of the customer to have it replaced with a properly grounded three-prong wall receptacle.

Preferred method

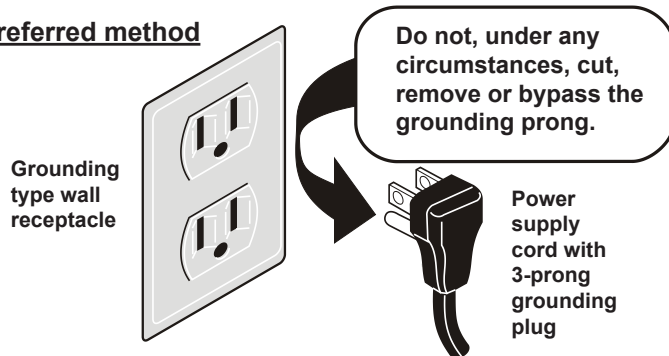


Fig. 12

Grounding instructions:

The power cord of this appliance is equipped with a 3-prong (grounding) plug which mates with a standard 3-prong grounding wall receptacle to minimize the possibility of electric shock hazard from this appliance. The customer should have the wall receptacle and circuit checked by a qualified electrician to make sure the receptacle is properly grounded and polarized.

8. Check burner cap placement.

It is very important to be sure that all surface burner caps and burner grates are properly installed and in the correct locations before operating the appliance. The cooktop is not removeable. Do not attempt to remove or lift the cooktop.

⚠ WARNING To prevent flare-ups and avoid creation of harmful by-products, do not use the cooktop without all burner caps properly installed to insure proper ignition and gas flame size.

Always keep the burner caps and burner heads in place whenever the surface burners are in use. Do not allow spills, food, cleaning agents or any other material to enter the gas orifice holder openings.

Check and be sure the size of each burner cap matches the size of the burner head. Check and be sure that all round style burner caps are correctly in place on round burner heads.

Check and be sure that all oval style burner caps are correctly in place on oval burner heads (if equipped). Check and be sure that all dual or twin style burner caps are correctly in place on dual or twin burner heads (if equipped).

On round style burners, the burner cap lip (See Fig. 13) should fit snug into the center of burner head and be level. Refer to Figs. 14 & 15 for correct and incorrect burner cap placement.

Once in place, you may check the fit by gently sliding the burner cap from side to side (Fig. 16) to be sure it is centered and firmly seated. Please note that the burner cap should NOT move off the center of the burner head when sliding from side to side.

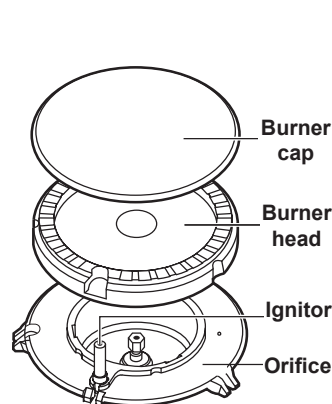
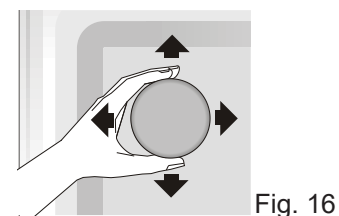
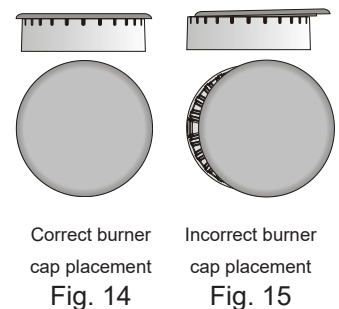


Fig. 13



9. Check ignition of surface burners.

Operation of electric igniters should be checked after range and supply line connectors have been carefully checked for leaks and range has been connected to electric power.

- To check for proper ignition, **push in and turn** a surface burner knob **counterclockwise** to the **LITE** position. You will hear the igniter sparking.
- The surface burner should ignite when gas is available to the burner. Purge air from supply lines by leaving knob in the **LITE** position until burner ignites. Each burner should light within four (4) seconds in normal operation after air has been purged from supply lines.
- Visually check that burner has a flame. Once the burner ignites, the control knob should be turned out of the LITE position.
- Try each surface control knob separately until all surface burners have been checked. Each burner location is equipped with a separate electrode.

10. Adjust LOW setting of surface burner valves (linear flow).

Test to verify if LOW setting should be adjusted:

- Push in and turn control to LITE until burner ignites.
- Push in and quickly turn knob to lowest position.
- If burner goes out, reset control to OFF.
- Remove the surface burner control knob.
- Insert a thin-bladed screwdriver into the hollow valve stem and engage the slotted screw inside. Flame size can be increased or decreased with the turn of the screw (see Fig. 17 and Fig. 18).
- Adjust flame until you can quickly turn knob from LITE to lowest position without extinguishing the flame. Flame should be as small as possible without extinguishing.

Note: Air mixture adjustments are not required on surface burners.

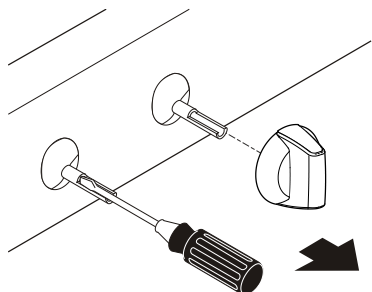


Fig. 17

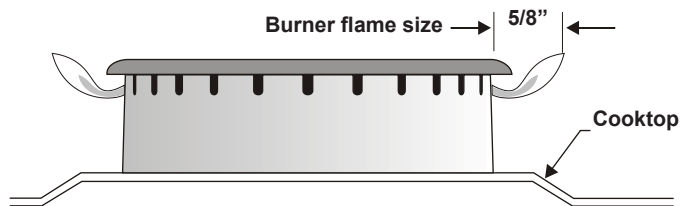


Fig. 18

11. Check ignition of oven burners.

The operation of oven igniters should be checked after range and supply line connectors have been carefully checked for leaks and range has been connected to electric power. Be sure all packing materials and literature are removed from oven.

The oven burner is equipped with an electric control system as well as an electric oven burner igniter. If your model is equipped with an upper oven burner, it will also have an electric burner igniter. These control systems require no adjustment. When the oven is set to operate, current will flow to the igniter. It will "glow" similar to a light bulb. When the igniter has reached a temperature sufficient to ignite gas, the electrically controlled oven valve will open and flame will appear at the oven burner. There is a time lapse from 30 to 60 seconds after the thermostat is turned ON before the flame appears at the oven burner. When the oven reaches the set temperature, the glowing igniter will cycle off. The burner flame will turn off in 20 to 30 seconds after the igniter turns off. To maintain any set oven temperature, this cycle will continue as long as the oven control is set to operate.

To check oven burner ignition:

- Set oven to Bake at 300°F. See User's Manual for operating instructions.
- Within 60 seconds the oven burner should ignite. Check for proper flame, and allow the burner to cycle once. Reset control to OFF.
- If your model is equipped with a waist-high broiler, set oven to Broil. See User's Manual for operating instructions.
- Within 60 seconds the broil burner should ignite. Check for proper flame. Reset control to OFF.

12. Adjust air shutter - lower oven.

To determine if the oven burner flame is proper, remove the oven bottom panel and lower burner baffle (Refer to Fig. 19) and set the oven to Bake at 300°F. The approximate flame length of the lower oven burner should be 1 inch with a distinct inner blue flame.

To remove the lower oven bottom, remove oven bottom hold down screws at rear of oven bottom panel. Pull up at rear, disengage front of oven bottom from oven front frame, and pull the oven bottom out of the oven. Remove lower burner baffle to observe oven burner flame.

If the flame is yellow in color, increase the lower oven air shutter opening size. If the flame is a distinct blue, reduce the air shutter opening size.

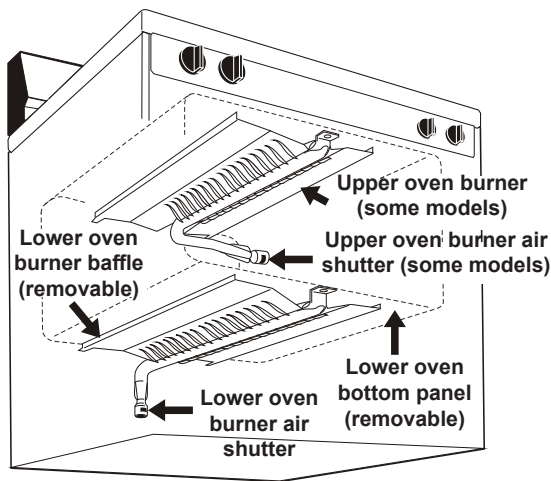


Fig. 19 - oven burner locations

To adjust lower oven air shutter loosen lock screw (See Fig. 20), reposition air shutter, and tighten lock screw. When finished adjusting replace burner baffle and oven bottom panel.

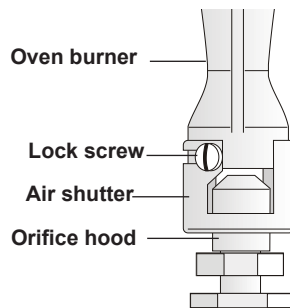


Fig. 20 - typical oven burner air shutter

13. Adjust air shutter - upper oven (some models)

The approximate flame length of the upper (broil) burner should be 1 inch having a distinct inner, blue flame. To determine if the upper broil burner flame is proper, set the oven to **Broil**. If the flame is yellow, increase upper oven air shutter opening size. If the flame is a distinct blue, reduce the air shutter opening size.

To adjust the upper air shutter loosen lock screw (See Fig. 20), reposition air shutter, and tighten lock screw.

14. Make sure range is level.

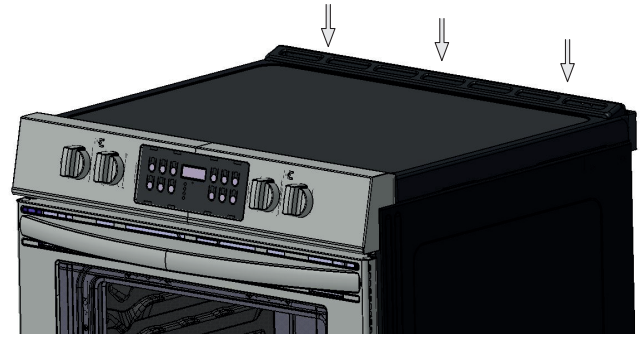
Level the range by placing a level horizontally on an oven rack. Check diagonally from front to back, then level the range by either adjusting the leveling legs or by placing shims under the corners of the range as needed.

Note: After installation is complete, make sure all controls are left in the off position.

15. Install filler trim kit

Note: Installation of the filler trim kit is not required.

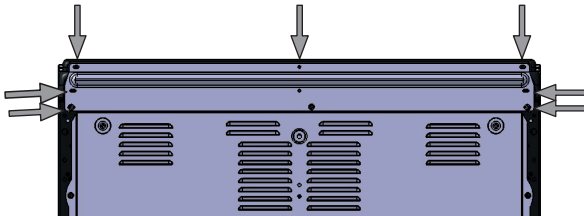
⚠ WARNING Disconnect electrical power to range before beginning installation. Before servicing any part of the appliance, make sure the appliance is off and the surfaces are cool. Attempting to service the appliance while hot may cause burns or other injury.



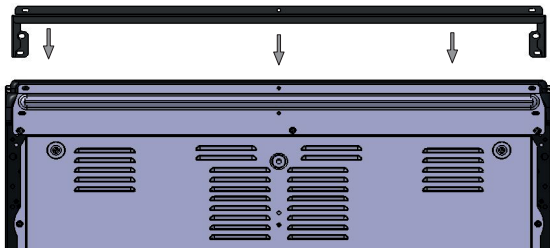
Range with filler trim installed.

Filler Trim Attachment Instructions:

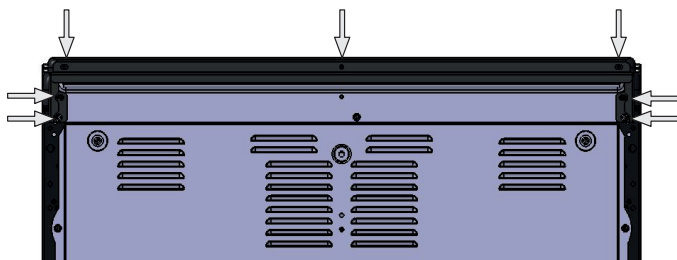
1. Remove the 7 screws on the vent trim on the back.



2. Place the filler trim over the back by lining up the 7 screw holes of the filler trim with the vent trim and tighten screws.



3. When filler trim is secured it will be flush with the top of the range.

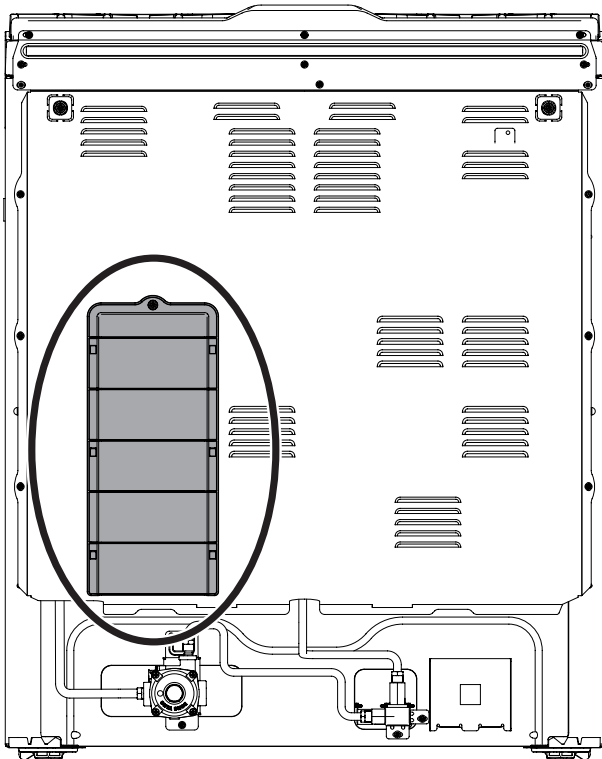


16. Care, Cleaning and Maintenance

Refer to the Use & Care Manual for cleaning instructions.

If removing the range is necessary for cleaning or maintenance, shut off gas supply. Disconnect the gas and electrical supply. If the gas or electrical supply is inaccessible, lift the range slightly at the front and pull out away from the wall. Pull out only as far as necessary to disconnect the gas and electrical supply. Finish removing the range for servicing and cleaning. Reinstall in reverse order making sure to level the range and check gas connections for leaks. Be sure to read and follow step 1 for proper Anti-tip installation.

⚠ WARNING Some models have a cool-air intake vent on the rear of the appliance. Do not block or obstruct this vent.



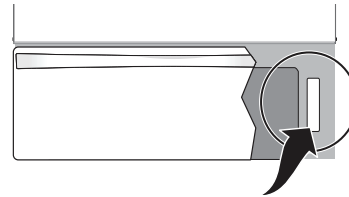
17. Model and Serial Number Location

The serial plate is located on the right-hand surface of the oven front frame at the storage or warmer drawer; or the lower panel area.

When ordering parts for or making inquiries about your range, always be sure to include the model and serial numbers and a lot number or letter from the serial plate on your range.

Your serial plate also tells you the Kilowatt rating (power requirements) and Voltage ratings.

Serial Plate Locations:



Serial plate is located on the lower right front frame of the appliance. Alternate location may be under cooktop.

Before You Call for Service

Read the "Before You Call" and operating instruction sections in your Use & Care Manual. It may save you time and expense. The list includes common occurrences that are not the result of defective workmanship or materials in this appliance.

Refer to the warranty in your Use & Care Manual for our toll-free service number and address. Please call or write if you have inquiries about your range product and/or need to order parts.

NOTICE D'INSTALLATION

CUISINIÈRE À GAZ AUTONOME

L'INSTALLATION ET L'ENTRETIEN DOIVENT ÊTRE RÉALISÉS PAR UN INSTALLATEUR QUALIFIÉ.
IMPORTANT : CONSERVEZ CES INSTRUCTIONS EN PRÉVISION D'UN USAGE ÉVENTUEL PAR L'INSPECTEUR EN ÉLECTRICITÉ DE VOTRE LOCALITÉ. VEUILLEZ LIRE ET CONSERVER CES INSTRUCTIONS POUR VOUS Y REPORTER ULTÉRIEUREMENT.



⚠ AVERTISSEMENT POUR VOTRE SÉCURITÉ : Vous ne devez ni entreposer, ni utiliser d'essence ou d'autres vapeurs ou liquides inflammables à proximité de cet appareil ou de tout autre appareil électroménager.



IMPORTANTES MESURES DE SÉCURITÉ

⚠ AVERTISSEMENT Si les directives contenues dans ce guide ne sont pas suivies à la lettre, un feu ou une explosion pourrait se produire et entraîner des dommages matériels, des blessures, voire la mort.
POUR VOTRE SÉCURITÉ :

— Vous ne devez ni entreposer, ni utiliser d'essence ou d'autres vapeurs ou liquides inflammables à proximité de cet appareil ou de tout autre appareil électroménager.

— QUE FAIRE SI VOUS DÉTECTEZ UNE ODEUR DE GAZ

- Ne mettez pas d'appareil en marche.
- Ne touchez à aucun commutateur électrique; ne vous servez pas du téléphone de la maison.
- En utilisant le téléphone d'un voisin, appelez immédiatement le fournisseur de gaz. Suivez les directives données par votre fournisseur de gaz
- Si vous ne pouvez joindre votre fournisseur de gaz, appelez les pompiers.

— L'installation et l'entretien de cet appareil doivent être réalisés par un installateur qualifié, un technicien de service ou le fournisseur de gaz.

Remarques importantes pour l'installateur

- Lisez toutes les instructions contenues dans ce guide avant de procéder à l'installation de la cuisinière.
- Retirez tout le matériel d'emballage des compartiments du four avant de connecter la cuisinière à l'alimentation en gaz et à l'alimentation en électricité.
- Respectez tous les codes et tous les règlements.
- Assurez-vous de laisser ces instructions à l'utilisateur.

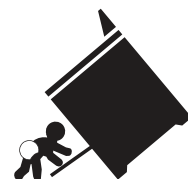
Remarque importante pour l'utilisateur

Conservez ces instructions avec le guide d'utilisation et d'entretien pour vous y reporter ultérieurement.

- Comme pour tout appareil produisant de la chaleur, certaines précautions de sécurité doivent être respectées. Ceux-ci sont répertoriés dans le Guide d'utilisation et d'entretien, lisez-le attentivement.

- Assurez-vous que votre cuisinière est installée et mise à la terre de façon appropriée par un installateur qualifié ou un technicien de service.
- Assurez-vous que les revêtements muraux autour de la cuisinière peuvent supporter la chaleur générée par la cuisinière.
- Pour éliminer le besoin d'atteindre les éléments de surface, l'espace de rangement des armoires au-dessus des éléments devrait être évité.

⚠ AVERTISSEMENT **Risque de basculement**

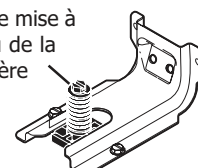


- Un enfant ou un adulte peut faire basculer la cuisinière et en décéder.
- Vérifiez que le dispositif anti-renversement a été fixé au plancher ou au mur.

- Assurez-vous d'enclencher le dispositif anti-renversement lorsque la cuisinière est déplacée sur le plancher ou contre le mur.
- Ne faites pas fonctionner la cuisinière si le dispositif anti-renversement n'est pas en place et enclenché.
- Le non-respect de ces instructions peut causer des blessures fatales ou de graves brûlures aux enfants et aux adultes.



Pied de mise à niveau de la cuisinière



Support anti-renversement

Pour vérifier si le support anti-renversement est correctement installé, attrapez le bord arrière de la cuisinière à deux mains, et essayez doucement de faire basculer la cuisinière vers l'avant. Lorsque le support est correctement installé, la cuisinière ne doit pas basculer vers l'avant.

Reportez-vous aux instructions d'installation du support anti-renversement fournies avec la cuisinière pour vous assurer que l'installation est effectuée de façon appropriée.

IMPORTANTES MESURES DE SÉCURITÉ

Type de gaz approprié

Avant de commencer : Votre cuisinière est pré-réglée en usine pour fonctionner au gaz naturel. Si une conversion au GPL est nécessaire, communiquez avec votre fournisseur de GPL pour obtenir de l'aide.

Il se peut qu'un nécessaire de conversion au GPL se trouve sur le panneau du bas, à l'arrière de la cuisinière. Si ce nécessaire de conversion n'est pas fourni, communiquez avec votre marchand pour obtenir le nécessaire approprié.

- L'installation de cette cuisinière doit être faite conformément aux codes locaux ou, si ce type de code n'existe pas, au code national sur le gaz combustible ANSI Z223.1 (dernière édition si l'appareil est installé aux États-Unis).
- Si la cuisinière est installée dans une maison préfabriquée (maison mobile), l'installation doit être conforme à la norme Manufactured Home Construction and Safety Standard, titre 24 CFR, partie 3280 (anciennement désignée comme la Federal Standard for Mobile Home Construction and Safety, titre 24, HUD [partie 280]) ou, si cette norme ne s'applique pas, l'installation doit être conforme à la norme ANSI/NCSBCS A225.1 de la Standard for Manufactured Home Installations, ou aux codes locaux.
- La conception de cette cuisinière a été approuvée par CSA International. Comme dans le cas de tous les appareils fonctionnant au gaz et produisant de la chaleur, il est nécessaire de suivre certaines règles de sécurité. Vous les trouverez dans le Guide d'utilisation et d'entretien. Lisez-les attentivement.
- Vérifiez que votre cuisinière est installée et mise à la terre de façon appropriée par un installateur qualifié ou un technicien de service.
- Cette cuisinière doit être mise à la terre conformément aux codes locaux ou, en l'absence de tels codes, conformément au National Electrical Code ANSI/NFPA no 70 (dernière édition lorsque l'installation est faite aux États-Unis). Reportez-vous aux instructions de mise à la terre se trouvant à la page 22.
- Avant d'installer la cuisinière dans un endroit recouvert de linoléum ou de tout autre type de revêtement de sol synthétique, assurez-vous que ce revêtement peut supporter une chaleur se situant au moins à 50 °C (90 °F) au-dessus de la température de la pièce sans qu'il ne rétrécisse, ne gauchisse ou ne se décolore. N'installez pas la cuisinière sur de la moquette, à moins

que vous placiez une plaque isolante en contreplaqué d'une épaisseur de 0,6 cm (1/4 po) entre l'appareil et la moquette.

- Assurez-vous que le revêtement des murs qui se trouve autour de la cuisinière peut supporter la chaleur produite par celle-ci.
- N'obstruez pas le débit d'air ni au niveau de l'évent du four, ni autour de sa base. Ne bloquez pas non plus le panneau avant inférieur de la cuisinière. Évitez de toucher aux ouvertures de l'évent ou à la région située près des surfaces, car celles-ci peuvent devenir très chaudes lorsque le four fonctionne. Cette cuisinière nécessite de l'air frais pour permettre une bonne combustion des brûleurs.
- Les rideaux d'air ou autres hottes de cuisinière en hauteur qui projettent de l'air vers la cuisinière en contrebas ne doivent pas être utilisés avec des cuisinières à gaz, sauf si la hotte et la cuisinière ont été conçues, testées et répertoriées par un laboratoire d'essais indépendant et peuvent fonctionner conjointement.

⚠ AVERTISSEMENT N'ESSAYEZ PAS DE FAIRE-FONCTIONNER LE FOUR À ALLUMAGE ÉLECTRIQUE DURANT UNE PANNE D'ÉLECTRICITÉ. REMETTEZ TOUTES LES COMMANDES DU FOUR À LA POSITION « OFF » (ARRÊT) EN CAS DE PANNE D'ÉLECTRICITÉ.

L'allumeur électrique rallumera automatiquement le brûleur du four lorsque l'électricité reviendra, si les commandes du thermostat du four ont été laissées à « ON » (marche).

Lorsqu'une panne d'électricité survient durant l'utilisation, les brûleurs de surface continueront de fonctionner.

Durant une panne d'électricité, les brûleurs de surface peuvent être allumés au moyen d'une allumette. Pour ce faire, tenez une allumette allumée près du brûleur, puis faites tourner lentement le bouton à la position « LITE » (allumage). Faites preuve d'une grande prudence lorsque vous allumez les brûleurs de cette façon.

INSTRUCTIONS D'INSTALLATION 30" CUISINIÈRE À GAZ AUTONOME

⚠ AVERTISSEMENT Ne laissez jamais un enfant seul ou sans surveillance à proximité d'un appareil électroménager en marche. Enseignez aux enfants la manière d'utiliser les appareils électroménagers de façon appropriée et sécuritaire. Ne laissez jamais la porte du four ouverte lorsque celui-ci est laissé sans surveillance.

⚠ AVERTISSEMENT Grimper, s'appuyer ou s'asseoir sur les portes ou les tiroirs de la cuisinière peut causer des blessures graves aux personnes ainsi que des dommages à la cuisinière.

- Ne rangez pas d'articles pouvant intéresser les enfants dans les armoires se situant au-dessus de la cuisinière. En voulant atteindre ces articles, les enfants risqueraient de se brûler gravement.
- Pour éliminer le besoin d'avoir à se pencher au-dessus des brûleurs de surface, vous devriez éviter de ranger des articles dans les armoires situées au-dessus des brûleurs.
- Réglez la flamme du brûleur de surface pour qu'elle ne dépasse pas du bord de l'ustensile de cuisson. Les flammes excessives sont dangereuses.
- N'utilisez pas le four comme espace de rangement. Cela pourrait créer une situation potentiellement dangereuse.
- N'utilisez jamais votre cuisinière pour réchauffer ou chauffer une pièce. Une utilisation prolongée de la cuisinière sans aération adéquate peut s'avérer dangereuse.
- N'entrez pas et n'utilisez pas d'essence ni d'autres liquides et vapeurs inflammables près de la cuisinière ou de tout autre appareil électroménager. Cela pourrait causer des explosions ou des incendies.
- Remettez toutes les commandes à la position « OFF » (arrêt) après avoir utilisé la fonction de programmation de la minuterie.
- Contrairement à celle de certaines cuisinières, la table de cuisson n'est pas amovible. Ne tentez pas de retirer cette table de cuisson.

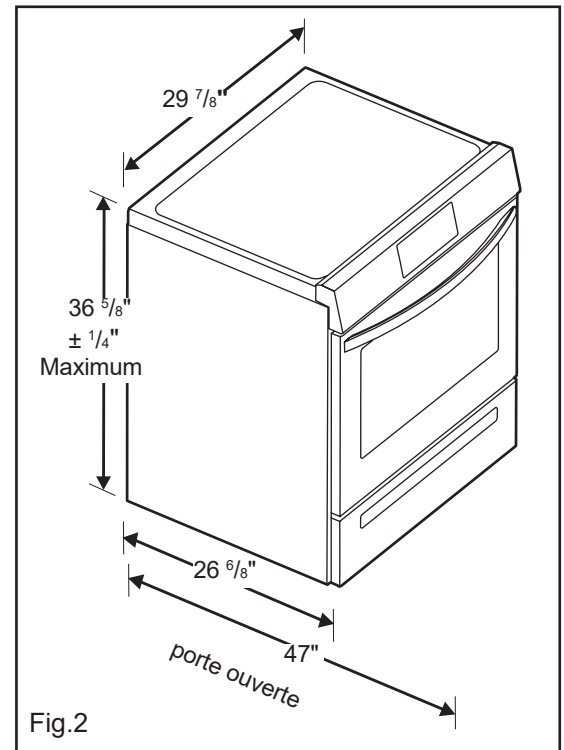
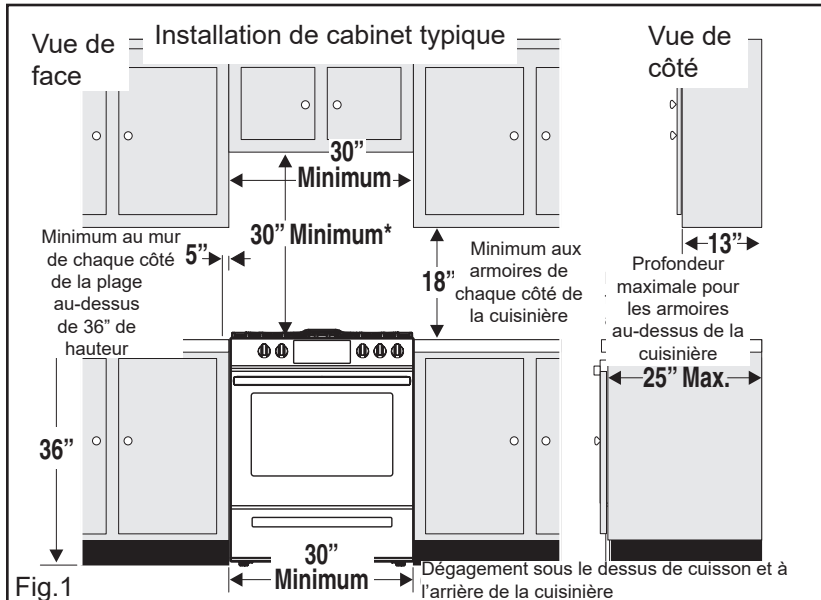
Instructions particulières pour les appareils installés dans l'État du Massachusetts :

Cet appareil ne peut être installé dans l'État du Massachusetts que par un plombier ou un monteur d'installations au gaz qualifié de cet État. Si vous utilisez un raccord de gaz flexible, celui-ci ne doit pas excéder 0,91 m (3 pi) de longueur. Un robinet de gaz manuel en « T » doit être installé à la conduite de gaz qui est branchée à cet appareil.

INSTRUCTIONS D'INSTALLATION 30" CUISINIÈRE À GAZ AUTONOME

1. Dégagements et dimensions

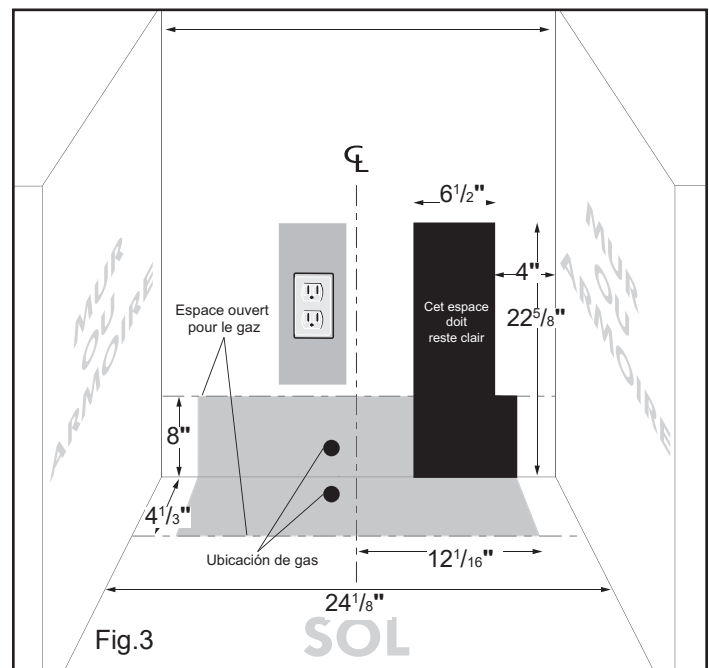
- Prévoyez des dégagements adéquats entre la cuisinière et les surfaces combustibles adjacentes.
- Emplacement: vérifiez l'emplacement où la plage sera installée. Vérifiez l'alimentation électrique et l'alimentation en gaz et la stabilité du sol.
- Les dimensions affichées doivent être utilisées. Les dimensions données fournissent un dégagement minimum. La surface de contact doit être solide and level.



*ESPACE MINIMUM DE 76,2 CM (30") ENTRE LE DESSUS DE LA SURFACE DE CUISSON ET LE DESSUS D'UNE ARMOIRE EN BOIS OU EN MÉTAL NON PROTÉGÉE, OU ESPACE MINIMUM DE 61 CM (24") SI LE FOND DE L'ARMOIRE EN BOIS OU EN MÉTAL EST PROTÉGÉ PAR UN PANNEAU RÉSISTANT AU FEU D'AU MOINS 0,64 CM (1/4") RECOUVERT D'UNE FEUILLE D'ACIER DOUX DONT L'ÉPAISSEUR EST AU MOINS DE 0,038 CM (0,015") SI EN ACIER INOXYDABLE; DE 0,061 CM (0,024") SI EN ALUMINIUM OU DE 0,051CM (0,020") SI EN CUIVRE. AUCUN ESPACE EST REQUIS À L'ARRIÈRE. RESPECTEZ TOUTES LES DIMENSIONS INDIQUÉES CI DESSUS AFIN D'ÉVITER DES DOMMAGES À LA PROPRIÉTÉ, DE CRÉER UN DANGER POTENTIEL D'INCENDIE ET DE FAIRE DES DÉCOUPAGES INCORRECTS DU COMPTOIR ET DE L'ARMOIRE.

POUR ÉLIMINER LE RISQUE DE BRÛLURES OU D'INCENDIE EN ATTEIGNANT LES UNITÉS DE SURFACE CHAUFFÉES, L'ESPACE DE RANGEMENT DE L'ARMOIRE SITUÉ AU-DESSUS DES UNITÉS DE SURFACE DOIT ÊTRE ÉVITÉ. SI LE STOCKAGE DE L'ARMOIRE DOIT ÊTRE FOURNI, LE RISQUE PEUT ÊTRE RÉDUIT EN INSTALLANT UNE HOTTE DE CUISINIÈRE QUI SE PROJETTE HORIZONTALEMENT À UN MINIMUM DE 5 "(127 mm) AU-DESSUS DU FOND DES ARMOIRES.

⚠ WARNING Ne tentez pas d'utiliser les allumeurs électriques du four durant une panne de courant. Remplacez la commande du four à la position arrêt lorsqu'une panne de courant survient. Les allumeurs électriques tenteront de redémarrer le four lorsque le courant reviendra si la



commande a été laissée en marche. Lorsqu'une panne de courant survient, les brûleurs de surface continuent de fonctionner. S'ils ne sont pas en marche, ils peuvent être allumés manuellement. Tenez une allumette allumée près du brûleur et tournez lentement le bouton de ce brûleur à la position LITE. Soyez très prudent.

2. Outils requis

(Porter des lunettes de sécurité lors de l'utilisation d'outils):

Pour les pattes de nivellement et le support anti-bascule:

- Clé à molette ou pringles multiprises (Fig. a)
- 5/16" tournevis à douille ou tournevis à tête plate (Fig. b)
- Perceuse & foret de 1/8 diamètre (Si installer dans le béton, foret de maçonnerie de 5/32") (Fig. c)
- Niveau (Fig. d)

Pour la connexion au gaz:

- Clé à tuyau (Figs. a & e)

Pour l'ajustement de la flamme:

- Tournevis à tête Phillips et à tête plate (Figs. f & g)

Matériel supplémentaire:

- Scellant à joints résistant au gaz propane (Fig. h)
- Valve d'arrêt pour la ligne de gaz (Fig. i)
- Un nouveau conduit flexible pour appareil électroménager design certifié par CSA (1/2" NPT x 3/4" ou 1/2" I.D.). Étant donné que les tuyaux solides restreignent le déplacement de l'appareil, nous recommandons d'utiliser un conduit flexible (4 -5 pieds de long) pour toute nouvelle installation et réinstallation.(Fig. k)

Matériaux fournis avec l'appareil:

- Anti-Tip Modèle (Fig. l)
- Support Anti-Tip; comprend 2 vis de montage (Fig. m)

Outils



Fig. a

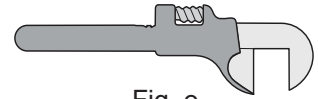


Fig. e

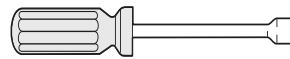


Fig. b



Fig. f

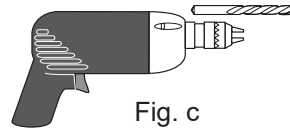


Fig. c



Fig. g

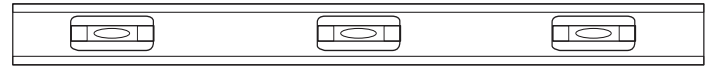


Fig. d

Matériaux



Fig. h

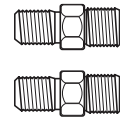


Fig. k



Fig. i

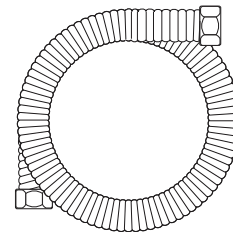


Fig. j

Matériaux fournis avec l'appareil

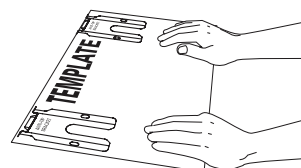


Fig. l

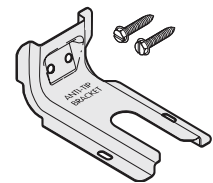


Fig. m

3. Instructions d'installation du support anti-basculement

Avertissement de sécurité important

La cuisinière doit être fixée au plancher pour éviter qu'elle ne se renverse. Ceci se réalise en installant un support anti-bascule à l'aide des vis fournies avec la cuisinière. Si le support n'est pas installé, la cuisinière peut basculer lorsqu'un poids excessif est exercé sur une porte ouverte ou qu'un enfant monte dessus. Des blessures graves peuvent s'ensuivre provenant de la cuisinière elle-même ou du renversement de liquides chauds.

S'il faut déplacer la cuisinière à un autre endroit, le support doit aussi être enlevé et réinstallé au nouvel emplacement.

Les instructions fournies sont prévues pour l'installation dans le bois ou dans le béton, dans le plancher. Lors de l'installation, assurez-vous que les vis ne pénètrent pas dans un câblage électrique ou des accessoires de plomberie.

- A. Situez le support en utilisant le gabarit- (Le support peut être localisé à gauche ou à droite de la cuisinière. Utilisez l'information donnée ci-après pour situer le support si le gabarit n'est pas disponible.) Marquez le plancher ou le mur à l'endroit où le côté gauche ou droit de la cuisinière sera situé. Vous pouvez utiliser la méthode de montage au mur ou au plancher si l'arrière de la cuisinière est appuyé au mur ou pas plus éloigné du mur que 32 mm (1 1/4") après installation. Enlevez la moulure ou fixez le support au plancher si une moulure est installée et ne permet pas au support de s'appuyer fermement sur le mur. Pour un montage contre le mur, situez le support en plaçant la partie arrière du gabarit contre le mur arrière et le bord du gabarit sur la marque faite qui identifie le côté de la cuisinière. Placez le support par-dessus le gabarit et identifiez l'emplacement des trous des vis dans le mur. Fixez le support au plancher si l'arrière de la cuisinière est plus éloigné que 32 mm (1 1/4") du mur après l'installation. Situez le support en plaçant la partie arrière du gabarit à l'endroit où l'arrière de la cuisinière sera localisé pour un montage sur le plancher. Marquez l'emplacement des trous des vis indiqués sur le gabarit.

FIXEZ LE SUPPORT (MONTAGE AU MUR OU AU PLANCHER)

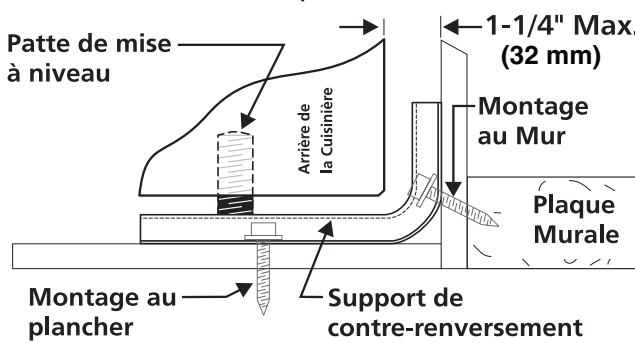


Fig. 4

FIXEZ LE SUPPORT (MONTAGE AU PLANCHER SEULEMENT)

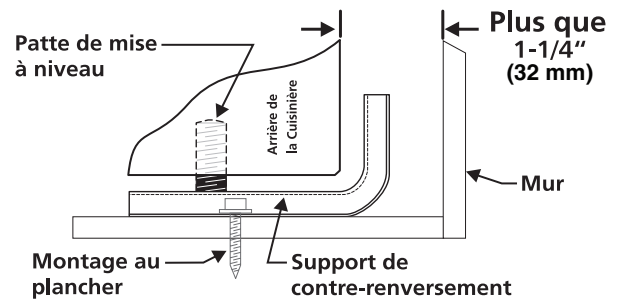


Fig. 5

- B. Percez les trous d'alignement et fixez le support - Percez un trou de 3 mm (1/8") aux endroits où les vis seront localisées. Percez un trou d'alignement à un angle descendant d'approximativement 20° si le support doit être installé sur le mur. Percez un trou d'alignement de 4 mm (5/32") par 44 mm (1-3/4") de profondeur si le support doit être installé dans la maçonnerie ou des planchers de céramique. Les vis fournies peuvent être utilisées dans le bois ou des matériaux en béton. Utilisez un serre écrou ou un tournevis plat afin de fixer le support en place.

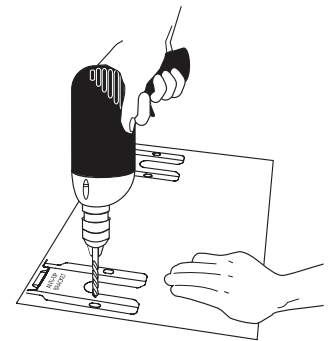


Fig. 6

- C. Mise en place et à niveau de la cuisinière - Mettez la cuisinière à niveau en ajustant les (4) pattes de mise à niveau à l'aide d'une clé à molette. Note : Un espacement minimum de 3 mm (1/8") requis entre le bas de la cuisinière et la patte d'ajustement afin de permettre un espace pour le support. Utilisez un niveau à bulle pour vérifier vos ajustements. Glissez la cuisinière vers sa position. Vérifiez visuellement que la patte de mise à niveau arrière est complètement insérée et fixée dans le support de contre-renversement en retirant le panneau inférieur ou le tiroir de rangement. Saisissez la partie supérieure arrière de la cuisinière et essayez prudemment de la faire basculer vers l'avant, pour les modèles possédant un tiroir-réchaud ou une rôtisserie.

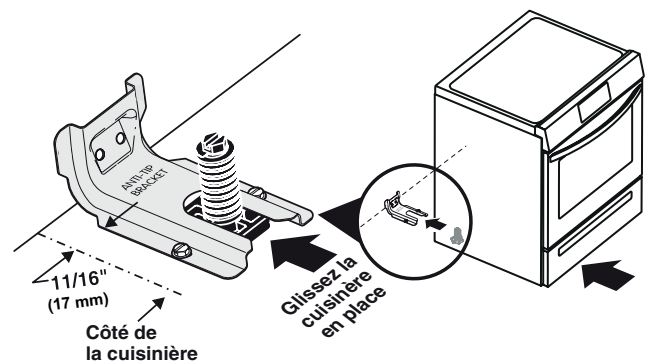


Fig. 7

4. Fournir un approvisionnement en gaz adéquat.

Remarque: pour une utilisation à des altitudes supérieures à 2 000 pieds, la puissance nominale de l'appareil doit être réduite de 4% par tranche de 1 000 pieds au-dessus du niveau de la mer.

Cet appareil est pré-réglé pour fonctionner à une pression de 4 "du gaz naturel. Un régulateur de pression convertible est connecté au collecteur et DOIT être connecté en série avec la conduite d'alimentation en gaz. Si le kit de conversion LP / Propane a été utilisé, suivez les instructions fournies avec le kit pour convertir le régulateur de pression en utilisation LP / Propane. Lors de l'installation de la cuisinière, il faut veiller à ne pas obstruer le flux d'air de combustion et de ventilation.

Pour un fonctionnement correct, la pression d'entrée maximale dans le régulateur ne doit pas dépasser 14 pouces de pression de colonne d'eau. La pression d'entrée dans le régulateur doit être supérieure d'au moins 1 pouce à la pression du manifold du régulateur.

Exemple: si le régulateur est réglé pour une pression de collecteur de 4 pouces de gaz naturel, la pression d'entrée doit être d'au moins 5 pouces; si le régulateur a été converti pour une pression de collecteur de 10 pouces de gaz propane / propane, la pression d'entrée doit être d'au moins 11 pouces.

Le test d'étanchéité de l'appareil doit être effectué conformément aux instructions de l'étape 4g.

La conduite d'alimentation en gaz doit être de 1/2 "ou 3/4" de diamètre intérieur.

5. Sceller les ouvertures dans les murs.

Scellez toutes les ouvertures dans le mur derrière la cuisinière et dans le sol sous la cuisinière après l'installation de la conduite d'alimentation en gaz.

6. Connectez la cuisinière à l'alimentation en gaz.

Remarque: pour éviter les fuites, utilisez un produit d'étanchéité sur les raccords mâles (extérieurs). Ne laissez pas le régulateur de pression de gaz ouvrir le tuyau lors du serrage des raccords.

- a. Installez un robinet d'arrêt de gaz manuel externe sur la conduite d'alimentation en gaz dans un endroit accessible en dehors de la plage. Assurez-vous de savoir où et comment couper l'alimentation en gaz de la cuisinière (voir Fig. 8).
- b. Installer un adaptateur de raccord évasé de 1/2 "sur le régulateur de pression de gaz en n'utilisant pas plus de 15 pi / lb. de couple (voir Fig. 8).

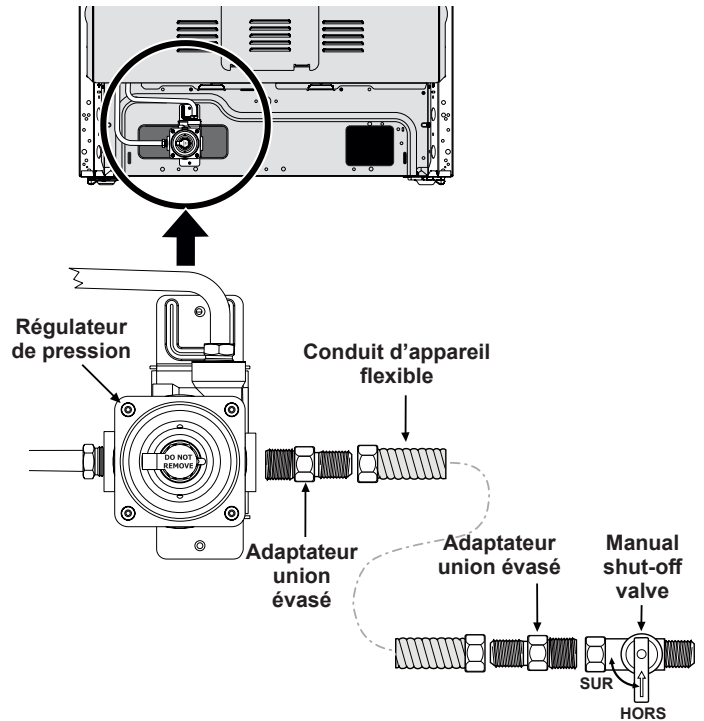


Fig. 8 - raccords de gaz

Assurez-vous de stabiliser le côté gauche du régulateur de pression de gaz avant de serrer tous les raccords sur le régulateur de pression. Ne laissez pas le régulateur de pression ouvrir le tuyau lors du serrage des raccords (voir Fig. 9).

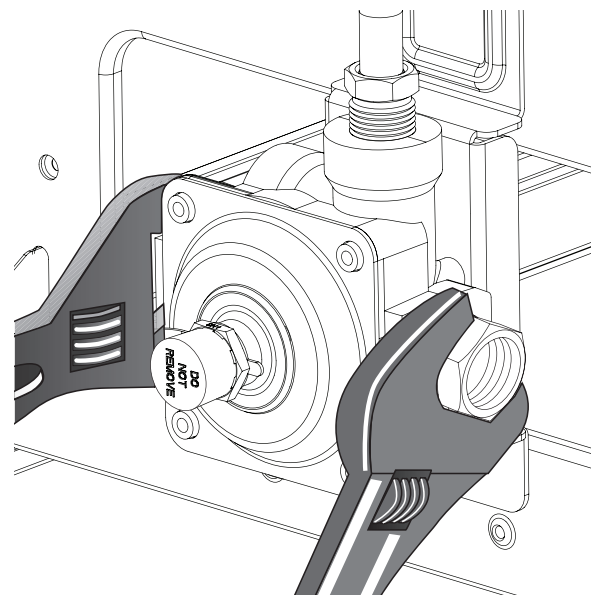


Fig. 9

INSTRUCTIONS D'INSTALLATION 30" CUISINIÈRE À GAZ AUTONOME

- c. Serrez le raccord de l'alimentation en gaz et / ou le conduit de l'appareil sur l'adaptateur de raccord de torche situé sur le côté droit du régulateur de pression (voir Fig. 10) en utilisant AU PLUS QUE 15 pi / lb. de couple. Assurez-vous de stabiliser l'adaptateur de raccord évasé de 1/2" avec une clé à molette avant de serrer le raccord d'alimentation en gaz et / ou le conduit de l'appareil.

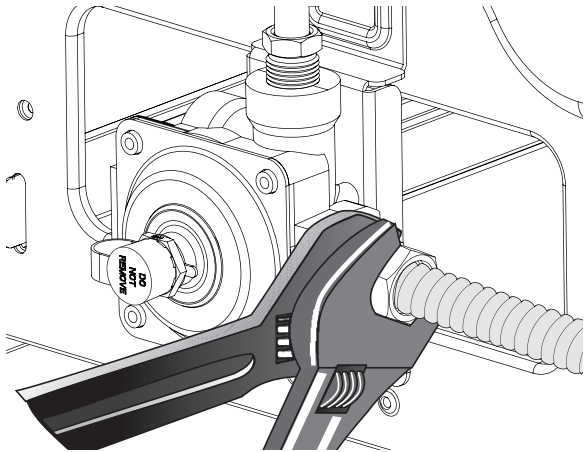


Fig. 10

- d. Installez l'adaptateur de raccord évasé sur la vanne d'arrêt manuelle externe (voir fig. 8).
- e. Fixez le conduit flexible de l'appareil à l'adaptateur de raccord à fusée sur la vanne d'arrêt (voir fig. 8).
- f. Assurez-vous que la vanne d'arrêt de service du régulateur de pression est réglée sur ON (voir fig. 11).

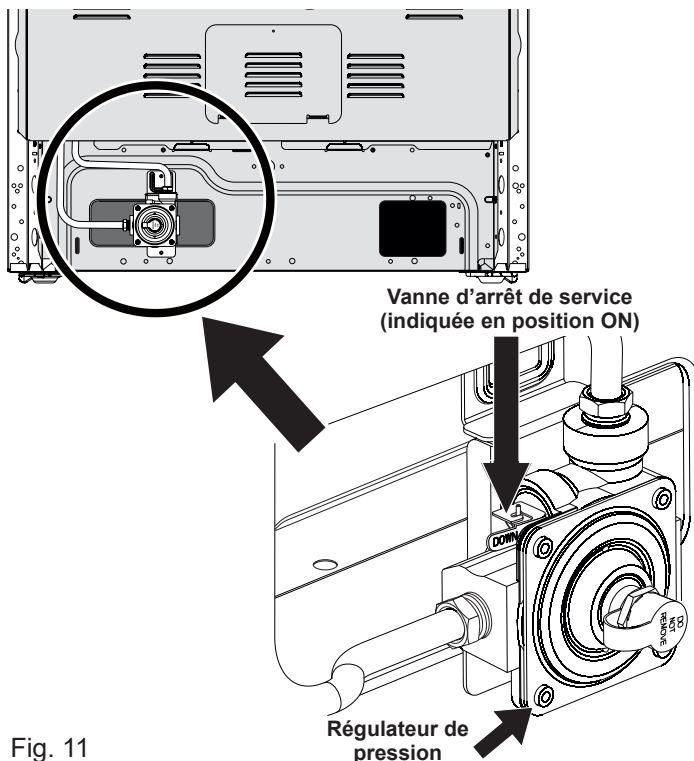


Fig. 11

- g. Vérifiez les fuites de gaz. Ouvrez l'alimentation en gaz de la cuisinière et utilisez un détecteur de fuite de liquide au niveau de tous les joints et conduits pour détecter les fuites éventuelles dans le système.

Vérifier la pression de gaz au collecteur

⚠ AVERTISSEMENT N'utilisez pas de flamme pour détecter les fuites de gaz.

Débranchez la cuisinière et son robinet d'arrêt de la canalisation de gaz si la vérification de la pression de l'alimentation en gaz indique une pression qui dépasse 35,6 cm (14 po) à la colonne d'eau, soit environ 3,54 kPa (1/2 lb/po²).

L'appareil doit être isolé de la canalisation de gaz en fermant son robinet d'arrêt manuel si la vérification de la pression de la canalisation de gaz indique une pression égale ou inférieure à 35,6 cm (14 po) à la colonne d'eau, soit environ 3,54 kPa (1/2 lb/po²).

S'il s'avère nécessaire de vérifier la pression de gaz au collecteur, branchez un manomètre (hydromètre) ou un autre appareil de vérification de pression au gicleur du brûleur de surface arrière droit. Tenez un tuyau en caoutchouc d'environ 0,6 cm (1/4 po) de diamètre intérieur relié à l'appareil de vérification, bien serré contre le gicleur. Ouvrez la soupape du brûleur.

Pour obtenir une vérification précise de la pression, faites fonctionner au moins deux (2) autres brûleurs de surface pendant la vérification. Assurez-vous que la pression d'alimentation en gaz (pression d'admission) est supérieure d'au moins 2,5 cm (1 po) à la pression du collecteur. La pression de l'alimentation en gaz ne doit jamais être supérieure à 35,6 cm (14 po) à la colonne d'eau. La pression au collecteur est de 10,2 cm (4 po) lorsque celle-ci est ajustée de façon appropriée pour le gaz naturel. Pour le gaz propane/GPL, la pression au collecteur doit être de 25,4 cm (10 po).

7. Lire les consignes suivantes sur le branchement électrique avant de brancher la cuisinière.

⚠ AVERTISSEMENT Avant d'effectuer une réparation, débranchez l'alimentation électrique au niveau du disjoncteur, du fusible ou du cordon d'alimentation.

Exigences concernant l'électricité :

Circuit de dérivation séparé mis à la terre et polarisé correctement protégé par un disjoncteur de 15 A ou un fusible temporisé. Reportez-vous à la plaque signalétique pour connaître la tension appropriée.

Précautions à prendre concernant l'utilisation d'une rallonge :

En raison du danger potentiel que peuvent représenter les rallonges dans certaines situations, nous déconseillons fortement leur utilisation. Toutefois, si vous choisissez tout de même d'utiliser une rallonge, il est absolument nécessaire que celle-ci soit **une rallonge pour électroménagers à trois broches avec mise à la terre homologuée UL** et que le courant nominal de la rallonge soit équivalent ou supérieur au courant nominal du circuit de dérivation. Ce type de rallonge est disponible au service après-vente de votre région.

⚠ WARNING Veuillez lire attentivement ces instructions! Pour des raisons de sécurité, ce produit doit être correctement mis à la terre.

Ne coupez et ne retirez jamais, en aucune circonstance, la troisième broche (mise à la terre) du cordon d'alimentation (voir fig. 12).

Si la prise murale ne possède que deux alvéoles, il vous revient de la faire remplacer par une prise murale à trois alvéoles mise à la terre correctement.

Méthode recommandée

Prise murale avec mise à la terre

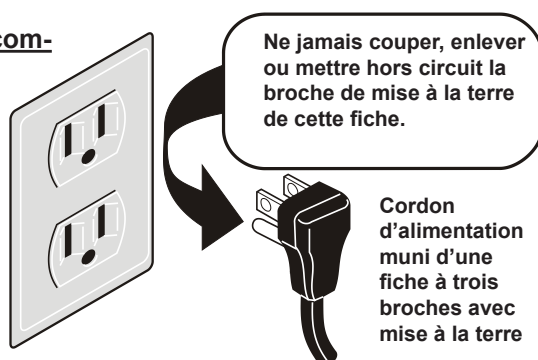


Fig. 12

Instructions de mise à la terre :

Le cordon d'alimentation de cet appareil est muni d'une fiche à trois broches (mise à la terre) qui correspond aux prises murales à trois alvéoles qui réduisent les risques de chocs électriques causés par cet appareil. L'utilisateur devrait faire vérifier la prise murale et le circuit par un électricien qualifié pour s'assurer que la prise est mise à la terre et polarisée de façon appropriée.

8. Vérifier le positionnement du chapeau de brûleur

Il est très important de vérifier que tous les chapeaux et toutes les grilles des brûleurs de surface sont correctement installés et se trouvent au bon endroit avant d'utiliser l'appareil. La table de cuisson n'est pas amovible. N'essayez pas de soulever ou d'enlever la table de cuisson.

⚠ WARNING Pour éviter les poussées de flammes ou la création de sous-produits dangereux, n'utilisez pas la surface de cuisson si les chapeaux des brûleurs ne sont pas bien installés, ceci afin d'assurer un allumage adéquat et une bonne dimension de la flamme.

Laissez toujours les chapeaux et les têtes de brûleur en place lorsque les brûleurs de surface sont utilisés. Ne laissez pas de renversements, de nourriture, de produits de nettoyage ni d'autres produits pénétrer dans l'ouverture du porte-gicleur.

Vérifiez que chaque brûleur est doté du chapeau approprié. Vérifiez que tous les chapeaux de brûleur ronds sont bien placés sur des têtes de brûleur ronds.

Vérifiez que tous les chapeaux de brûleur ovales sont bien placés sur des têtes de brûleur ovales (le cas échéant). Vérifiez que tous les chapeaux de brûleur doubles ou jumeaux sont bien placés sur des têtes de brûleur doubles ou jumelles (le cas échéant).

Sur les brûleurs ronds, la lèvres du chapeau du brûleur (voir fig. 13) doit s'adapter au gicleur au centre de la tête de brûleur et être de niveau. Reportez-vous aux figures 14 et 15 pour le positionnement correct et incorrect du chapeau du brûleur.

Vous pouvez vérifier l'installation en faisant doucement glisser latéralement le chapeau du brûleur (fig. 16) pour vous assurer qu'il est bien centré et bien assis. Le chapeau du brûleur NE DEVRAIT PAS sortir hors du centre de la tête du brûleur lors du déplacement latéral.

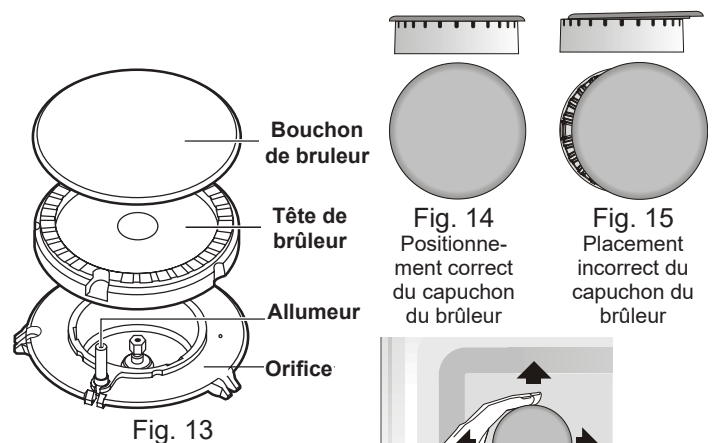


Fig. 13

Fig. 16

9. Vérifiez l'allumage des brûleurs de surface.

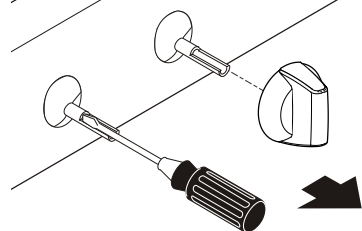
Après vous être assuré que la cuisinière et les raccords de la conduite d'alimentation ne présentent aucune fuite, branchez la cuisinière à l'alimentation en électricité et vérifiez le fonctionnement des allumeurs électriques.

- Pour vérifier l'allumage, **poussez et tournez** le bouton de l'un des brûleurs de surface **dans le sens contraire des aiguilles d'une montre** et mettez-le à la position LITE (allumage). Vous entendrez alors l'allumeur produire des étincelles.
- Le brûleur de surface devrait s'allumer lorsque le gaz se rend à son niveau. Faites sortir l'air qui se trouve dans les conduites d'alimentation en laissant le bouton à la position LITE (allumage) jusqu'à ce que le brûleur s'allume. Chaque brûleur devrait s'allumer en l'espace de 4 secondes dans le cas d'un fonctionnement normal après avoir fait sortir l'air qu'il y avait dans les conduites d'alimentation
- Vérifiez si le brûleur s'est allumé. Une fois que le brûleur s'est allumé, le bouton de commande devrait être retiré de la position « LITE » (allumage).
- Essayez le bouton de chaque brûleur de surface jusqu'à ce que ces derniers aient tous été vérifiés. Chaque brûleur est muni d'une électrode distincte.

10. Régler les soupapes des brûleurs de surface à la position LOW (bas)(débit linéaire).

Vérifier si le réglage faible « LOW » doit être ajusté :

- Appuyez sur le bouton de commande et tournez-le à la position « LITE » (allumage) jusqu'à ce que le brûleur s'allume.
- Appuyez sur le bouton de commande et tournez-le rapidement à la position la plus basse (« LOW »).
- Si le brûleur s'éteint, remettez le bouton à « OFF » (arrêt).
- Retirez le bouton de commande du brûleur de surface.
- Insérez un tournevis à lame étroite dans la tige creuse du robinet et tournez la vis à l'intérieur. La hauteur de la flamme peut être augmentée ou diminuée par le réglage de cette vis. Tournez vers la gauche pour augmenter la hauteur de la flamme (fig. 17 et fig. 18).
- Ajustez la flamme jusqu'à ce que le bouton de commande puisse être tourné rapidement de la position « LITE » (Allumage) à la position la plus basse (« LOW ») sans que la flamme s'éteigne. La flamme doit être aussi petite que possible sans s'éteindre.



Remarque :Le réglage du mélange d'air n'est pas requis pour les brûleurs de surface..

Fig. 17

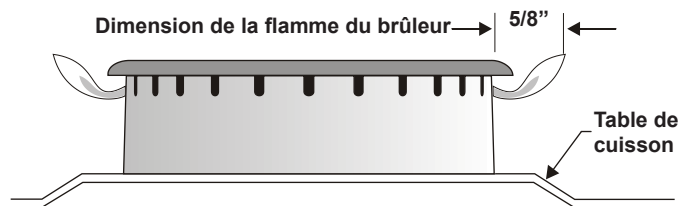


Fig. 18

11. Vérifier l'allumage des brûleurs du four.

Après avoir vérifié que la cuisinière et les raccords de la conduite d'alimentation ne présentent aucune fuite, branchez la cuisinière à l'alimentation en électricité et vérifiez le fonctionnement des allumeurs électriques. Vérifiez que tous les matériaux d'emballage et la documentation ont été retirés du four.

Le brûleur du four est muni d'un système de commande électrique ainsi que d'un allumeur électrique. Si votre modèle est muni d'un brûleur de four supérieur, votre appareil est aussi équipé d'un allumeur électrique. Ces systèmes de commande ne nécessitent aucun réglage. Lorsque le four est prêt à fonctionner, le courant se rendra jusqu'à l'allumeur. Celui-ci « brillera » un peu comme une ampoule. Lorsque l'allumeur a atteint une température suffisante pour permettre d'allumer le gaz, la soupape du four à commande électrique s'ouvrira et fera apparaître une flamme au niveau du brûleur du four. Il peut s'écouler de 30 à 60 secondes après la mise en marche du thermostat avant que la flamme apparaisse au niveau du brûleur du four. Lorsque le four aura atteint la température désirée, l'allumeur s'éteindra. La flamme du brûleur s'éteindra dans une période allant de 20 à 30 secondes après que l'allumeur se sera arrêté. Afin de maintenir la température désirée, ce cycle continuera aussi longtemps que la commande du four sera réglée pour fonctionner.

Pour vérifier l'allumage du brûleur du four :

- Réglez le four sur Bake (cuisson au four) à une température de 149 °C (300 °F). Pour connaître les instructions d'utilisation, reportez-vous au Guide de l'utilisateur.
- Le brûleur du four devrait s'allumer en l'espace de 60 secondes. Vérifiez la qualité de la flamme, puis laissez le brûleur effectuer un cycle. Éteignez les commandes.
- Si votre modèle est muni d'un brûleur de grill situé à hauteur de la taille, réglez votre four à Broil (gril). Pour connaître les instructions d'utilisation, reportez-vous au Guide de l'utilisateur.
- Le brûleur du grill devrait s'allumer en l'espace de 60 secondes. Vérifiez la qualité de la flamme. Éteignez les commandes.

12. Régler l'obturateur d'air du brûleur inférieur du four

Pour déterminer si la flamme du brûleur du four est correcte, enlevez la sole du four et le déflecteur (voir fig. 19), puis réglez le four à Bake (cuisson au four) à une température de 149 °C (300 °F). La flamme du brûleur inférieur du four doit mesurer environ 2,5 cm (1 po) (flamme intérieure distincte de couleur bleu franc).

Pour enlever la sole du four, retirez les vis de retenue qui se situent à l'arrière de la sole du four. Tirez par l'arrière vers le haut, désengagez l'avant de la sole du four du cadre avant du four, puis enlevez la sole du four. Enlevez le déflecteur du bas pour voir la flamme du brûleur du four.

Si la flamme est de couleur jaune, agrandissez l'ouverture de l'obturateur d'air du bas. Si la flamme est de couleur bleu franc, réduisez l'ouverture de l'obturateur d'air.

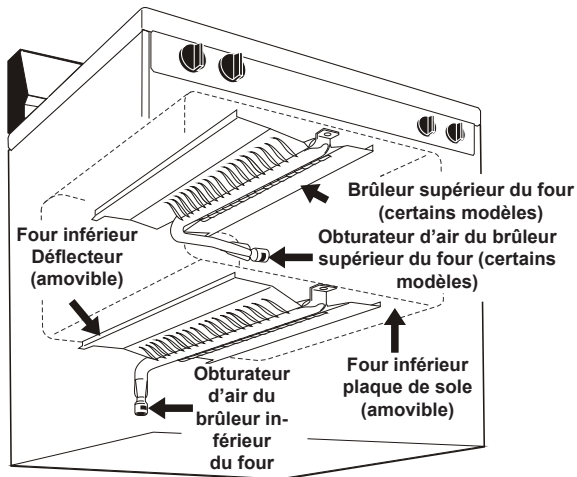


Fig. 19 - Emplacement des brûleurs du four

Pour régler l'obturateur d'air du bas, desserrez la vis de blocage (fig. 20), ajustez l'obturateur d'air, puis resserrez la vis de blocage. Une fois terminé, remettez le déflecteur et la plaque de sole du four en place.

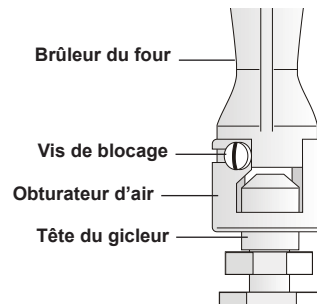


Fig.20 - Obturateur d'air du brûleur du four

13. Régler l'obturateur d'air du brûleur supérieur du four (certains modèles).

La flamme du brûleur supérieur du four doit mesurer environ 2,5 cm (1 po) (flamme intérieure distincte de couleur bleu franc). Pour déterminer si la flamme du brûleur supérieur du four est correcte, allumez le gril. Si la flamme est jaune, agrandissez l'ouverture de l'obturateur d'air du haut du four. Si la flamme est de couleur bleu franc, réduisez l'ouverture de l'obturateur d'air.

Pour régler l'obturateur d'air du haut, desserrez la vis de blocage (fig. 20), ajustez l'obturateur d'air, puis resserrez la vis de blocage.

14. Vérifier que le four est de niveau.

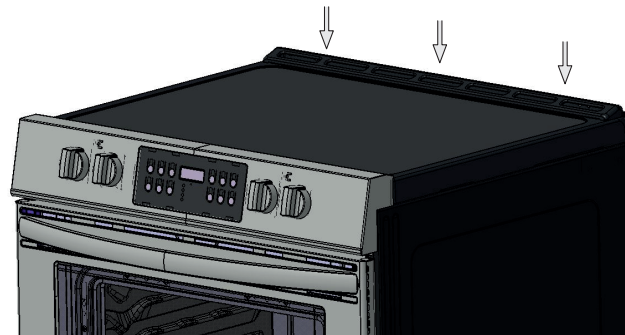
Mettez le four à niveau en plaçant un niveau à l'horizontale sur une grille du four. Vérifiez en diagonale de l'avant vers l'arrière, puis mettez la cuisinière à niveau soit en ajustant les pieds de mise à niveau, soit en plaçant des cales au besoin sous les coins de la cuisinière.

Remarque :Après avoir terminé l'installation, assurez-vous que toutes les commandes sont à la position « OFF » (arrêt).

15. Installer le kit de garniture de remplissage de remplissage

Remarque: l'installation du kit de garniture de remplissage n'est pas nécessaire.

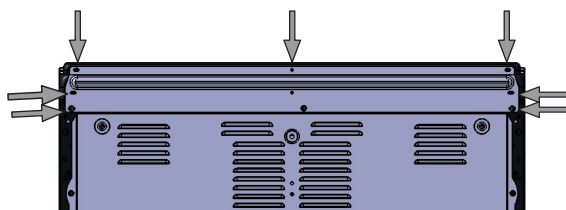
⚠ AVERTISSEMENT Coupez l'alimentation électrique de la cuisinière avant de débiter l'installation. Avant de réparer les pièces de la cuisinière, assurez-vous qu'elle est éteinte et que ses surfaces sont froides. Si vous tentez de la réparer tandis qu'elle n'a pas refroidi, vous risquez de vous brûler ou de vous blesser de quelque autre façon.



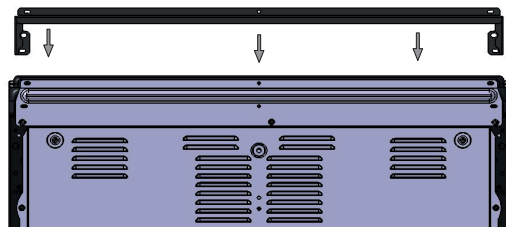
Cuisinière avec entretoise arrière montée.

Instructions de fixation de l'entretoise :

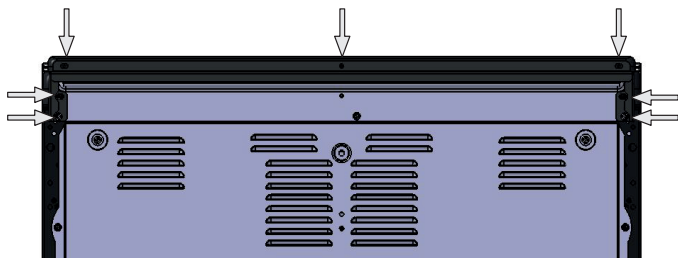
1. Retirez les 7 vis de la garniture de ventilation à l'arrière.



2. Placez la garniture de remplissage sur le dos en alignant les 7 trous de vis de la garniture de remplissage avec la garniture de ventilation et serrez les vis.



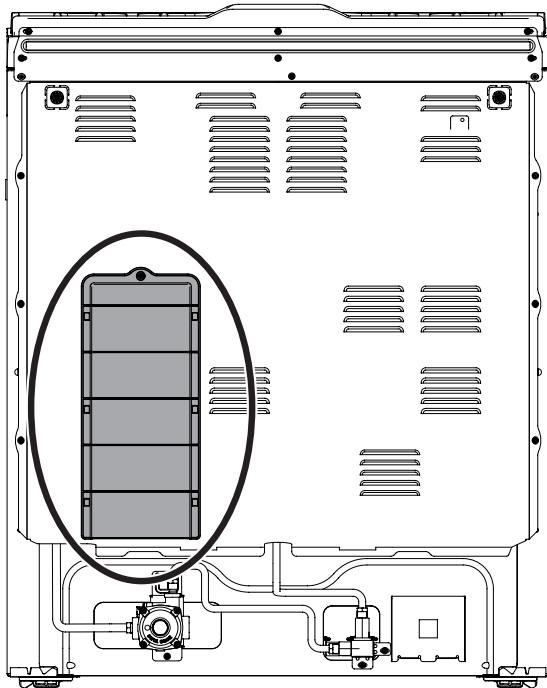
3. Lorsque la garniture de remplissage est fixée, elle sera alignée avec le haut de la plage.



16. Entretien, nettoyage et entretien

Reportez-vous au Guide de l'utilisateur pour obtenir des instructions de nettoyage détaillées. Si le déplacement de la cuisinière est nécessaire pour effectuer le nettoyage et l'entretien, fermez l'alimentation en gaz. Débranchez l'alimentation en gaz et en électricité. Si l'alimentation en gaz ou en électricité est inaccessible, soulevez légèrement la cuisinière par l'avant et tirez-la vers vous pour l'éloigner du mur. Tirez la cuisinière seulement sur la distance nécessaire pour permettre de débrancher l'alimentation en gaz et en électricité. Finissez de déplacer la cuisinière pour effectuer l'entretien et le nettoyage. Réinstallez l'appareil en suivant l'ordre inverse tout en vous assurant de mettre le four à niveau et de vérifier si les raccords d'alimentation en gaz présentent des fuites. Assurez-vous de lire et de suivre l'étape 1 pour bien installer le dispositif anti-renversement.

⚠ AVERTISSEMENT Certains modèles disposent d'un évent d'admission d'air frais à l'arrière de l'appareil. Ne pas bloquer ou obstruer cette ventilation.



Avant de faire appel au service après-vente

Lisez la section « Avant de faire appel au service après-vente » et les instructions d'utilisation qui se trouvent dans le Guide d'utilisation et d'entretien. Cela pourrait vous faire économiser temps et argent. Cette liste décrit des situations courantes qui ne sont causées ni par un défaut de fabrication ni par un matériau défectueux.

Consultez la page de garantie de votre Guide d'utilisation et d'entretien pour connaître notre numéro sans frais et notre adresse. Veuillez nous appeler ou nous écrire si vous avez des questions à propos de votre cuisinière et/ou si vous désirez commander des pièces.

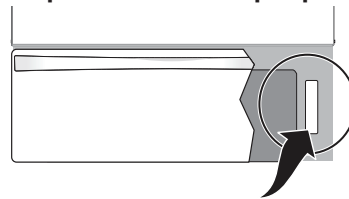
17. Emplacement du modèle et du numéro de série

La plaque signalétique est située sur la surface droite du cadre avant du four au niveau du tiroir de rangement ou du réchauffeur; ou la zone du panneau inférieur.

Lorsque vous commandez des pièces ou que vous posez des questions sur votre cuisinière, assurez-vous d'inclure les numéros de modèle et de série et un numéro de lot ou une lettre de la plaque signalétique de votre cuisinière.

Votre plaque signalétique vous indique également la puissance nominale (Kilowatt) et la tension nominale.

Emplacements des plaques de série:



La plaque de série est située sur le cadre avant inférieur droit de l'appareil. L'emplacement alternatif peut être sous la table de cuisson.

INSTRUCCIONES DE INSTALACIÓN

ESTUFA A GAS

LA INSTALACIÓN Y EL SERVICIO DEBEN SER EFECTUADOS POR UN INSTALADOR CALIFICADO. IMPORTANTE: GUARDE ESTAS INSTRUCCIONES PARA USO DEL INSPECTOR LOCAL DE ELECTRICIDAD. LEA Y GUARDE ESTAS INSTRUCCIONES PARA REFERENCIA FUTURA.



! ADVERTENCIA PARA SU SEGURIDAD: No almacene ni utilice gasolina u otros vapores y líquidos inflamables en la proximidad de este o de cualquier otro artefacto.



INSTRUCCIONES IMPORTANTES DE SEGURIDAD

! ADVERTENCIA Si la información contenida en este manual no es seguida exactamente, puede ocurrir un incendio o una explosión causando daños materiales, lesión personal o la muerte. **PARA SU SEGURIDAD:**

- No almacene ni utilice gasolina u otros vapores y líquidos inflamables en la proximidad de éste o de cualquier otro artefacto.
- **QUE DEBE HACER SI PERCIBE OLOR A GAS:**
 - No trate de encender ningún artefacto.
 - No toque ningún interruptor eléctrico; no use ningún teléfono en su edificio.
 - Llame a su proveedor de gas desde el teléfono de un vecino. Siga las instrucciones del proveedor de gas.
 - Si no logra comunicarse con su proveedor de gas, llame al departamento de bomberos.
- La instalación y el servicio de mantenimiento deben ser efectuados por un instalador calificado, la agencia de servicio o el proveedor de gas.

Notas importantes para el instalador

- Lea todas las instrucciones antes de instalar la cocina.
- Retire todo material de empaquetado del horno y de la gaveta de entibiado antes de conectar el suministro eléctrico a la cocina.
- Observe todo código o reglamento.
- Asegúrese de dejar estas instrucciones con el consumidor

Nota importante para el consumidor

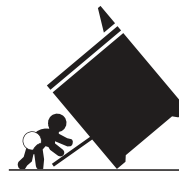
Mantenga estas instrucciones con el manual del usuario para futuras referencias

- Al igual que con cualquier electrodoméstico que genere calor, existen ciertas precauciones de seguridad que usted debe seguir. Tales precauciones se encuentran en la Guía de Uso y Cuidado, léala atentamente.

- Asegúrese de que la estufa esté bien instalada y sea puesta a tierra en forma debida por un instalador calificado o un técnico de servicio.
- Asegúrese de que el revestimiento de la pared alrededor de la estufa pueda resistir el calor generado por la estufa.
- Para eliminar la necesidad de tener que pasar sobre los elementos, se recomienda no instalar armarios arriba los elementos de la cubierta de la estufa.

! ADVERTENCIA

Riesgo de volcamiento

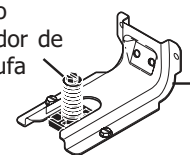


- Un niño o adulto puede volcar la estufa y acabar muerto.
- Verifique que se haya instalado el dispositivo antivuelco en el piso o en la pared.

- Asegúrese de que el dispositivo antivuelco se haya reacomplado cuando mueva la estufa sobre el piso o a la pared.
- No utilice la estufa sin el dispositivo antivuelco instalado y acoplado.
- Si no se siguen estas instrucciones, se puede provocar la muerte o quemaduras graves en niños y adultos.



Tornillo nivelador de la estufa



Soporte antivuelco

Para verificar si el soporte antivuelco está instalado correctamente, sostenga el borde trasero de la parte trasera de la estufa usando ambos brazos. Intente inclinar la estufa hacia adelante con cuidado. Si está instalada correctamente, la estufa no debería inclinarse hacia adelante.

Consulte las instrucciones de instalación del soporte antivuelco proporcionadas con la estufa para instalarlo adecuadamente.

INSTRUCCIONES IMPORTANTES DE SEGURIDAD

Proporcionar el tipo de combustible adecuado

Antes de continuar: su rango viene preajustado de fábrica para operar con gas natural. Si se necesita la conversión de L.P., contacte a su proveedor local de L.P. Gas para asistencia.

El kit de conversión L.P. puede estar ubicado en el panel posterior inferior del rango. Si no se proporciona un juego de L.P., contacte al distribuidor de su producto para obtener el kit de conversión L.P.

- Instalación de esta estufa debe cumplir con todos los códigos locales, o en ausencia de códigos locales con el Código Nacional de Gas Combustible ANSI Z223.1/NFPA .54—última edición o CAN/CGA-B149.1 and CAN/CGA-B149.2 standards.
- Si la cocina se instala en una casa móvil (caravana), la instalación deberá realizarse de acuerdo a los estándares de seguridad Manufactured Home Construction and Safety Standard (Estándar de seguridad y construcción de casa prefabricadas), Título 24 CFR, Sección 3280 [anteriormente denominada Federal Standard for Mobile Home Construction and Safety (Estándar federal para seguridad y construcción de casas prefabricadas), Título 24, HUD (Sección 280)] o, en caso de que dicho estándar no sea aplicable, deberá seguirse la norma marcada por el Standard for Manufactured Home Installations, ANSI/NCSBCS A225.1, o bien, toda la normativa legal existente referente a casas móviles en el Estados Unidos o en el Canadá por el estándar ANSI Z225.1/NFPA 501A-latest edición, o CAN/CSA-Z240MH
- El diseño de esta estufa ha sido certificado por la CSA Grupo. En éste como en cualquier otro artefacto que use gas y genere calor, hay ciertas precauciones de seguridad que usted debe seguir. Estas serán encontradas en el [Manual del Usuario](#), léalo cuidadosamente.
- Asegúrese de que la estufa sea instalada y conectada a tierra en forma apropiada por un instalador calificado o por un técnico.
- Esta estufa debe ser eléctricamente puesta a tierra de acuerdo con los códigos locales, o en su ausencia, con el Código Eléctrico Nacional ANSI/NFPA No. 70, última edición en el Estados Unidos o por el estándar de CSA, C22.1, Canadian Electrical Code, Part 1 en el Canadá. Vea las instrucciones para la puesta a tierra página 35..

- Antes de instalar la estufa en un área cuyo piso este recubierto con linóleo u otro tipo de piso sintético, asegúrese de que éstos puedan resistir una temperatura de por lo menos 90°F sobre la temperatura ambiental sin provocar encogimiento, deformación o decoloración. No instale la estufa sobre una alfombra al menos que coloque una plancha de material aislante de por lo menos 1/4 pulgada, entre la estufa y la alfombra.
- Asegúrese de que el material que recubre las paredes alrededor de la estufa, pueda resistir el calor generado por la estufa.
- No obstruya el flujo del aire de combustión en la ventilación del horno ni tampoco alrededor de la base o debajo del panel inferior delantero de la estufa. Evite tocar las aberturas o áreas cercanas de la ventilación, ya que pueden estar muy calientes durante el funcionamiento del horno. La estufa requiere aire fresco para la combustión apropiada de los quemadores.
- No se deben usar las cortinas de aire o cualquier otra campana de ventilación superior que sople aire hacia abajo sobre la estufa a gas a menos que la campana de ventilación y la estufa hayan sido diseñadas, probadas y certificadas por un laboratorio de pruebas independiente para el uso combinado de la una con la otra.

⚠ ADVERTENCIA NO INTENTE ENCENDER EL HORNO DE IGNICIÓN ELÉCTRICA DURANTE UN APAGÓN DE LUZ. COLOQUE TODOS LOS CONTROLES EN LA POSICIÓN DE “APAGADO” CUANDO SE PRODUZCAN SITUACIONES DE ESTE TIPO.

El encendedor eléctrico, volverá a encenderse automáticamente al volver a conectarse el suministro de energía eléctrica tras un apagón si se han dejado los controles en la posición de “ENCENDIDO”.

Si se produce un apagón eléctrico cuando esté utilizando la aplicación, los quemadores de superficie continuarán en funcionamiento y podrá encenderlos con una cerilla.

Coloque una cerilla encendida al lado del quemador y, a continuación, gire lentamente el mando hasta colocarlo en a posición LITE de encendido. Extreme las precauciones la encender el quemador de este modo

INSTRUCCIONES DE INSTALACIÓN DE CONTROL DE FRENO DE GAS DE 30“

⚠️ ADVERTENCIA Nunca deje niños solos o desatendidos en un área donde un artefacto está siendo usado. A medida que los niños crecen, enséñeles el uso apropiado y de seguridad para todos los artefactos. Nunca deje la puerta del horno abierta cuando la estufa está desatendida.

⚠️ ADVERTENCIA No se pare, apoye o siente en las puertas o cajones de esta estufa pues puede resultar en serias lesiones y puede también causar daño a la estufa.

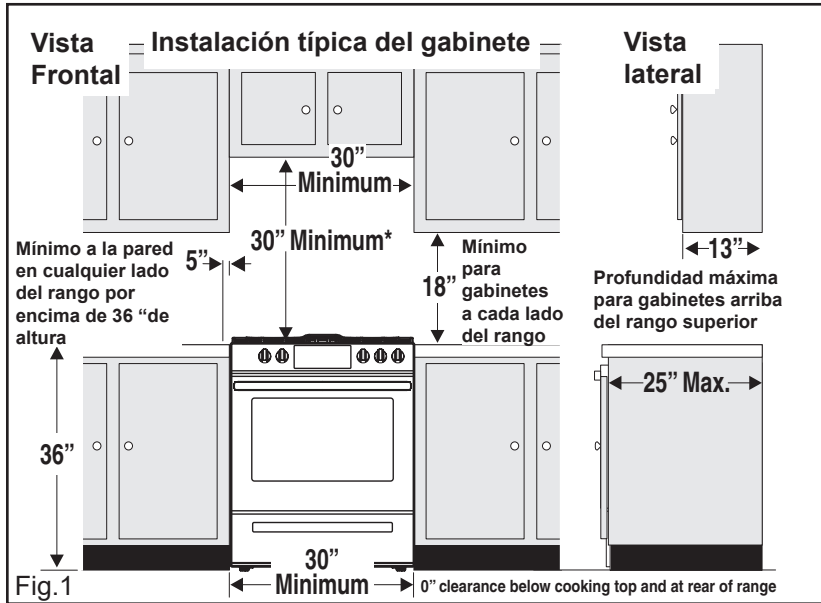
- No almacene artículos que puedan interesar a los niños en los gabinetes sobre la estufa. Los niños pueden quemarse seriamente tratando de trepar a la estufa para alcanzar estos artículos.
- Los gabinetes de almacenamiento sobre la estufa deben ser evitados, para eliminar la necesidad de tener que pasar sobre los quemadores superiores de la estufa para llegar a ellos.
- Ajuste el tamaño de la llama de los quemadores superiores de tal manera que ésta no sobrepase el borde de los utensilios de cocinar. La llama excesiva es peligrosa.
- No use el horno como espacio de almacenaje. Esto creará una situación potencialmente peligrosa.
- Nunca use la estufa para calentar el cuarto. El uso prolongado de la estufa sin la adecuada ventilación puede resultar peligroso.
- No almacene ni utilice gasolina u otros vapores y líquidos inflamables en la proximidad de éste o de cualquier otro artefacto eléctrico. Puede provocar incendio o explosión.
- Ajuste todos los controles a la posición “OFF” (apagada) después de haber hecho una operación con tiempo programado.
- A diferencia de la gama estándar cocinas de gas, **ESTA PLANCHA DE COCINA NO ES MOVIBLE**. No intente quitar la plancha de cocina

Aparatos Instalados en el estado de Massachusetts:

Este Aparato sólo puede ser instalado en el estado de Massachusetts por un plomero o ajustador de gas licenciado de Massachusetts. Este aparato se debe instalar con un largo conector flexible de gas de tres (3) pies/36 pulgadas. Una válvula manual de gas de tipo manija de forma de “T” se debe instalar en la línea del suministro de gas de este aparato.

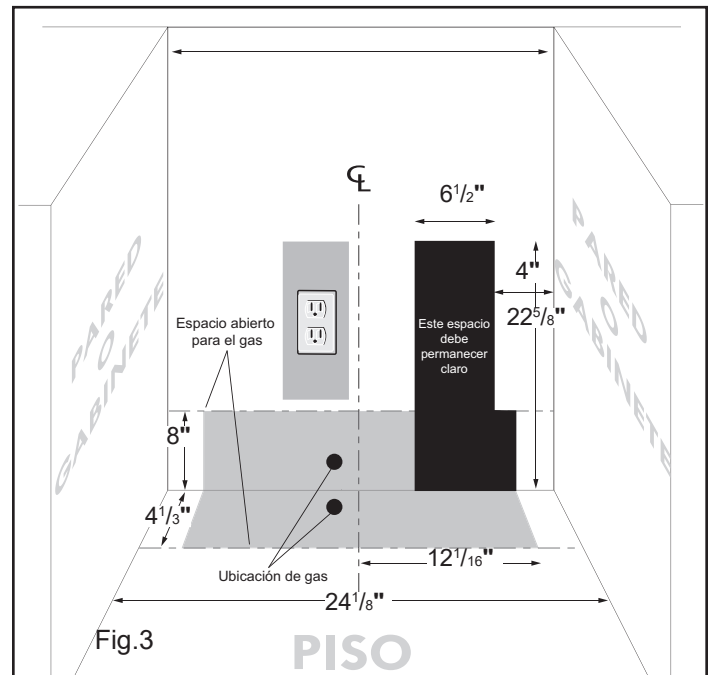
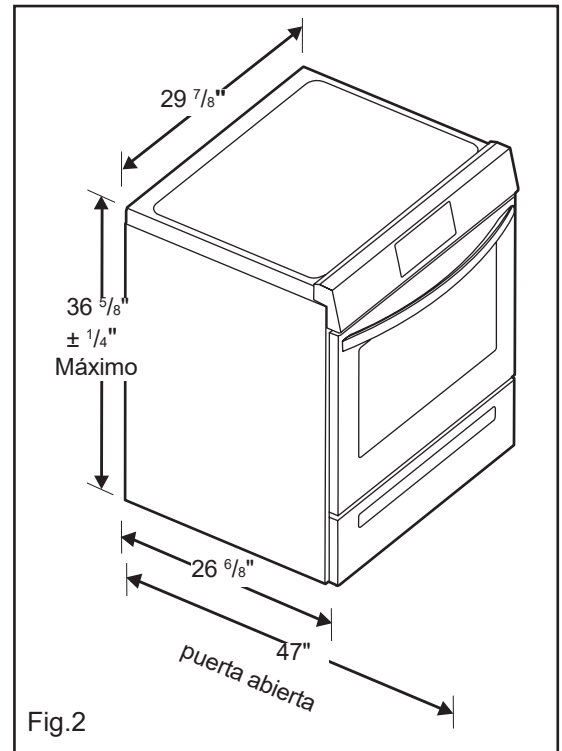
1. Espacios Libres y Dimensiones

- Provea espacios libres adecuados entre la estufa y las superficies combustibles adyacentes.
- Ubicación – Revise el lugar donde será instalada la estufa. Verifique el suministro de energía eléctrica y la estabilidad del piso.
- Es esencial que se usen las dimensiones que se muestran. Las dimensiones indicadas proveen los espacios libres mínimos. La superficie de contacto debe ser firme y nivelada.



* UN MÍNIMO DE 36" DE ESPACIO ENTRE LA PARTE SUPERIOR DE LA SUPERFICIE PARA ESTUFA Y EL FONDO NO PROTEGIDO DE UN GABINETE DE METAL O MADERA; O UN MÍNIMO DE 24" CUANDO EL FONDO DE METAL O MADERA DEL GABINETE ESTA PROTEGIDO POR NO MENOS DE 1/4" DE MATERIAL RETARDANTE, CON UNA HOJA DE ACERO DE NO MENOS MSG NO.28, 0.015" DE ACERO INOXIDABLE, 0.024" DE ALUMINIO O 0.020" DE COBRE. 0" ES EL ESPACIO MÍNIMO PARA LA PARTE TRASERA DE LA ESTUFA. SIGA TODOS LOS REQUERIMIENTOS DE MEDIDAS ANTES PROPORCIONADOS PARA EVITAR DAÑOS A LA PROPIEDAD: PELIGRO DE ENCENDIDOS POTENCIALES O SUPERFICIES Y CORTES DE GABINETES QUE SEAN INCORRECTOS. PARA ELIMINAR EL RIESGO DE QUEMADURAS O INCENDIO CUANDO TRATE DE ALCANZAR OBJETOS POR SOBRE UNIDADES DE SUPERFICIE CALENTADAS, DEBE EVITARSE QUE LOS GABINETES PARA ALMACENAMIENTO ESTÁN LOCALIZADOS ENCIMA DE LA SUPERFICIE DE LA ESTUFA. SI EXISTEN GABINETES DE ALMACENAMIENTO, EL RIESGO PUEDE SER REDUCIDO INSTALANDO UNA CAMPANA DE ESTUFA QUE SE PROYECTE EN FORMA HORIZONTAL A UNA DISTANCIA MÍNIMA DE 5" MAS ALA DEL FONDO DE LOS GABINETES.

⚠ ADVERTENCIA NO INTENTE ENCENDER EL HORNO DE IGNICIÓN ELÉCTRICA DURANTE UN APAGÓN DE LUZ. COLOQUE TODOS LOS CONTROLES EN LA POSICIÓN DE "APAGADO" CUANDO SE PRODUZCAN SITUACIONES DE ESTE TIPO. El encendedor eléctrico, volverá a encenderse automáticamente al volver a conectarse el suministro de energía eléctrica tras un apagón si se han dejado los controles en la posición de "ENCENDIDO". Si se produce un apagón



eléctrico cuando esté utilizando la aplicación, los quemadores de superficie continuarán en funcionamiento y podrá encenderlos con una cerilla. Coloque una cerilla encendida al lado del quemador y, a continuación, gire lentamente el mando hasta colocarlo en la posición LITE de encendido. Extreme las precauciones la encender el quemador de este modo.

2. Herramientas que va a necesitar

(Use gafas de seguridad cuando use herramientas):

Para patas de nivelación y montura anti-vuelco:

- Llave ajustable o alicates (Fig. a)
- Llave para apretar tuercas de 5/16" o un destornillador de cabeza planar (Fig. b)
- Taladro eléctrico y una broca de 1/8" (broca de taladro de hormigón de 3/16" si se instala sobre hormigón (Fig. c)
- Nivel (Fig. d)

Para la conexión al suministro de gas

- Llave ajustable y llave de tubo (Figs. a & e)

Para el ajuste de la llama del quemador:

- Destornilladores de estrella y de cabeza plana (Figs. f & g)

Material que va a necesitar:

- Sellador para uniones de tuberías que resista la acción del gas propano/PL (Fig. h)
- Válvula de desconexión de la línea de gas (Fig. i)
- Un conducto de metal flexible (1/2" NPT x 3/4" o de 1/2" de D.I.) con diseño certificado por CSA Grupo. Ya que las tuberías rígidas restringen el movimiento de la cocina, se recomienda el uso de tuberías flexibles nuevas (de entre 1,20 a 1,50 mts) durante la instalación y cada vez que se vaya a instalar de nuevo o se cambie de lugar posteriormente. (Fig. j)
- Utilice siempre los adaptadores de campana (1/2" NPT x 3/4" o de 1/2" D.I.) (Fig. k)

Materiales suministrados con el dispositivo:

- Plantilla Anti-Tip (Fig. l)
- Soporte antivuelco; incluye 2 tornillos de montaje (Fig. m)

Herramientas



Fig. a

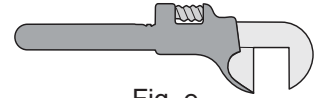


Fig. e



Fig. b

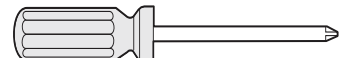


Fig. f

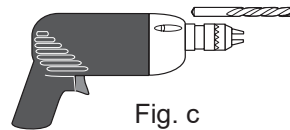


Fig. c

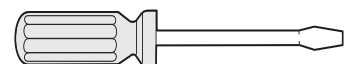


Fig. g

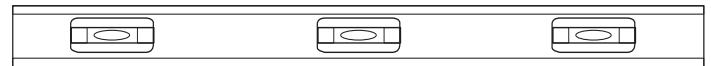


Fig. d

Materiales



Fig. h

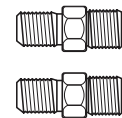


Fig. k



Fig. i

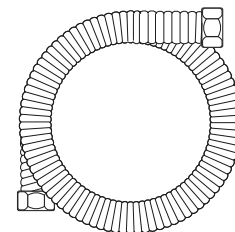


Fig. j

Materiales suministrados con el electrodoméstico

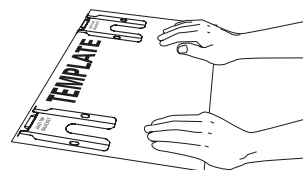


Fig. l

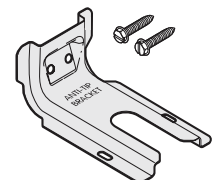


Fig. m

3. Instrucción para la instalación del braquete anti-basculante

Nota importante de seguridad

Para reducir el riesgo de inclinación de la cocina, ésta debe ser asegurada hacia el piso con las fijaciones de anti-inclinación y los tornillos que vienen con la cocina. Si no instala las fijaciones, corre el riesgo que su cocina pueda inclinarse si pone demasiado peso sobre la puerta abierta o si un niño sube sobre ésta. Esto podría ocasionar graves causadas por derrames de líquidos calientes o por la propia cocina.

Si la cocina es trasladada a otro lugar, las fijaciones de anti-inclinación deben también ser trasladadas e instaladas con la cocina.

Las instrucciones son adecuadas para la instalación en pisos de madera o cemento sujeto ya sea en el piso o en la pared. Cuando se instala en la pared, asegúrese de que los tornillos penetren completamente en la misma y que estén asegurados en madera o metal. Cuando se asegura al piso o en la pared, asegúrese de que los tornillos no penetren ningún cableado eléctrico o plomería.

- A. Ubicación del soporte utilizando la plantilla-El soporte puede ser ubicado ya sea en el lado izquierdo o derecho de la estufa. Use la información indicada a continuación para colocar el soporte si no se dispone de la plantilla. Marque el piso o la pared donde se colocará el costado izquierdo o derecho de la estufa. Si la parte trasera de la estufa será colocada contra la pared o a no más de 1-1/4" de la pared cuando ya esté instalada, usted puede usar el método de instalación en el piso o en la pared. Si tiene moldura instalada y ésta no permite que el soporte quede a ras contra la pared, retire la moldura o instale el soporte en el piso. Para el montaje en la pared, ubique la plantilla colocando el borde trasero de la plantilla contra la pared trasera y el borde lateral de la plantilla en la marca hecha indicando el costado de la estufa. Coloque el soporte sobre la plantilla y marque la ubicación de los agujeros de los tornillos en la pared. Si la parte trasera de la estufa está a más de 1-1/4" de la pared cuando ya está instalada, instale el soporte en el piso.

SOPORTE DE FIJACIÓN (INSTALACIÓN EN LA PARED O EL PISO)

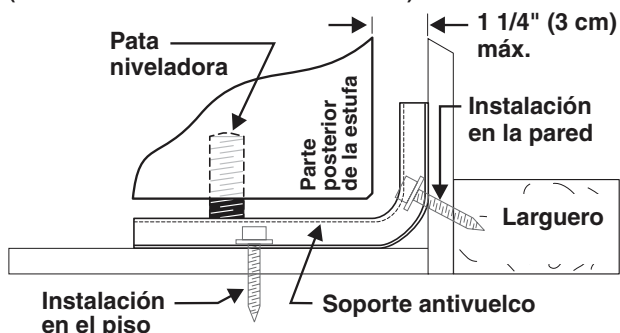


Fig. 4

SOPORTE DE FIJACIÓN (ÚNICAMENTE PARA INSTALACIÓN EN EL PISO)

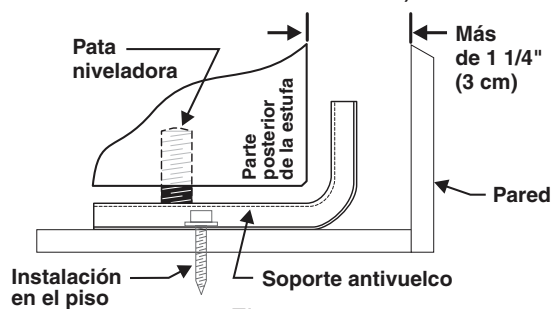


Fig. 5

Para el montaje en el piso, ubique el soporte colocando el borde trasero de la plantilla donde quedará ubicada la parte trasera de la estufa. Marque la ubicación de los agujeros de los tornillos mostrados en la plantilla.

- B. Taladre agujeros piloto e instale el soporte - Taladre un agujero piloto de 1/8" donde se vayan a instalar los tornillos. Si el soporte va a ser instalado en la pared, taladre un agujero piloto en un ángulo descendente de aproximadamente 20°. Si el soporte va a ser instalado en pisos de mampostería o de cerámica, taladre un agujero piloto de 5/32" y 1-3/4" de profundidad. Los tornillos provistos pueden ser usados en materiales de madera o concreto. Use una llave de tuerca de 5/16" o un destornillador de punta plana para asegurar el soporte en su lugar.
- C. Nivele y ubique la estufa - Nivele la estufa ajustando los cuatro (4) tornillos niveladores con una llave. Nota: Se debe dejar un espacio libre mínimo de 1/8" entre la parte inferior de la estufa y los tornillos niveladores a fin de dejar espacio para instalar el soporte. Use un nivel de burbuja de aire para verificar los ajustes. Deslice la estufa de nuevo a su lugar. Verifique visualmente si el tornillo nivelador trasero está insertado y firmemente asegurado por el soporte antivuelco retirando el panel inferior o la gaveta de almacenamiento. Para los modelos con una gaveta calentadora o compartimiento asador, sujete la estufa desde el borde superior trasero y trate de inclinarla hacia adelante cuidadosamente.

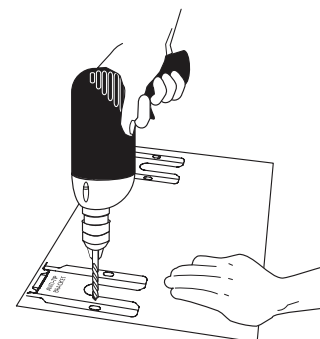


Fig. 6

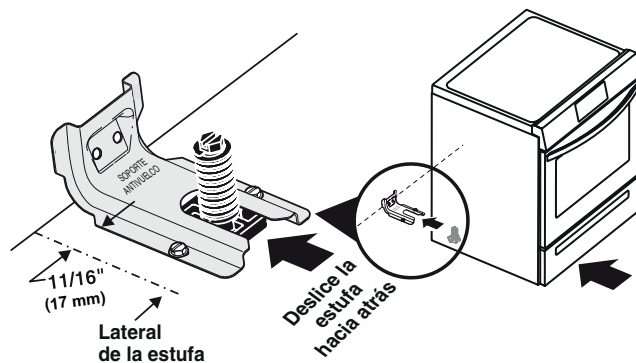


Fig. 7

4. Proporcione un suministro de gas adecuado.

Tenga en cuenta: la operación en elevaciones superiores a 2000 ft., La clasificación del artefacto se reducirá a razón del 4 por ciento por cada 1000 pies sobre el nivel del mar.

Cuándo se envía de la fábrica, esta unidad ha sido ajustada para operar con un múltiple de admisión para gas natural de 4" . Un regulador de presión convertible esta conectado a la válvula distribuidora y DEBE ser conectado con la tubería del suministro de gas. Si el juego de conversión del propano LP/Propano se ha utilizado, sigue las instrucciones proporcionadas el juego para convertir el regulador de presión al uso de LP/Propano.

Se debe de tener cuidado durante la instalación de la estufa para no obstruir el flujo de aire de combustión y ventilación.

Para la operación apropiada, la máxima presión de entrada al regulador no debe exceder la presión de una columna de agua de 14". La presión de entrada al regulador debe ser por lo menos 1" más grande que la válvula distribuidora.

Ejemplos: Si regulador se pone para el gas natural con una presión de 4", la presión de entrada al regulador debe ser por lo menos 5"; si el regulador se ha convertido para gas LP/Propano 10" la presión de entrada al regulador debe ser por lo menos 11".

Un examen de detección de fugas del aparato debe ser realizado según las instrucciones en el paso 4.

La línea de fuente de gas debe ser de 1/2" o de 3/4".

5. Selle las aperturas.

Selle todas las aberturas en el suelo debajo del electrodoméstico o en la pared detrás del electrodoméstico después de haber instalado la tubería de suministro de gas

6. Conecte la estufa al suministro de gas.

Nota: Para evitar fugas, use sellador para juntas de tuberías en todas las roscas de tubería macho (exterior). No permita que el regulador de presión de gas encienda la tubería cuando apriete los accesorios.

- Instale una válvula manual externa para cierre de gas hacia la línea de suministro de gas que tenga una ubicación de fácil acceso fuera de la cocina. Asegúrese de conocer dónde y cómo se cierra el suministro de gas hacia la cocina (Vea Fig. 8).
- Instale un adaptador para unión de campana de 1/2" hacia el válvula manual del unidad usado NO MAS DE 15pies/lbs de torque. (Vea Fig. 8).

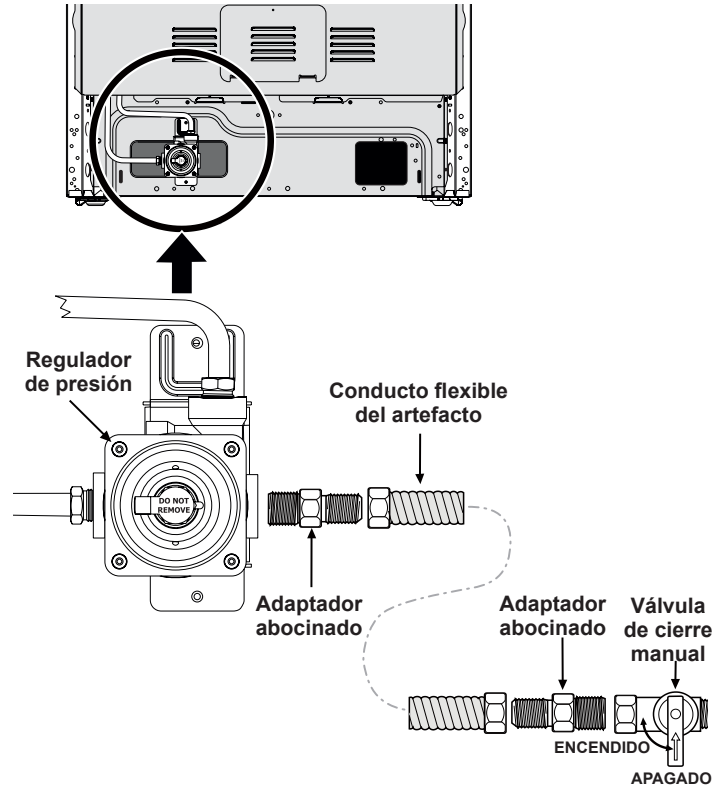


Fig. 8 - conexiones de suministro de gas

Asegúrese de estabilizar el lado izquierdo del regulador de presión de gas antes de ajustar CUALQUIER accesorio al regulador de presión. No permita que el regulador de presión encienda el tubo al apretar los accesorios (Vea Fig 9).

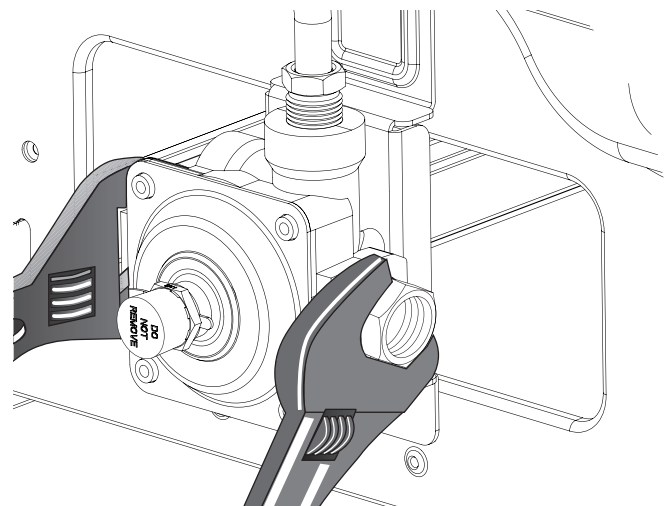


Fig. 9

INSTRUCCIONES DE INSTALACIÓN DE CONTROL DE FRENO DE GAS DE 30“

- c. Apretar el conector flexible de gas y/o el conducto del electrodoméstico para unir con la válvula manual de la unidad usando NO MAS DE 15 pies/lbs de troqué. Asegurar estabilización del adaptador para unión de campana de 1/2” y ajustar con la pinza antes de apretar conector flexible de gas y/o conducto del electrodoméstico. (Vea Fig. 10)

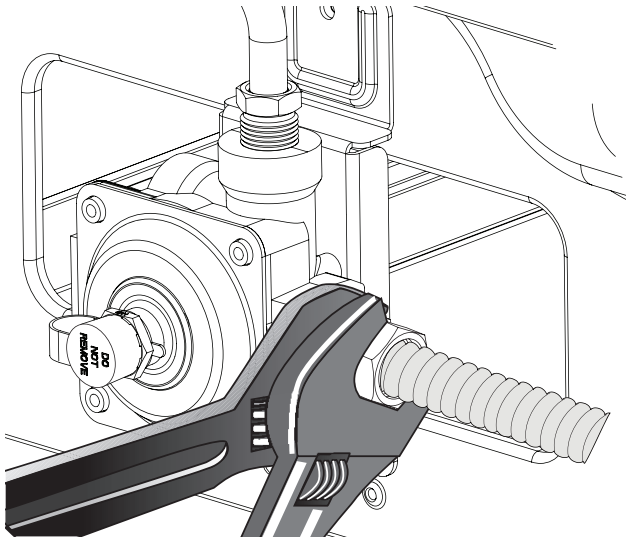


Fig. 10

- d. Instale el adaptador de la unión de campana hacia la válvula manual externa de cierre (Vea Fig. 8).
- e. Conecte el flexible conducto a la unión de campana en la válvula manual externa de cierre (Vea Fig. 8).
- f. Asegúrese de que la válvula de cierre del servicio en el regulador de presión esté en la posición ON (Fig. 11).

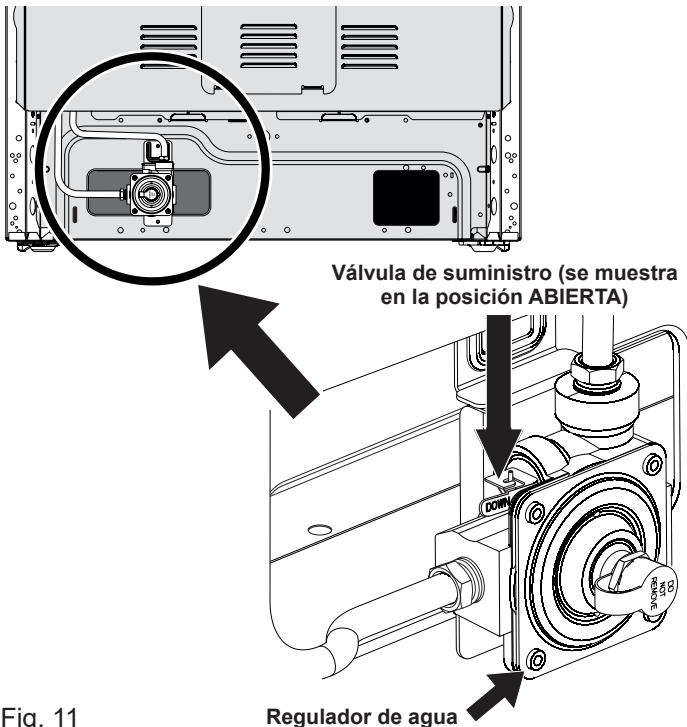


Fig. 11

- g. Verifique si existen fugas. Encienda el suministro de gas hacia la cocina y use el detector de derrames de líquidos en todas las uniones y conductos para comprobar la existencia de fugas en el sistema.

Revisión de la presión de gas en el colector

ADVERTENCIA No use fuego para comprobar la existencia de fugas de gas.

Desconecte la cocina y su válvula de cierre individual del sistema de tubería del suministro de gas durante cualquier prueba de presión de ese sistema para presiones de prueba superiores a 14” de presión de columna de agua (aproximadamente 1/2” psig).

La aplicación debe aislarse del sistema de la tubería de suministro de gas cerrando su válvula de cierre manual individual durante cualquier prueba de presión del sistema de tubería de suministro de gas para presiones de prueba iguales o mayores a 14” de presión de columna de agua (aproximadamente 1/2” psig).

Si fuera necesario revisar la presión de gas en el colector, conecte el manómetro (medidor de agua) u otro dispositivo de presión al orificio posterior derecho del quemador superior. Usando una manguera de caucho con un diámetro interior de aproximadamente 1/4”, sostenga fuerte la tubería hacia abajo sobre el orificio. Encienda la válvula del quemador.

Para una revisión exacta de la presión, tenga por lo menos otros dos (2) quemadores superiores. Asegúrese que la presión del suministro de gas (entrada) se encuentra por lo menos una pulgada por encima de la presión especificada en el colector de la cocina. La presión del suministro de gas nunca debe encontrarse por encima de 14” de la columna de agua. Cuando se encuentra debidamente ajustado para Gas Natural, la presión en el colector es 4” (para PL/Gas Propano, la presión en el colector es 10”).

7. Lea los siguientes detalles de conexión eléctrica antes de conectar la electricidad al rango.

⚠ ADVERTENCIA Antes de realizar el servicio, desconecte el suministro eléctrico en el disyuntor, fusible o cable de alimentación.

Requisitos eléctricos:

Un circuito derivado dedicado, correctamente conectado a tierra y polarizado protegido por un amplificador de 15 amperios, disyuntor o fusible de retardo. Ver placa de serie para voltaje apropiado.

Precauciones con el cable de extensión:

Debido a los peligros potenciales de seguridad bajo ciertas condiciones, recomendamos encarecidamente evitar el uso de cualquier cable de extensión. Sin embargo, si elige usar un cable de extensión, es absolutamente necesario que sea un cable de extensión de tres hilos con conexión a tierra y que la corriente nominal del cable en amperios sea equivalente o mayor que el circuito derivado. clasificación. Tales extensiones se pueden obtener a través de su organización de servicio local.

⚠ ADVERTENCIA ¡Por favor lea cuidadosamente! Por seguridad personal, este producto debe estar debidamente conectado a tierra.

Bajo ninguna circunstancia, corte o retire la tercera punta (tierra) del cable de alimentación (Fig. 12).

En lugares en los que aya un enchufe de pared estándar de dos patillas, el cliente tendrá responsabilidad directa y la obligación de reemplazarlo por un enchufe de pared de tres patillas debidamente cableado a tierra.

Metodo preferido

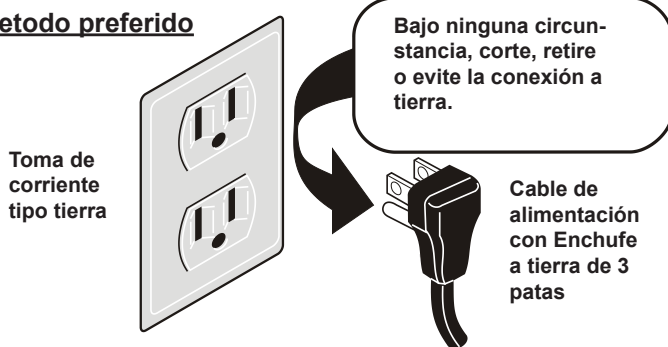


Fig. 12

Instrucciones de conexión a tierra::

El cable de alimentación de este electrodoméstico está equipado con un enchufe de 3 patas (conexión a tierra) que se acopla con un tomacorriente de pared con toma de tierra de 3 patas para minimizar la posibilidad de riesgo de descarga eléctrica por este artefacto. El cliente debe hacer que el tomacorriente de pared y el circuito sean revisados por un electricista calificado para asegurarse de que el receptáculo esté correctamente conectado a tierra y polarizado.

8. Verifique la colocación de la tapa del quemador.

Es muy importante asegurarse de que todas las tapas de los quemadores de superficie y las rejillas de los quemadores estén instaladas correctamente y en las ubicaciones correctas antes de operar el aparato. La cubierta no es extraíble. No intente quitar o levantar la superficie de cocción.

⚠ ADVERTENCIA Para prevenir los brotes y evitar la creación de subproductos dañinos, no use la cubierta sin todas las tapas del quemador instaladas correctamente para asegurar el encendido adecuado y el tamaño de la llama del gas.

Siempre mantenga las tapas del quemador y las cabezas del quemador en su lugar siempre que los quemadores de superficie estén en uso. No permita que los derrames, alimentos, agentes de limpieza o cualquier otro material entren en las aberturas del soporte del orificio de gas.

Verifique y asegúrese de que el tamaño de cada tapa del quemador coincida con el tamaño de la cabeza del quemador. Verifique y asegúrese de que todas las tapas del quemador de estilo redondo estén colocadas correctamente en las cabezas redondas de los quemadores.

Verifique y asegúrese de que todas las tapas del quemador de estilo ovalado estén colocadas correctamente en las cabezas de los quemadores ovales (si están instaladas). Verifique y asegúrese de que todas las tapas de los quemadores duales o gemelos estén colocadas correctamente en los cabezales de los quemadores duales o gemelos (si corresponde).

En quemadores de estilo redondo, el labio de la tapa del quemador (vea la Fig. 13) debe quedar ajustado en el centro de la cabeza del quemador y estar nivelado. Consulte las Figs. 14 y 15 para la colocación correcta e incorrecta de la tapa del quemador.

Una vez en su lugar, puede verificar el ajuste deslizando suavemente la tapa del quemador de lado a lado (Fig. 16) para asegurarse de que esté centrada y firmemente asentada. Cuando el labio de la tapa del quemador haga contacto dentro del centro de la cabeza del quemador, podrá escuchar el clic de la tapa del quemador. Tenga en cuenta que la tapa del quemador NO debe moverse fuera del centro de la cabeza del quemador cuando se deslice de un lado a otro.

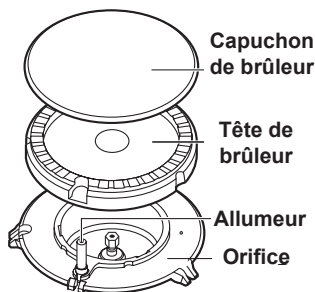
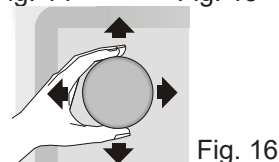
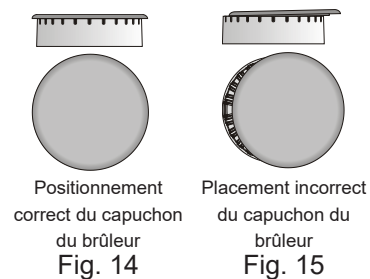


Fig. 13



9. Verificar el encendido de la superficie quemadores.

El funcionamiento de los encendedores eléctricos debe verificarse después de que el alcance y los conectores de la línea de suministro se hayan revisado cuidadosamente para detectar fugas y el alcance se haya conectado a la energía eléctrica.

- Para verificar el encendido adecuado, empuje y gire la perilla del quemador de superficie en sentido antihorario a la posición LITE. Oírás el encendedor chispeando..
- El quemador de superficie debe encenderse cuando haya gas disponible para el quemador. Purgue el aire de las líneas de suministro dejando la perilla en la posición LITE hasta que el quemador se encienda. Cada quemador debe encenderse dentro de los cuatro (4) segundos en funcionamiento normal después de purgar el aire de las líneas de suministro.
- Verifique visualmente que el quemador tenga una llama. Una vez que el quemador se enciende, la perilla de control debe estar fuera de la posición LITE.
- Pruebe cada botón de control de superficie por separado hasta que se hayan verificado todos los quemadores de superficie. Cada ubicación del quemador está equipada con un electrodo separado.

10. Ajuste la configuración BAJA de las válvulas del quemador de superficie (flujo lineal).

Pruebe para verificar si la configuración BAJA debe ajustarse:

- Presione y gire el control a LITE hasta que el quemador se encienda.
- Presione y gire rápidamente la perilla a la posición más baja.
- Si el quemador se apaga, reinicie el control a OFF.
- Retire la perilla de control del quemador de la superficie.
- Inserte un destornillador de hoja delgada en el vástago de la válvula hueca y enganche el tornillo ranurado en el interior. El tamaño de la llama se puede aumentar o disminuir con el giro del tornillo (consulte la Fig. 17 y la Fig. 18).
- Ajuste la llama hasta que pueda girar rápidamente la perilla desde LITE hasta la posición más baja sin extinguir la llama. La llama debe ser lo más pequeña posible sin extinguir.

Nota: Los ajustes de la mezcla de aire no son necesarios en los quemadores de superficie.

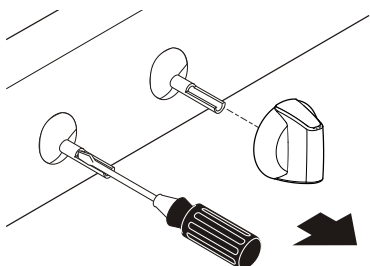


Fig. 17

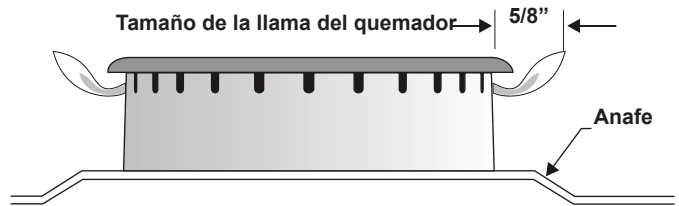


Fig. 18

11. Controlar el encendido de los quemadores del horno.

El funcionamiento de los encendedores del horno debe verificarse después de que el rango y los conectores de la línea de suministro se hayan revisado cuidadosamente para detectar fugas y el alcance se haya conectado a la energía eléctrica. Asegúrese de que todos los materiales de embalaje y la literatura se eliminen del horno.

El quemador del horno está equipado con un sistema de control eléctrico y un encendedor de quemador de horno eléctrico. Si su modelo está equipado con un quemador de horno superior, también tendrá un encendedor de quemador eléctrico. Estos sistemas de control no requieren ningún ajuste. Cuando el horno está configurado para funcionar, la corriente fluirá al encendedor. Brillará de forma similar a una bombilla de luz. Cuando el encendedor haya alcanzado una temperatura suficiente para encender el gas, la válvula del horno controlada eléctricamente se abrirá y la llama aparecerá en el quemador del horno. Hay un lapso de tiempo de 30 a 60 segundos después de que el termostato se ENCIENDE antes de que la llama aparezca en el quemador del horno. Cuando el horno alcanza la temperatura establecida, el encendedor que brilla intensamente se apagará. La llama del quemador se apagará en 20 a 30 segundos después de que el encendedor se apaga. Para mantener cualquier horno fijo temperatura, este ciclo continuará mientras el control del horno esté configurado para operar.

Para verificar el encendido del quemador del horno:

- Ajuste el horno a Hornear a 300°F. Ver el Manual del Usuario para las instrucciones de operación.
- En 60 segundos, el quemador del horno debe encenderse. Verifique que la llama sea adecuada y deje que el quemador encienda una vez. Restablece el control a OFF.
- Si su modelo está equipado con una parrilla para asar a la altura de la cintura, coloque el horno en la parrilla. Ver el Manual del Usuario para las instrucciones de operación.
- En 60 segundos, el quemador de asado debe encenderse. Verifique la llama adecuada. Restablecer el control a OFF.

12. Ajuste el obturador de aire - horno inferior.

Para determinar si la llama del quemador del horno es correcta, retire el panel inferior del horno y baje el deflector del quemador (consulte la Fig. 19) y ajuste el horno a Hornear a 300 ° F. La longitud aproximada de la llama del quemador del horno inferior debe ser de 1 pulgada con una llama azul interna distinta.

Para quitar la parte inferior del horno inferior, quite los tornillos de sujeción del fondo del horno en la parte posterior del panel inferior del horno. Tire hacia arriba en la parte trasera, desenganche la parte frontal del horno del marco frontal del horno y saque la parte inferior del horno para sacarlo del horno. Retire el deflector del quemador inferior para observar la llama del quemador del horno.

Si la llama es de color amarillo, aumente el tamaño de apertura del obturador de aire del horno inferior. Si la llama es azul distinta, reduzca el tamaño de apertura del obturador de aire.

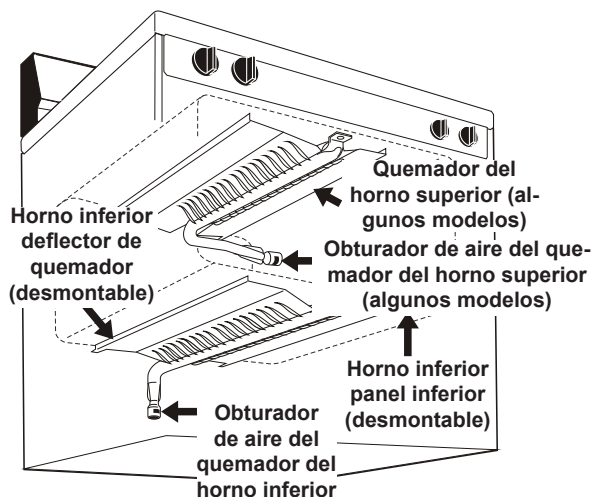


Fig. 19 - ubicaciones de quemador de horno

Para ajustar el obturador de aire del horno inferior, afloje el tornillo de bloqueo (consulte la Fig. 20), vuelva a colocar el obturador de aire y apriete el tornillo de bloqueo. Cuando termine de ajustar, reemplace el deflector del quemador y el panel inferior del horno.

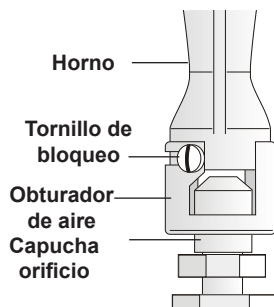


Fig. 20 - obturador de aire típico del quemador del horno

13. Ajuste el obturador de aire - horno superior (algunos modelos).

La longitud aproximada de la llama del quemador superior (asar) debe ser de 1 pulgada con una llama interior azul distintiva. Para determinar si la llama del quemador superior es adecuada, ajuste el horno a Asar. Si la llama es amarilla, aumente el tamaño de apertura del obturador de aire del horno superior. Si la llama es azul distinta, reduzca el tamaño de apertura del obturador de aire.

Para ajustar el obturador de aire superior, afloje el tornillo de bloqueo (consulte la Fig. 20), vuelva a colocar el obturador de aire y apriete el tornillo de bloqueo.

14. Asegúrate de que el rango esté nivelado.

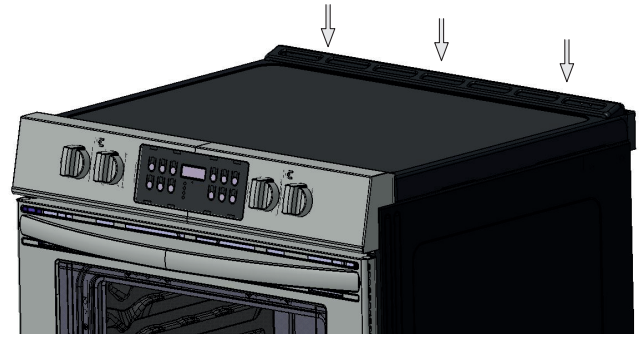
Nivele el rango colocando un nivel horizontalmente en una rejilla del horno. Compruebe diagonalmente de adelante hacia atrás, luego nivele el rango ajustando las patas de nivelación o colocando cuñas debajo de las esquinas del rango según sea necesario.

Nota: Una vez completada la instalación, asegúrese de que todos los controles estén en la posición de apagado.

15. Instalar kit de ajuste de relleno

Nota: no es necesario instalar el kit de acabado de relleno.

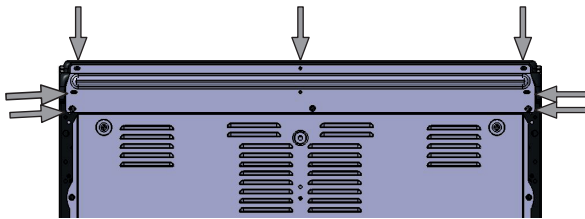
⚠ ADVERTENCIA Corte la alimentación eléctrica de la estufa antes de instalar. Antes de realizar cualquier operación de servicio con el electrodoméstico, asegúrese de que está desconectado y que las superficies están frías. Si intenta realizar una operación de servicio con el electrodoméstico caliente, puede sufrir quemaduras u otras lesiones.



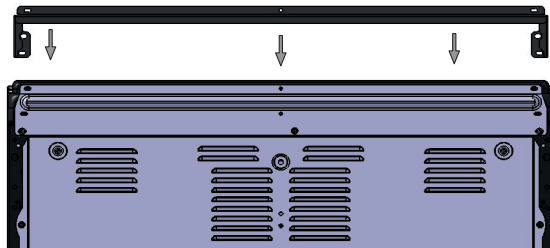
Cocina con moldura trasera instalada.

Instrucciones de colocación de la moldura:

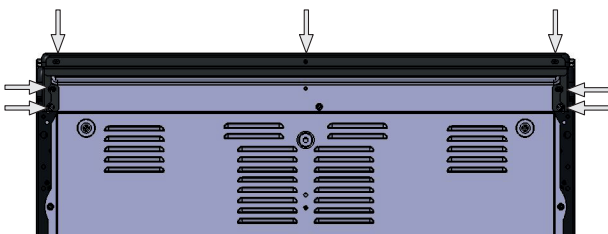
1. Retire los 7 tornillos en el orificio de ventilación en el rango de vuelta.



2. Coloque el borde de relleno sobre la parte posterior alineando los 7 orificios de los tornillos del borde de relleno con el borde de ventilación y apriete los tornillos.



3. Cuando el ajuste de relleno esté asegurado, quedará al ras con la parte superior del rango.

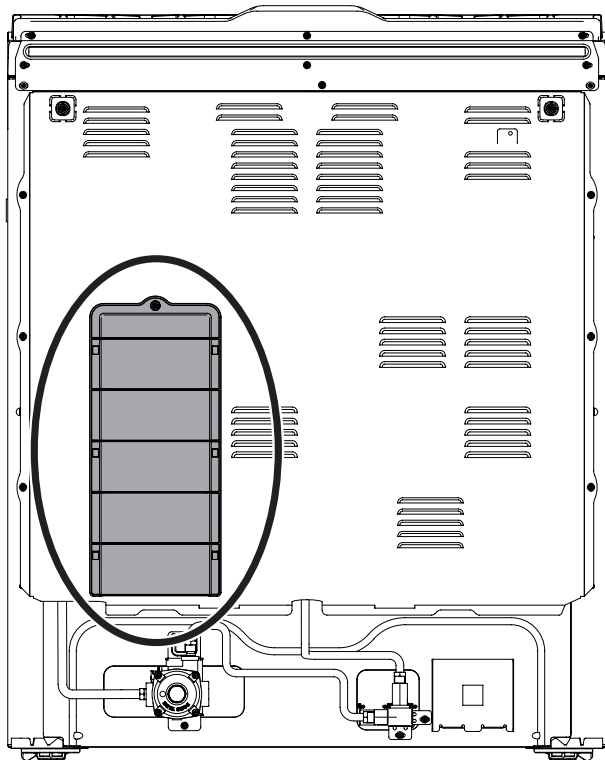


16. Cuidado, limpieza y mantenimiento

Consulte el Manual de uso y cuidado para obtener instrucciones de limpieza.

Si es necesario quitar el rango para la limpieza o el mantenimiento, apague el suministro de gas. Desconecte el suministro de gas y electricidad. Si el suministro de gas o eléctrico es inaccesible, levante el alcance levemente en la parte delantera y retírelo de la pared. Tire solo hasta donde sea necesario para desconectar el suministro de gas y electricidad. Termine de quitar el rango para dar servicio y limpiarlo. Vuelva a instalar en orden inverso asegurándose de nivelar el rango y verifique las conexiones de gas para detectar fugas. Asegúrese de leer y seguir el paso 1 para una instalación correcta de Anti-tip.

⚠ ADVERTENCIA Algunos modelos tienen una ventilación de admisión de aire frío en la parte posterior del aparato. No bloquee u obstruya esta ventilación.



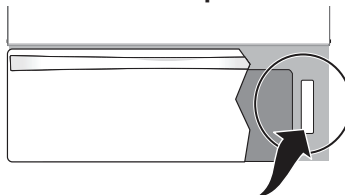
17. Ubicación del modelo y número de serie

La placa de serie está ubicada en la superficie derecha del marco frontal del horno en el cajón de almacenamiento o calentador; o el área del panel inferior.

Cuando ordene piezas o pregunte sobre su rango, siempre asegúrese de incluir los números de modelo y de serie y un número de lote o letra de la placa de serie de su rango.

Su placa de serie también le indica la clasificación de kilovatios (requisitos de potencia) y las clasificaciones.

Ubicaciones de placas de serie:



La placa de serie está ubicada en el marco frontal inferior derecho del dispositivo. La ubicación alternativa puede ser debajo de la estufa.

Antes de llamar al servicio

Lea las secciones "Antes de llamar" y la instrucción de operación en su [Manual de uso y cuidado](#). Puede ahorrarle tiempo y dinero. La lista incluye las ocurrencias comunes que no son el resultado de mano de obra o materiales defectuosos en este electrodoméstico.

Consulte la garantía en su [Manual de uso y cuidado](#) para obtener nuestro número y dirección de servicio gratuito. Llame o escriba si tiene consultas sobre su producto de gama y/o necesita pedir piezas.

