

FRIGIDAIRE

PROFESSIONAL®

FPMO227NUF

MICROWAVE

24" BUILT-IN

Smudge-Proof™
Stainless Steel



AVAILABLE COLORS



Stainless

PRODUCT DIMENSIONS

Height	13-5/8"
Width	24-7/16"
Depth	19-5/8"

MORE EASY-TO-USE FEATURES

Melt Setting

Offers a simple way to melt ingredients like butter and chocolate for consistent baking results.

Auto Defrost

Great results, even when you're pressed for time. Automatically thaws foods like steaks and bacon based upon their weight.

Adjustable Timer

Adjust the cooking time of your dish while it's cooking. The adjustable timer allows you to add 30 seconds on the timer.

Built-In Trim Kit Available

Optional trim kit available in a Smudge-Proof™ stainless steel trim in 30" width.

SIGNATURE FEATURES



Fits-More™ Microwave

Extra-large microwave provides 2.2 cu. ft. of cooking space.



PowerSense™ Cooking Technology

Results you can trust. PowerSense™ Cooking Technology automatically senses ideal time and power levels.



Easy-to-Use One-Touch Options

Cook baked potatoes, popcorn or even add 30 seconds with the touch of a button.



Smudge-Proof™ Stainless Steel

Resists fingerprints and cleans easily.

FPMO227NUF MICROWAVE

24" BUILT-IN

FRIGIDAIRE
PROFESSIONAL

FEATURES

Control/Timing System	Pro-Select®
Exterior Door Finish	Smudge-Proof™ Stainless Steel
Handle Design	Push Button
Microwave Capacity (Cu. Ft.)	2.2
Watts (IEC-705 Test Procedure)	1,200
Interior Light	Yes
Interior Color	White
Turntable Diameter	16-1/2"
Control Lock	Yes
Clock	Yes
Touch Pad Buttons	25
Power Levels	High (1-9)

MICROWAVE CONTROL OPTIONS

Popcorn Button	Yes
Baked Potato Button	Yes
Sensor Reheat Button	Yes
Snack Button	Yes
Melt & Soften Options	2/2
Snack Menu Options	Yes
Auto Cook Options	Yes
Auto Defrost Options	Yes
Add-30-Seconds	Yes
Sensor Cooking Options	5
Vegetable Button	Yes
User Preferences	Yes

POWER RATINGS

Frequency (MHz)	2,450
Watts @ 120 Volts	1,700
Amps @ 120 Volts	14.2

OPTIONAL ACCESSORIES

30" Stainless Steel Trim Kit	PN# MWTK30FPUF
------------------------------	----------------

SPECIFICATIONS

Oven Interior (HxWxD)	11-1/4" x 17-7/8" x 19-1/8"
Power Supply Connection Location	Right Top Rear
Voltage Rating	120V/60Hz/14.2A
Connected Load (kW Rating) @ 120 Volts ¹	1.7
Minimum Circuit Required (Amps)	15
Plug Type (NEMA)	LCD1 (5-15P)
Shipping Weight (Approx.)	50 Lbs.

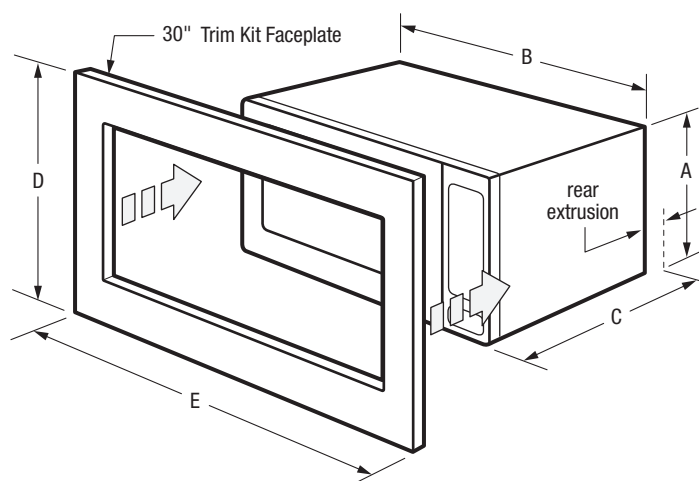
¹For use on adequately wired 120V, dedicated circuit having 2-wire service with a separate ground wire. Appliance must be grounded for safe operation.

PRODUCT DIMENSIONS

A - Height	13-3/8"
B - Width	24-7/16"
C - Depth	19-5/8"
Depth with Door Open 90°	39"

CUTOUT DIMENSIONS

Height (Min.)	16-3/4"
Height (Max.)	17"
Width (Min.)	24-3/4"
Width (Max.)	25"
Depth (Min.)	20"



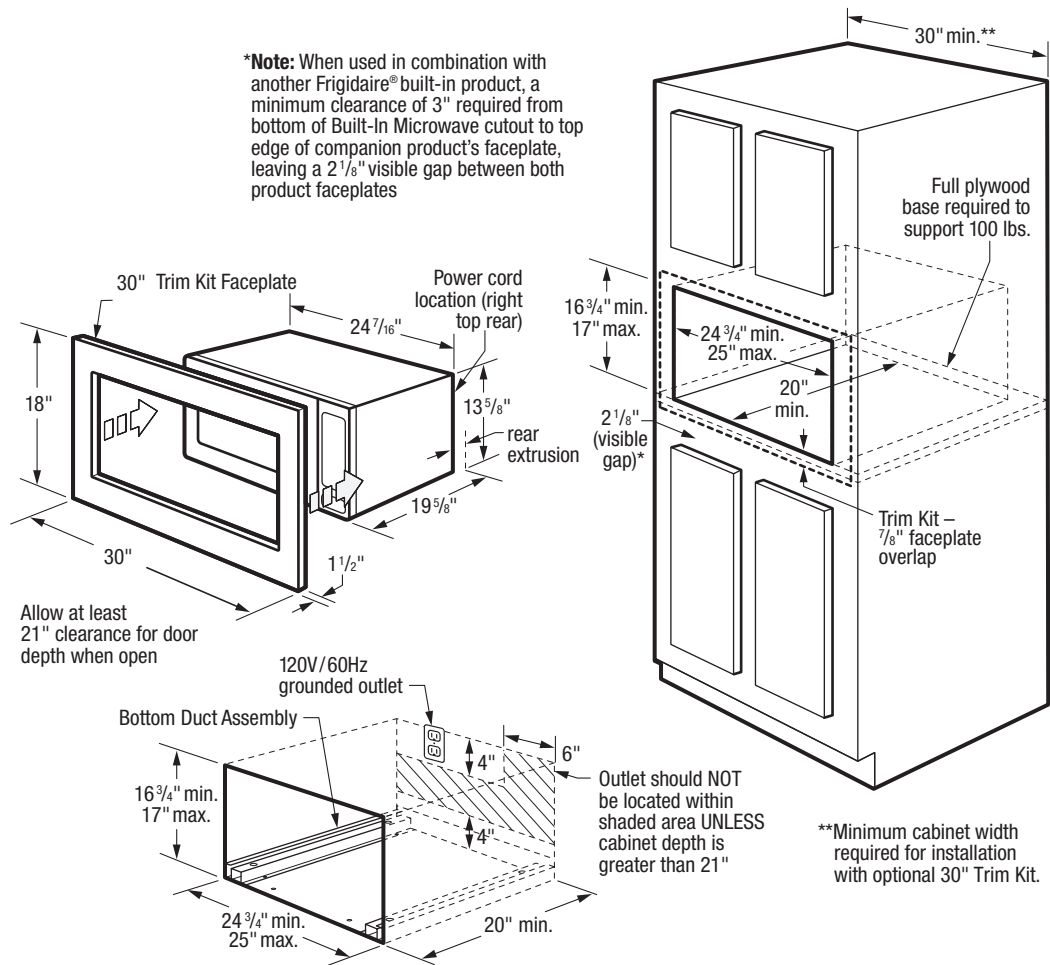
Note: For planning purposes only. Always consult local and national electric, gas and plumbing codes. Refer to Product Installation Guide for detailed installation instructions on the web at frigidaire.com.

Specifications subject to change. Accessories information available on the web at frigidaire.com

FRIGIDAIRE

USA • 10200 David Taylor Drive • Charlotte, NC 28262 • 1-800-FRIGIDAIRE • frigidaire.com
CANADA • 5855 Terry Fox Way • Mississauga, ON L5V 3E4 • 1-800-265-8352 • frigidaire.ca

FPMO227NU 10/18
© 2018 Electrolux Home Products, Inc.



INSTALLATION SPECIFICATIONS

- Product Shipping Weight (Approx.) - 50 Lbs. (not incl. Trim Kit)
- Voltage Rating - 120V/60 Hz/15 Amps
- Connected Load (kW Rating) @ 120 Volts = 1.7 kW
(For use on adequately wired 120V, dedicated circuit having 2-wire service with a separate ground wire. Appliance must be grounded for safe operation.)
- Amps @ 120 Volts = 14.2 Amps
- Always consult local and national electric codes.
- Microwave can stand alone on countertop or be built in with optional 30" Trim Kit (ordered by individual part number) which includes Bottom Duct Assembly - shipped in separate box.
- Allow 21" minimum clearance for 90° door swing.
- Minimum 20" deep oven cutout dimension is critical for proper installation for oven and faceplate to fit flush against cabinet front.
- Consult local building code, in the event that cutout opening may be required to be enclosed with sides, ceiling and rear partition.
- Full oven base of solid plywood or similar material required, capable of supporting 100 Lbs.

- Base must be level and front of cabinet square for proper operation.
- Grounded outlet should NOT be located in shaded area, as indicated, UNLESS cabinet depth is greater than 21".
- Can NOT be installed above any gas wall oven.
- Built-In Microwave is approved to be used in combination with any Frigidaire® Electric Single Wall Oven and/or Warmer Drawer. (Refer to model-specific Combination Installation Specification pages on web.)
- When used in combination with another Frigidaire® built-in product, a minimum clearance of 3" required from bottom of Built-In Microwave cutout to top edge of companion product's faceplate, leaving a 2-1/8" visible gap between both product faceplates.

OPTIONAL ACCESSORIES

- 30" Stainless Steel Trim Kit - (PN# MWTK30FPUF).

