

INSTALLATION INSTRUCTIONS

40" DUAL FUEL RANGE

**INSTALLATION AND SERVICE MUST BE PERFORMED BY A QUALIFIED INSTALLER.
 IMPORTANT: SAVE FOR LOCAL ELECTRICAL INSPECTOR'S USE.
 READ AND SAVE THESE INSTRUCTIONS FOR FUTURE REFERENCE.**



⚠ WARNING FOR YOUR SAFETY: Do not store or use gasoline or other flammable vapors and liquids in the vicinity of this or any other appliance.



Table of Contents

Important Safety Instructions.....	2-4	Connect Fuel Supply	10
Product Dimensions	5	Install Oven Racks.....	11
Cabinet Dimensions	6	Level the Range	11
Cabinet Construction.....	7	Install Anti-Tip Bracket.....	12-13
Electrical Requirements.....	7-8	Prepare Burner Assemblies.....	14-15
Power Supply Cord.....	8	Check Oven Operation.....	15
Fuel Supply Requirements	9	After Installation.....	16
		Serial Plate Location (Model & Serial Number).....	16

Important Notes to the Installer

1. Read all instructions contained in these installation instructions before installing range.
2. Remove all packing material from the oven and the drawer compartments before connecting the electrical supply to the range.
3. The anti-tip bracket supplied with the appliance must be installed.
4. Observe all governing codes and ordinances.
5. Be sure to leave these instructions with the consumer.

Important Note to the Consumer

1. Keep these instructions with your owner's guide for future reference.
2. When using any appliance generating heat, there are safety precautions you must follow. These precautions are explained in your Use and Care manual. Read your manual carefully.
3. Be sure your appliance is installed and grounded by a qualified installer or service technician.

40" DUAL FUEL RANGE INSTALLATION INSTRUCTIONS

IMPORTANT SAFETY INSTRUCTIONS

This appliance must be installed, grounded, and serviced by a qualified installer or service technician.

This manual contains important safety symbols and instructions. Please pay attention to these symbols and follow all instructions given. Do not attempt to install or operate your appliance until you have read the safety precautions in this manual. Safety items throughout this manual are labeled with a WARNING or CAUTION statement based on the risk type.

Warnings and important instructions appearing in this guide are not meant to cover all possible conditions and situations that may occur. Common sense, caution, and care must be exercised with installing, maintaining, or operating your appliance.

⚠ This is the safety alert symbol. It is used to alert you to potential personal injury hazards. Obey all safety messages that follow this symbol to avoid possible injury or death.

⚠ WARNING Indicates a potentially hazardous situation which, if not avoided, may result in death or serious injury.

⚠ CAUTION Indicates a potentially hazardous situation which, if not avoided, may result in minor or moderate injury.

IMPORTANT: Indicates installation, operation, maintenance, or valuable information that is not hazard related.

⚠ WARNING Tip Over Hazard

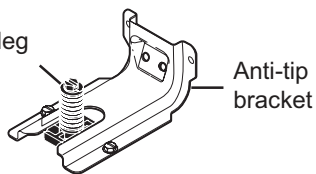


- A child or adult can tip the range and be killed.
- Verify the anti-tip device has been installed to floor or wall.

- Ensure the anti-tip device is re-engaged to floor or wall when the range is moved.
- Do not operate the range without the anti-tip device in place and engaged.
- Failure to follow these instructions can result in death or serious burns to children and adults.



Range leveling leg



To check if the anti-tip bracket is installed properly, use both arms to grasp the rear edge of the range back. Carefully attempt to tilt range forward. When properly installed, the range should not tilt forward.

Refer to the anti-tip bracket installation instructions supplied with your range for proper installation.

⚠ WARNING If the information in this manual is not followed exactly, a fire or explosion may result causing property damage, personal injury or death.

FOR YOUR SAFETY:

- Do not store or use gasoline or other flammable vapors and liquids in the vicinity of this or any other appliance.
- WHAT TO DO IF YOU SMELL GAS:
 - Do not try to light any appliance.
 - Do not touch any electrical switch; do not use any phone in your building.
 - Immediately call your gas supplier from a neighbor's phone. Follow the gas supplier's instructions.
 - If you cannot reach your gas supplier, call the fire department.
- Installation and service must be performed by a qualified installer, servicer or the gas supplier.

40" DUAL FUEL RANGE INSTALLATION INSTRUCTIONS

WARNING

- **Excessive Weight Hazard**--Use two or more people to move and install range. Failure to follow this instruction can result in back or other injury.
- **Storage In or On Appliance**—Flammable materials should not be stored in an oven or microwave, near surface burners or elements, or in the storage or warmer drawer (if equipped). This includes paper, plastic, and cloth items, such as cookbooks, plastic ware, and towels, as well as flammable liquids. Do not store explosives, such as aerosol cans, on or near the appliance.
- **Do not leave children alone** - Children should not be left alone or unattended in the area where appliance is in use. They should never be allowed to sit or stand on any part of the appliance, including the storage drawer, lower broiler drawer, warmer drawer, or lower double oven.
- Do not store items of interest to children in the cabinets above the appliance or on the backguards of ranges. Children climbing on or near the appliance to reach items could be seriously injured.
- Stepping, leaning, or sitting on the door or drawers of this appliance can result in serious injuries and also cause damage to the appliance.
- Do not use oven or warmer drawer (if equipped) for storage.
- Never use your appliance as a space heater to heat or warm the room. Doing so may result in carbon monoxide poisoning and overheating of the appliance.
- Do not store or use gasoline or other flammable vapors and liquids in the vicinity of this or any other appliance.
- Air curtain or other overhead range hoods which operate by blowing a downward air flow onto a range or cooktop, shall not be used in conjunction with gas ranges or cooktops other than when the range or cooktop and hood have been designed, tested, and listed by an independent test laboratory for use in combination with each other.

IMPORTANT INSTRUCTIONS FOR UNPACKING AND INSTALLATION

Read and follow the below instructions and precautions for unpacking, installing, and servicing your appliance:

- Destroy the carton and plastic bags after unpacking the appliance. Never allow children to play with packaging material. Do not remove the wiring label and other literature attached to the appliance. Do not remove model/serial number plate.

- Cold temperatures can damage the electronic control. When using this appliance for the first time, or when the appliance has not been used for an extended period of time, be sure the appliance has been in temperatures above 32°F (0°C) for at least 3 hours before turning on the power to the appliance.
- Never modify or alter the construction of the appliance by removing the leveling legs, panels, wire covers, anti-tip brackets/screws, or any other part of the appliance.
- Proper Installation—Be sure your appliance is properly installed and grounded by a qualified technician. In the United States, install in accordance with the National Fuel Gas Code ANSI Z223.1/NPFA No. 54, latest edition and National Electrical Code NFPA No. 70 latest edition, and local electrical code requirements. In Canada, install in accordance with CAN/CGA B149.1 and CAN/CGA B149.2 and CSA Standard C22.1, Canadian Electrical code, Part 1-latest editions and local electrical code requirements. Install only per installation instructions provided in the literature package for this appliance.
- The installation of appliances designed for manufactured (mobile) home installation must conform with Manufactured Home Construction and Safety Standard, title 24CFR, part 3280 [Formerly the Federal Standard for Mobile Home Construction and Safety, title 24, HUD (part 280)] or when such standard is not applicable, the Standard for Manufactured Home Installation 1982 (Manufactured Home Sites, Communities and Setups), ANSI Z225.1/ NFPA 501A-latest edition, or with local codes in United States and with CAN/CSA-Z240 MH in Canada.
- Before installing the range in an area covered with linoleum or any other synthetic floor covering, make sure the floor covering can withstand heat at least 90°F (32.2°C) above room temperature without shrinking, warping or discoloring. Do not install the range over carpeting unless you place an insulating pad or sheet of ¼" (0,64 cm) thick plywood between the range and carpeting.
- Make sure the wall coverings and cabinet materials around the range can withstand the heat generated by the appliance.
- To eliminate the risk of burns or fire by reaching over heated surface units, cabinet storage space above the surface unit should be avoided. If cabinet storage is to be provided the risk can be reduce by installing a range hood that projects horizontally a minimum of 5 inches beyond the bottom of the cabinet.
- Do not obstruct airflow at the oven vent, around the base, or beneath the lower front panel of the appliance. This appliance requires fresh air for proper operation.
- Be sure to have an appropriate foam-type fire extinguisher available, visible, and easily accessible located near the appliance.

40" DUAL FUEL RANGE INSTALLATION INSTRUCTIONS

SPECIAL INSTRUCTIONS FOR APPLIANCES INSTALLED IN THE STATE OF MASSACHUSETTS

This appliance can only be installed in the State of Massachusetts by a Massachusetts licensed plumber or gas fitter. When using a flexible gas connector, it must not exceed 3 feet (36 inches) in length. A "T" handle type manual gas valve must be installed in the gas supply line to this appliance.

CONVERSION TO L.P. GAS

This appliance allows for conversion to Liquefied Petroleum (L.P.) Gas.

⚠ WARNING Personal injury or death from electrical shock may occur if the conversion to L.P. gas is not made by a qualified installer or electrician. Any additions, changes or conversions required in order for this appliance to satisfactorily meet the application needs must be made by a qualified technician.

If L.P. conversion is needed, contact your local L.P. Gas provider for assistance. The L.P. conversion kit is provided with this appliance and is located on the lower REAR (back side) panel of the range. Before installing the kit be sure to read the L.P. Installation Instructions and follow them carefully when making the installation.

IMPORTANT INSTRUCTIONS FOR SERVICE AND MAINTENANCE

- Do not repair or replace any part of the appliance unless specifically recommended in the manuals. All other servicing should be done only by a qualified technician. This reduces the risk of personal injury and damage to the appliance.
- Always contact your dealer, distributor, service agent, or manufacturer about problems or conditions you do not understand.
- Ask your dealer to recommend a qualified technician and an authorized repair service. Know how to disconnect the power to the appliance at the circuit breaker or fuse box in case of an emergency.
- Remove the oven door from any unused oven if it is to be stored or discarded.
- Do not touch a hot oven light bulb with a damp cloth. Doing so could cause the bulb to break. Handle halogen lights (if equipped) with paper towels or soft gloves. Disconnect the appliance or shut off the power to the appliance before removing and replacing the bulb.

40" DUAL FUEL RANGE INSTALLATION INSTRUCTIONS

Product Dimensions

⚠ WARNING Do not install the unit in the cabinet before reading next two pages.

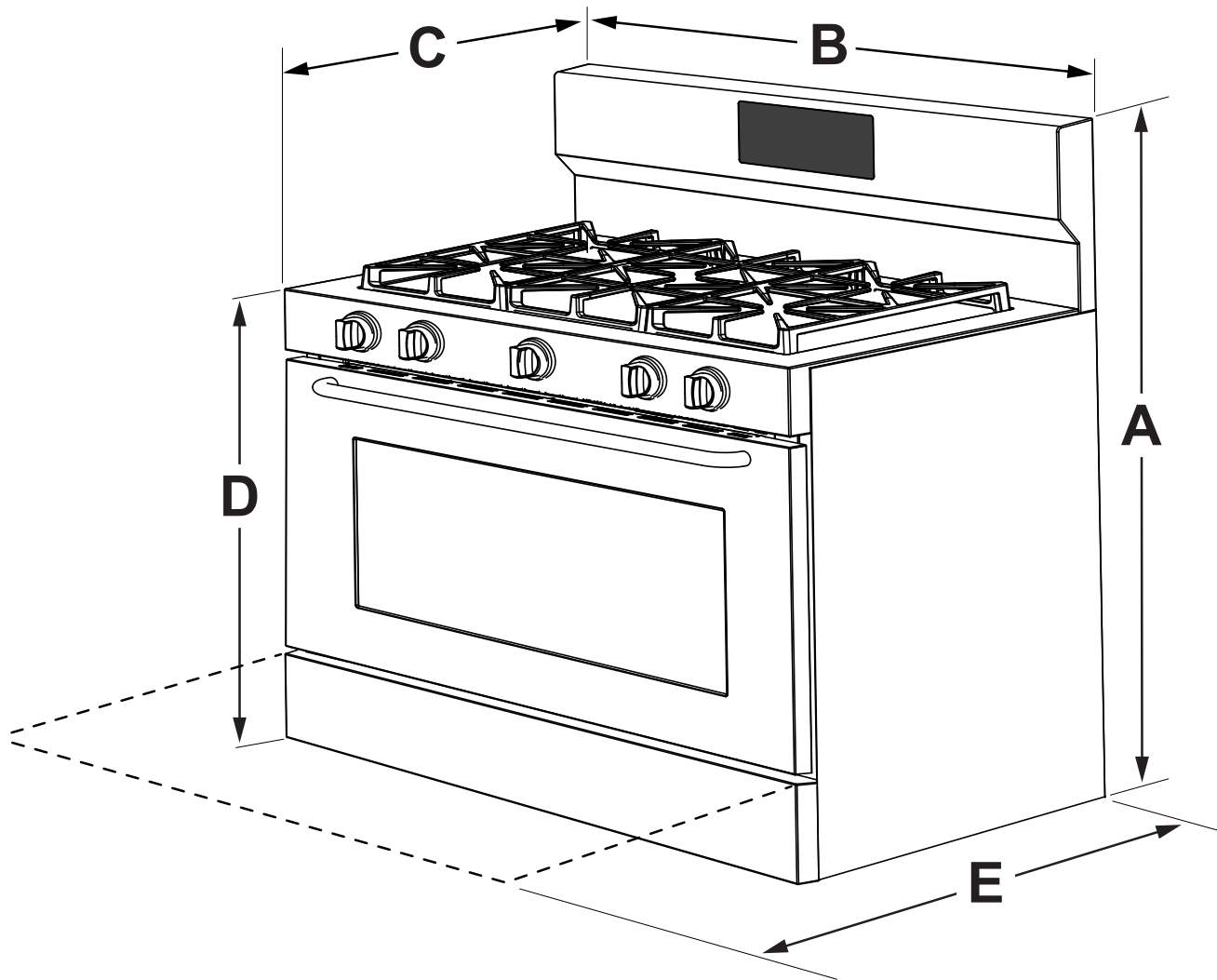


Figure 1: Product Dimensions

MODEL	A. HEIGHT	B. WIDTH	C. DEPTH TO FRONT OF RANGE	D. HEIGHT OF COOKTOP	E. DEPTH WITH DOOR OPEN
40"	49" (124.5cm) Max.	40" (101.6cm)	28 1/2" (72.4cm) Max.	36" (91.4cm) Max.	47 3/4" (121.3 cm)

40" DUAL FUEL RANGE INSTALLATION INSTRUCTIONS

Cabinet Dimensions

Clearances and Dimensions

- Provide adequate clearances between the appliance and adjacent combustible surfaces.
- Location - Check location where the appliance will be installed. Check for proper electrical supply and floor stability.
- Dimensions shown must be used. Given dimensions provide minimum clearance. Contact surface must be solid and level.

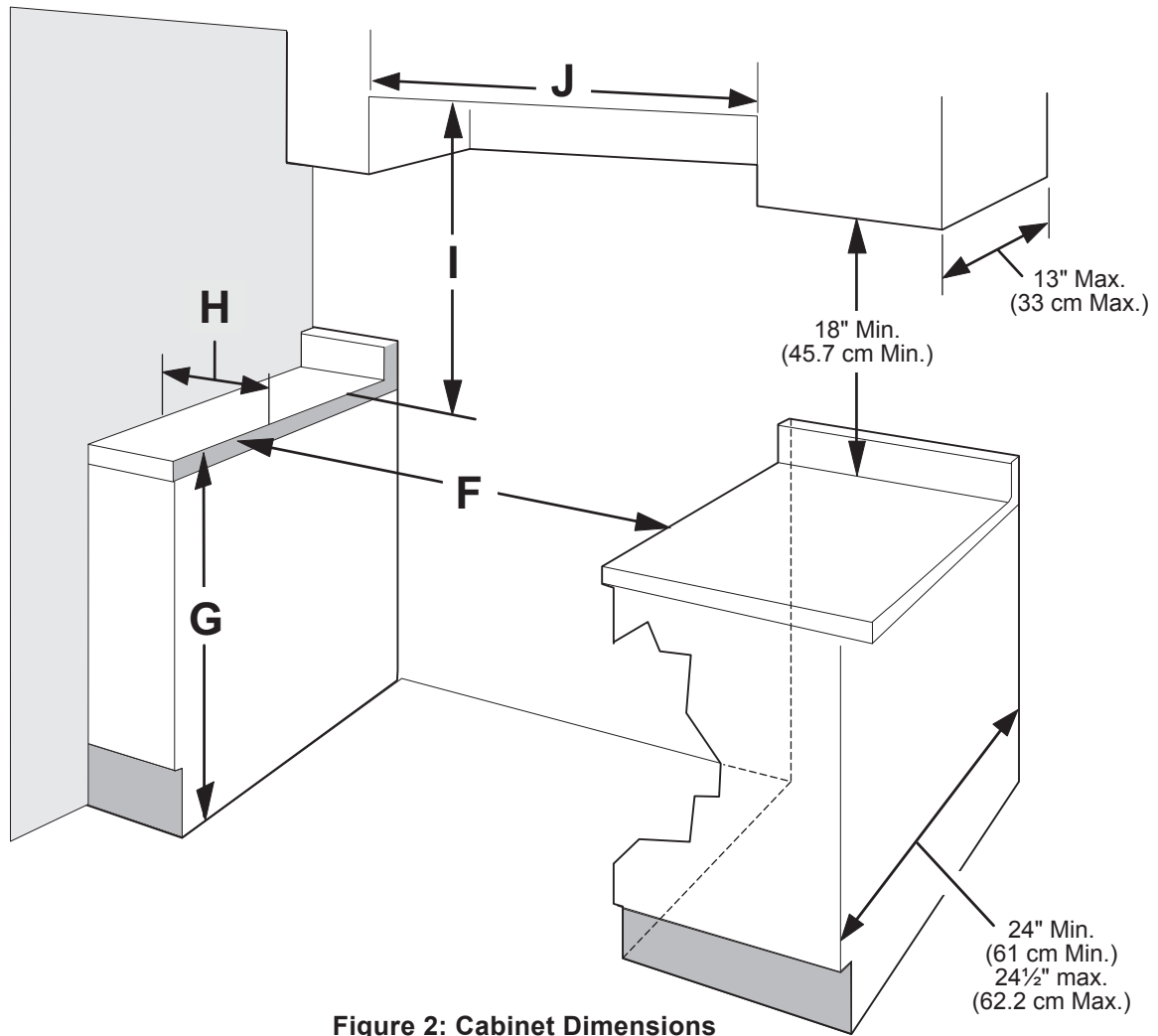


Figure 2: Cabinet Dimensions

MODEL	F. MINIMUM CUTOUT WIDTH	G. HEIGHT OF COUNTERTOP	H. CLEARANCE FROM SIDE WALLS ²	I. CLEARNACE FROM COOKTOP AND CABINET BOTTOM ³	J. CLEARANCE WIDTH OF OVERHEAD CABINETS
40"	40 1/4" (102.2cm)	36" (91.4cm) Standard 35 3/4" (90.8cm) Min.	5" (12.7cm) Min.	30" (76.2cm) Min.	40" (101.6cm) Min.

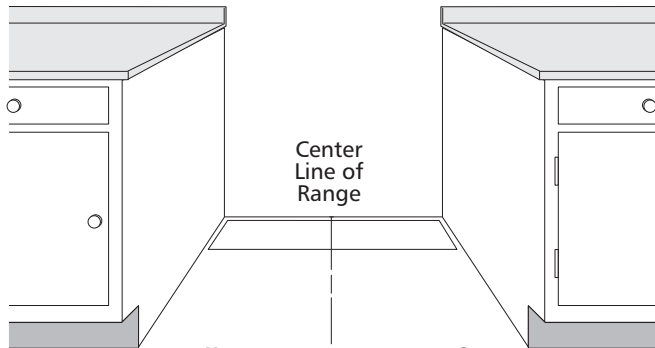
NOTES:

1. Do not seal the range to the side cabinets.
2. Clearance from adjacent walls or other vertical surfaces or structures such as cabinets.
3. Measurements listed are minimum clearance between the cooktop and the bottom of the cabinet.
4. 0" clearance between range and cabinets or vertical surfaces that are below the cooktop height.
5. 0" clearance between range back and rear wall or cabinet.

40" DUAL FUEL RANGE INSTALLATION INSTRUCTIONS

1 Cabinet Construction

⚠ CAUTION To eliminate the risk of burns or fire by reaching over heated surface units, do not have cabinet storage space above the range. If there is cabinet storage space above range, reduce risk by installing a range hood that projects horizontally a minimum of 5" (12.7 cm) beyond the bottom of the cabinet.



Follow instructions for the type of installation you have

Figure 3: Cabinet construction

1.1 Installation: Cabinet on Both Sides

1. If range will be installed with a cabinet on both sides, Draw a center line on the floor between the cabinets (Figure 5).
2. If back of range will not be flush with the wall (the location of the outlet may not allow the range to be positioned against the wall), draw a line on the floor where the back edge of the range will be.
3. Install anti-tip brackets (see "Anti-Tip Bracket Installation").

1.2 Installation: Cabinet on One Side Only

1. If range will be installed with a cabinet on one side only, move the range into final position.
2. Draw a line on the floor along the side of the range that is not against the cabinet. If back of range will not be flush with the wall (the location of the outlet may not allow the range to be positioned against the wall), draw a line on the floor where the back edge of the range will be.
3. Install anti-tip brackets (see "Anti-Tip Bracket Installation").

1.3 Installation: Without Cabinet

1. If range will not be installed against a cabinet, move range into final position.
2. Mark on the floor along both sides of the range. If back of range will not be flush with the wall (the location of the outlet may not allow the range to be positioned against the wall), draw a line on the floor where the back edge of the range will be.
3. Install anti-tip brackets (see "Anti-Tip Bracket Installation").

2 Electrical Requirements

⚠ WARNING

Electrical Shock Hazard –Electrical ground is required on this appliance. Use only the power cord supplied with the appliance. Improper connections and grounding may result in electric shock, damage to the appliance, personal injury, fire or death.

Grounding Requirements

This appliance must be installed and grounded by a qualified technician.

In the United States, install in accordance with the National Fuel Gas Code ANSI Z223.1/NPFA No. 54, latest edition and National Electrical Code NFPA No. 70 latest edition, and local electrical code requirements. In Canada, install in accordance with CAN/CGA B149.1 and CAN/CGA B149.2 and CSA Standard C22.1, Canadian Electrical code, Part 1-latest editions and local electrical code requirements.

For personal safety, this appliance must be properly grounded. For maximum safety, the power cord must be plugged into an electrical outlet that is the correct voltage, is correctly polarized and properly grounded in accordance with local codes. It is the personal responsibility of the consumer to have the appropriate outlet with the correct, properly grounded wall receptacle installed by a qualified electrician.

This appliance is intended to be plugged into a 14-50R standard wall receptacle.

Electrical Wall Receptacle	
	Required for all installations 4-Wire receptacle (14-50R)

When only 4-wire, single phase, 240 volt, 60 Hz, AC-only electrical supply is available, this appliance requires minimum 40 amp circuit protection fused on both sides of the line.

A time-delay circuit breaker or fuse is recommended.

Be sure the wall receptacle is within reach of the appliance's final installed location.

Do not pinch the power supply cord between the range and the wall.

40" DUAL FUEL RANGE INSTALLATION INSTRUCTIONS

Recommended Wall Outlet Installation Locations

Suggested location of the wall outlet is shown in Figure 4. The outlet may also be located in the lower left corner of the adjacent right cabinet, as shown in Figure 5.

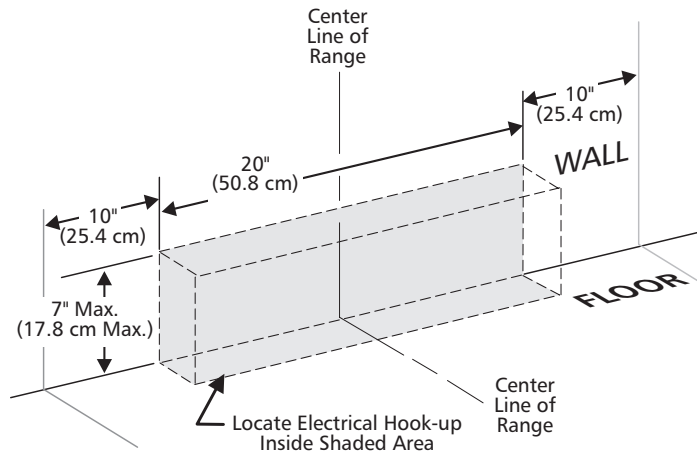


Figure 4: Outlet location behind range

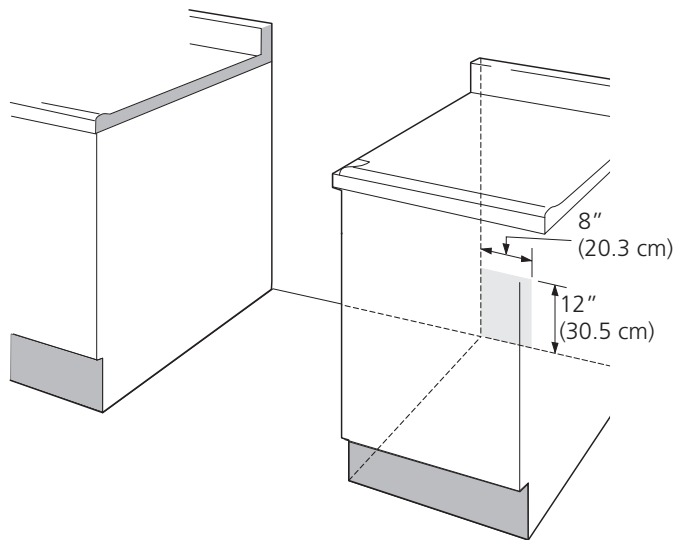


Figure 5: Adjacent cabinet outlet location

3 Power Supply Cord

⚠ WARNING

Electrical Shock Hazard –Do not attempt to install the appliance directly to a junction box, modify the factory-installed cord, or connect a different power cord to the appliance. If the wall outlet is not sufficient to support the requirements of this appliance, it is the responsibility of the consumer to have the appropriate outlet installed by an electrician. Improper installation and electrical connections can result in electric shock, damage to the appliance, personal injury, fire, or death.

This appliance is equipped with a factory-connected, 4-wire power supply cord (Figure 6). This cord is rated at 240 volts, 40 amps, and temperature rated at 194°F (90°C). This cord is UL/CSA listed and has been tested and approved for use with this appliance.

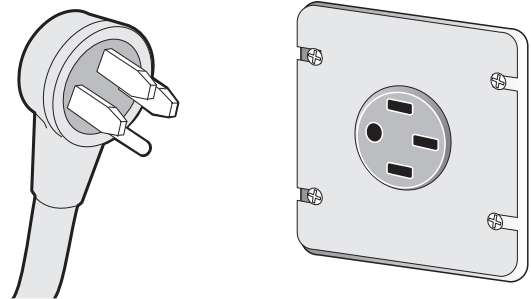


Figure 6: Factory connected power supply cord

Appliance Rating*		Power Supply Rating
120/240 Volts	120/208 Volts	Amps
0-10 kW	0-7.6 kW	30
8.8-16.5 kW	7.8-12.5 kW	40 or 50
16.6-22.5 kW	12.6-18.5 kW	50

* The NEC calculated load is less than the total connected load listed on the serial plate.

40" DUAL FUEL RANGE INSTALLATION INSTRUCTIONS

4 Fuel Supply Requirements

This unit is designed to operate on 4" (10.16 cm) water column (1.0 kPa) natural gas manifold pressure.

A convertible pressure regulator is connected to the range manifold and **MUST** be connected in series with the gas supply line. The regulator is located as shown on Figure 7 and it is accessible from front of the range.

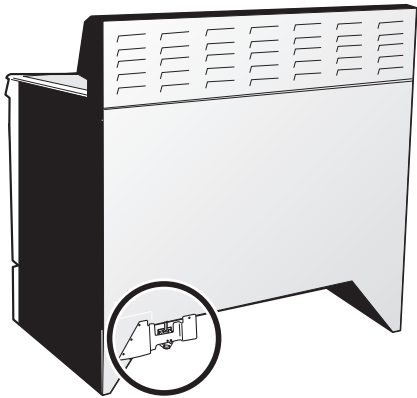


Figure 7: Regulator location

For proper operation, the maximum inlet pressure to the regulator should be no more than 14" (35.56 cm) of water column pressure (3.5 kPa).

The inlet pressure to the regulator must be at least 1" (0.25 kPa) greater than the regulator manifold pressure setting. The regulator is set for 4" (10.16 cm) water column (1.0 kPa) Natural gas manifold pressure; the inlet pressure must be at least 5" (12.60 cm) water column (1.25 kPa) Natural gas.

For operation at 2000 ft. above sea level, appliance rating is reduced by 4 percent for each additional 1000 ft.

4.1 Gas Supply Location

The gas supply piping can be through the side wall of the right cabinet. The right side cabinet is an ideal location for the main shutoff valve, if the range is installed within cabinet storage space.

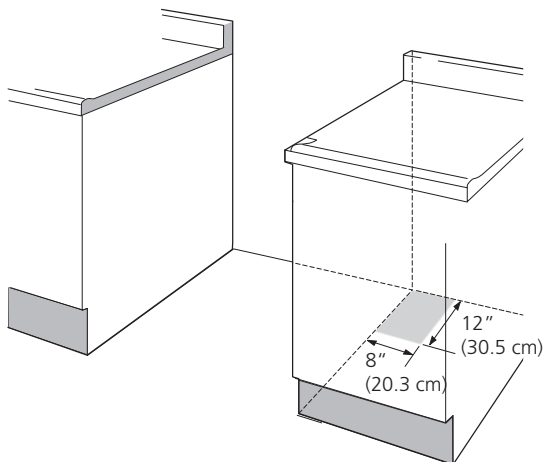


Figure 8: Recommended gas supply location

4.2 Shutoff Valve

The supply line should be equipped with an approved shutoff valve as shown in Figure 9. This valve should be located in the same room as the range and should be in a location that allows ease of opening and closing. Do not block access to the shutoff valve. The valve is for turning on or shutting off gas to the appliance.

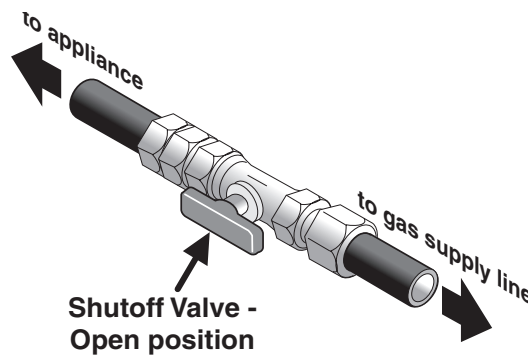


Figure 9: Shutoff valve

The gas supply between the shutoff valve and the regulator may be connected by rigid piping or by A.G.A./C.G.A.- approved flexible metallic union-connected piping where local codes permit use.

The user must know the location of the main shutoff valve and have easy access to it.

4.3 Conversion to Liquefied Petroleum (L.P.) Gas

This appliance allows for conversion to Liquefied Petroleum (L.P.) Gas.

⚠ WARNING Personal injury or death from electrical shock may occur if the conversion to L.P. gas is not made by a qualified installer or electrician. Any additions, changes or conversions required in order for this appliance to satisfactorily meet the application needs must be made by a qualified technician.

If L.P. conversion is needed, contact your local L.P. Gas provider for assistance. The L.P. conversion kit is provided with this appliance and is located on the lower REAR (back side) panel of the range. Before installing the kit be sure to read the L.P. Installation Instructions and follow them carefully when making the installation.

For LP/Propane gas, the regulator must be set for 10" (25.4 cm) water column (2.5 kPa) manifold pressure; the inlet pressure must be at least 11" (27.9 cm) water column (2.75 kPa).

40" DUAL FUEL RANGE INSTALLATION INSTRUCTIONS

5 Connect Fuel Supply

5.1 Fuel Supply Connection

⚠ WARNING This appliance must be installed, grounded, and serviced by a qualified installer or service technician.

⚠ CAUTION Do not make connections too tight. The regulator is die cast. Overtightening may crack the regulator resulting in a gas leak and possible fire or explosion.

This appliance includes a regulator. The gas supply line requires the following parts which are not supplied with the appliance:

- Manual shutoff valve
- 1/2" nipples (2)
- 1/2" flare union adapter (2)
- Flexible connector

The gas supply line to the shutoff valve should be 1/2"(1.27 cm) or 3/4"(1.9 cm) solid pipe.

Install the gas supply pipe to the pressure regulator in the order shown in Figure 10. All connections should be tightened with a wrench.

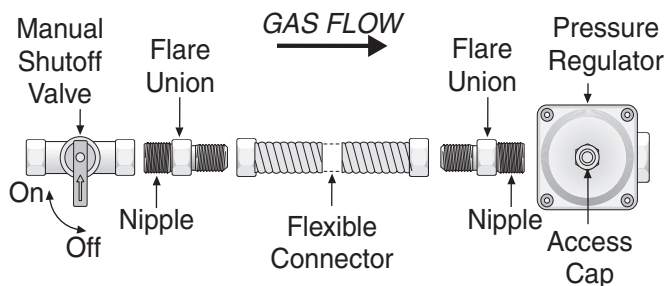


Figure 10: Fuel supply connection flow

When using flexible gas conduit on the range, allow sufficient slack to pull the range outside the cutout for cleaning or servicing.

Use pipe-joint compound made for use with Natural and LP/Propane gas to seal all gas connections. If flexible connectors are used, be certain connectors are not kinked.

Do not allow the flexible conduit to get pinched between the wall and the range.

5.2 Check For Leaks

⚠ WARNING Do not use a flame to check for leaks from gas connections. Checking for leaks with a flame may result in a fire or explosion.

After connecting the range to the gas supply, check the system for leaks with a manometer. If a manometer is not available, turn on the gas supply and use a liquid leak detector (or soap and water) at all joints and connections to check for leaks. Leaks will be indicated by bubbles appearing at the connections or joints.

All openings in the wall or floor where the range is to be installed must be sealed.

1. Tighten all connections if necessary to prevent gas leakage in the cooktop or supply line.
2. Disconnect this range and its individual shutoff valve from the gas supply piping system during any pressure testing of the system at test pressures greater than 1/2 psig (3.5 kPa or 14"(35.56 cm) water column).
3. Isolate the range from the gas supply piping system by closing its individual manual shutoff valve during any pressure testing of the gas supply piping system at test pressures equal to or less than 1/2 psig (3.5 kPa or 14"(35.56 cm) water column).

40" DUAL FUEL RANGE INSTALLATION INSTRUCTIONS

6 Install the Oven Racks

The oven racks are supported inside the oven cavity by two ladder racks, installed on the oven walls.

1. Place the ladder racks hook-side up into the support brackets located on the oven sides (see Figure 11).

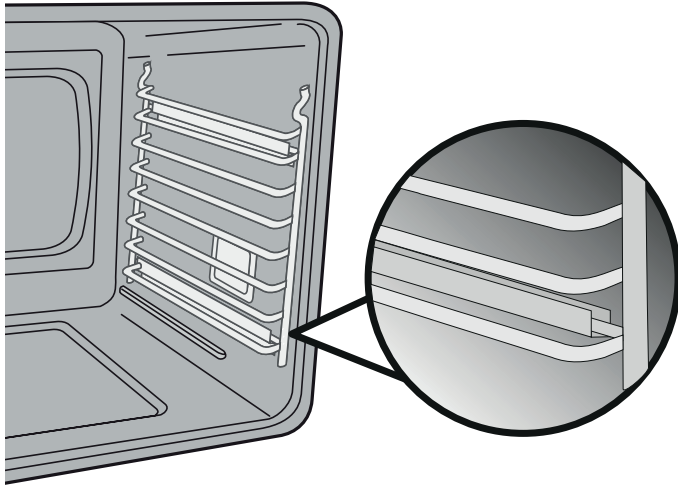


Figure 11: Ladder rack supports

2. Place the flat oven racks into the desired positions.

To aid installation and movement of oven racks, apply a thin layer of cooking oil to the sides of the oven racks that contact the ladder supports.

7 Level the Range

Level the range and set cooktop height before installation in the cut-out opening (if applicable).

1. Install an oven rack in the center of the oven.
2. Place a level on the rack (Figure 12). Take two readings with the level placed diagonally in one direction and then the other.

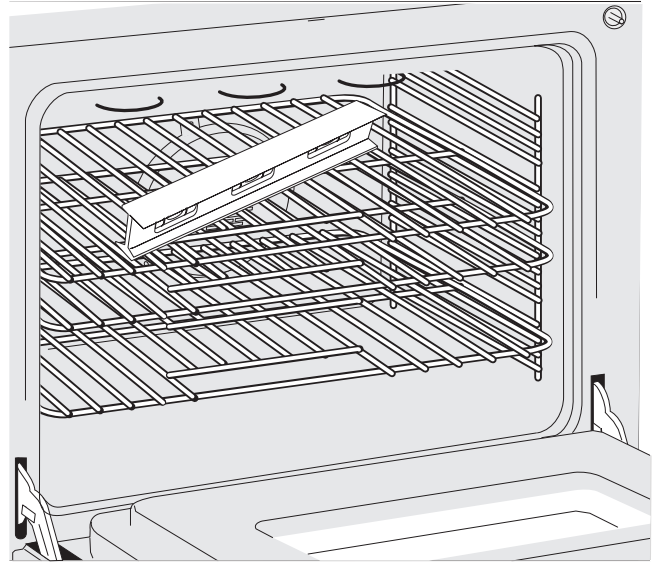


Figure 12: Use the oven racks to level appliance

3. Level the range, if necessary, by adjusting the four leg levelers with a wrench (Figure 13).
4. Slide range into cut-out opening and double check for levelness. If the range is not level, pull unit out and readjust leveling legs, or make sure floor is level.

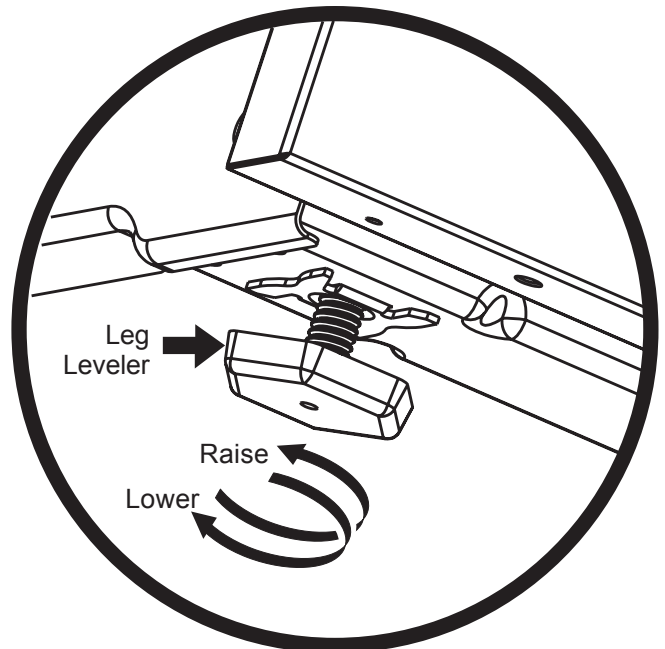


Figure 13: Adjusting appliance height

40" DUAL FUEL RANGE INSTALLATION INSTRUCTIONS

8 Install Anti-Tip Bracket

⚠ WARNING To reduce the risk of tipping the appliance, the appliance must be secured to the floor by the properly installed anti-tip bracket and screws packed with the range. These parts are located in the oven. Failure to install the anti-tip bracket will allow the range to tip over if excessive weight is placed on an open door or if a child climbs on it. Serious injury might result from spilled hot liquids or from the range itself.

If range is ever moved to a different location, the anti-tip brackets must also be moved and installed with the range.

Tools Required:

- Adjustable Wrench
- Ratchet
- Drill & 1/8" (0.32 cm) bit
- 5/16" (0.8 cm) Nut driver
- Level

8.1 Locate the Bracket Using the Template

Bracket may be located on either the left or right side of the range. Mark the floor or wall where left or right side of the range will be located.

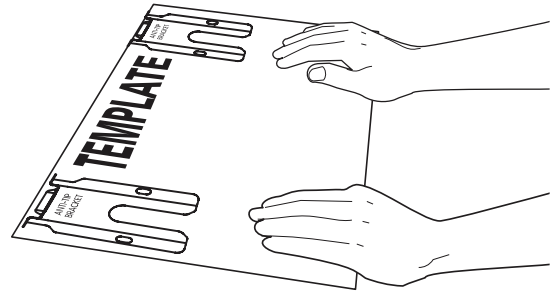


Figure 14: Bracket template

If rear of range is against the wall or no further than 1 1/4" (3.2 cm) from wall when installed, you may use the wall or floor mount method. If moulding is installed and does not allow the bracket to fit flush against the wall, remove moulding or mount bracket to the floor.

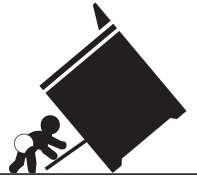
For wall mount, locate the bracket by placing the back edge of the template against the rear wall and the side edge of template on the mark made referencing the side of the range. Place bracket on top of template and mark location of the screw holes in wall.

If rear of range is further than 1 1/4" (3.2 cm) from the wall when installed, attach bracket to the floor. For floor mount, locate the bracket by placing back edge of the template where the rear of the range will be located.

Mark the location of the screw holes shown in template.

⚠ WARNING

Tip Over Hazard

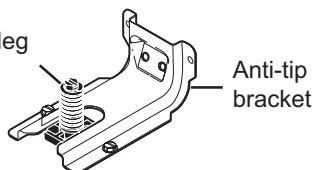


- A child or adult can tip the range and be killed.
- Verify the anti-tip device has been installed to floor or wall.

- Ensure the anti-tip device is re-engaged to floor or wall when the range is moved.
- Do not operate the range without the anti-tip device in place and engaged.
- Failure to follow these instructions can result in death or serious burns to children and adults.



Range leveling leg



Anti-tip bracket

To check if the anti-tip bracket is installed properly, use both arms to grasp the rear edge of the range back. Carefully attempt to tilt range forward. When properly installed, the range should not tilt forward.

Refer to the anti-tip bracket installation instructions supplied with your range for proper installation.

40" DUAL FUEL RANGE INSTALLATION INSTRUCTIONS

8.2 Drill Pilot Holes and Fasten Bracket

Drill a 1/8" pilot hole where screws are to be located. If bracket is to be mounted to the wall, drill pilot hole at an approximate 20° downward angle. If bracket is to be mounted to masonry or ceramic floors, drill a 3/16" (4.8 mm) pilot hole 1-3/4" deep.

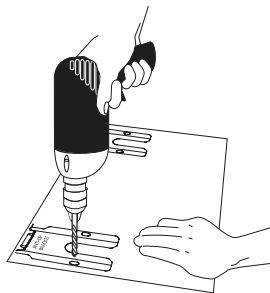


Figure 15: Drill pilot holes

The screws provided may be used in wood or concrete material. Use a 5/16" nut-driver or flat head screwdriver to secure the bracket in place.

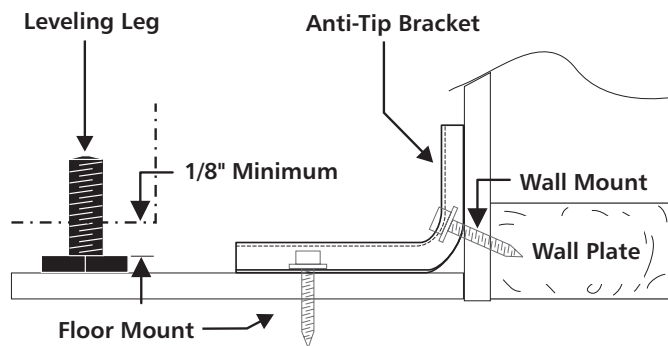


Figure 16: Fastening the bracket

8.3 Check Level and Position the Range

Check the level of the final installation. Note: A minimum clearance of 1/8" is required between the bottom of the range and the levelling leg to allow room for the bracket. Use a spirit level to check your adjustments.

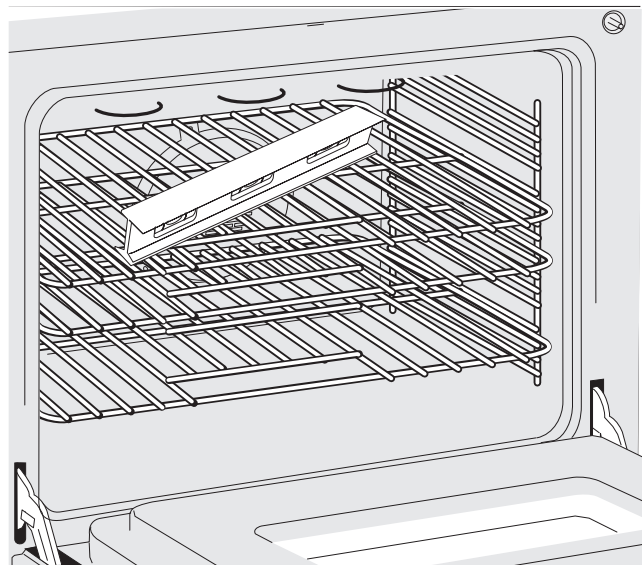


Figure 17: Use the oven racks to level appliance

Slide range into position.

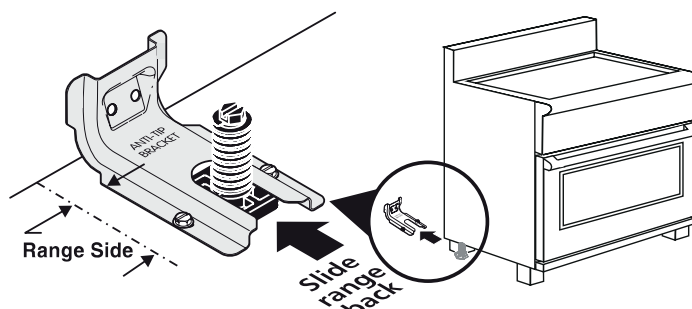


Figure 18: Slide appliance into bracket

To check if the anti-tip bracket is installed properly, use both arms and grasp the rear edge of range back. Carefully attempt to tilt range forward. When properly installed, the range should not tilt forward.

If range is moved to a different location, the anti-tip brackets must also be moved and installed with the range.

40" DUAL FUEL RANGE INSTALLATION INSTRUCTIONS

9 Prepare Burner Assemblies

9.1 Install Burner Caps

CAUTION To prevent flare-ups use the cooktop with all burner caps properly installed.

1. Place a burner cap on each burner head, matching the cap size to the head size (see Figure 19). The cap for each burner has an inner locating ring which centers the cap correctly on the burner head.

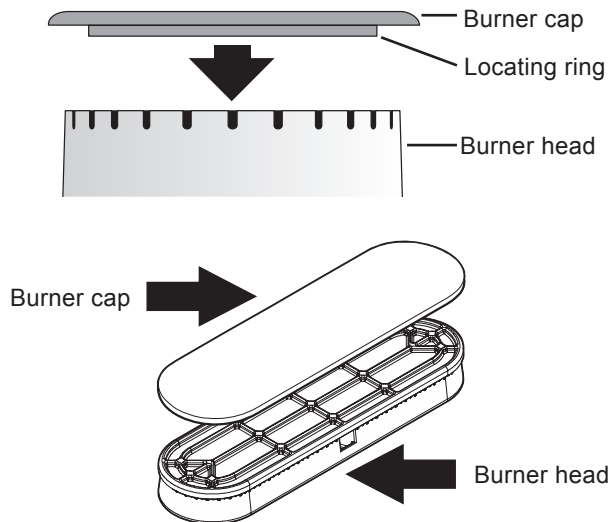


Figure 19: Burner cap assembly

2. Make sure each burner cap is properly aligned and level, as shown in Figure 20. Burners may not light or burn evenly if the burner caps are not correctly placed on the head.

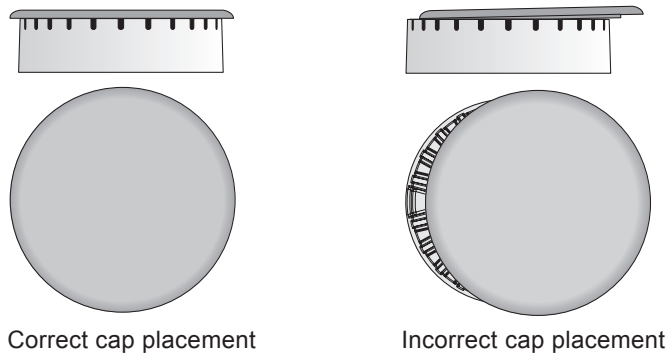


Figure 20: Burner cap placement

9.2 Check Ignition on Surface Burners

Operation of electric igniters should be checked after range and supply line connectors have been carefully checked for leaks and range has been connected to electric power. To check for proper lighting:

1. Push in and turn a surface burner knob to the sparking position. All electronic surface igniters will spark at the same time. Only the burner you are turning on will ignite.
2. The surface burner should light once the flow of gas reached the surface burner. Each burner should light within four seconds in normal operation after air has been purged from supply lines. Visually check that burner has lit.
3. Once the burner lights, the control knob should be turned out of the LITE position.

Turn on each of the surface burners and check to see that they light properly and that the flames are even. Adjust settings if necessary.

40" DUAL FUEL RANGE INSTALLATION INSTRUCTIONS

9.3 Adjust Low Settings on Surface Burners

To adjust the low setting of surface burners:

1. Push in and turn control to LITE until burner ignites.
2. Quickly turn knob to LOWEST POSITION.
3. If burner goes out, reset control to OFF.
4. Remove the surface burner control knob and decorative ring.
5. Insert a thin-bladed screwdriver into the hollow valve stem and engage the slotted screw inside as shown in Figure 21. Flame size can be increased or decreased by turning the screw.

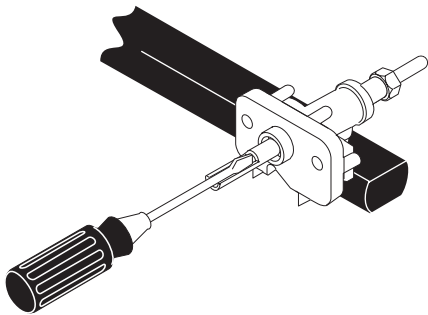


Figure 21: Turn to adjust surface flame

6. Adjust flame until you can quickly turn knob from the sparking position to the lowest flame position without extinguishing the flame. Flame should be as small as possible without going out.

Notes:

- Air mixture adjustment is not required on surface burners.
- Some models have two flames on a burner. The center flame on these burners is not adjustable.

10 Check Oven Operation

Refer to the Use and Care Guide packaged with the range for operating instructions and for care and cleaning of your range.

Remove all packaging from the oven before testing.

The oven is equipped with an electronic oven control. Each of the functions has been factory checked before shipping. However, it is suggested that you verify the operation of the electronic oven controls once more. Refer to the Owner's Guide for operation. Follow the instructions for the Clock, Timer, Bake, Broil, Convection, and Clean functions.

Bake—After setting the oven to 350°F (177°C) for baking, the floor of the oven cavity should become warm.

Broil—When the oven is set to BROIL, the upper element in the oven should become red.

Clean—When the oven is set for a self-cleaning cycle, the upper element should become red during the preheat portion of the cycle. After reaching the self-cleaning temperature, the floor of the oven cavity should become hot.

Convection—When the oven is set to CONV. BAKE/ROAST at 350°F (177°C), both elements cycle on and off alternately and the convection fan will turn. The convection fan will stop turning when the oven door is opened during convection baking or roasting.

40" DUAL FUEL RANGE INSTALLATION INSTRUCTIONS

11 After Installation

When All Hookups are Complete

Make sure all controls are left in the OFF position.

Model and Serial Number Location

The serial plate is located on top of the range's lower front panel, and can be clearly viewed when the door is open. When ordering parts for or making inquiries about your range, have the model and serial numbers ready. (Figure 22).

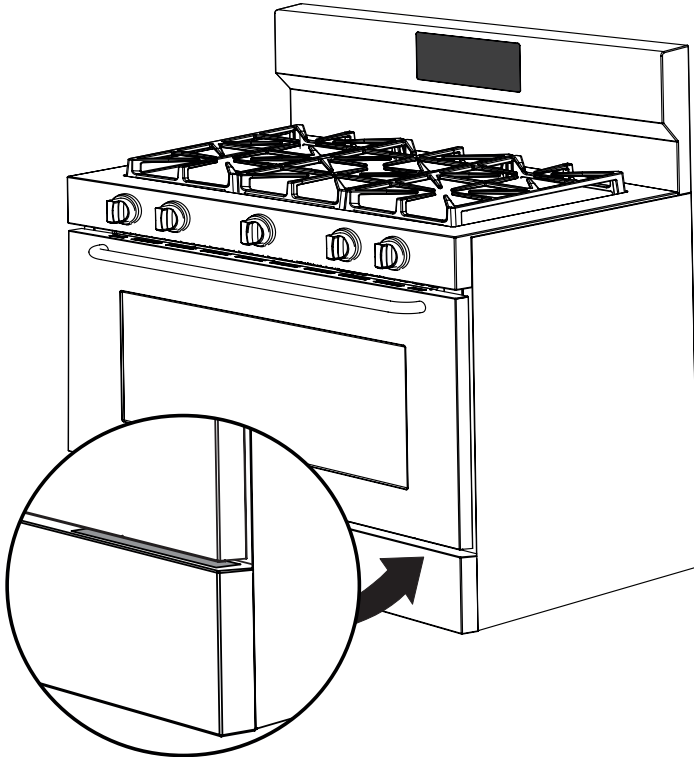


Figure 22: Model, serial number location

Before You Call for Service

Read the Avoid Service Checklist and operating instructions in your Owner's Guide. It may save you time and expense. The list includes common occurrences that are not the result of defective workmanship or materials in this appliance.

Refer to the warranty and service information in your Owner's Guide for our phone number and address. Please call or write if you have inquiries about your range product and/or need to order parts.

INSTRUCCIONES DE INSTALACIÓN

COCINA DE DOBLE COMBUSTIBLE DE 40"

LAS OPERACIONES DE INSTALACIÓN Y SERVICIO TÉCNICO DEBE REALIZARLAS UN INSTALADOR CUALIFICADO.

IMPORTANTE: GUARDAR PARA USO DEL INSPECTOR ELÉCTRICO LOCAL. LEA Y GUARDE ESTAS INSTRUCCIONES PARA FUTURA CONSULTA.

Estados Unidos



⚠️ ADVERTENCIA POR SU SEGURIDAD: No almacene ni utilice gasolina ni otros vapores o líquidos inflamables cerca de este o algún otro electrodoméstico.

Canadá



Índice

Instrucciones importantes para la seguridad.....	18-20
Dimensiones del producto.....	21
Dimensiones del armario.....	22
Construcción del armario.....	23
Requisitos eléctricos.....	23-24
Cable de alimentación eléctrica.....	24
Requisitos de suministro de combustible.....	25
Conexión del suministro de combustible.....	26

Instalación de las parrillas del horno.....	27
Nivelación de la cocina.....	27
Instalación del soporte antivuelco.....	28-29
Preparación de los conjuntos de quemador.....	30-31
Comprobación del funcionamiento del horno.....	31
Después de la instalación.....	32
Ubicación de la placa que informa del número de modelo y de serie.....	32

Notas importantes para el instalador

1. Lea todas las indicaciones contenidas en estas instrucciones antes de instalar la cocina.
2. Retire todo el material de embalaje de los compartimentos del horno antes de conectar el suministro de energía eléctrica a la cocina.
3. Se debe instalar el soporte antivuelco facilitado con el electrodoméstico.
4. Cumpla toda la normativa vigente.
5. Asegúrese de dejar estas instrucciones al consumidor.

Nota importante para el consumidor


1. Guarde estas instrucciones con la guía del propietario para futuras consultas.
2. Cuando se utilizan electrodomésticos que generan calor es necesario tomar ciertas precauciones de seguridad. Estas precauciones se explican en el manual de uso y cuidado. Lea detenidamente el manual.
3. Asegúrese de que el electrodoméstico sea instalado y conectado a tierra por un instalador o técnico de servicio cualificado.

INSTRUCCIONES DE SEGURIDAD IMPORTANTES

Las operaciones de instalación, puesta a tierra y servicio técnico de este electrodoméstico debe realizarlas un instalador o técnico de servicio cualificado.

Este manual contiene símbolos e instrucciones de seguridad importantes. Preste atención a estos símbolos y siga todas las instrucciones. No intente instalar o usar su electrodoméstico hasta haber leído las precauciones de seguridad indicadas en este manual. Las indicaciones de seguridad presentes en este manual están etiquetadas como "ADVERTENCIA" o "PRECAUCIÓN" de acuerdo con el nivel de riesgo.

Las advertencias e instrucciones importantes que aparecen en esta guía no pretenden cubrir todas las posibles condiciones y situaciones que pueden ocurrir. Se debe tener sentido común, precaución y cuidado durante la instalación, mantenimiento y uso del electrodoméstico.

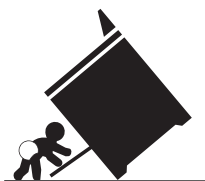
 Este es el símbolo de las alertas de seguridad. Se usa para alertar sobre peligros potenciales de lesiones. Obedezca todos los mensajes de seguridad que lleven este símbolo para evitar posibles lesiones o la muerte.

ADVERTENCIA Representa una situación potencialmente peligrosa que, si no se evita, puede tener como resultado la muerte o una lesión grave.

PRECAUCIÓN Representa una situación potencialmente peligrosa que, si no se evita, puede tener como resultado una lesión leve o moderada.

IMPORTANTE: Indica información de instalación, operación, mantenimiento u otra información útil no relacionada con situaciones de peligro.

ADVERTENCIA Peligro de volcado

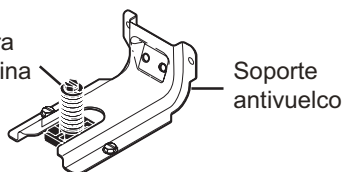


- Un niño o adulto puede volcar la cocina y resultar muerto.
- Verifique que el dispositivo antivuelco ha sido instalado en el suelo o la pared.

- Cuando se desplace la cocina, asegúrese de que el dispositivo antivuelco es instalado de nuevo en el suelo o la pared.
- No utilice la cocina sin este dispositivo acoplado.
- El incumplimiento de estas instrucciones puede provocar la muerte o quemaduras graves a niños y adultos.



Pata niveladora de la cocina



Soporte antivuelco

Para comprobar si el soporte antivuelco se ha instalado correctamente, sostenga con ambas manos el borde posterior de la parte trasera de la cocina. Con cuidado, trate de inclinarla hacia delante. Cuando se ha instalado correctamente, la cocina no debería inclinarse.

Consulte las instrucciones de instalación del soporte antivuelco de su cocina.

ADVERTENCIA Si no se sigue exactamente la información contenida en este manual podría ocurrir un incendio o explosión causando daños materiales, lesiones o muerte.

POR SU SEGURIDAD:

- No almacene ni utilice gasolina ni otros vapores o líquidos inflamables cerca de este o algún otro electrodoméstico.
- QUÉ HACER SI HUELE A GAS:**
 - No encienda ningún electrodoméstico.
 - No toque ningún interruptor eléctrico; no utilice ningún teléfono de la casa.
 - Llame inmediatamente a la empresa de suministro de gas desde el teléfono de un vecino. Siga las instrucciones de la empresa de suministro.
 - Si no puede ponerse en contacto con la empresa de suministro de gas, llame a los bomberos.
- Las operaciones de instalación y servicio técnico debe realizarlas un instalador o proveedor de servicios cualificado o la empresa suministradora de gas.

INSTRUCCIONES DE INSTALACIÓN DE LA COCINA DE DOBLE COMBUSTIBLE DE 40"

⚠ ADVERTENCIA

- **Peligro de peso excesivo** -- Para mover e instalar la cocina se necesitan dos personas como mínimo. Si no se cumple esta instrucción podrían provocarse problemas de espalda y otras lesiones.
- **Almacenamiento en o sobre el electrodoméstico** -- No se deben guardar materiales inflamables en el horno o microondas, cerca de quemadores o elementos de superficie, ni en el cajón del horno o el cajón calentador (si se dispone). Esto incluye objetos de papel, plástico o tela, como libros de cocina, utensilios de plástico o paños, así como líquidos inflamables. No almacene materiales explosivos, como aerosoles, en o cerca del electrodoméstico.
- **No deje a los niños solos** -- No se debe dejar a los niños solos o sin vigilancia en el área donde se usa el electrodoméstico. Nunca permita que los niños se sienten o pongan de pie sobre ninguna parte del electrodoméstico, incluyendo el cajón de almacenamiento, el cajón asador inferior, el cajón calentador o el horno doble inferior.
- No guarde artículos que despierten el interés de los niños en armarios situados encima del electrodoméstico o en los protectores traseros de cocinas. Si los niños se suben a la cocina para alcanzar dichos artículos podrían sufrir lesiones graves.
- Pisar, apoyarse o sentarse en la puerta o cajones de este electrodoméstico puede tener como resultado lesiones graves y también puede causar daños al electrodoméstico.
- No utilice el horno ni el cajón calentador (si se dispone) como armario.
- No utilice nunca el electrodoméstico como estufa para calentar o caldear la habitación. Hacerlo podría provocar intoxicación de monóxido de carbono y sobrecalentamiento del electrodoméstico.
- No almacene ni utilice gasolina ni otros vapores o líquidos inflamables cerca de este o algún otro electrodoméstico.
- No se deben utilizar aparatos de cortina de aire o campanas de cocina que funcionen soplando un flujo de aire descendente sobre una cocina o placa de cocción a gas cuando el aparato o campana y la cocina o placa de cocción no hayan sido diseñadas, probadas y certificadas por un laboratorio de ensayo independiente para su uso combinado.

- Destruya la caja de cartón y las bolsas de plástico después de desembalar la cocina. No deje nunca que los niños jueguen con el material de embalaje. No quite la etiqueta de cableado ni otra información adherida al electrodoméstico. No quite la placa del número de modelo/serie.
- Las temperaturas frías pueden dañar el control electrónico. Cuando se utilice este electrodoméstico por primera vez, o cuando haya estado fuera de uso durante un periodo prolongado de tiempo, asegúrese de mantenerlo por encima de 0 °C (32 °F) durante tres horas como mínimo antes de encenderlo.
- No modifique ni altere la construcción del electrodoméstico retirando las patas niveladoras, los paneles, los protectores de cables, los tornillos o soportes antivuelco u otras piezas del electrodoméstico.
- Instalación correcta -- Asegúrese de que el electrodoméstico sea instalado y puesto a tierra correctamente por un técnico cualificado. En Estados Unidos, realice la instalación de acuerdo con los requisitos del Código Nacional de Gas Combustible ANSI Z223.1/NPFA N° 54 (última edición), del Código Eléctrico Nacional NFPA N° 70 (última edición) y de la normativa eléctrica local. En Canadá, la instalación debe realizarse de conformidad con los requisitos de CAN/CGA B149.1 y CAN/CGA B149.2 y la Norma CSA C22.1, Código Eléctrico de Canadá, Parte 1 (últimas ediciones) y de la normativa eléctrica local. Realice la instalación siguiendo exclusivamente las instrucciones proporcionadas en la documentación del electrodoméstico.
- La instalación de electrodomésticos diseñados para casas prefabricadas (casas móviles) debe cumplir el Estándar de Construcción y Seguridad para Casas Prefabricadas, título 24 CFR, Sección 3280 [anteriormente, el Estándar Federal de Construcción y Seguridad para Casas Móviles, título 24 HUD, Sección 280], o cuando dichos estándares no procedan, el Estándar de Instalación de Casas Prefabricadas de 1982 (Emplazamientos, Comunidades y Asentamientos de Casas Prefabricadas), ANSI Z225.1/NFPA 501A (última edición), o los códigos locales de Estados Unidos y el CAN/CSA-Z240 MH en Canadá.
- Antes de instalar la cocina en una zona con recubrimiento de linóleo o cualquier otro tipo de suelo sintético, deberá asegurarse de que el recubrimiento del suelo podrá soportar temperaturas que superen 32,2 °C (90 °F) la temperatura ambiente sin que se deterioren, se resquebrajen o pierdan color. No instale la cocina sobre suelos enmoquetados salvo que se coloque un recubrimiento de protección o una lámina de aislamiento de 0,64 cm contrachapada para aislar la cocina de la moqueta.

INSTRUCCIONES IMPORTANTES DE DESEMBALAJE E INSTALACIÓN

Lea y siga las instrucciones y precauciones siguientes para desembalar, instalar y realizar el servicio técnico de su electrodoméstico:

INSTRUCCIONES DE INSTALACIÓN DE LA COCINA DE DOBLE COMBUSTIBLE DE 40"

- Asegúrese de que los recubrimientos de pared y los materiales de los armarios que se coloquen alrededor de la cocina puedan soportar el calor generado por el electrodoméstico.
- Para eliminar el peligro de quemaduras o incendio por sobrecalentamiento de unidades de superficie, se debe evitar colocar armarios encima de la placa de cocción. Si es necesario que haya un armario, el riesgo se puede reducir instalando una campana de cocina que se proyecte horizontalmente un mínimo de 12,7 cm por delante de la parte inferior del armario.
- No obstruya el flujo de aire en el respiradero del horno, alrededor de la base ni por debajo del panel frontal inferior del electrodoméstico. Para un funcionamiento correcto, esta cocina necesita aire fresco.
- Asegúrese de tener cerca del electrodoméstico, a la vista y fácilmente accesible un extintor de incendios de espuma apropiado.

INSTRUCCIONES ESPECIALES PARA ELECTRODOMÉSTICOS INSTALADOS EN EL ESTADO DE MASSACHUSETTS

En el Estado de Massachusetts, este electrodoméstico solo puede ser instalado por un fontanero o instalador de gas autorizado en el Estado. Cuando se utilice un conector de gas flexible, éste no debe tener más de 0,90 m (36") de longitud. En la tubería de suministro de gas a la cocina se debe instalar una válvula manual de gas tipo manivela en "T".

CONVERSIÓN A GLP

Este electrodoméstico permite su conversión para utilizar gas licuado de petróleo (GLP).

⚠ ADVERTENCIA Se pueden producir lesiones o la muerte por descarga eléctrica si la conversión a GLP no la realiza un instalador o electricista cualificado. Todas las adiciones, cambios o conversiones necesarias para que este electrodoméstico cumpla satisfactoriamente la aplicación debe realizarlas un técnico cualificado.

Si es necesario efectuar la conversión a GLP, póngase en contacto con el proveedor local de este gas para obtener asistencia. Con el electrodoméstico se suministra un kit de conversión a GLP; se encuentra en el panel TRASERO inferior de la cocina. Antes de instalar el kit, lea las instrucciones de instalación de GLP y sígalas minuciosamente.

INSTRUCCIONES IMPORTANTES DE SERVICIO TÉCNICO Y MANTENIMIENTO

- No repare ni reemplace ninguna pieza del electrodoméstico a menos que se recomiende específicamente en los manuales. Las reparaciones adicionales deben ser realizadas por un técnico cualificado. De esta forma se reduce el riesgo de lesiones y de daños en el electrodoméstico.
- Ante problemas o condiciones que no comprenda, póngase siempre en contacto con su concesionario, distribuidor, agente de servicio técnico o fabricante.
- Consulte con su distribuidor para que le recomiende un técnico cualificado y un centro de servicio autorizado. Aprenda a desconectar la energía eléctrica del electrodoméstico en el disyuntor o en la caja de fusibles en caso de emergencia.
- Si se va a almacenar o desechar un horno fuera de servicio, quite la puerta.
- No toque nunca la bombilla del horno caliente con un paño húmedo. Hacerlo podría provocar la rotura de la bombilla. Las luces halógenas se deben manipular con toallitas de papel o unos guantes suaves. Desconecte el electrodoméstico o apague la alimentación eléctrica antes de quitar y reemplazar la bombilla.

Dimensiones del producto

⚠ ADVERTENCIA No instale la unidad en el armario antes de leer las dos páginas siguientes.

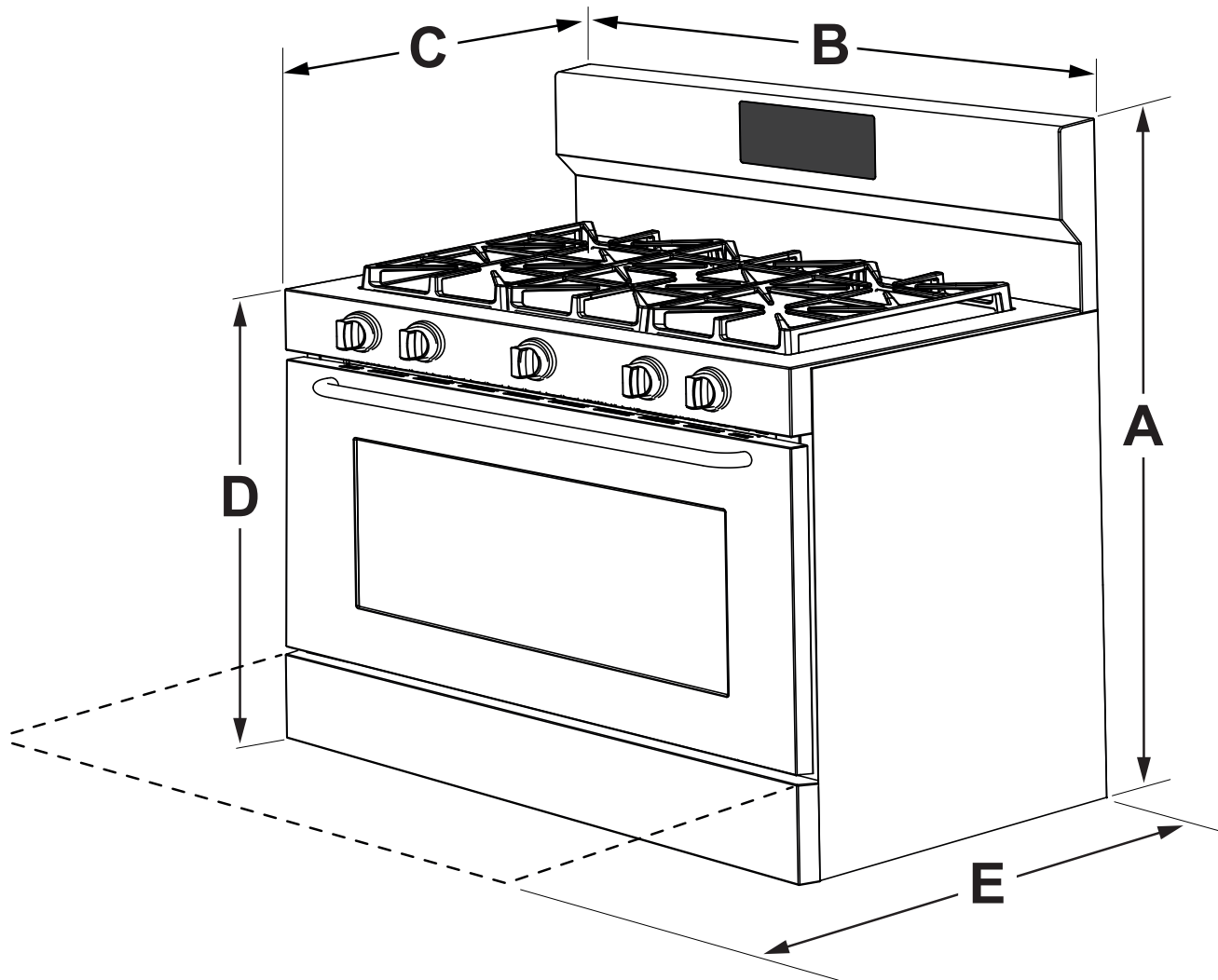


Figura 1: Dimensiones del producto

MODELO	A. ALTURA	B. ANCHURA	C. PROFUNDIDAD TOTAL A FRENTE DE COCINA	D. ALTURA DE LA PLACA DE COCCIÓN	E. PROFUNDIDAD CON LA PUERTA ABIERTA
40"	121 cm (47 5/8")	101,6 cm (40")	72,4 cm (28 1/2") máx.	91,4 cm (36") máx.	113,7 cm (44 3/4")

INSTRUCCIONES DE INSTALACIÓN DE LA COCINA DE DOBLE COMBUSTIBLE DE 40"

Dimensiones del armario

Separaciones y dimensiones

- Entre la cocina y superficies combustibles adyacentes debe existir un espacio libre adecuado.
- Ubicación - Compruebe la ubicación donde se vaya a instalar la cocina. Compruebe la estabilidad del suelo y que la alimentación eléctrica es correcta.
- Se deben utilizar las dimensiones que se indican en la figura. Son una indicación del espacio libre mínimo que debe existir. Las superficies de contacto deben ser sólidas y estar niveladas.

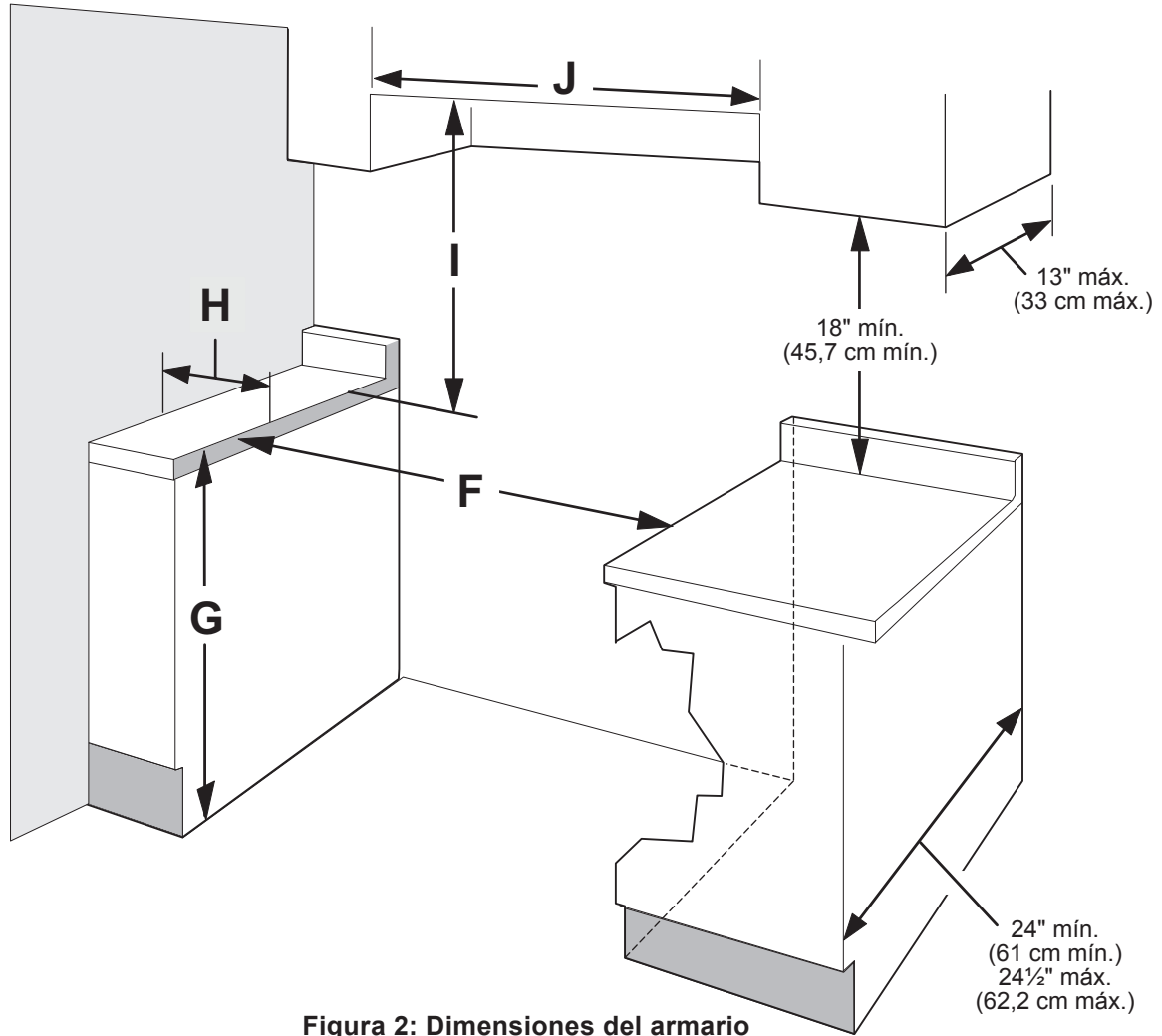


Figura 2: Dimensiones del armario

MODELO	F. ANCHURA MÍNIMA DEL HUECO	G. ALTURA DE LA ENCIMERA	H. SEPARACIÓN DE LAS PAREDES LATERALES ²	I. SEPARACIÓN ENTRE PLACA DE COCCIÓN Y PARTE INFERIOR DE ARMARIO ³	J. SEPARACIÓN ENTRE ARMARIOS ELEVADOS
40"	102,2 cm (40 1/4")	91,4 cm (36") estándar 90,8 cm (35 3/4") mín.	12,7 cm (5") mín.	76,2 cm (30") mín.	101,6 cm (40") mín.

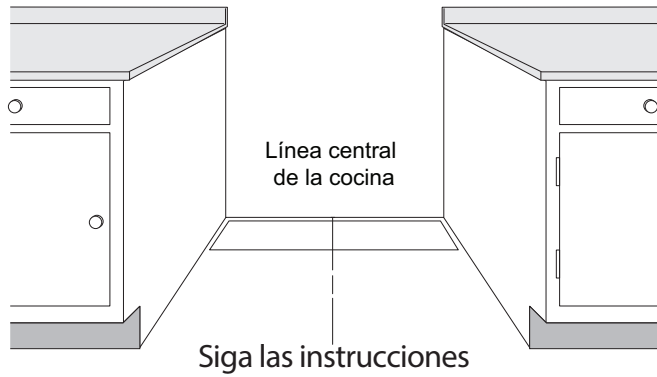
NOTAS:

1. No selle la cocina a los armarios laterales.
2. Espacio libre hasta paredes adyacentes u otras superficies o estructuras verticales como armarios.
3. Las medidas que se indican son la separación mínima entre la placa de cocción y la parte inferior del armario.
4. Espacio libre 0" entre la cocina y armarios o superficies verticales que estén por debajo de la altura de la placa de cocción.
5. Espacio libre 0" entre la parte posterior de la cocina y la pared o armario trasero.

INSTRUCCIONES DE INSTALACIÓN DE LA COCINA DE DOBLE COMBUSTIBLE DE 40"

1 Construcción del armario

⚠ PRECAUCIÓN Para eliminar el peligro de quemaduras o incendio por sobrecalentamiento de unidades de superficie, no debe haber armarios encima de la cocina. Si hubiera un armario y para reducir riesgos, instale una campana de cocina que se proyecte horizontalmente un mínimo de 12,7 cm por delante de la parte inferior del armario.



Siga las instrucciones correspondientes al tipo de instalación que disponga

Figura 3: Construcción del armario

1.1 Instalación: Armario a ambos lados

1. Si la cocina se va a instalar con armario a ambos lados, dibuje una línea central en el suelo entre estos (Figura 5).
2. Si la parte trasera de la cocina no va a estar pegada contra la pared (es posible que la ubicación del tomacorriente no permita hacerlo), dibuje una línea en el suelo donde vaya a estar el borde posterior de la cocina.
3. Instale soportes antivuelco (véase "Instalación del soporte antivuelco").

1.2 Instalación: Armario en un lado solo

1. Si la cocina se va a instalar con armario en un solo lado, desplace la cocina hasta su posición final.
2. Dibuje una línea en el suelo a lo largo del lateral de la cocina que no esté junto al armario. Si la parte trasera de la cocina no va a estar pegada contra la pared (es posible que la ubicación del tomacorriente no permita hacerlo), dibuje una línea en el suelo donde vaya a estar el borde posterior de la cocina.
3. Instale soportes antivuelco (véase "Instalación del soporte antivuelco").

1.3 Instalación: Sin armarios

1. Si la cocina no se va a instalar junto a un armario, colóquela en su posición final.
2. Haga una marca en el suelo a lo largo de ambos lados de la cocina. Si la parte trasera de la cocina no va a estar pegada contra la pared (es posible que la ubicación del tomacorriente no permita hacerlo), dibuje una línea en el suelo donde vaya a estar el borde posterior de la cocina.
3. Instale soportes antivuelco (véase "Instalación del soporte antivuelco").

2 Requisitos eléctricos

⚠ ADVERTENCIA

Peligro de descarga eléctrica --Este electrodoméstico necesita una conexión a tierra. Utilice solo el cable de alimentación eléctrica suministrado con el electrodoméstico. Una conexión o puesta a tierra incorrecta podría provocar una descarga eléctrica, daños en el electrodoméstico, lesiones, incendio y la muerte.


Requisitos de puesta a tierra

Este aparato debe ser instalado y puesto a tierra por un técnico cualificado.

En Estados Unidos, realice la instalación de acuerdo con los requisitos del Código Nacional de Gas Combustible ANSI Z223.1/NPFA N° 54 (última edición), del Código Eléctrico Nacional NFPA N° 70 (última edición) y de la normativa eléctrica local. En Canadá, la instalación debe realizarse de conformidad con los requisitos de CAN/CGA B149.1 y CAN/CGA B149.2 y la Norma CSA C22.1, Código Eléctrico de Canadá, Parte 1 (últimas ediciones) y de la normativa eléctrica local.

Para su seguridad personal, este electrodoméstico debe estar debidamente puesto a tierra. Para una máxima seguridad, el cable de alimentación debe estar enchufado a un tomacorriente de la tensión correcta, polarizado correctamente y debidamente puesto a tierra de conformidad con la normativa local. El consumidor tiene la responsabilidad personal de disponer de un tomacorriente apropiado con el enchufe correcto y debidamente puesto a tierra e instalado por un electricista cualificado.

Este electrodoméstico debe enchufarse en una toma eléctrica 14-50R estándar.

Tomacorriente	
	Necesario para todas las instalaciones Enchufe de 4 conductores (14-50R)

Cuando solo esté disponible una alimentación eléctrica CA monofásica, de 4 conductores, 240 voltios y 60 Hz, el electrodoméstico necesita tener fusibles de protección de 40 amperios en ambos lados de la línea.

Se recomienda un disyuntor o fusible de retardo de tiempo.

Asegúrese de que el tomacorriente esté dentro del alcance de la ubicación final del electrodoméstico.

No pellizque el cable de alimentación eléctrica entre la cocina y la pared.

INSTRUCCIONES DE INSTALACIÓN DE LA COCINA DE DOBLE COMBUSTIBLE DE 40"

Ubicaciones recomendadas para instalar el tomacorriente

La figura 4 muestra la ubicación sugerida del tomacorriente. También se puede colocar en la esquina inferior izquierda del armario derecho adyacente como se muestra en la figura 5.

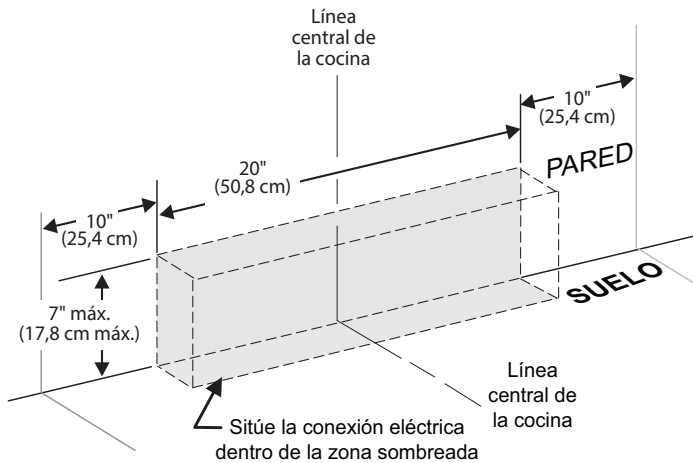


Figura 4: Ubicación del enchufe detrás de la cocina

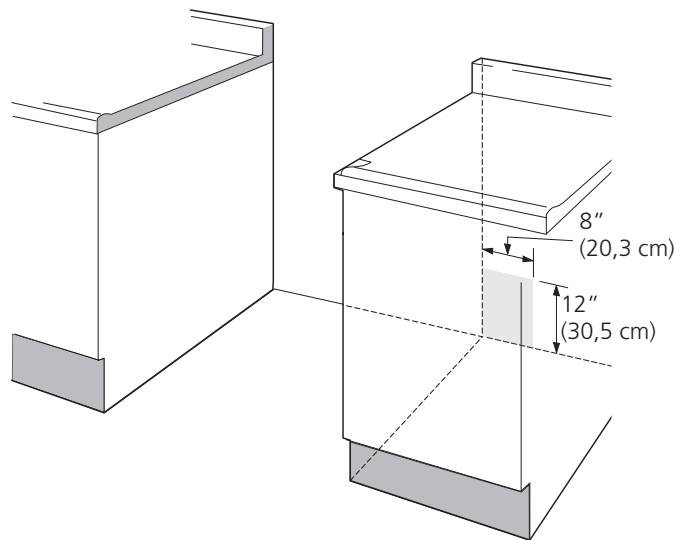


Figura 5: Ubicación del enchufe en el armario adyacente

3 Cable de alimentación eléctrica

⚠ ADVERTENCIA

Peligro de descarga eléctrica --No intente conectar el electrodoméstico directamente a una caja de conexiones eléctricas, ni modificar el cable de alimentación montado en fábrica ni conectar un cable de alimentación diferente. Si el tomacorriente no es suficiente para cumplir los requisitos de este electrodoméstico, el consumidor es responsable de disponer de un tomacorriente apropiado instalado por un electricista. Una instalación y conexiones eléctricas incorrectas pueden provocar descarga eléctrica, daños al electrodoméstico, lesiones, incendio y la muerte.

Este electrodoméstico dispone de un cable de alimentación eléctrica de 4 conductores conectado en fábrica (Figura 6). El cable está certificado para 240 voltios, 40 amperios, y su temperatura nominal es 90 °C (194 °F). Tiene certificación UL/CSA y ha sido sometido a pruebas y obtenido aprobación para su uso con este electrodoméstico.

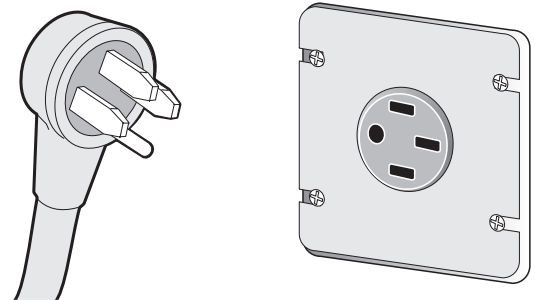


Figura 6: Cable de alimentación conectado en fábrica

Clasificación del electrodoméstico*		Alimentación eléctrica
120/240 Voltios	120/208 Voltios	Amperios
0-10 kW	0-7.6 kW	30
8,8-16,5 kW	7,8-12,5 kW	40 o 50
16,6-22,5 kW	12,6-18,5 kW	50

* La carga NEC calculada es inferior a la carga conectada total indicada en la placa de números de modelo y serie.

4 Requisitos de suministro de combustible

Esta unidad ha sido diseñada para funcionar con un colector de gas natural de 10,16 cm (4") para una presión de columna de agua de 1,0 kPa.

El colector está conectado a un regulador de presión convertible y DEBE conectarse en serie con la tubería de suministro de gas. El regulador está situado donde muestra la figura 7 y se accede a él desde la parte trasera de la cocina.

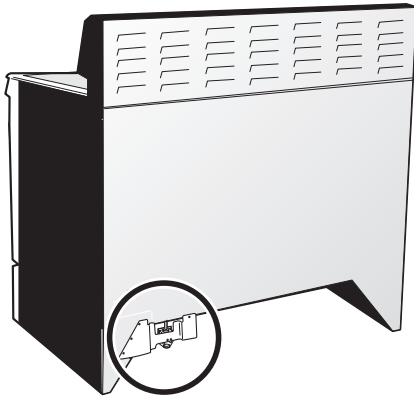


Figura 7: Ubicación del regulador

Para un funcionamiento apropiado, la presión de entrada máxima al regulador no debe ser superior a 35,56 cm (14") de presión de columna de agua (3,5 kPa).

La presión de entrada al regulador debe ser como mínimo 0,25 kPa superior a la presión del colector del regulador. Si el regulador se configura para una presión de colector de 10,16 cm (4") de gas natural (1,0 kPa), la presión de entrada debe ser como mínimo 12,60 cm (5") (1,25 kPa).

Cuando la cocina vaya a funcionar por encima de 600 msnm, las características operativas se reducen un 4 por ciento cada 300 msnm adicionales.

4.1 Ubicación del suministro de gas

La tubería de suministro de gas puede tenderse a través de la pared lateral del armario derecho. El armario derecho es una ubicación ideal también para la válvula de cierre principal (si la cocina se instala dentro de armario).

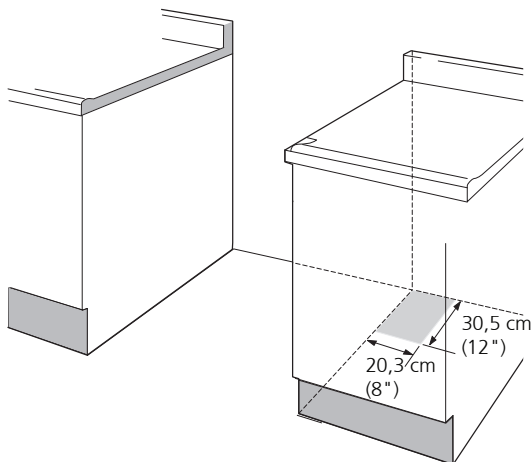


Figura 8: Ubicación recomendada del suministro de gas

4.2 Válvula de cierre

La tubería de suministro debe estar provista de una válvula de cierre aprobada como se muestra en la figura 9. Esta válvula se debe colocar en la misma habitación que la cocina y en una ubicación que permita accionarla fácilmente. No bloquee el acceso a la válvula de cierre. La válvula sirve para abrir o cerrar la entrada de gas al electrodoméstico.

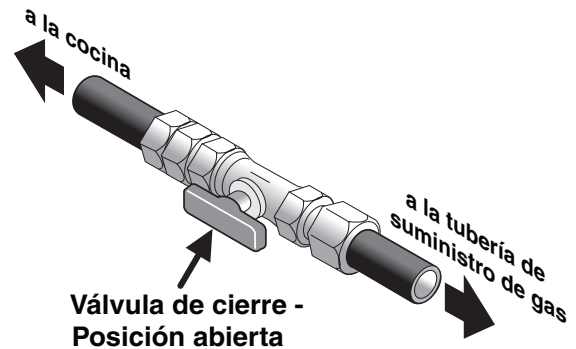


Figura 9: Válvula de cierre

La conexión del suministro de gas entre la válvula de cierre y el regulador puede ser una tubería rígida o una tubería flexible con conexión metálica aprobada por A.G.A./C.G.A. (donde la normativa local permita su uso).

El usuario de la cocina debe conocer la ubicación de la válvula de cierre principal y tener fácil acceso a ella.

4.3 Conversión a Gas licuado de petróleo (GLP)

Este electrodoméstico permite su conversión para utilizar gas licuado de petróleo (GLP).

⚠ ADVERTENCIA Se pueden producir lesiones o la muerte por descarga eléctrica si la conversión a GLP no la realiza un instalador o electricista cualificado. Todas las adiciones, cambios o conversiones necesarias para que este electrodoméstico cumpla satisfactoriamente la aplicación debe realizarlas un técnico cualificado.

Si es necesario efectuar la conversión a GLP, póngase en contacto con el proveedor local de este gas para obtener asistencia. Con el electrodoméstico se suministra un kit de conversión a GLP; se encuentra en el panel TRASERO inferior de la cocina. Antes de instalar el kit, lea las instrucciones de instalación de GLP y sígalas minuciosamente.

Para GLP y propano, el regulador se debe ajustar a una presión de colector de 25,4 cm (10") (2,5 kPa) y la presión de entrada debe ser como mínimo 27,9 cm (11") (2,75 kPa).

5 Conexión del suministro de combustible

5.1 Conexión del suministro de combustible

⚠ ADVERTENCIA Las operaciones de instalación, puesta a tierra y servicio técnico de este electrodoméstico debe realizarlas un instalador o técnico de servicio cualificado.

⚠ PRECAUCIÓN No apriete demasiado las conexiones. El regulador está fundido a troquel. Apretarlo en exceso podría agrietarlo y provocar escapes de gas y posiblemente, un incendio o explosión.

Este electrodoméstico incluye un regulador. La instalación de la tubería de suministro de gas necesita las piezas siguientes que no han sido suministradas con el electrodoméstico:

- Válvula de cierre manual
- Boquillas 1/2" (2)
- Adaptador de unión cónica 1/2" (2)
- Conector flexible

La tubería de suministro de gas hasta la válvula de cierre debe ser un tubo de buena calidad de 1,27 cm (1/2") o 1,9 cm (3/4").

Instale la tubería de suministro de gas hasta el regulador de presión en el orden que se muestra en la figura 10.

Todas las conexiones se deben apretar con una llave fija.

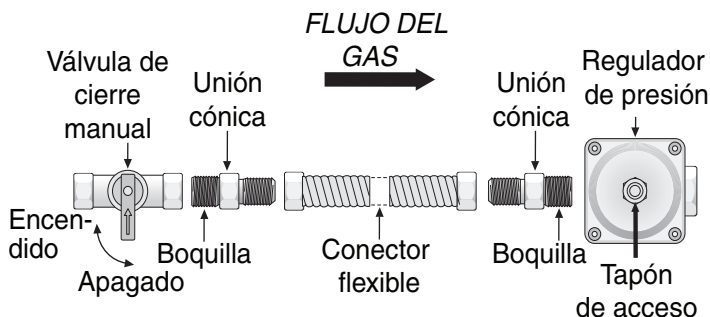


Figura 10: Flujo de conexión del suministro de combustible

Cuando se utilicen conductos flexibles de gas, deje holgura suficiente en estos para poder extraer la cocina de su espacio a efectos de limpieza o servicio técnico.

Para sellar todas las conexiones de gas, utilice un compuesto de unión de tubos para uso con gas natural, GLP y propano. Si se utilizan conectores flexibles, asegúrese de que no queden retorcidos.

No permita que el conducto flexible se pellizque entre la pared y la cocina.

5.2 Compruebe si existen fugas

⚠ ADVERTENCIA No utilice una llama para comprobar la existencia de fugas en las conexiones del gas. Podría provocar incendio o explosión.

Después de conectar la cocina al suministro de gas, compruebe con un manómetro si hay fugas en el sistema. Si no dispone de manómetro, abra el suministro de gas y utilice un detector de fugas líquido (o jabón y agua) en todas las juntas y conexiones para comprobar si hay pérdidas. Las burbujas que aparezcan en las conexiones o juntas indican fugas.

Todas las aberturas en paredes y suelo donde se vaya a instalar la cocina deben estar selladas.

1. Apriete todas las conexiones si fuera necesario para evitar fugas de gas en la placa de cocción y tubería de suministro.
2. Cuando realice pruebas en el sistema a una presión de prueba superior a 1/2 psig (3,5 kPa o 14" -35,56 cm-), desconecte la cocina y la válvula de cierre del resto del sistema de suministro de gas.
3. Cuando la presión de prueba sea igual o inferior a 1/2 psig, aisle la cocina del sistema de tuberías de suministro de gas cerrando la válvula de cierre.

6 Instalación de las parrillas del horno

Las parrillas del horno se sujetan dentro de la cavidad mediante dos soportes instalados en las paredes.

1. Coloque el enganche de los soportes hacia arriba en los estantes de apoyo situados en los laterales del horno (véase la figura 11).

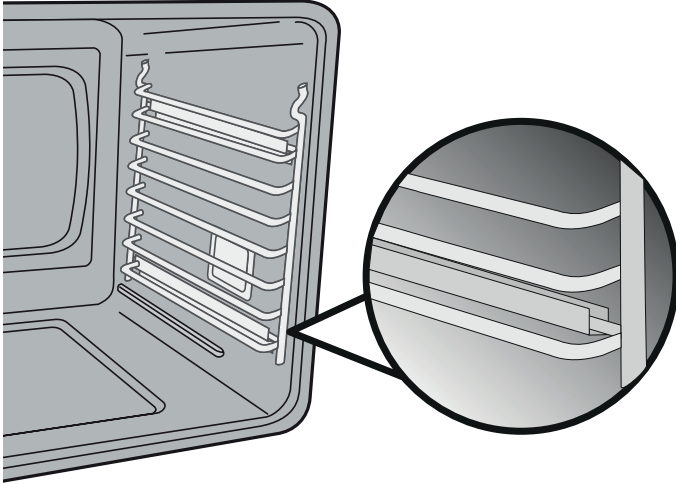


Figura 11: Soportes de parrillas

2. Coloque las parrillas planas del horno en la posición deseada.

Para facilitar la instalación y movimiento de las parrillas, aplique un poco de aceite de cocina en los lados de las parrillas que entren en contacto con los soportes.

7 Nivelación de la cocina

Nivele la cocina y ajuste la altura de la placa de cocción antes de instalarla en el hueco creado (si procede).

1. Instale una parrilla en el centro del horno.
2. Coloque un nivel en la parrilla (Figura 12). Tome dos lecturas con el nivel colocado diagonalmente: primero en una dirección y después, en la otra.

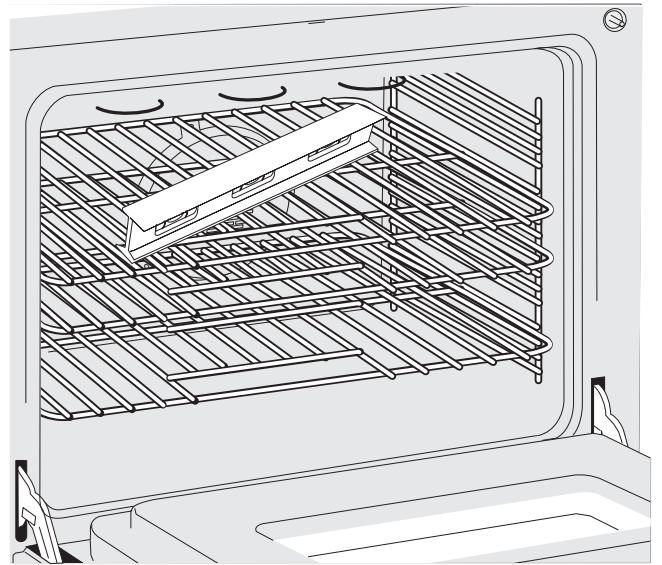


Figura 12: Utilice las parrillas del horno para nivelar el electrodoméstico

3. Si es necesario, nivele la cocina ajustando las cuatro patas niveladoras con una llave inglesa (Figura 13).
4. Deslice la cocina dentro del hueco y compruebe dos veces la nivelación. Si la cocina no está nivelada, extráigala y ajuste de nuevo las patas niveladoras o asegúrese de que el suelo esté nivelado.

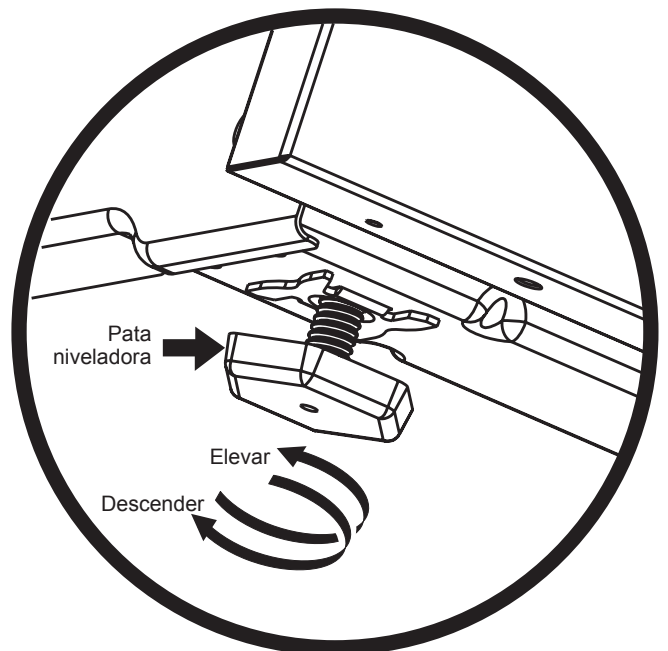


Figura 13: Ajuste de la altura del electrodoméstico

8 Instalación del soporte antivuelco

⚠ ADVERTENCIA Para reducir el riesgo de que vuelque el electrodoméstico, éste se debe sujetar al suelo colocando correctamente el soporte antivuelco y tornillos entregados con la cocina. Estas piezas se encuentran en el horno. Si no se instala el soporte antivuelco, la cocina podría inclinarse si se coloca un peso excesivo sobre una puerta abierta o si un niño intenta subirse a ella. Estas situaciones podrían provocar lesiones graves debido al derramamiento de líquidos calientes o por el peso de la cocina en sí.

Si alguna vez se cambia la ubicación de la cocina, el soporte antivuelco debe instalarse de nuevo.

Herramientas necesarias:

- Llave inglesa
- Llave grifa
- Taladro eléctrico y broca 3 mm (1/8")
- Llave de tuercas 8 mm (5/16")
- Nivel

8.1 Ubicación del soporte con ayuda de la plantilla

El soporte puede situarse a la izquierda o derecha de la cocina. Haga una marca en el suelo o en la pared donde vaya a estar el lado izquierdo o derecho de la cocina.

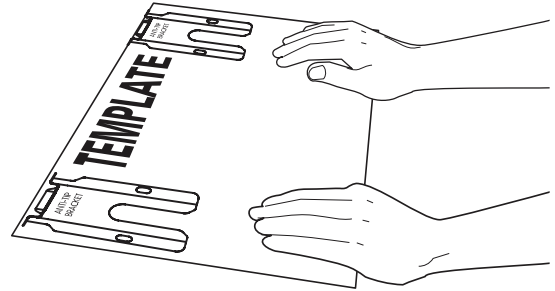


Figura 14: Plantilla del soporte

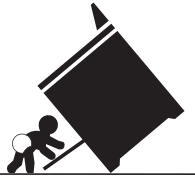
Si la parte trasera de la cocina va a quedar apoyada contra la pared o a menos de 3,2 cm de ésta cuando esté instalada, puede realizar el montaje en la pared o en el suelo. Si hay instalado un rodapié que impida que el soporte se ajuste completamente a la pared, retírelo o instale el soporte en el suelo.

Para montaje en pared, sitúe el soporte colocando el borde trasero de la plantilla contra la pared posterior y el borde lateral sobre la marca realizada para indicar el lateral de la cocina. Coloque el soporte sobre la plantilla y marque la ubicación de los agujeros de los tornillos en la pared.

Si la parte trasera de la cocina se encuentra a más de 3,2 cm de la pared cuando quede instalada, fije el soporte al suelo. Para montaje en el suelo, coloque el borde trasero de la plantilla en el lugar donde vaya a estar la parte posterior de la cocina.

Marque la ubicación de los agujeros de tornillo que se muestran en la plantilla.

⚠ ADVERTENCIA Peligro de volcado

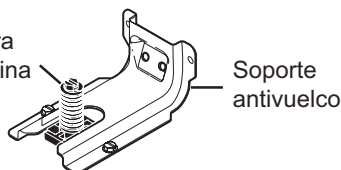


- Un niño o adulto puede volcar la cocina y resultar muerto.
- Verifique que el dispositivo antivuelco ha sido instalado en el suelo o la pared.

- Cuando se desplace la cocina, asegúrese de que el dispositivo antivuelco es instalado de nuevo en el suelo o la pared.
- No utilice la cocina sin este dispositivo acoplado.
- El incumplimiento de estas instrucciones puede provocar la muerte o quemaduras graves a niños y adultos.



Pata niveladora de la cocina



Soporte antivuelco

Para comprobar si el soporte antivuelco se ha instalado correctamente, sostenga con ambas manos el borde posterior de la parte trasera de la cocina. Con cuidado, trate de inclinarla hacia delante. Cuando se ha instalado correctamente, la cocina no debería inclinarse.

Consulte las instrucciones de instalación del soporte antivuelco de su cocina.

8.2 Perforación de agujeros piloto y fijación del soporte

Perfore un agujero piloto de 3 mm (1/8") en el lugar en que se vayan a situar los tornillos.

Si el soporte se va a instalar en la pared, perfore el agujero piloto con una inclinación aproximada de 20° hacia abajo. Si el soporte se coloca sobre albañilería o suelos cerámicos, perfore un agujero piloto de 4,8 mm (3/16") con una profundidad de 44 mm (1-3/4").

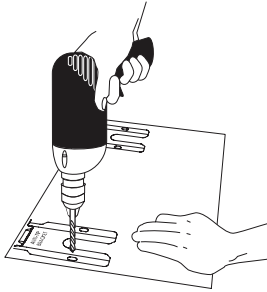


Figura 15: Perfore los agujeros piloto

Los tornillos suministrados se pueden utilizar en madera u hormigón. Use una llave de tuercas de 8 mm (5/16") o un destornillador de cabeza plana para sujetar el soporte en su sitio.

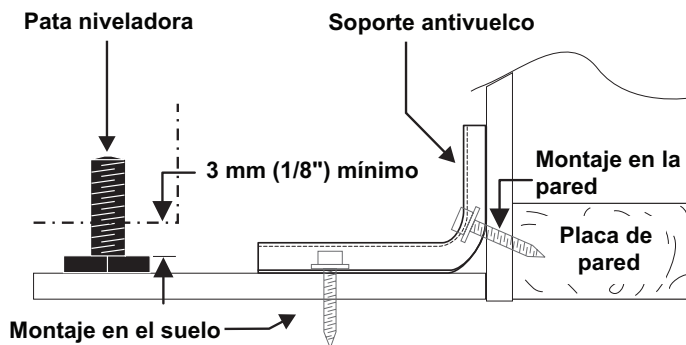


Figura 16: Sujeción del soporte

8.3 Nivelación y colocación de la cocina

Compruebe la nivelación de la instalación final. Nota: para dejar espacio para el soporte, entre la parte inferior de la cocina y la pata niveladora debe existir una separación de 3 mm (1/8"). Utilice un nivel para comprobar los ajustes.

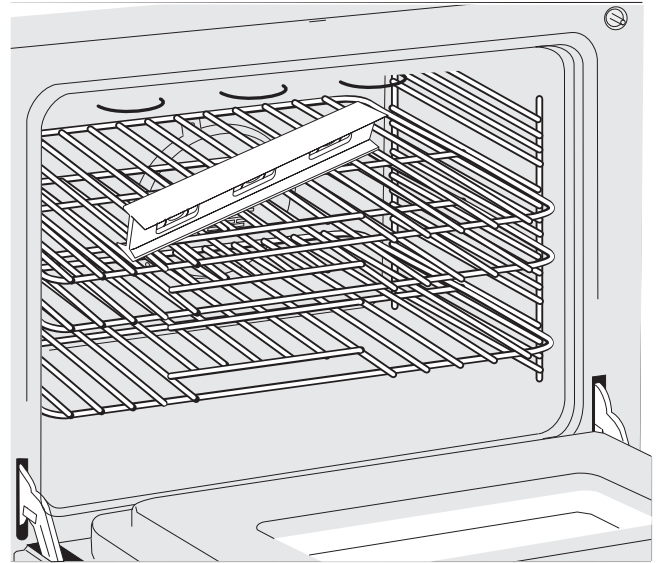


Figura 17: Utilice las parrillas del horno para nivelar el electrodoméstico

Deslice la cocina hasta colocarla en su posición.

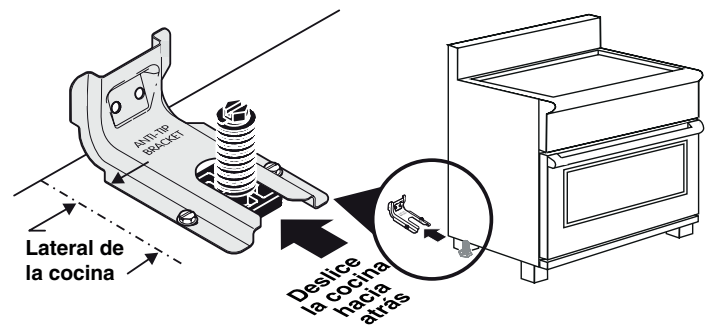


Figura 18: Deslice el electrodoméstico dentro del soporte

Para comprobar si el soporte antivuelco se ha instalado correctamente, sostenga con ambas manos el borde posterior de la parte trasera de la cocina. Con cuidado, trate de inclinarla hacia delante. Si está instalada correctamente, no se inclinará.

Si se desplaza la cocina a otra ubicación, también se deben instalar de nuevo los soportes antivuelco.

9 Preparación de los conjuntos de quemador

9.1 Colocación de las tapetas

PRECAUCIÓN Para evitar llamaradas, utilice la placa de cocción con todas las tapetas colocadas correctamente.

1. Coloque una tapeta en cada cabezal quemador haciendo coincidir el tamaño de la tapeta con el del cabezal (ver figura 19). Cada tapeta dispone de un anillo interior de posicionamiento que la centra correctamente sobre el cabezal.
2. Asegúrese de que todas las tapetas estén

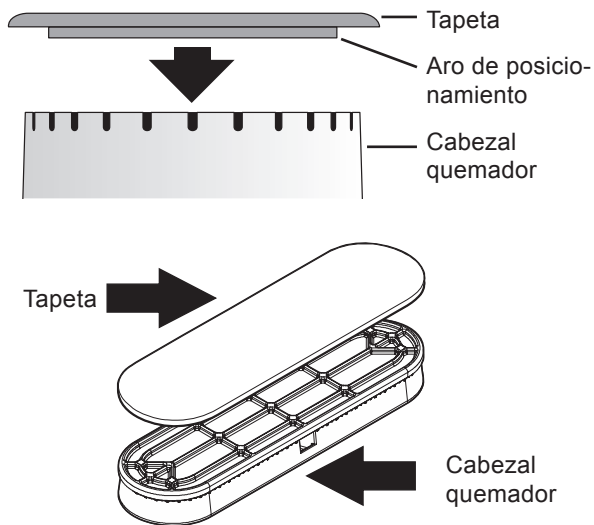


Figura 19: Conjunto de quemador y tapeta debidamente alineadas y niveladas como se muestra en la figura 20. Si no se colocan correctamente en el cabezal, es posible que el quemador no se encienda o queme de forma irregular.

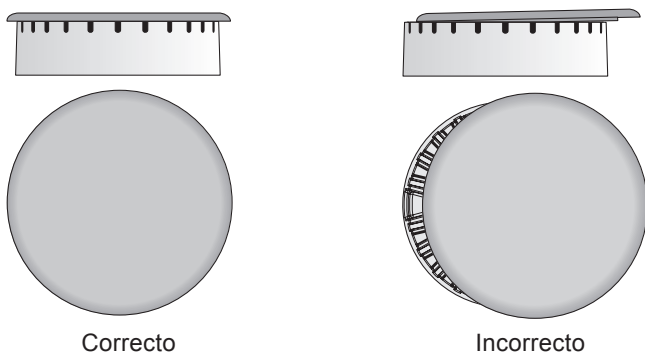


Figura 20: Colocación de la tapeta

9.2 Comprobación del encendido de los quemadores

Después de haber verificado minuciosamente si la cocina y conectores de la tubería de suministro tienen fugas y de conectar el electrodoméstico a la alimentación eléctrica, se debe comprobar el funcionamiento de los encendedores eléctricos. Para comprobar si el encendido es correcto:

1. Gire y presione hacia dentro la perilla del quemador a posición de chispa. Todos los encendedores electrónicos generarán chispas al mismo tiempo. Solo se encenderá el quemador que esté activando.
2. El quemador de superficie se debe encender cuando el flujo de gas haya llegado al quemador. Un quemador se debe encender a los cuatro segundos de funcionamiento normal después de haber purgado el aire de las tuberías de suministro. Compruebe visualmente si se enciende el quemador.
3. Cuando ya esté encendido, la perilla de control se debe quitar de la posición LITE.

Encienda cada uno de los quemadores y compruebe si lo hacen correctamente y que la llama sea uniforme. Realice los ajustes necesarios.

9.3 Regulación del ajuste inferior de los quemadores

Para regular el ajuste inferior de los quemadores:

1. Gire y presione hacia dentro la perilla de control a posición LITE hasta que se encienda el quemador.
2. Gire rápidamente la perilla a la POSICIÓN MÁS BAJA.
3. Si se apaga el quemador, ponga el control en OFF.
4. Quite la perilla de control del quemador correspondiente y el aro decorativo.
5. Introduzca un destornillador estrecho por el vástago hueco de la válvula y acóplelo al tornillo ranurado interior como se muestra en la figura 21. El tamaño de la llama se aumenta o reduce girando el tornillo.

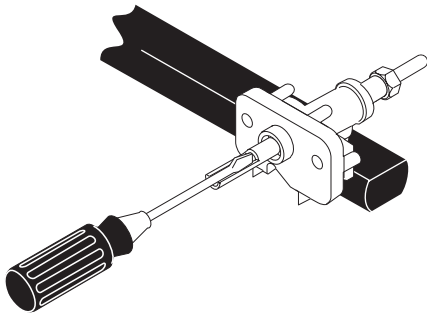


Figura 21: Girar para ajustar la llama

6. Regule la llama hasta que pueda girar rápidamente la perilla desde posición de chispa hasta posición de llama más baja sin que se apague la llama. La llama debe ser lo más pequeña posible sin que se apague.

Notas:

- En quemadores de superficie no es necesario ajustar la mezcla de aire.
- Algunos modelos tienen dos llamas en un mismo quemador. La llama central de estos quemadores no se puede regular.

10 Comprobación del funcionamiento del horno

Consulte la guía de uso y cuidado que se entrega con la cocina para conocer las instrucciones de funcionamiento, cuidado y limpieza.

Extraiga todo el material de embalaje del horno antes de probarlo.

El horno está provisto de un control electrónico. Cada una de las funciones ha sido comprobada en fábrica antes del envío. Sin embargo, se sugiere verificar una vez más el funcionamiento de los controles electrónicos. Consulte la guía del propietario para conocer su funcionamiento. Siga las instrucciones para las funciones de reloj, temporizador, hornear, asar, convección y limpieza.

Hornear -Después de ajustar el horno a 177 °C (350 °F) para hornear, el suelo de la cavidad del horno debe empezar a calentarse.

Asar -Cuando el horno se ajusta en BROIL (ASAR), el elemento superior del horno debe ponerse rojo.

Limpiar -Cuando el horno se ajusta para un ciclo de autolimpieza, el elemento superior debe ponerse rojo durante la fase de precalentamiento del ciclo. Después de alcanzar la temperatura de autolimpieza, el suelo de la cavidad del horno debe estar caliente.

Convección -Cuando el horno se ajusta en CONV. BAKE/ROAST (HORNEAR/ASAR CON CONVECCIÓN) a 177 °C (350 °F), ambos elementos activan y desactivan su ciclo alternativamente y gira el ventilador de convección. El ventilador de convección dejará de girar cuando se abra la puerta del horno durante un ciclo de horneado o asado con convección.

11 Después de la instalación

Cuando estén completadas todas las conexiones

Asegúrese de que todos los controles estén a la izquierda en posición OFF.

Ubicación del número de modelo y de serie

La placa con los datos está situada en la parte superior del panel frontal inferior de la cocina; se puede ver con claridad cuando la puerta está abierta. Cuando se realice el pedido de piezas o se hagan consultas sobre la cocina, tenga preparados los números de modelo y serie (Figura 22).

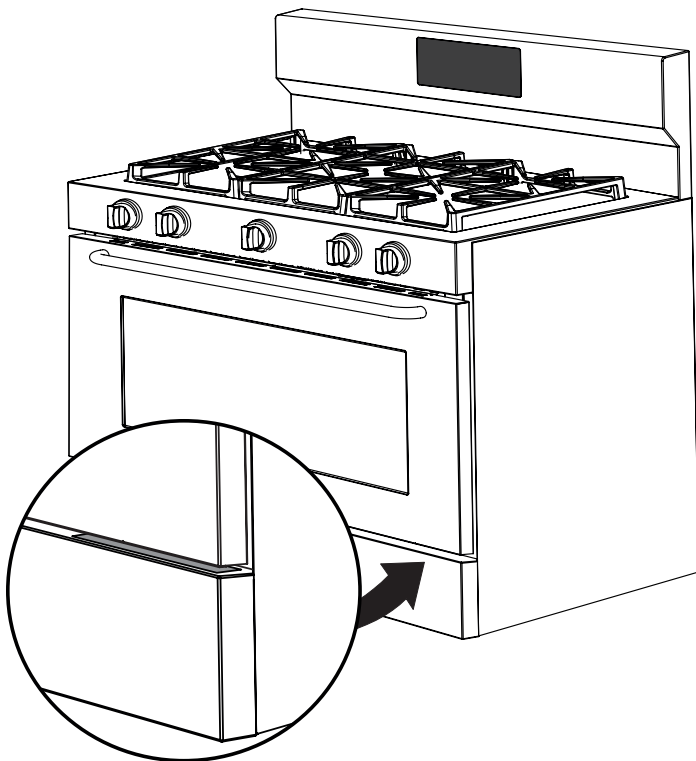


Figura 22: Ubicación del número de modelo y de serie

Antes de solicitar servicio técnico

Lea la 'Lista de comprobación para evitar el servicio técnico' y las instrucciones de funcionamiento en la guía del propietario. Su lectura puede hacer que ahorre tiempo y dinero. La lista incluye problemas comunes que no son resultado de mano de obra o materiales defectuosos en este electrodoméstico.

Consulte la información de garantía y servicio técnico de la guía del propietario para conocer nuestro número de teléfono y dirección. Llámenos por teléfono o escríbanos sus consultas sobre la cocina y/o si necesita pedir piezas.

NOTICE D'INSTALLATION

CUISINIÈRE BIÉNERGIE DE 101,600 cm (40 po)

L'INSTALLATION ET L'ENTRETIEN DOIVENT ÊTRE EFFECTUÉS PAR
UN INSTALLATEUR QUALIFIÉ.

**IMPORTANT : CONSERVER CES INSTRUCTIONS AFIN QUE L'INSPECTEUR
EN ÉLECTRICITÉ PUISSE LES CONSULTER.**

LIRE ET CONSERVER CES INSTRUCTIONS POUR CONSULTATION ULTÉRIEURE.

États-Unis



⚠ AVERTISSEMENT POUR VOTRE SÉCURITÉ : NE
PAS ranger ou utiliser de l'essence ni aucun autre
liquide inflammable à proximité de cet appareil ou
de tout autre électroménager.

Canada



Table des matières

Consignes de sécurité importantes	34-36	Installation des grilles de four	43
Dimensions du produit.....	37	Mise à niveau de la cuisinière	43
Dimensions des armoires	38	Installation du support antibasculément	44-45
Fabrication des armoires	39	Préparation des assemblages brûleur.....	46-47
Alimentation.....	39-40	Vérification du fonctionnement du four	47
Cordon d'alimentation.....	40	Après l'installation.....	48
Alimentation en carburant.....	41	Emplacement de la plaque signalétique (modèle et numéro de série)	48
Raccord de l'alimentation en carburant.....	42		

Notices importantes à l'installateur

1. Lire toutes les instructions contenues dans cette notice avant de commencer l'installation.
2. Retirer tout le matériel d'emballages du four et des tiroirs avant de connecter l'alimentation électrique à la cuisinière.
3. Il est obligatoirement nécessaire d'installer le support antibasculément fourni.
4. Respecter tous les codes et règlements en vigueur.
5. Veiller à laisser ces instructions au client.

Notices importantes au client

1. Garder ces instructions avec votre guide du propriétaire pour consultation ultérieure.
2. Des consignes de sécurité doivent être observées lors de l'utilisation d'un appareil générant de la chaleur. Ces précautions sont expliquées dans votre guide d'utilisation et d'entretien. Voir à le lire attentivement.
3. Veiller à ce que votre appareil soit installé et mis à la terre par un installateur qualifié ou un technicien ou une technicienne en entretien et en réparation.

CONSIGNES DE SÉCURITÉ IMPORTANTES

Cet appareil doit être installé, mis à la terre et entretenu par un installateur qualifié ou un technicien ou une technicienne en entretien et en réparation.

Ce manuel contient des symboles et des consignes de sécurité importantes. Voir à respecter ces symboles et toutes les consignes données. Ne pas tenter d'installer ou de faire fonctionner votre électroménager avant d'avoir lu les consignes de sécurité comprises dans le manuel. Les consignes de sécurité présentées dans le manuel portent les indications MISE EN GARDE ou PRUDENCE selon le type de risque auquel ils sont liés.

Ces instructions ne sont pas exhaustives et n'abordent pas toutes les circonstances et situations possibles. Il est nécessaire de faire preuve de jugement et de prudence lors de l'installation, de l'utilisation et de l'entretien d'un appareil électroménager.

! Voici le symbole d'alerte de sécurité. Il sert à vous mettre en garde contre les risques potentiels de lésions corporelles. Respectez toutes les consignes de sécurité qui suivent ce symbole afin d'éviter les blessures ou la mort.

! AVERTISSEMENT Indique une situation potentiellement dangereuse qui, si elle n'est pas évitée, peut entraîner des blessures graves, voire la mort.

! ATTENTION Signale la présence d'une situation potentiellement dangereuse qui, si elle n'est pas évitée, peut causer des blessures mineures ou moyennement graves.

IMPORTANT : Cette mention indique des renseignements importants liés à l'installation, au fonctionnement ou à l'entretien. Toutefois, ceux-ci n'impliquent aucune notion de danger.

! AVERTISSEMENT Risque de basculement



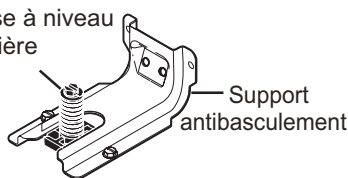
- Un enfant ou un adulte peut faire basculer la cuisinière et en mourir.
- Vérifier que le dispositif antibasculement est solidement fixé au plancher ou au mur.

• S'assurer que le dispositif antibasculement est bien réenclenché au mur ou au plancher si la cuisinière est déplacée.

- Ne pas faire fonctionner la cuisinière si le dispositif antibasculement n'est pas en place et enclenché.
- Le non-respect de ces instructions peut causer des blessures fatales ou de graves brûlures chez les enfants et les adultes.



Pied de mise à niveau de la cuisinière



Support antibasculement

Pour vérifier si le support antibasculement est correctement installé, attraper le bord arrière de la cuisinière à deux mains. Essayer doucement de faire basculer la cuisinière vers l'avant. Lorsque le support est correctement installé, la cuisinière ne doit pas basculer vers l'avant.

Voir les instructions d'installation du support anti-renversement fournies avec la cuisinière pour valider que l'installation est effectuée de façon appropriée.

! AVERTISSEMENT Si les directives fournies dans le manuel ne sont pas suivies à la lettre, il y a risque d'incendie ou d'explosion entraînant des dommages matériels, des lésions corporelles, voire la mort.

POUR VOTRE SÉCURITÉ :

- Ne pas entreposer ni utiliser d'essence ou autres vapeurs et liquides inflammables à proximité de cet appareil ou de tout autre appareil.
- QUE FAIRE SI VOUS SENTEZ UNE ODEUR DE GAZ :
 - Ne pas tenter d'allumer tout appareil.
 - Ne pas toucher d'interrupteur électrique et ne pas utiliser de téléphone dans votre bâtiment.
 - Appeler immédiatement votre fournisseur de gaz de chez un voisin. Suivre les directives du fournisseur.
 - Si vous ne pouvez pas joindre votre fournisseur de gaz, appeler le service des incendies.
- L'installation et l'entretien doivent être effectués par un installateur qualifié, un fournisseur de services ou votre fournisseur de gaz.

NOTICE D'INSTALLATION DE LA CUISINIÈRE BIÉNERGIE DE 101,600 cm (40 po)

AVERTISSEMENT

- **Risque de poids excessif** – demander deux personnes ou plus pour déplacer et installer. Le non-respect de cette consigne peut causer de blessures au dos ou ailleurs.
- **Rangement dans ou sur l'électroménager** – les matériaux inflammables ne doivent pas être rangés dans un four ou un four micro-ondes, près de brûleurs de surface ou des éléments, dans le tiroir de rangement ou le réchaud (si équipé). Cela comprend le papier, plastique, tissu et autres éléments comme les livres de cuisine, la vaisselle en plastique et les serviettes, ainsi que les liquides inflammables. Ne pas ranger des matières explosives comme les aérosols sur ou près de l'appareil.
- **Ne pas laisser les enfants seuls** – les enfants ne doivent pas être laissés seuls ou sans surveillance dans la zone où l'électroménager est en cours d'utilisation. Ils ne doivent jamais être autorisés à s'asseoir ou à se tenir sur une partie quelconque de l'électroménager, y compris le tiroir de rangement, le tiroir à griller inférieur, le tiroir-réchaud ou le four double inférieur.
- Éviter de ranger des éléments d'intérêt pour les enfants dans les armoires au-dessus de l'électroménager ou sur le garde arrière de la cuisinière. Les enfants qui grimpent sur ou près de l'électroménager pour atteindre des éléments d'intérêt peuvent se blesser gravement.
- Grimper, se pencher ou s'asseoir sur la porte ou les tiroirs de l'électroménager peut entraîner des blessures graves et endommager la cuisinière.
- Ne pas utiliser le four ou le tiroir-réchaud (si équipé) pour le rangement.
- Ne jamais utiliser votre électroménager comme radiateur pour chauffer ou réchauffer la pièce. Cela peut entraîner une intoxication au monoxyde de carbone et une surchauffe de l'appareil.
- NE PAS ranger ou utiliser de l'essence ni aucun autre liquide inflammable à proximité de cet appareil ou de tout autre électroménager.
- Le rideau d'air ou d'autres hottes qui fonctionnent en soufflant de l'air vers le bas sur une cuisinière ou une surface de cuisson ne doivent pas être utilisées avec les cuisinières au gaz ou les surfaces de cuisson sauf celles qui ont été conçues, mises à l'essai et homologuées par un laboratoire d'essai indépendant pour une utilisation combinée.

Ne jamais laisser les enfants jouer avec des matériaux d'emballage. Ne pas enlever l'étiquette de câblage et d'autres documents joints à l'électroménager. Ne pas enlever la plaque signalétique (numéro de série/modèle).

- Les températures froides peuvent endommager la commande électronique. Avant d'utiliser l'appareil pour la première fois, ou si l'électroménager n'a pas été utilisé pendant une longue période, veiller à ce qu'il soit maintenu au repos à des températures supérieures à 0 °C (32 °F) pendant au moins 3 heures avant sa mise en marche.
- Ne jamais modifier ou altérer l'aspect physique de l'appareil en retirant les pieds de mise à niveau, les panneaux, cache-fils, supports antibasculement et les vis, ou toute autre partie de l'électroménager.
- Une installation conforme – veiller à ce que l'électroménager soit installé correctement et mis à la terre par un technicien qualifié. Aux États-Unis, installer en respectant les consignes du National Fuel Gas Code ANSI Z223.1/NPFA No 54, dernière édition, du National Electrical Code NFPA no 70, dernière édition, et les exigences du code électrique local. Au Canada, installer conformément aux dernières éditions de la norme CAN/CGA B149.1 et CAN/CGA B149.2 et CSA C22.1, de la 1^{re} partie du Code canadien de l'électricité et aux exigences du code d'électricité local en vigueur. Installer uniquement en suivant les consignes d'installation fournies dans la documentation particulière à l'électroménager.
- Aux États-Unis, l'installation d'électroménagers conçus pour les maisons préfabriquées (ou mobiles) doit être conforme à la Manufactured Home Construction and Safety Standard, titre 24CFR, part 3280 [autrefois Federal Standard for Mobile Home Construction and Safety, titre 24, HUD (part 280)]; lorsque ces normes ne s'appliquent pas, à la dernière édition de la norme Standard for Manufactured Home Installation 1982 (Manufactured Home Sites, Communities and Setups), ANSI Z225.1/NFPA 501A ou aux codes locaux en vigueur. Au Canada, la norme CAN/CSA-Z240 MH s'applique.
- Avant d'installer la cuisinière dans une zone couverte de linoléum ou de tout autre revêtement de sol synthétique, veiller à ce que le revêtement de sol puisse supporter la chaleur d'au moins de 32,2 °C (90 °F) au-dessus de la température ambiante sans rétrécir, se déformer ou se décolorer. Éviter d'installer la cuisinière sur les tapis, à moins de placer un tapis isolant ou d'une feuille de contreplaqué de 0,64 cm (¼ po) d'épaisseur entre la cuisinière et le tapis.
- Veiller à ce que le revêtement des murs et de l'armoire autour de la cuisinière puisse résister à la chaleur générée par l'électroménager.

INSTRUCTIONS IMPORTANTES POUR LE DÉBALLAGE ET L'INSTALLATION

Lire et suivre les directives et précautions ci-dessous pour le déballage, l'installation et l'entretien de votre électroménager :

- Détruire le carton d'emballage et les sacs en plastique après avoir débarrassé l'électroménager.

NOTICE D'INSTALLATION DE LA CUISINIÈRE BIÉNERGIE DE 101,600 cm (40 po)

- Pour éliminer le risque de brûlures ou d'incendie en tentant d'atteindre des objets situés au-dessus des ronds, il est déconseillé d'installer des armoires au-dessus de la surface chauffante. S'il est nécessaire d'en installer, on peut en réduire les risques en installant une hotte qui projette à l'horizontale d'un minimum de 12,700 cm (5 po) au-delà de la partie inférieure de l'armoire.
- Éviter d'obstruer le passage de l'air à l'évent du four, autour de la base, ou sous la partie inférieure du panneau avant de l'appareil. Cet électroménager nécessite un apport d'air frais pour assurer son bon fonctionnement.
- Veiller à disposer d'un extincteur à mousse adéquat, visible, facilement accessible et situé à proximité de l'appareil.

INSTRUCTIONS PARTICULIÈRES POUR LES APPAREILS INSTALLÉS DANS L'ÉTAT DU MASSACHUSETTS

Dans l'État du Massachusetts, cet électroménager doit être installé uniquement par un plombier ou un monteur d'installations au gaz accrédité par l'État du Massachusetts. Si vous utilisez un raccord de gaz flexible, il ne doit pas mesurer plus que {0,914 m (91,440 cm) [3 pieds (36 pouces)]} de long. Un robinet d'arrêt manuel avec poignée en « T » doit être installé dans la conduite d'alimentation en gaz de l'électroménager.

CONVERSION AU GPL

Cet appareil peut être converti au gaz de pétrole liquéfié (GPL).

⚠ AVERTISSEMENT Il peut se produire une décharge électrique ou des blessures, voire la mort si la conversion au GPL n'est pas effectuée par un installateur qualifié ou un électricien. Tout ajout, toute modification ou toute conversion requise par l'électroménager dans le but de répondre aux exigences de l'application doit être faite par un technicien qualifié.

Si la conversion au GPL est nécessaire, demander l'aide de votre prestataire de services GPL. La trousse de conversion au GPL est fournie avec l'électroménager; elle est située sur le panneau ARRIÈRE inférieur de la cuisinière. Avant d'installer la trousse, lire attentivement les directives de conversion au GPL et les suivre à la lettre durant l'installation.

INSTRUCTIONS IMPORTANTES POUR L'ENTRETIEN ET LES RÉPARATIONS

- Ne pas réparer ou remplacer toute pièce de l'appareil sauf si expressément recommandé dans les manuels. Toute autre réparation doit être effectuée uniquement par un technicien qualifié. Cela réduit les risques de lésions corporelles et de dommages à l'électroménager.
- Contacter votre revendeur, distributeur, agent de service, ou le fabricant en tout temps en cas de problèmes ou de conditions que vous ne comprenez pas.
- Demander à votre concessionnaire de vous recommander un technicien qualifié et un service de réparation agréé. En cas d'urgence, savoir comment couper l'alimentation de l'appareil à l'aide du disjoncteur ou des fusibles.
- Retirer la porte de tout four inutilisé avant l'entreposage ou la mise aux rebus.
- Ne pas toucher à l'ampoule du four chaud avec un chiffon humide. Cela peut provoquer la rupture de l'ampoule. Manipuler les lampes halogènes (si équipé) avec des serviettes en papier ou des gants souples. Débrancher l'électroménager ou couper l'alimentation avant de retirer et de remplacer l'ampoule.

Dimensions du produit

⚠ AVERTISSEMENT Ne pas tenter d'installer ou de faire fonctionner votre électroménager avant d'avoir lu les deux pages suivantes.

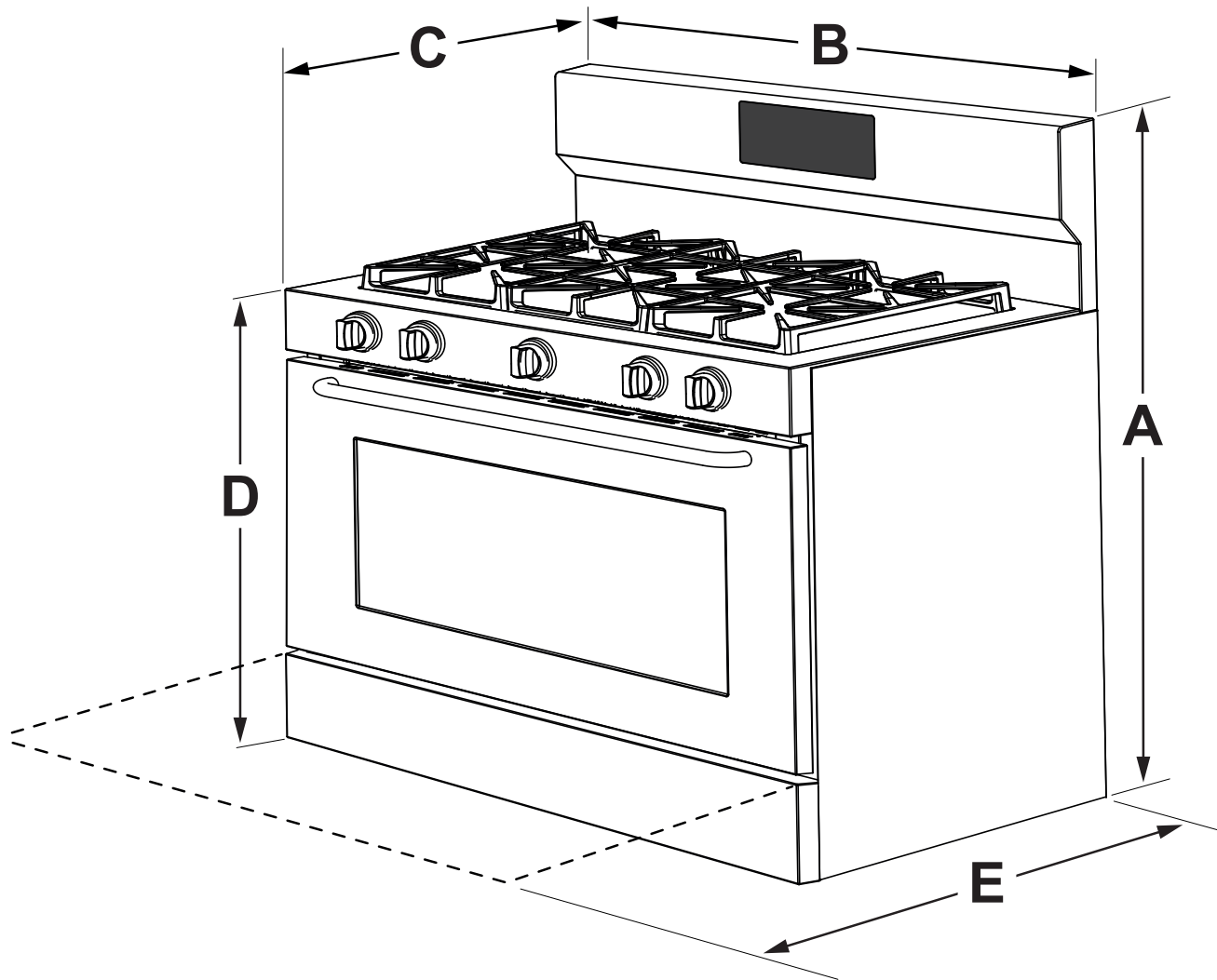


Figure 1 : Dimensions du produit

MODÈLE	A. HAUTEUR	B. LARGEUR	C. PROFONDEUR D'ARRIÈRE À L'AVANT DE LA CUISINIÈRE	D. HAUTEUR DE LA SURFACE DE CUISSON	E. PROFONDEUR AVEC PORTE OUVERTE
40"	121 cm (47 ⁵ / ₈ po)	101,6 cm (40 po)	72,4 cm (28 ¹ / ₂ po) max	91,4 cm (36 po) max	113,7 cm (44 ³ / ₄ po)

NOTICE D'INSTALLATION DE LA CUISINIÈRE BIÉNERGIE DE 101,600 cm (40 po)

Dimensions des armoires

Dimensions et dégagements

- Fournir un dégagement adéquat entre l'appareil et les surfaces combustibles adjacentes.
- Emplacement – vérifier l'emplacement où l'appareil sera installé. Vérifier l'alimentation électrique et la stabilité du plancher.
- Les dimensions indiquées doivent être respectées. Les dimensions données assurent un dégagement minimal. La surface de contact doit être solide et de niveau.

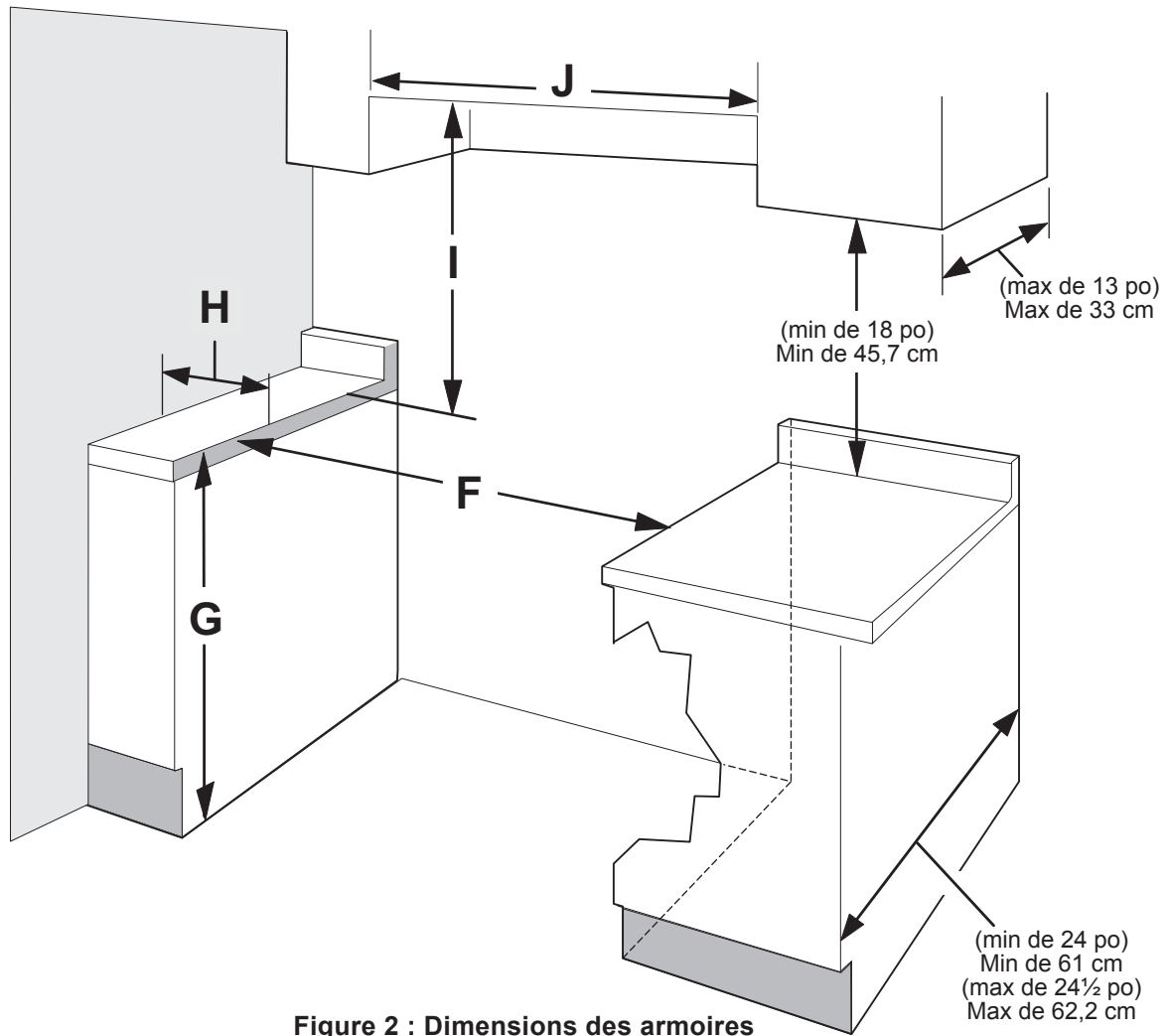


Figure 2 : Dimensions des armoires

MODÈLE	F. LARGEUR DE DÉCOUPE MINIMALE	G. HAUTEUR DU COMPTOIR	H. DÉGAGEMENT DES MURS LATÉRAUX ²	I. ESPACEMENT ENTRE LA SURFACE DE CUISSON ET LE BAS DE L'ARMOIRE ³	J. DÉGAGEMENT DES ARMOIRES SUPÉRIEURES
40"	102,2 cm (40¼ po)	91,4 cm (36 po) standard 90,8 cm (35¾ po) min	12,7 cm (5 po) min	76,2cm (30 po) min	101,6 cm (40 po) min

REMARQUES :

1. Ne pas appuyer la cuisinière directement sur les côtés des armoires.
2. Dégagement des murs adjacents, des surfaces verticales ou d'autres structures comme les armoires.
3. Les mesures indiquées représentent le minimum d'espacement entre la surface de cuisson et le bas de l'armoire.
4. Aucun jeu [0 cm (0 po)] entre la cuisinière et les armoires ou les surfaces verticales situées en dessous de la surface de cuisson.
5. Aucun jeu [0 cm (0 po)] entre l'arrière de la cuisinière et le mur ou les armoires

NOTICE D'INSTALLATION DE LA CUISINIÈRE BIÉNERGIE DE 101,600 cm (40 po)

1 Fabrication des armoires

ATTENTION Pour éliminer le risque de brûlures ou d'incendie en tentant d'atteindre des objets situés au-dessus des ronds, il est déconseillé d'installer des armoires au-dessus de la cuisinière. S'il y a une armoire au-dessus de la cuisinière, il faut réduire les risques en installant une hotte qui projette à l'horizontale d'un minimum de 12,700 cm (5 po) au-delà de la partie inférieure de l'armoire.

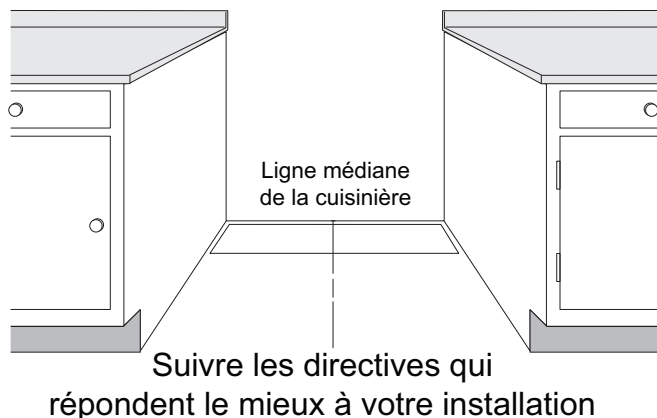


Figure 3 : Fabrication des armoires

1.1 Installation : Armoire des deux côtés

1. Pour installer la cuisinière avec une armoire sur deux côtés, tracer une ligne médiane sur le plancher entre les armoires (Figure 5).
2. Si l'arrière de la cuisinière n'effleure pas le mur (l'emplacement de la prise murale n'autorise pas un positionnement contre le mur), tracer une ligne sur le sol pour démarquer l'arrière de l'électroménager.
3. Installer les supports antibasculement (voir « Installation du support antibasculement »).

1.2 Installation : Armoire d'un seul côté

1. Pour installer la cuisinière avec une armoire d'un seul côté, la placer en sa position finale.
2. Tracer une ligne sur le sol le long du côté de la cuisinière qui n'est pas appuyée contre l'armoire. Si l'arrière de la cuisinière n'effleure pas le mur (l'emplacement de la prise murale n'autorise pas un positionnement contre le mur), tracer une ligne sur le sol pour démarquer l'arrière de l'électroménager.
3. Installer les supports antibasculement (voir « Installation du support antibasculement »).

1.3 Installation : Sans armoire

1. Pour installer la cuisinière sans armoire, la placer en sa position finale.
2. Tracer une ligne sur le sol le long des deux côtés de la cuisinière. Si l'arrière de la cuisinière n'effleure pas le mur (l'emplacement de la prise murale n'autorise pas un positionnement contre le mur), tracer une ligne sur le sol pour démarquer l'arrière de l'électroménager.
3. Installer le support antibasculement (voir « Installation du support antibasculement »).

2 Alimentation

AVERTISSEMENT

Risque de décharge électrique – cet appareil nécessite une mise à la terre électrique. Utiliser uniquement le cordon d'alimentation fourni avec l'appareil. Les mauvais raccords électriques ou les mises à la terre inadéquates peuvent entraîner une décharge électrique, des dommages à l'appareil, des lésions corporelles, un incendie, voire la mort.


Exigences de mise à la terre

Cet électroménager doit être installé et mis à la terre par un technicien qualifié.

Aux États-Unis, installer en respectant les consignes du National Fuel Gas Code ANSI Z223.1/NPFA No 54, dernière édition, du National Electrical Code NFPA no 70, dernière édition, et les exigences du code électrique local. Au Canada, installer conformément aux dernières éditions de la norme CAN/CGA B149.1 et CAN/CGA B149.2 et CSA C22.1, de la 1^{re} partie du Code canadien de l'électricité et aux exigences du code d'électricité local en vigueur.

Pour des raisons de sécurité, cet électroménager doit être correctement mis à la terre. Pour garantir une sécurité maximale, le cordon d'alimentation doit être branché dans une prise électrique de tension adéquate, être correctement polarisé et bien mis à la terre conformément aux codes locaux en vigueur. Il est de la responsabilité personnelle du client de fournir une prise électrique de tension adéquate, proprement installée par un électricien qualifié.

Cet électroménager doit être branché sur une prise murale standard de type 14-50R.

Prise murale électrique	
	Nécessaire pour toutes les installations Prise standard à 4 fils (14-50R)

Lorsque seule une alimentation électrique monophasée à 4 fils de 240 V CA, 60 Hz est disponible, l'électroménager nécessite une protection minimale de 40 ampères par fusibles sur les deux conducteurs de la ligne.

Nous suggérons un disjoncteur ou des fusibles temporisés.

Veiller à ce que la prise murale soit à la portée de l'emplacement d'installation final.

Éviter de pincer le cordon d'alimentation entre la cuisinière et le mur.

NOTICE D'INSTALLATION DE LA CUISINIÈRE BIÉNERGIE DE 101,600 cm (40 po)

Emplacement suggéré pour l'installation de la prise murale

L'emplacement suggéré pour la prise murale est illustré à la Figure 4. La prise peut également être située dans le coin inférieur gauche de l'armoire de droite, comme le montre la Figure 5.

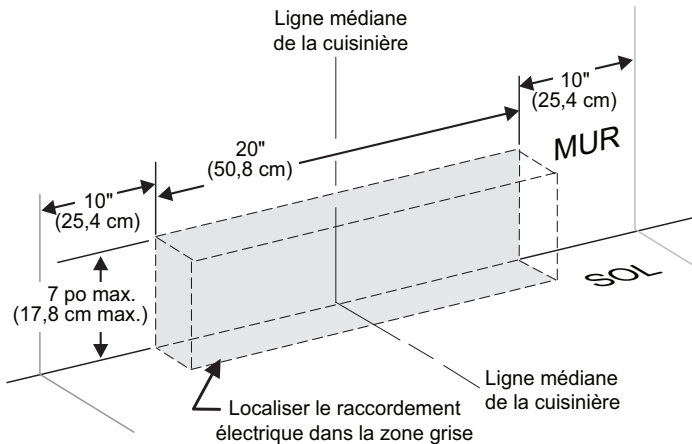


Figure 4 : L'emplacement de la prise derrière la cuisinière

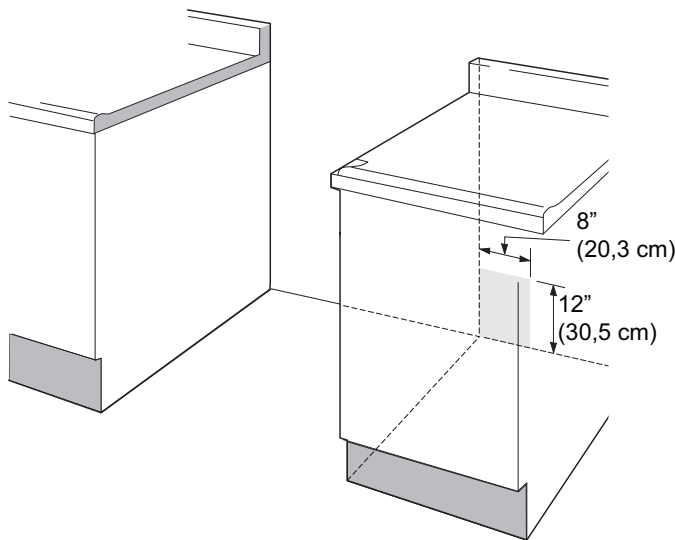


Figure 5 : Emplacement de la prise du cabinet adjacent

3 Cordon d'alimentation

⚠ AVERTISSEMENT

Risque de décharge électrique – ne pas tenter de connecter l'électroménager directement à une boîte de jonction, de modifier le cordon d'alimentation installé en usine ou de connecter un autre cordon d'alimentation. Si la prise murale ne suffit pas à subvenir aux exigences de l'électroménager, il est de la responsabilité du client de fournir une prise appropriée installée par un électricien. Une mauvaise installation et des connexions électriques inadéquates peuvent provoquer une décharge électrique, causer des dommages à l'appareil, de blessures, un incendie, voire la mort.

Cet appareil est équipé d'un cordon d'alimentation à 4 fils connecté en usine (Figure 6). Ce cordon est homologué pour une puissance nominale de 240 volts, 40 ampères à température nominale de 90 °C (194 °F). Ce cordon est homologué UL/CSA et approuvé pour utilisation avec cet électroménager.

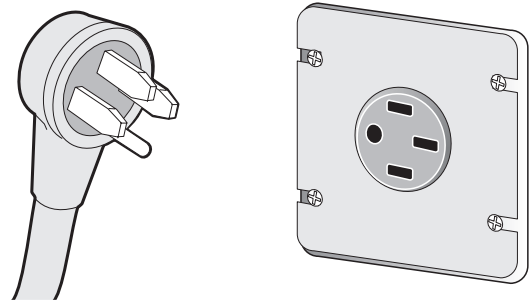


Figure 6 : Cordon d'alimentation installé en usine

Cotation ÉnerGuide de l'électroménager*		Tension nominale
120/240 Volts	120/208 Volts	A
0-10 kW	0-7.6 kW	30
8,8 à 16,5 kW	7,8 à 12,5 kW	40 ou 50
16,6 à 22,5 kW	12,6 à 18,5 kW	50

* La charge NEC calculée est inférieure à la charge totale raccordée inscrite sur la plaque signalétique.

4 Alimentation en carburant

Cet appareil est conçu pour fonctionner avec une pression de collecteur de gaz naturel de 1,0 kPa, représentant une colonne d'eau de 10,16 cm (4 po).

Un régulateur de pression convertible est raccordé au collecteur de la cuisinière et DOIT être raccordé en série avec l'alimentation en gaz. Le régulateur est situé à l'endroit indiqué sur la Figure 7 et il est accessible par l'avant de la cuisinière.

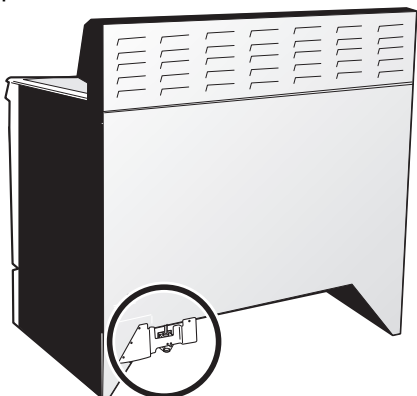


Figure 7 : Emplacement du régulateur

Pour un fonctionnement adéquat, la pression d'entrée maximale au régulateur ne doit pas dépasser les 35,56 cm (14 po) de pression de la colonne d'eau (3,5 kPa).

La pression d'admission au régulateur doit être d'au moins 0,25 kPa (1 po) plus élevée que le réglage de pression du collecteur du régulateur. Le régulateur est réglé sur une colonne d'eau de 10,16 cm (4 po) (1,0 kPa) de pression au collecteur de gaz naturel; la pression d'entrée doit représenter au moins une colonne d'eau de 12,60 cm (5 po) de gaz naturel (1,25 kPa).

Pour fonctionner à 2000 pieds au-dessus du niveau de la mer, la cotation ÉnerGuide de l'électroménager est réduite de 4 pour cent par tranche de 1000 pieds.

4.1 Emplacement de l'approvisionnement en gaz

La tuyauterie d'alimentation en gaz naturel peut passer à travers la paroi de l'armoire de droite. L'armoire

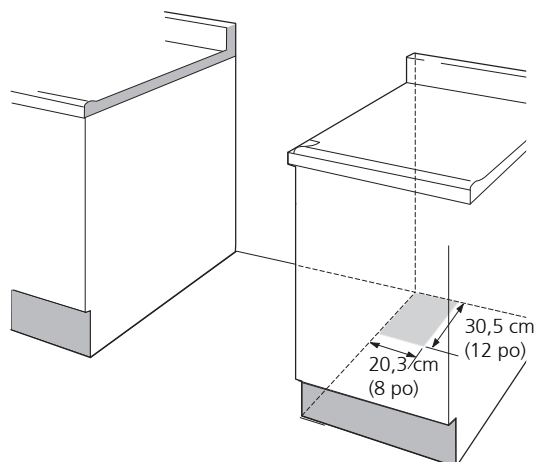


Figure 8 : Emplacement suggéré de l'approvisionnement en gaz

de droite est un endroit idéal pour le robinet d'arrêt si la cuisinière est installée à l'intérieur de l'espace de rangement de l'armoire.

4.2 Robinet d'arrêt

La ligne d'alimentation doit être équipée d'un robinet d'arrêt approuvé comme illustré à la Figure 9. Le robinet doit être dans la même pièce que la cuisinière et doit se trouver dans un endroit facile d'accès pour l'ouverture et la fermeture. Ne pas bloquer l'accès au robinet d'arrêt. Le robinet sert à ouvrir ou fermer l'arrivée de gaz à l'appareil.

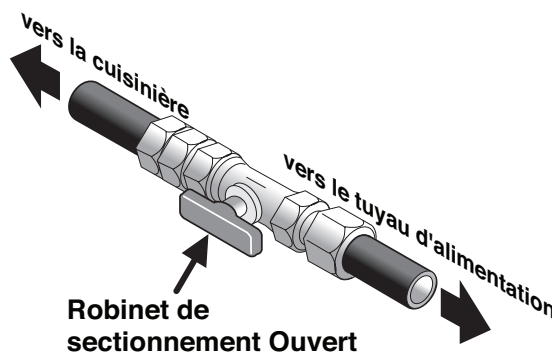


Figure 9 : Robinet d'arrêt

L'approvisionnement en gaz naturel entre le robinet d'arrêt et le régulateur peut être raccordé par tuyauterie rigide ou par union métallique flexible homologuée A.G.A./C.G.A. à la tuyauterie où les codes locaux le permettent.

L'utilisateur doit connaître l'emplacement du robinet d'arrêt et y avoir un accès facile.

4.3 Conversion au gaz de pétrole liquéfié (GPL)

Cet appareil peut être converti au gaz de pétrole liquéfié (GPL).

⚠ AVERTISSEMENT Il peut se produire une décharge électrique ou des blessures, voire la mort, si la conversion au GPL n'est pas effectuée par un installateur qualifié ou un électricien. Tout ajout, toute modification ou toute conversion requise par l'électroménager dans le but de répondre aux exigences de l'application doit être faite par un technicien qualifié.

Si la conversion au GPL est nécessaire, demander l'aide de votre prestataire de services GPL. La trousse de conversion au GPL est fournie avec l'électroménager; elle est située sur le panneau ARRIÈRE inférieur de la cuisinière. Avant d'installer la trousse, lire attentivement les directives de conversion au GPL et les suivre à la lettre durant l'installation.

Pour le GPL ou le propane, le régulateur doit être réglé sur une colonne d'eau de 25,4 cm (10 po) (2,5 kPa) de pression au collecteur de gaz naturel; la pression d'entrée doit représenter au moins une colonne d'eau de 27,9 cm (11 po) de gaz naturel (2,75 kPa).

5 Raccord de l'alimentation en carburant

5.1 Raccord d'alimentation en carburant

⚠ AVERTISSEMENT Cet appareil doit être installé, mis à la terre et entretenu par un installateur qualifié ou un technicien ou une technicienne en entretien et en réparation.

⚠ ATTENTION Éviter de trop serrer les raccords. Le régulateur est coulé sous pression. Un serrage excessif peut fissurer le régulateur entraînant une fuite de gaz et des risques d'incendie ou d'explosion.

L'électroménager comporte un régulateur. L'alimentation en gaz nécessite les pièces suivantes qui ne sont pas fournies avec l'appareil :

- Robinet d'arrêt manuel
- Mamelons de 127 mm (1/2 po) (2)
- Adaptateur de raccord conique de 127 mm (1/2 po) (2)
- Raccord flexible

L'alimentation en gaz au robinet d'arrêt doit être 127 mm (1/2 po) ou de 190 mm (3/4 po).

Installer le tuyau d'alimentation en gaz du régulateur de pression dans l'ordre indiqué à la Figure 10. Tous les raccords doivent être serrés avec une clé.

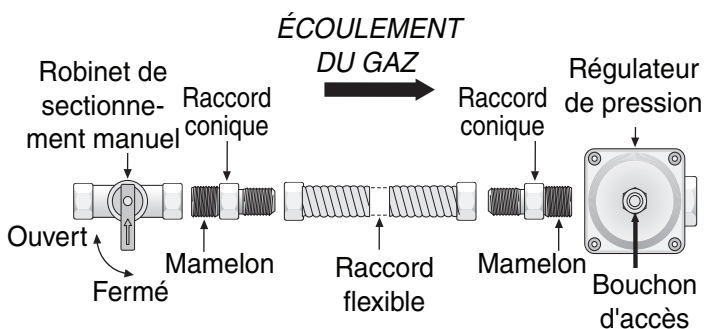


Figure 10 : Écoulement du carburant dans le raccord

Lors de l'utilisation de conduites de gaz flexible pour la cuisinière, laisser amplement de mou pour tirer l'électroménager hors de la découpe pour le nettoyage ou l'entretien.

Utiliser une pâte à joint projetée pour l'usage avec le GLP ou le gaz propane pour sceller tous les raccords de gaz. Si des raccords flexibles sont utilisés, veiller à ce qu'ils ne soient pas déformés.

Éviter de coincer le conduit flexible entre le mur et la cuisinière.

5.2 Vérifier la présence de fuites

⚠ AVERTISSEMENT Ne pas utiliser une flamme pour détecter des fuites de gaz naturel. La recherche de fuites avec une flamme peut provoquer un incendie ou une explosion.

Après avoir raccordé la cuisinière à l'arrivée de gaz, vérifier l'étanchéité du circuit avec un manomètre. Si un manomètre n'est pas disponible, ouvrir l'alimentation en gaz et utiliser un détecteur de fuite liquide (ou de l'eau et du savon) à tous les joints et les raccords pour détecter les fuites. Des bulles apparaissent aux raccords ou aux joints en présence d'une fuite.

Toutes les ouvertures dans le mur ou le plancher où la cuisinière est installée doivent être scellées.

1. Le cas échéant, serrer tous les raccords pour prévenir toute fuite de gaz dans la conduite d'alimentation ou à la surface de cuisson.
2. Débrancher la cuisinière et son robinet d'alimentation en gaz de la tuyauterie du système durant tout essai de pression supérieure à 1/2 lb/po2 [3,5 kPa ou 35,56 cm (14 po) de colonne d'eau].
3. Isoler la cuisinière de la tuyauterie d'alimentation en gaz en fermant son robinet d'arrêt manuel pendant tout essai de pression du système de tuyauterie d'alimentation en gaz à des pressions d'essai égales ou inférieures à 1/2 lb/po2 [3,5 kPa ou 35,56 cm (14 po) de colonne d'eau].

6 Installer les grilles de four

Les grilles de four sont soutenues à l'intérieur de la cavité du four par deux échelles installées sur les parois.

1. Placer l'échelle avec ses crochets vers le haut dans les supports situés sur les parois du four (voir la Figure 11).

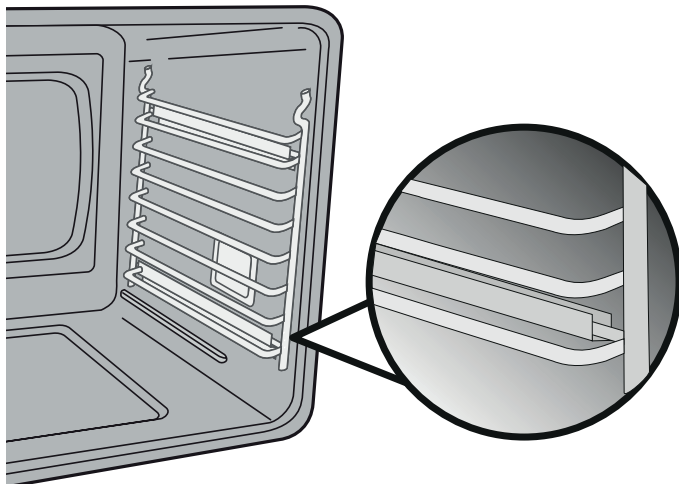


Figure 11 : Échelle de support des grilles

2. Placer les grilles à plat dans le four à la position souhaitée.

Pour faciliter l'installation et leur déplacement, appliquer une fine couche d'huile de cuisson sur les côtés des grilles qui viennent en contact avec les supports de l'échelle.

7 Mise à niveau de la cuisinière

Mettre la cuisinière de niveau et régler la hauteur de la surface de cuisson avant de l'installer dans la découpe (le cas échéant).

1. Installer une grille au centre du four.
2. Placer un niveau sur la grille (figure 12). Faire 2 relevés avec le niveau en diagonale dans un sens puis dans l'autre.

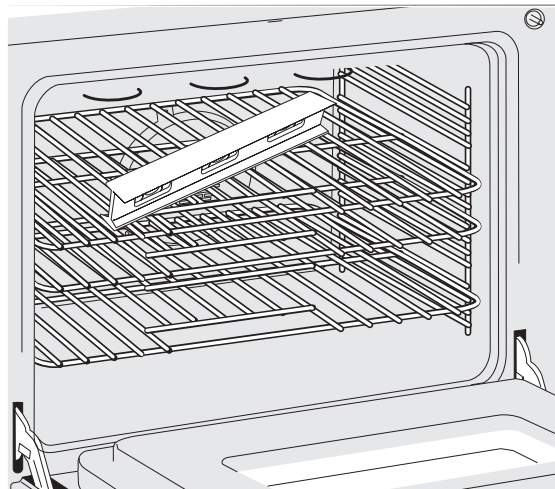


Figure 12 : Utiliser la grille du four pour mettre l'électroménager de niveau

3. Le cas échéant, mettre la cuisinière de niveau en ajustant les quatre pieds niveleurs avec une clé (Figure 13).
4. Faire glisser la cuisinière dans la découpe et vérifier deux fois le niveau. Si la cuisinière n'est pas de niveau, la tirer hors de la découpe et réajuster les pieds de mise à niveau, ou s'assurer que le plancher est de niveau.

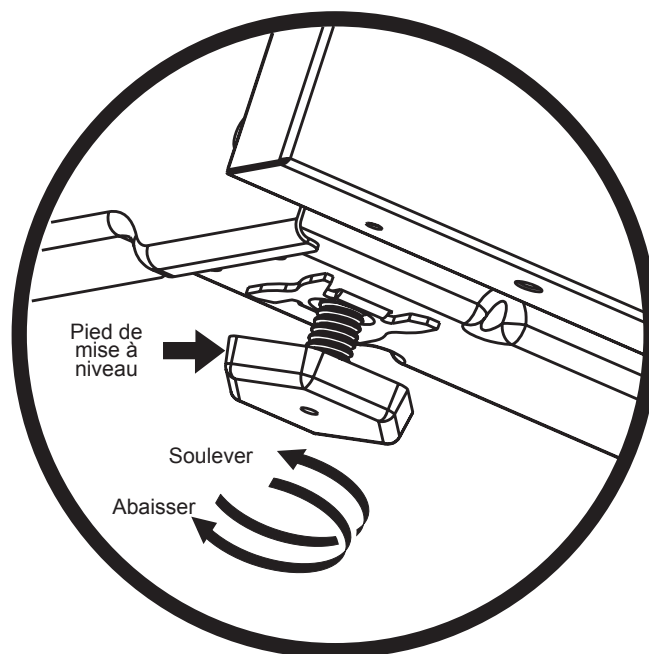


Figure 13 : Réglage de la hauteur de l'électroménager

8 Installation du support antibasculement

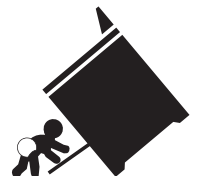
⚠ AVERTISSEMENT Pour réduire le risque de renversement, l'électroménager doit être fixé au sol à l'aide du support antibasculement correctement installé à l'aide des vis fournies. Ces pièces sont expédiées dans le four. Ne pas installer le support antibasculement permettra à la cuisinière de basculer si un poids excessif est placé sur une porte ouverte ou si un enfant monte dessus. Des blessures graves peuvent résulter d'un déversement de liquides chauds ou du basculement de la cuisinière.

Si jamais la cuisinière est déplacée ailleurs, le support antibasculement doit suivre et être réinstallé.

Outils nécessaires :

- Clé à molette
- Clé à cliquet
- Perceuse et foret de 1/8 po (320 mm)
- Tournevis à douille de 5/16 po (0,8 mm)
- Niveau

⚠ AVERTISSEMENT Risque de basculement

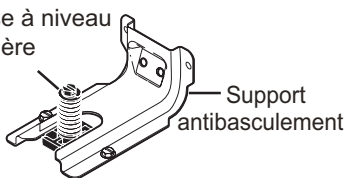


- Un enfant ou un adulte peut faire basculer la cuisinière et en mourir.
- Vérifier que le dispositif antibasculement est solidement fixé au plancher ou au mur.

- S'assurer que le dispositif antibasculement est bien réenclenché au mur ou au plancher si la cuisinière est déplacée.
- Ne pas faire fonctionner la cuisinière si le dispositif antibasculement n'est pas en place et enclenché.
- Le non-respect de ces instructions peut causer des blessures fatales ou de graves brûlures chez les enfants et les adultes.



Pied de mise à niveau de la cuisinière



Support antibasculement

Pour vérifier si le support antibasculement est correctement installé, attraper le bord arrière de la cuisinière à deux mains. Essayer doucement de faire basculer la cuisinière vers l'avant. Lorsque le support est correctement installé, la cuisinière ne doit pas basculer vers l'avant.

Voir les instructions d'installation du support anti-renversement fournies avec la cuisinière pour valider que l'installation est effectuée de façon appropriée.

8.1 Situer le support avec le gabarit

Le support peut être situé sur le côté gauche ou droit de la cuisinière. Tracer une ligne sur le sol ou sur le mur démarquant la gauche ou la droite de l'emplacement de la cuisinière.

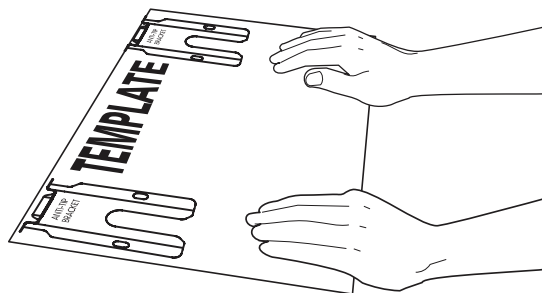


Figure 14 : Gabarit de support

Si l'arrière de la cuisinière effleure le mur ou ne se situe pas plus loin que 3,2 cm (1¼ po) du mur une fois installé, utiliser la méthode de montage au mur ou au sol. Si une moulure prévient la mise en place du support contre le mur, enlever la moulure ou installer le support au sol.

Pour un montage mural, situer le support en plaçant le bord arrière du gabarit contre le mur et le bord latéral du gabarit sur le repère démarquant le côté de la cuisinière. Placer le support sur le gabarit et marquer l'emplacement des trous de vis dans le mur.

Si l'arrière de la cuisinière est à plus de 3,2 cm (1¼ po) du mur une fois installé, fixer le support au sol. Pour un montage au sol, situer le support en plaçant le bord arrière du gabarit là où l'arrière de la cuisinière sera situé.

Marquer l'emplacement des trous de vis comme indiqué sur le gabarit.

8.2 Percer des trous de départ et fixer le support

Percer un trou de départ de 1/8 po (40 mm) à l'endroit où les vis doivent être situées. Si le support est monté au mur, percer des trous à angle descendant d'environ 20°. Si le support est monté à la maçonnerie ou sur un plancher en céramique, percer un trou de départ de 3/16 po (4,8 mm) à profondeur de 4,445 cm (1¾ po).

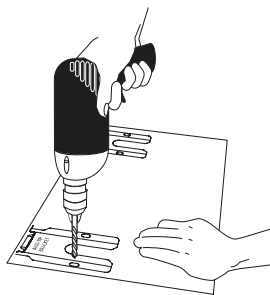


Figure 15 : Percer des trous de départ

Les vis fournies peuvent être utilisées dans le bois ou des composants de béton. Utiliser un tournevis à douille de 5/16 po (8 mm) ou un tournevis à lame pour fixer le support en place.

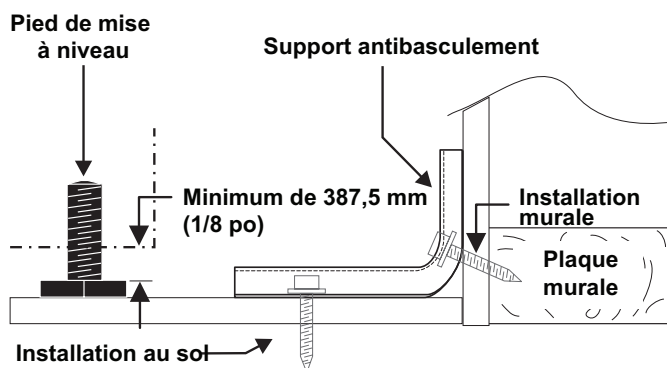


Figure 16 : Installation du support

8.3 Vérification du niveau et de l'emplacement de la cuisinière

Vérifier le niveau de l'installation finale. Remarque : Un écart minimum de 40 mm (1/8 po) est nécessaire entre le bas de la cuisinière et le pied de mise à niveau pour laisser un jeu pour le support. Utiliser un niveau pour vérifier vos réglages.

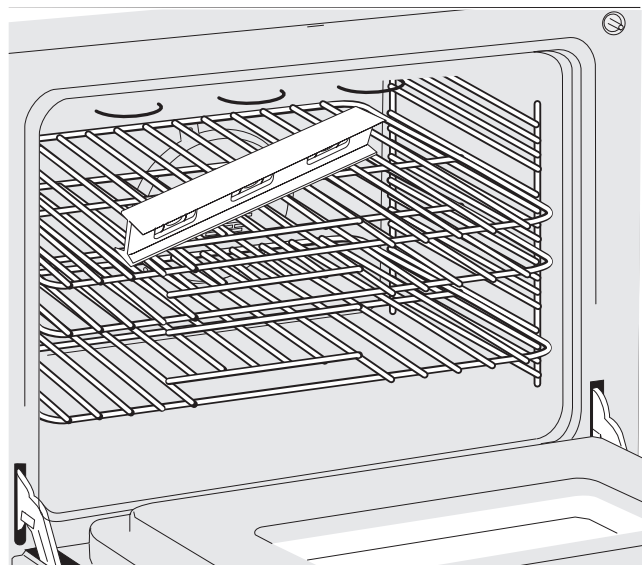


Figure 17 : Utiliser la grille du four pour mettre l'électroménager de niveau

Glisser la cuisinière en position.

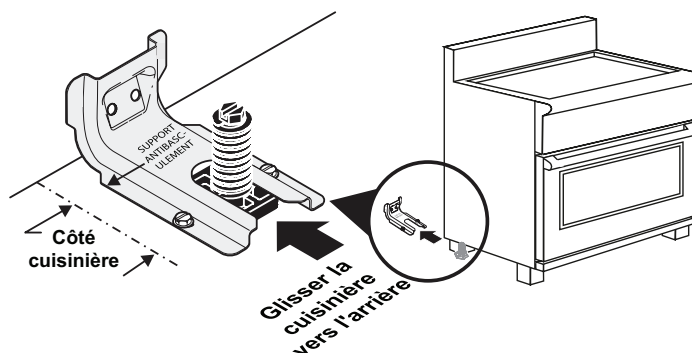


Figure 18 : Faire glisser la cuisinière dans le support

Pour vérifier si le support est installé correctement, saisir le bord arrière de la cuisinière avec les deux bras. Tenter de basculer l'avant de la cuisinière avec précaution. Lorsque le pied est correctement installé, la cuisinière ne doit pas pencher vers l'avant.

Si jamais la cuisinière est déplacée ailleurs, le support antibasculement doit suivre et être réinstallé.

9 Préparation des assemblages brûleur

9.1 Installer les capuchons de brûleur

ATTENTION Pour prévenir les poussées, veiller à ce que les capuchons de brûleur soient installés correctement avant d'utiliser la surface de cuisson.

1. Placer un capuchon sur chaque tête de brûleur; il doit correspondre à la taille de brûleur (voir la Figure 19). Le bouchon de chaque brûleur est muni d'une bague intérieure pour centrer correctement le capuchon sur la tête de brûleur.

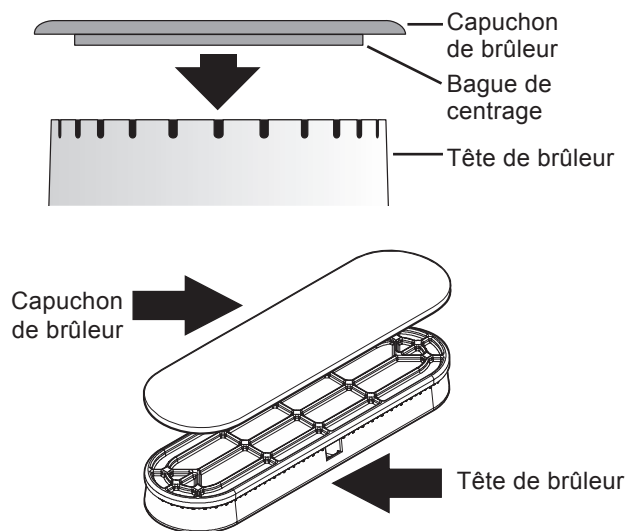


Figure 19 : Assemblage d'un capuchon de brûleur

2. Veiller à ce que chaque capuchon de brûleur soit correctement aligné et de niveau comme illustré à la Figure 20. Il se peut que les brûleurs ne s'allument pas ou brûlent uniformément si les capuchons ne sont pas placés correctement sur la tête.

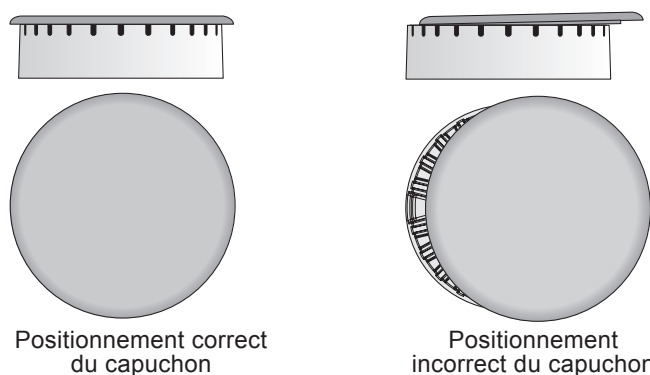


Figure 20 : Emplacement d'un capuchon de brûleur

9.2 Vérifier l'allumage des brûleurs de surface

Le fonctionnement des allumeurs électriques doit être vérifié après que la ligne d'alimentation et les connecteurs ont été soigneusement vérifiés pour détecter les fuites et que la cuisinière a été connectée à l'énergie électrique. Pour vérifier l'allumage :

1. Appuyer et tourner le bouton d'un brûleur de surface sur la position d'allumage. Tous les circuits d'allumage électronique vont produire une étincelle en même temps. Seul le brûleur dont vous tournez le bouton s'enflamme.
2. Le brûleur de surface doit s'allumer une fois que le gaz atteint le brûleur. En fonctionnement normal, chaque brûleur doit s'allumer dans les 4 secondes après que l'air ait été purgé des conduites d'alimentation. Vérifier visuellement l'allumage du brûleur.
3. Une fois le brûleur allumé, le bouton de commande doit être ramené hors de la position LITE.

Tourner chaque bouton des brûleurs de surface et valider qu'ils s'allument correctement et que les flammes sont égales. Régler les paramètres le cas échéant.

9.3 Réglage des paramètres de basse intensité des brûleurs de surface

Pour régler le niveau de basse intensité des brûleurs de surface :

1. Appuyer et tourner la commande sur LITE jusqu'à ce que le brûleur s'enflamme.
2. Ramener rapidement le bouton sur la POSITION LA PLUS BASSE.
3. Si le brûleur s'éteint, remettre le contrôle sur OFF (arrêt).
4. Enlever le bouton de contrôle du brûleur de surface et son anneau décoratif.
5. Insérer un tournevis à lame mince dans le creux de la tige de soupape et engager la vis à l'intérieur comme illustré à la Figure 21. La taille de la flamme peut être augmentée ou diminuée en tournant la vis.

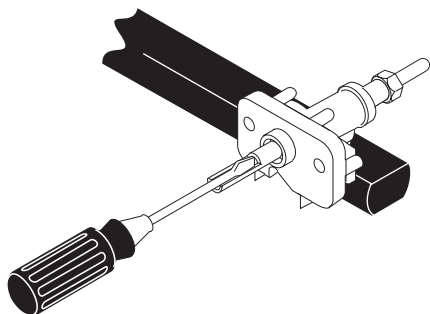


Figure 21 : Tourner pour régler la flamme de surface

6. Régler la flamme jusqu'à ce que vous puissiez rapidement tourner le bouton de la position d'allumage à la plus basse position sans éteindre la flamme. La flamme doit être aussi faible que possible sans s'éteindre.

Remarques :

- Le réglage du mélange d'air n'est pas nécessaire pour les brûleurs de surface.
- Certains modèles sont munis de brûleurs à deux flammes. La flamme centrale de ces brûleurs n'est pas réglable.

10 Vérification du fonctionnement du four

Voir le Guide d'utilisation et d'entretien fourni avec la cuisinière pour les instructions de fonctionnement, d'entretien et de nettoyage.

Retirer tout l'emballage du four avant de le mettre à l'essai.

Le four est muni d'une commande électronique. Chaque fonction a été vérifiée en usine avant expédition. Cependant, il est suggéré de vérifier le bon fonctionnement des commandes du four une fois de plus. Consulter le Guide du propriétaire. Suivre les directives de fonctionnement de l'horloge, du minuteur, pour la cuisson, les plats grillés, la convection et le nettoyage.

Cuire au four – une fois le four réglé sur BAKE (cuisson), puis à 177 °C (350 °F), le fond de la cavité du four doit commencer à chauffer.

Faire griller au four – lorsque le four est réglé sur BROIL (griller), l'élément supérieur du four doit devenir rouge.

Nettoyage – lorsque le four est réglé pour un cycle d'autonettoyage, l'élément supérieur doit devenir rouge pendant la partie préchauffage du cycle. Une fois la température d'autonettoyage atteinte, le fond de la cavité du four doit devenir chaud.

Convection – lorsque le four est réglé sur CONV. BAKE/ROAST (convection, cuire/rôtir) à 177 °C (350 °F), les deux éléments s'allument et s'éteignent à tour de rôle et le ventilateur de convection tourne. Le ventilateur de convection s'arrête de tourner quand la porte du four est ouverte pendant la cuisson par convection ou grillage.

11 Après l'installation

Lorsque tous les raccordements sont terminés

Veiller à ce que tous les contrôles soient mis sur la position OFF (arrêt).

Emplacement du numéro de modèle et de série

La plaque signalétique se trouve sur le haut du panneau avant inférieur; il peut être clairement vu lorsque la porte est ouverte. Lorsque vous commandez des pièces détachées ou si vous avez des questions à propos de votre électroménager, garder les numéros de modèle et de série à la main. (Figure 22).

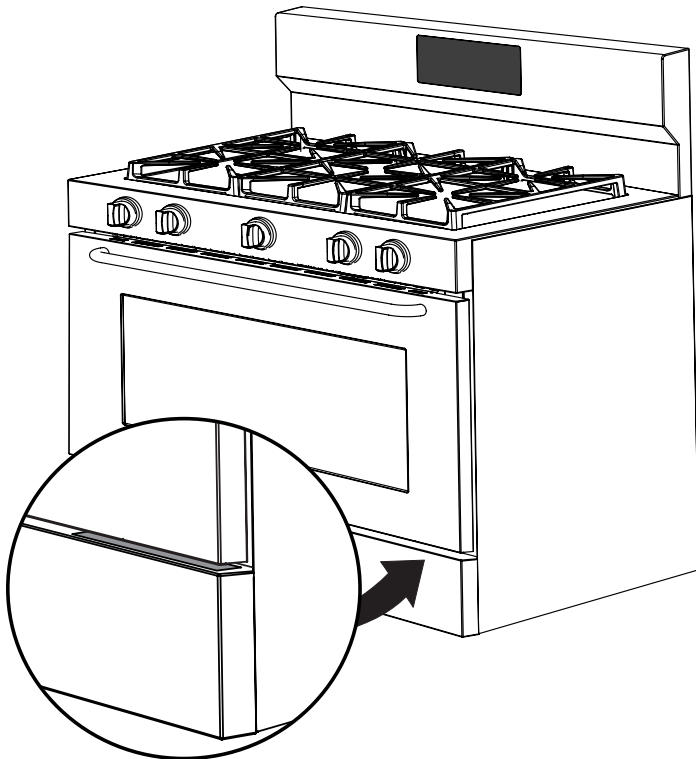


Figure 22 : Emplacement du numéro de série et du modèle

Avant d'appeler le réparateur

Lire les instructions de fonctionnement et vérifier la liste de contrôle dans votre Guide du propriétaire pour éviter les appels inutiles. Cela peut vous faire économiser temps et argent. La liste comprend des situations courantes qui ne résultent pas d'un vice de fabrication ou de matériau.

Consulter la garantie et revoir les informations plus détaillées sur l'entretien, ou notre numéro de téléphone et notre adresse dans votre Guide du propriétaire. Téléphoner ou écrire si vous avez des questions au sujet de votre cuisinière ou besoin de commander des pièces.