



FRIGIDAIRE

Factory Parts Catalog

Product No.	FPIC3677RFA
	949163308
Series	Professional
Color	stainless
Market	North America
Owner's Guide	A01704801
Installation Instructions	A01705202
Service Data Sheet	A00498604

Frigidaire

P.O. BOX 8020
CHARLOTTE, NC 28262

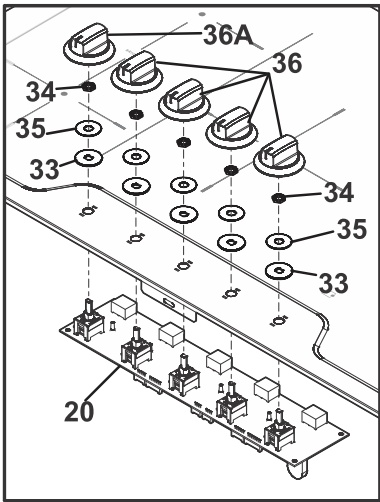
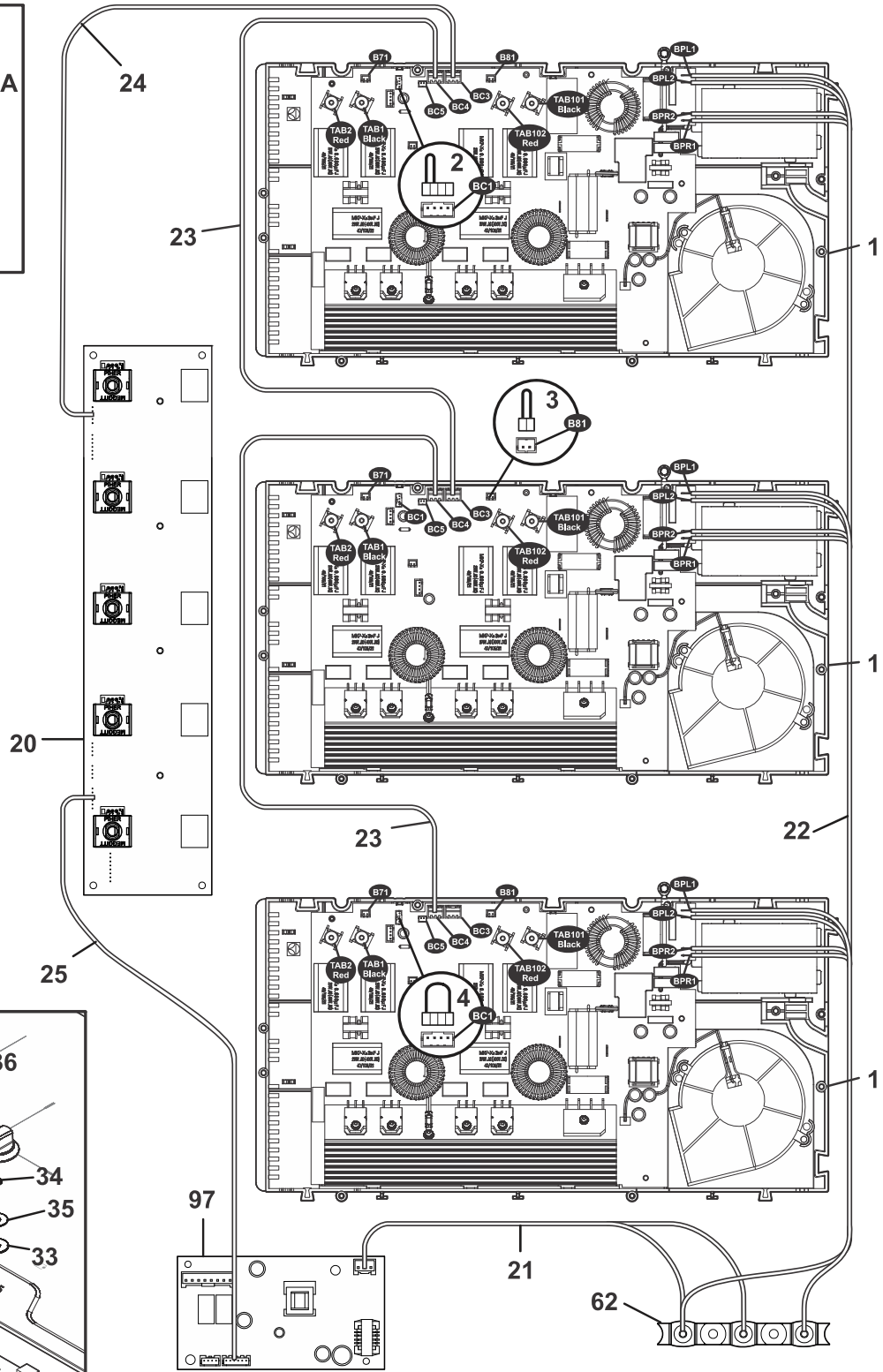
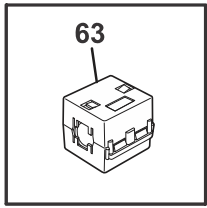
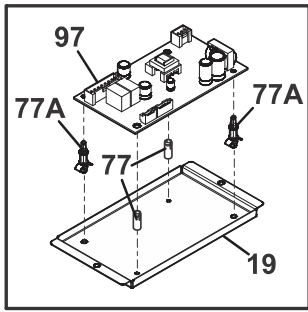
**This Publication Replaces
Publication # 5995675153**

Publication No.
5995675641
16/05/31
(EN/SERVICE/ECL)
377

36" INDUCTION COOK-TOP

Model No.
FPIC3677R

CONTROLS/INDUCTION UNIT

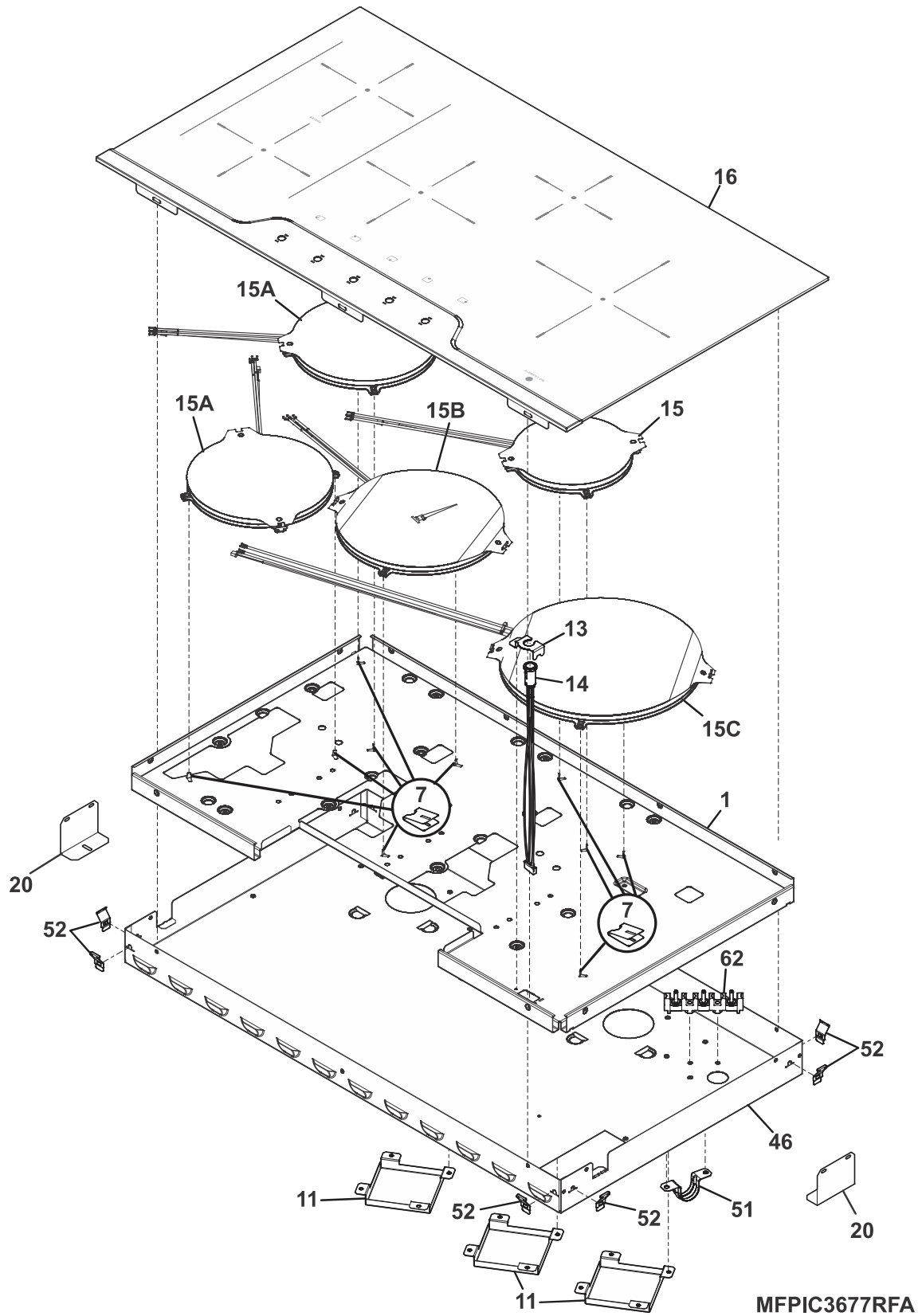


CFPIC3677RFA

CONTROLS/INDUCTION UNIT

POS. NO	PART NO.	DESCRIPTION
1 #	357266097	Generator, circuit board, induction, 2 zone
2 #	5304506068	Wire, jumper, LH generator, BC1
3	387540300	Bridging Plug, dummy NTC, B81, center gen.
4 #	318578302	Wire, jumper, RH generator, BC1
19	5304506069	Box, protection, SMPS1
20 #	808844001	Board Assembly, user interface, proteus
21 #	5304506070	Harness, wiring, power board, to term. block
22 #	5304506098	Harness, wiring, main
23 #	318578332	Harness, wiring, communication
24 #	5304506103	Harness, wiring, UI board, to LH zone
25 #	5304506102	Harness, wiring, UI board, to power board
33	318146012	Bushing, control, (4)
34	316247700	Nut, mounting
35	318086007	Washer, flat, (4), control
36	5304506074	Knob, control, single
36A	5304506075	Knob, control, dual
62	316056000	Terminal Block
62*	305376201	Nut, terminal block, (2)
62*	305452800	Screw, ground
63	5304506076	Filter, ferrite choke
77	316247900	Spacer, power board
77*	305309608	Screw, M4
77A	316114100	Spacer
97 #	808844401	Board Assembly, power
* #	5304506104	Box & wires assy
*	202855101	Holder, cable
*	305309704	Screw, ST, 4.2 : 12, (9)
*	330447900	Screw, B4, 2 x 9, 5

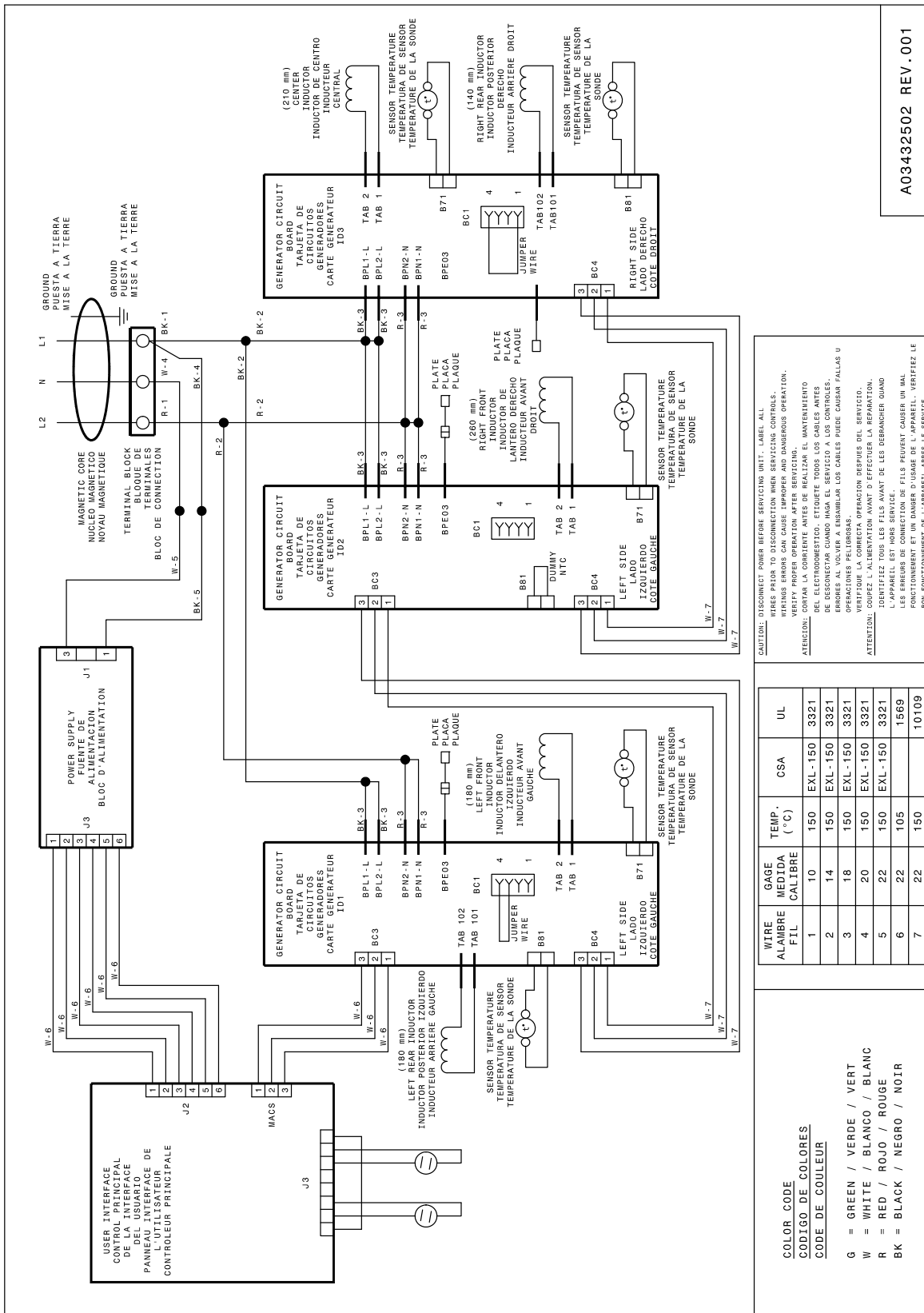
MAIN TOP/SURFACE UNITS



MAIN TOP/SURFACE UNITS

POS. NO	PART NO.	DESCRIPTION
1	5304506099	Carrier Panel, induction coils, 36"
7	808697402	Spring, induction coil
11	5304506079	Deflector, air
13	5304506080	Bracket, indicator light
14 #	5304506081	Light, indicator
15 #	357226265	Element, induction coil, 140 mm
15A#	357226364	Element, induction coil, 180 mm
15B#	357227569	Element, induction coil, 210 mm
15C#	5304506100	Element, induction coil, 260 mm
16	5304506101	Maintop, glass, stainless/blk
20	318121912	Bracket, retainer, (2)
20*	3131048	Screw, 8 x 5/8
20*	5303307980	Screw, 8-32 x 0.437, (4)
46	5304506097	Box, protection, 36"
51	318389600	Bracket, conduit mtg.
52	387174602	Bracket, spring, cooktop mtg.
62	316056000	Terminal Block
62*	305309608	Screw, M4
62*	305376201	Nut, terminal block, (2)
62*	305452800	Screw, ground
*	318163601	Cleaner-cooktop
*	318163602	Cleaner, stainless steel
*	5304462994	Screw, 8-32 x 5/16

WIRING DIAGRAM



A03432502 REV. 001

CAUTION: DISCONNECT POWER BEFORE SERVICING UNIT. LABEL ALL WIRES PRIOR TO DISCONNECTION WHEN SERVICING CONTROLS. WIRING ERRORS CAN CAUSE IMPROPER AND DANGEROUS OPERATION. VERIFY PROPER OPERATION AFTER SERVICING.

ATENCIÓN: CORTAR LA CORRIENTE ANTES DE REALIZAR EL MANTENIMIENTO DEL ELECTRODOMESTICO. ETIQUETE TODOS LOS CABLES ANTES DE DISCONECTAR CUANDO HAGA EL SERVICIO A LOS CONTROLES. LAS OPERACIONES PERRIGROSAS. VERIFIQUE LA CORRECTA OPERACION DESPUES DEL SERVICIO.

ATTENTION: IDENTIFIEZ TOUS LES FILS AVANT DE LES DEBRANCHER QUAND L'APPAREIL EST HORS SERVICE. ETIQUETEZ TOUS LES CABLES AVANT LE FONCTIONNEMENT ET UN CHANGER D'USAGE DE L'APPAREIL. VERIFIEZ LE BON FONCTIONNEMENT DE L'APPAREIL APRES LE SERVICE.

WIRE ALAMBRE FIL	GAGE MEDIDA CALIBRE	TEMP. (°C)	CSA	UL
1	10	150	EXL-150	3321
2	14	150	EXL-150	3321
3	18	150	EXL-150	3321
4	20	150	EXL-150	3321
5	22	150	EXL-150	3321
6	22	105	EXL-150	1569
7	22	150		10109

COLOR CODE
CODIGO DE COLORES
CODE DE COULEUR

G = GREEN / VERDE / VERT
W = WHITE / BLANCO / BLANC
R = RED / ROJO / ROUGE
BK = BLACK / NEGRO / NOIR

WIRING DIAGRAM

