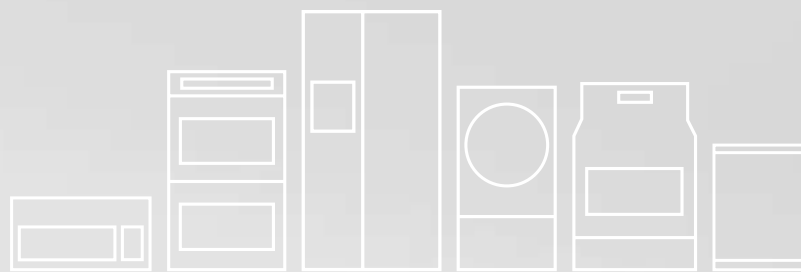


FRIGIDAIRE

All about the

Installation, Use & Care

of your Range Hood



Important Safety Instructions	3
List of materials	5
Electrical requirements	5
Location requirements	6
Product dimensions	6
Venting Requirements	7
Prepare the location	8

Install Range Hood (Ducted version)	10
Make Electrical Connection	11
Range Hood Use	12
Range Hood Care	13
Troubleshooting	15
Warranty Information	16

WELCOME & CONGRATULATIONS

Questions?

1-800-374-4432

(United States)

1-800-265-8352

(Canada)

Please attach sales receipt here for future reference.

Congratulations on your purchase of a new range hood! At **Electrolux Home Products**, we are very proud of our product and are completely committed to providing you with the best service possible. Your satisfaction is our number one priority.

We know you'll enjoy your new range hood and **Thank You** for choosing our product. We hope you consider us for future purchases.

PLEASE CAREFULLY READ AND SAVE THESE INSTRUCTIONS

This Use & Care Manual provides specific operating instructions for your model. Use your range hood only as instructed in this manual. These instructions are not meant to cover every possible condition and situation that may occur. Common sense and caution must be practiced when installing, operating and maintaining any appliance.

Please record your model and serial numbers below for future reference.

Model Number: _____

Serial Number: _____

Purchase Date: _____

NEED HELP?

Visit the Frigidaire Web Site at: <http://www.frigidaire.com>

Before you call for service, there are a few things you can do to help us serve you better.

Read this manual.

It contains instructions to help you use and maintain your range hood properly.

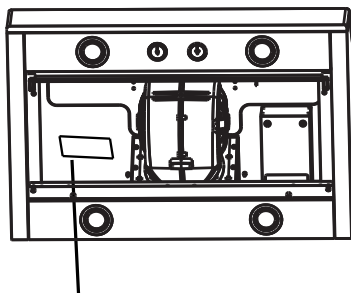
If you received a damaged range hood... immediately contact the dealer (or builder) that sold you the range hood.

Save time and money.

Check the section titled "Troubleshooting". This section helps you solve common problems that might occur. If you do need service, you can relax knowing help is only a phone call away. A list of toll-free customer service numbers is included in the back of this manual. Or call Frigidaire Customer Services at 1-800-374-4432, Monday through Saturday from 8 am to 8 pm Eastern Standard Time.

Serial Plate Location

Hinge down the vent grille and remove the grease filters. Refer to page 13 for additional information



The serial plate is located on the left inside of the range hood

IMPORTANT SAFETY INSTRUCTIONS

Read all instructions before using this appliance.

Save these instructions for future references

Approved for residential appliances

For residential use only

Do not attempt to install or operate your appliance until you have read the safety precautions in this manual. Safety items throughout this manual are labeled with a WARNING or CAUTION based on the risk type.

!This is the safety alert symbol. It is used to alert you to potential personal injury hazards. Obey all safety messages that follow this symbol to avoid possible injury or death.

! WARNING

This symbol alerts you to situations that may cause serious body harm, death or property damage.

! CAUTION

CAUTION indicates a potentially hazardous situation which, if not avoided, may result in minor or moderate injury.

➔ IMPORTANT

IMPORTANT indicates installation, operation, maintenance or valuable information that is not hazard related.

IMPORTANT SAFETY INSTRUCTIONS

! CAUTION

FOR GENERAL VENTILATING USE ONLY. DO NOT USE TO EXHAUST HAZARDOUS OR EXPLOSIVE MATERIALS OR VAPORS.

! WARNING

TO REDUCE THE RISK OF FIRE, ELECTRIC SHOCK, OR INJURY TO PERSONS, OBSERVE THE FOLLOWING:

- A. Use this unit only in the manner intended by the manufacturer. If you have questions, contact the manufacturer
- B. Before servicing or cleaning the unit, switch power off at service panel and lock service panel disconnecting means to prevent power from being switched on accidentally. When the service disconnecting means cannot be locked, securely fasten a prominent warning device, such as a tag, to the service panel.
- C. Installation Work and Electrical Wiring Must Be Done By Qualified Person(s) In Accordance With all Applicable Codes & Standards, Including Fire-rated Construction.
- D. Sufficient air is needed for proper combustion and exhausting of gases through the flue (Chimney) of fuel burning equipment to prevent back-drafting. Follow the heating equipment manufacturers guideline and safety standards such as those published by the National Fire Protection Association (NFPA), the American Society for Heating, Refrigeration and Air Conditioning Engineers (ASHRAE), and the local code authorities.
- E. When cutting or drilling into wall or ceiling, do not damage electrical wiring and other hidden utilities.
- F. Ducted systems must always be vented to the outdoors.

! CAUTION

To reduce risk of fire and to properly exhaust air, do not vent exhaust air into spaces within walls, ceilings, attics, crawl spaces, or garages.

! WARNING

TO REDUCE THE RISK OF FIRE, USE ONLY METAL DUCT WORK.

Install this hood in accordance with all requirements specified.

IMPORTANT SAFETY INSTRUCTIONS

WARNING

To Reduce The Risk Of Fire Or Electric Shock, Do Not Use This Hood With Any External Solid State Speed Control Device.

WARNING

TO REDUCE THE RISK OF A RANGE TOP GREASE FIRE.

- a) Never leave surface units unattended at high settings. Boilovers cause smoking and greasy spillovers that may ignite. Heat oils slowly on low or medium settings.
- b) Always turn hood ON when cooking at high heat or when flambeing food (I.e. Crepes Suzette, Cherries Jubilee, Peppercorn Beef Flambe').
- c) Clean ventilating fans frequently. Grease should not be allowed to accumulate on fan or filter.
- d) Use proper pan size. Always use cookware appropriate for the size of the surface element.

WARNING

TO REDUCE THE RISK OF INJURY TO PERSONS, IN THE EVENT OF A RANGE TOP GREASE FIRE, OBSERVE THE FOLLOWING:

- a) **SMOTHER FLAMES** with a close - fitting lid, cookie sheet, or other metal tray, then turn off the gas burner or the electric element. **BE CAREFUL TO PREVENT BURNS.** If the flames do not go out immediately, **EVACUATE AND CALL THE FIRE DEPARTMENT.**
- b) **NEVER PICK UP A FLAMING PAN** - you may be burned.
- c) **DO NOT USE WATER**, including wet dishcloths or towels - a violent steam explosion will result.
- d) Use an extinguisher **ONLY** if:
 - 1) You know you have a class ABC extinguisher, and you already know how to operate it.
 - 2) The fire is small and contained in the area where it started.
 - 3) The fire department is being called.
 - 4) You can fight the fire with your back to an exit.

OPERATION

Always leave safety grills and filters in place. Without these components, operating blowers could catch onto hair, fingers and loose clothing.

The manufacturer declines all responsibility in the event of failure to observe the instructions given here for installation, maintenance and suitable use of the product. The manufacturer further declines all responsibility for injury due to negligence and the warranty of the unit automatically expires due to improper maintenance.

CAUTION

Remove carton carefully. Wear gloves to protect against sharp edges.

LIST OF MATERIALS

Parts included in your hood

- 3 1/4" x 10" Rectangular vent damper
- 2 - Grease filters
- Use and Care / Installation Manual
- Mounting screw kit
 - 2 - 0.49 * 5.0 cm mounting screws
 - 4 - 0.50 * 1.9 cm mounting screws
 - 6 - 0.40 * 0.8 cm rectangular vent damper screws
 - 2 - plastic wall anchors

Tools/Materials required

- Wire nuts
- Metal duct length to suit installation
- Vent clamps/duct tape as required
- UL listed or CSA approved 1/2" strain relief
- Remove the protective film covering the product before putting into operation.
- 5/64" drill bit for cabinet pilot holes
- Pencil
- Wire cutter / stripper
- Measuring tape
- Caulking gun and weatherproof caulking compound
- Flat-blade screwdriver
- Phillips screwdriver
- Saber or keyhole saw
- Safety glasses
- Gloves

For cabinets with recessed bottoms:

- Two - 2" (5.1 cm) wide filler strips. Length and thickness determined by recess dimensions.
- Four flat head wood screws or machine screws with washers and nuts (to attach filler strips).

ELECTRICAL REQUIREMENTS

Observe all governing codes and ordinances.

Ensure that the electrical installation is adequate and in conformance with National Electrical Code, ANSI/NFPA 70 (latest edition), or CSA Standards C22.1-94, Canadian Electrical Code, Part 1 and C22.2 No. 0-M91 (latest edition) and all local codes and ordinances.

If codes permit and a separate ground wire is used, it is recommended that a qualified electrician determine that the ground path is adequate.

A copy of the above code standards can be obtained from:

National Fire Protection Association

One Batterymarch Park
Quincy, MA 02269

CSA International

8501 East Pleasant Valley Road
Cleveland, OH 44131-5575

- A 120 volt, 60 Hz., AC only, 15-amp, fused electrical circuit is required.

- If the house has aluminum wiring, follow the procedure below:

1. Connect a section of solid copper wire to the pigtail leads.
2. Connect the aluminum wiring to the added section of copper wire using special connectors and/or tools designed and UL listed for joining copper to aluminum.

Follow the electrical connector manufacturer's recommended procedure. Aluminum/copper connection must conform with local codes and industry accepted wiring practices.

- Wire sizes and connections must conform with the rating of the appliance as specified on the model/serial rating plate.
The model/serial plate is located on the left side of the range hood.
- Wire sizes must conform to the requirements of the National Electrical Code, ANSI/NFPA 70 (latest edition), or CSA Standards C22.1-94, Canadian Electrical Code, Part 1 and C22.2 No. 0-M91 (latest edition) and all local codes and ordinances.

LOCATION REQUIREMENTS

➔ IMPORTANT

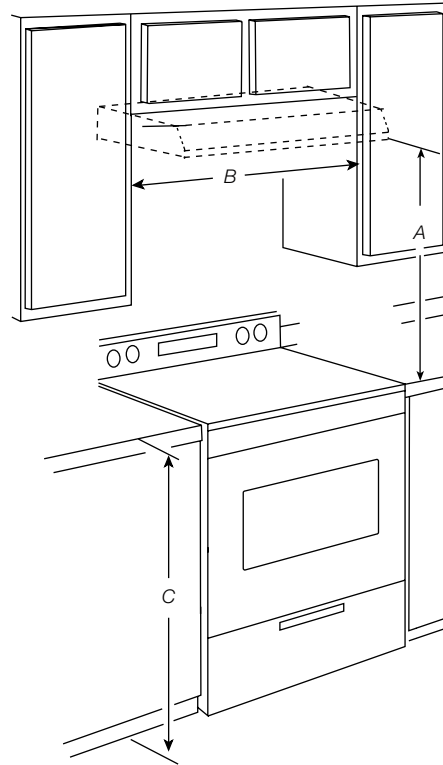
Observe all governing codes and ordinances.

- It is the installer's responsibility to comply with installation clearances.
- Range hood location should be away from strong draft areas, such as windows, doors and strong heating vents.
- Cabinet opening dimensions that are shown must be used. Given dimensions provide minimum clearance.
- Grounded electrical outlet is required. See "Electrical Requirements" section.
- All openings in ceiling and wall where canopy hood will be installed must be sealed.

For Mobile Home Installations

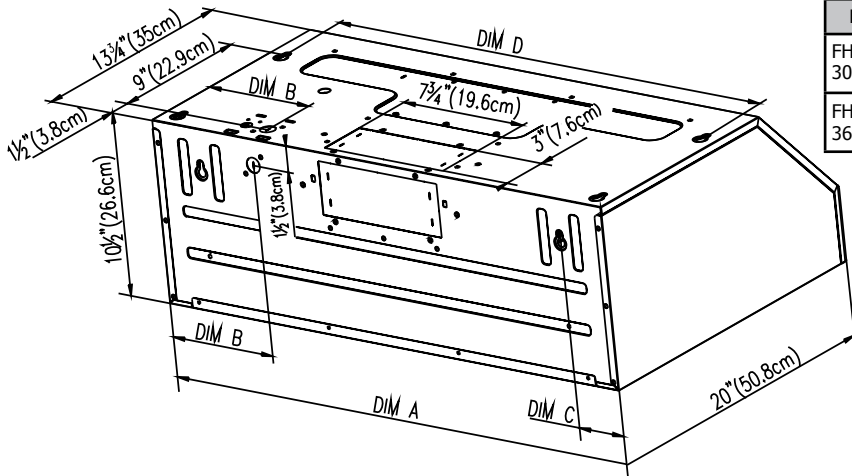
The installation of this range hood must conform to the Manufactured Home Construction Safety Standards, Title 24 CFR, Part 328 (formerly the Federal Standard for Mobile Home Construction and Safety, Title 24, HUD, Part 280) or when such standard is not applicable, the standard for Manufactured Home Installation 1982 (Manufactured Home Sites, Communities and Setups) ANSI A225.1/NFPA 501A, or latest edition, or with local codes.

Cabinet Dimensions



- A. 24" (61.0 cm) min. for electric cooking surfaces
27" (68.6 cm) min. for gas cooking surfaces
30" (76.2 cm) suggested max.
- B. 30" (76.2 cm) min. cabinet opening width for 30" (76.2 cm) models and 36" (91.4 cm) min. cabinet width for 36" (91.4 cm) models.
- C. 36" (91.4 cm) base cabinet height

PRODUCT DIMENSIONS



hood model	Dim A	Dim B	Dim C	Dim D
FHWC3050RS 30" Hood Model	29 7/8" (75.8 cm)	6 1/2" (16.7 cm)	3" (7.6cm)	27 3/4" (70.5 cm)
FHWC3650RS 36" Hood Model	35 3/8" (89.8 cm)	9 1/4" (23.7 cm)	5 3/4" (14.6 cm)	33 1/4" (84.5 cm)

VENTING REQUIREMENTS

- Do not terminate the vent system into an attic or other enclosed area.
- Do not use a 4" (10.2 cm) laundry-type wall cap.
- Use metal vent only. Rigid metal vent is recommended. Plastic or metal foil vent is not recommended.
- The length of vent system and number of elbows should be kept to a minimum to provide efficient performance.

For the most efficient and quiet operation:

- Use no more than three 90° elbows.
- Make sure there is a minimum of 24" (61 cm) of straight vent between the elbows if more than 1 elbow is used.
- Do not install 2 elbows together.
- Use clamps or duct tape to seal all joints in the vent system.
- The vent system at exit must have a cold air damper.
- Use caulking to seal exterior wall or roof opening around the cap.
- Best performances are reached with straight piping, without elbows and using smooth pipe.

Cold Weather Installations

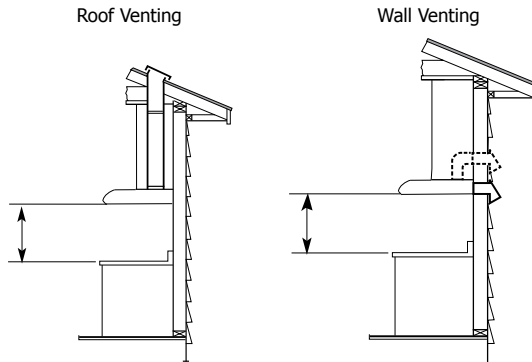
An additional back draft damper should be installed to minimize backward cold air flow and a thermal break should be installed to minimize conduction of outside temperatures as part of the vent system. The damper should be on the cold air side of the thermal break. The break should be as close as possible to where the vent system enters the heated portion of the house.

Makeup Air

Local building codes may require the use of makeup air systems when using ventilation systems greater than specified CFM of air movement. The specified CFM varies from locale to locale. Consult your HVAC professional for specific requirements in your area.

Venting Methods

Vent system can terminate either through the roof or wall. Use 3 1/4" x 10" (8.3 x 25.4 cm) rectangular with a maximum vent length of 35 ft (10.7 m) for vent system.



Calculating Vent System Length

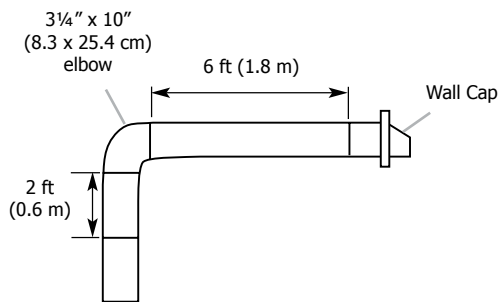
To calculate the length of the system you need, add the equivalent feet (meters) for each vent piece used in the system.

These directions are for rectangular vent installation only. If you choose to use round rigid metal venting the minimum diameter to use is 8".

3 1/4" x 10" (8.3 cm x 25.4 cm) rectangular Vent System

Vent Piece		
3 1/4" x 10" (8.3 cm x 25.4 cm) 90° elbow	5.0 ft (1.5 m)	
3 1/4" x 10" (8.3 cm x 25.4 cm) flat elbow	12.0 ft (3.7 m)	
3 1/4" x 10" (8.3 cm x 25.4 cm) wall cap	0.0 ft (0.0 m)	

Example Vent System



Maximum Recommended Length	= 35 ft (10.7 m)
1 - 90° elbow	= 5.0 ft (1.5 m)
8 ft (2.4 m) straight	= 8.0 ft (2.4 m)
1 - wall cap	= 0.0 ft (0.0 m)
Length of 3 1/4" x 10" (8.3 cm x 25.4 cm) system	= 13.0 ft (3.9 m)

NOTE

Flexible vent is not recommended. Flexible vent creates both back pressure and air turbulence that greatly reduce performance.

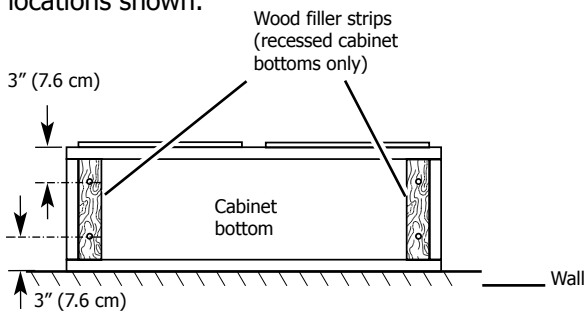
VENTING REQUIREMENTS

PREPARE THE LOCATION

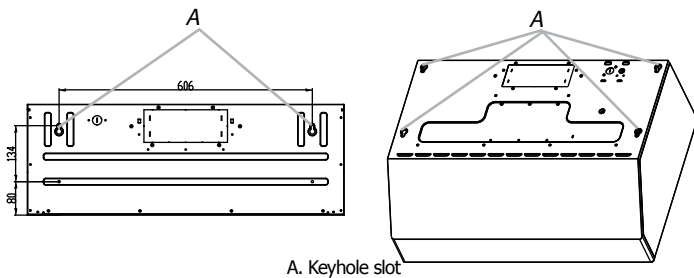
NOTE

Before making cutouts, make sure there is proper clearance within the ceiling, wall or cabinet. Fitting material is provided to secure the hood to most types of walls and cabinets. However, a qualified technician must verify suitability of the materials in accordance with the type of wall and cabinet.

1. Disconnect power.
2. Select a flat surface for assembling the range hood. Place covering over that surface.
3. Lift the range hood and set it upside down onto covered surface.
4. If cabinet has recessed bottom, add "two - 2" (5.1 cm) wide filler strips. Length and thickness determined by recess dimensions. Four flat head wood screws or machine screws with washers and nuts to attach filler strips in locations shown.

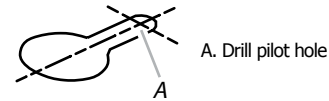


5. Lift the range hood up under cabinet and determine final location by centering beneath cabinet. Mark on the underside of cabinet the location of the 4 keyhole mounting slots on the range hood (See slot dimensions on page 6). Mark rear mounting screw hole locations. Set range hood aside on a covered surface.

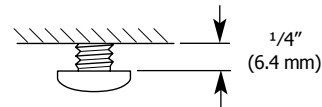


6. Use 5/64" drill bit and drill 4 pilot holes as shown for top range hood support.

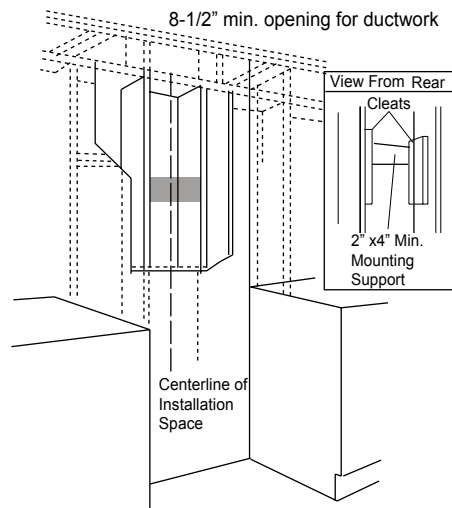
NOTE: Make the drill holes on the thin area of the slot.



7. Install the 4 - 0.50 cm x 1.9 cm mounting screws in pilot holes. Leave about 1/4" (6.4 mm) space between screw heads and cabinet to slide range hood into place.



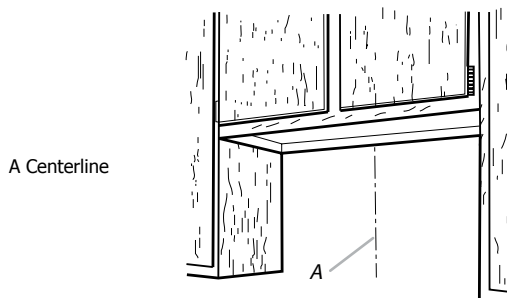
8. Install framing for hood rear support. If drywall is present, using the rear mounting screw hole locations marked in the previous step cut away enough drywall to expose 2 vertical studs at the rear mounting screw holes locations. Install horizontal support at least 2" X 4" between two wall studs at the rear mounting screw holes location. The horizontal support must be flush with the room side of the studs. Use cleats behind both sides of the support to secure to wall studs. Reinstall drywall and refinish. **IMPORTANT** – Framing must be capable of supporting 100 lbs.



PREPARE THE LOCATION

Determine Wiring Hole Location

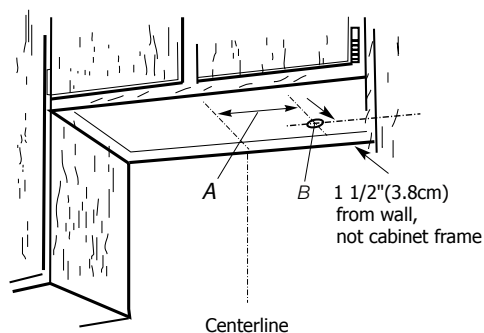
1. Determine and clearly mark a vertical centerline on the wall and cabinet bottom.



To wire through top:

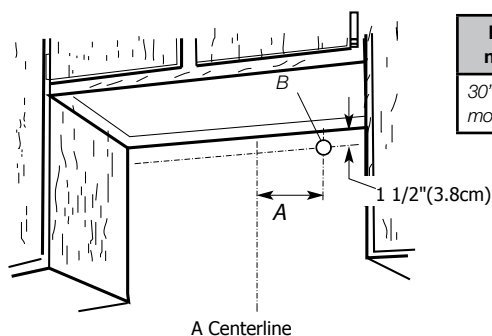
2. Mark a line distance (A) from the right of the centerline on the underside of the cabinet. Mark the point on this line that is 1 1/2" (3.8cm) from back wall. Drill a 1 1/4" (3.2 cm) diameter hole (B) through the cabinet at this point.

hood model	Dim A
30" & 36" models	8 ³ / ₈ " (21.3 cm)



To wire through wall:

1. Mark a line distance (A) from the right of the centerline on the underside of the wall. Mark the point on this line that is 1 1/2" (3.8cm) from the underside of the cabinet. Drill a 1 1/4" (3.2 cm) diameter hole (B) through the rear wall at this point.

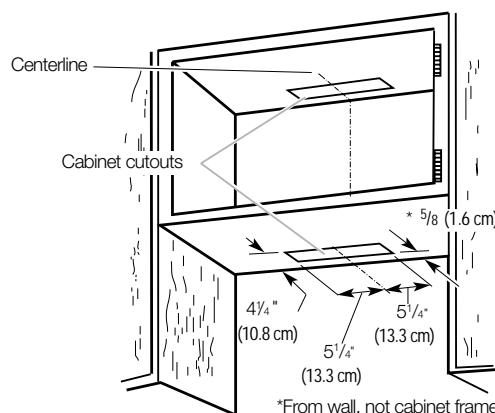


hood model	Dim A
30" & 36" models	8 ³ / ₈ " (21.3 cm)

Roof Venting

To make a 4 1/4" x 10 1/2" (10.8 cm x 26.7 cm) rectangular cutout on the underside of cabinet top and bottom:

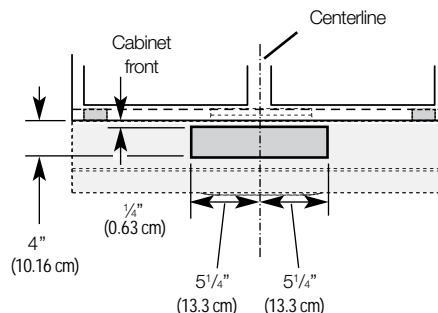
1. Mark lines 5/8" (1.6 cm) and 4 1/4" (10.8 cm) from the back wall on the centerline of the underside of cabinet.
2. Mark lines 5 1/4" (13.3 cm) to the right and left of the centerline on the underside of cabinet.
3. Use saber or keyhole saw to cut a rectangular opening for vent.
4. Repeat steps 1-3 for the underside of the top of the cabinet.



Wall Venting

To make a 4 1/4" x 10 1/2" (10.8 cm x 26.7 cm) rectangle in the wall:

1. Make 2 lines by measuring 1/4" (0.63 cm) and 4" (10.16 cm) down from underside of cabinet and mark on the centerline on the back wall.
2. Mark lines 5 1/4" (13.3 cm) to the right and left of the centerline on the wall.
3. Use saber or keyhole saw to cut a rectangular opening in the wall for the vent.



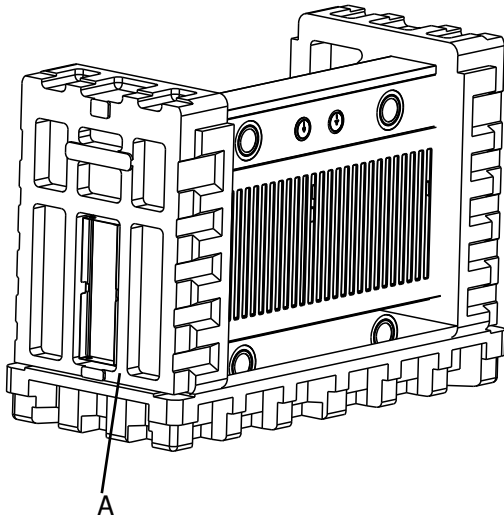
PREPARE THE LOCATION

Install Vent System

1. Install vent through the vent opening in upper cabinet or wall. Complete venting system according to the selected venting method. See "Venting Requirements" section.
2. Use caulking to seal exterior wall or roof opening around the cap.

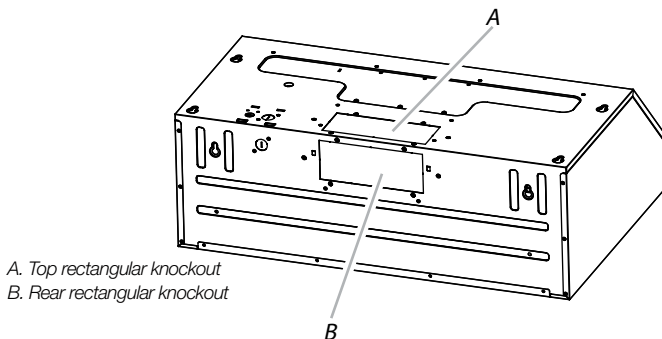
INSTALL RANGE HOOD (Ducted version)

1. Detach the 3¼" x 10" (8.3 x 25.4 cm) rectangular vent damper from the package.



A. 3¼" x 10" (8.3 x 25.4 cm) rectangular vent damper

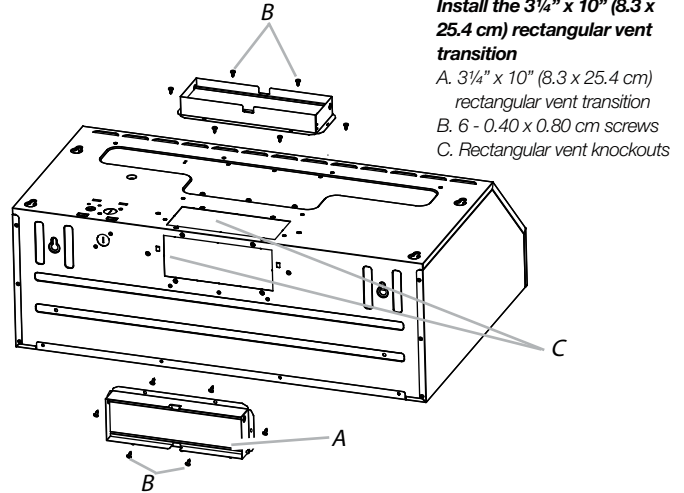
- For roof installations, remove the top rectangular vent knockout A. For wall installations, remove the rear rectangular vent knockout B.



A. Top rectangular knockout
B. Rear rectangular knockout

Vent Damper Installation

Install 3¼" x 10" (8.3 x 25.4 cm) vent damper. Attach to range hood using the indicated screws provided in hardware kit.



Install the 3¼" x 10" (8.3 x 25.4 cm) rectangular vent transition
A. 3¼" x 10" (8.3 x 25.4 cm) rectangular vent transition
B. 6 - 0.40 x 0.80 cm screws
C. Rectangular vent knockouts

- If a vent damper is installed with a wall cap with damper, check that they do not interfere with each other. Remove the vent damper flap if they interfere.

Power Supply Cable Installation

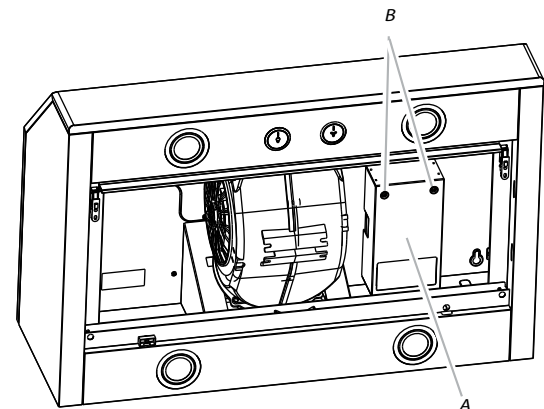
1. For direct wire installations, run the home power supply cable according to the National Electric Code or CSA standards and local codes and ordinances.

NOTE

Do not reconnect power until the installation is complete.

Before starting the installation, remove the vent grill and grease filters.

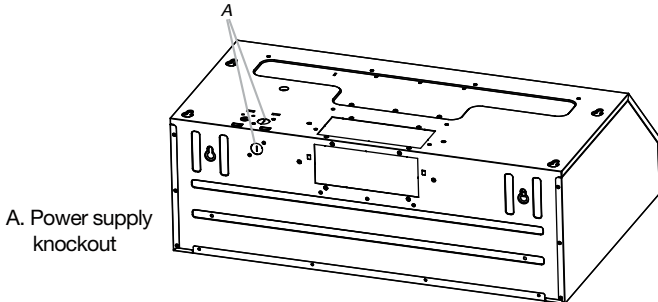
2. Remove the screws from the terminal box cover. Remove terminal box cover and set aside.



A. Terminal box cover
B. Screw

INSTALLING THE HOOD

3. Remove the power supply knockout from the top or rear of the vent hood (depending on the incoming location of your home power supply cable) and install a UL listed or CSA approved 1/2" strain relief.



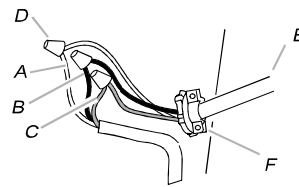
4. Lift the hood into final position. Feed enough electrical wire through the 1/2" UL listed or CSA approved strain relief to make connections in the terminal box. Tighten the strain relief screws.
5. Position the range hood so that the large end of the keyhole slots are over the mounting screws. Then push the hood toward the wall so that the screws are in the neck of the slots. Tighten the mounting screws, making sure the screws are in the narrow neck of slots.
6. Add the 2 rear 0.49 * 5.0 cm rear mounting screws into the narrow neck of the rear keyhole slots. These should screw into the horizontal support that was placed between the two wall studs in section PREPARE THE LOCATION on page 8.
7. Connect ventwork to hood. Seal joints with vent clamps or duct tape to make secure and airtight.
8. Check that back draft dampers work properly.

MAKE ELECTRICAL CONNECTION

WARNING

Electrical Shock Hazard
Disconnect power before servicing.
Replace all parts and panels before operating.
Failure to do so can result in death or electrical shock.

1. Disconnect power.



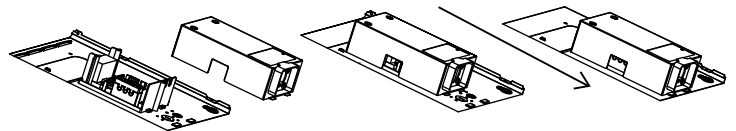
A. White wires
B. Black wires
C. Green ground wire
D. UL listed wire connector
E. Home power supply cable
F. UL listed or CSA approved 1/2" strain relief

2. Use UL listed wire connectors and connect white wires (A) together.
3. Use UL listed wire connectors and connect black wires (B) together.

WARNING

Fire Hazard
Electrically ground the blower. Use copper wire.
Connect ground wire to green wire in terminal box. Failure to do so can result in death, fire, or electrical shock.

4. Connect green (or bare) ground wire from power supply to green wire in terminal box.
5. Install terminal box cover.



6. Reconnect power.

Complete Installation

1. Install grease filters. See the "Range Hood Use" section.
2. Check the operation of the range hood fan and light. See "Range Hood Use" section.

If range hood does not operate, check to see whether a circuit breaker has tripped or a household fuse has blown. Disconnect power and check wiring connections.

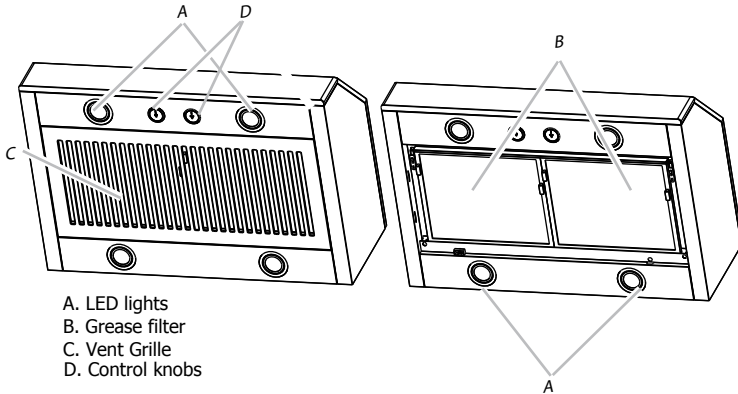
NOTE

To get the most efficient use from your new range hood, read the "Range Hood Use" section.

RANGE HOOD USE

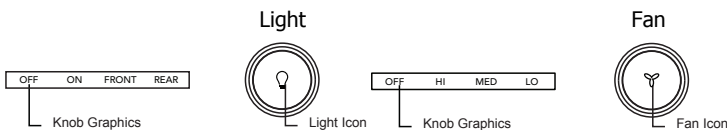
RANGE HOOD USE

The range hood is designed to remove smoke and cooking vapors from the cooktop area. For best results, start the hood before cooking and allow it to operate several minutes after the cooking is complete to clear all smoke from the kitchen.



Range Hood Controls

The hood controls are located at the bottom front section of the unit.

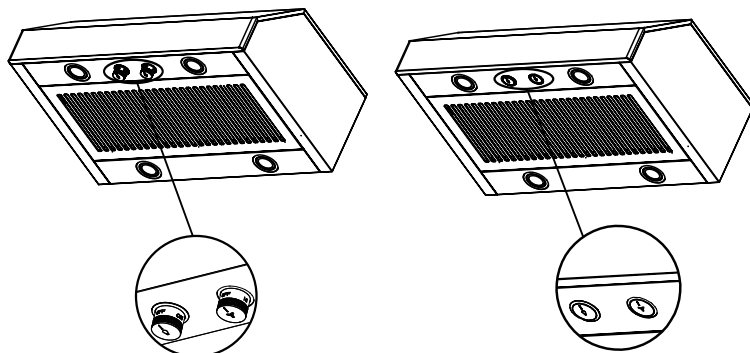


Operating the Light

Push in on knob to release and then rotate it counter clockwise for light On/Front/Rear/Off.

Operating the Fan

Push in on knob to release and then rotate it counter clockwise for fan speeds Hi/Med/Lo/Off.



Cleaning

WARNING

To Reduce The Risk Of Fire Or Electrical shock disconnect from power supply before cleaning.

IMPORTANT

Clean the hood and grease filters frequently according to the following instructions. Replace grease filter before operating hood.

IMPORTANT

Exterior Surfaces

Do not use soap-filled scouring pads, abrasive cleaners, Cooktop Polishing Creme, steel wool, gritty washcloths or paper towels.

To avoid damage to the stainless steel, do not use cleaners that contain chlorine.

Cleaning Method:

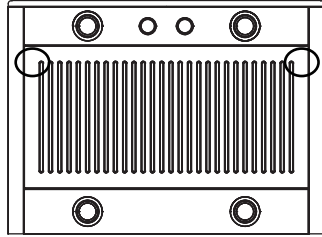
SMUDGE-PROOF™ STAINLESS STEEL
Your range hood has Smudge-Proof™ Stainless Steel finish. Clean the stainless with warm soapy water using a clean sponge or cloth. Rinse with clean water and dry with a soft clean cloth. **DO NOT USE** any cleaners like Stainless Steel cleaners or any other types of cleaners containing any abrasive, chlorides, chlorines or ammonia. It is recommended to use mild dish soap and water or a 50/50 solution of water and vinegar.

RANGE HOOD CARE

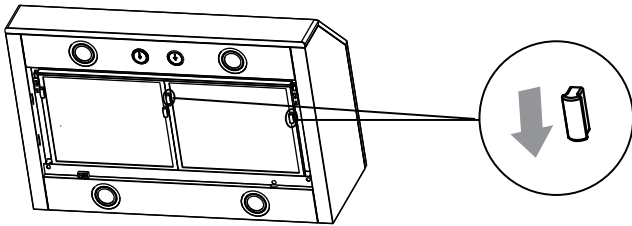
To clean or replace grease filter:

1. Push in at the indicated area to open the vent grille. The vent grille will hinge down for access to the grease filters.

PUSH TO OPEN →



2. To remove or install the grease filters push tab towards the back of the unit.



3. To clean grease filter, soak the filters in hot water using a mild detergent. Rinse well and shake to dry.

NOTE

Do not use ammonia. The aluminum on the grease filter will corrode and darken.

NOTE

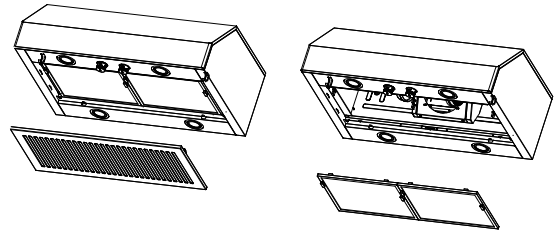
The grease filter is dishwasher safe. To avoid grease filter damage while cleaning, place filter into the dishwasher top rack for cleaning.

WARNING

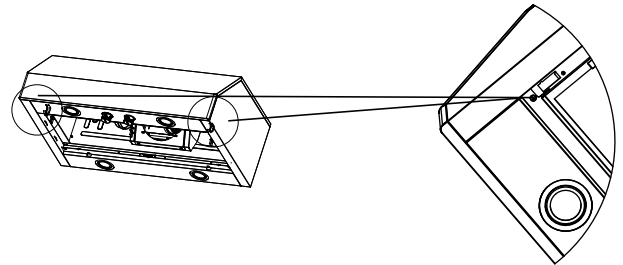
Electrical Shock Hazard
Disconnect power before servicing.
Replace all parts and panels before operating.
Failure to do so can result in death or electrical shock.

Replacing the Front LED lights

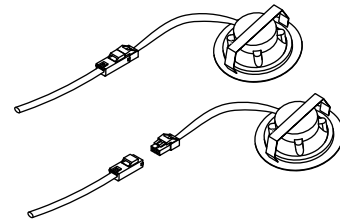
1. Remove the vent grille and grease filters.



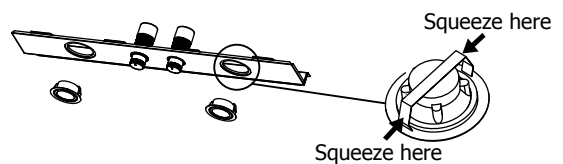
2. Remove the screws at the front support and slide the panel back.



3. Disconnect the front LED lights wiring



4. Squeeze LED lamp mounting clips and push down the LED lights as shown below



5. Replace with new LED lights Part number 5304503879 and re-install the front support

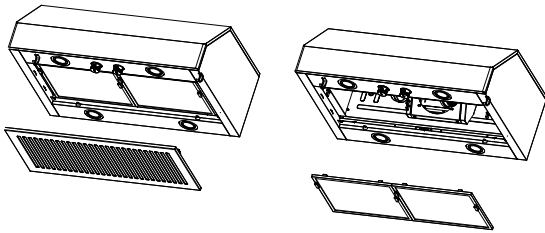
RANGE HOOD CARE

WARNING

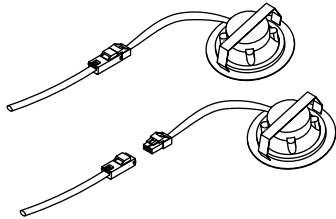
Electrical Shock Hazard
Disconnect power before servicing.
Replace all parts and panels before operating.
Failure to do so can result in death or electrical shock.

Replacing the Rear LED lights

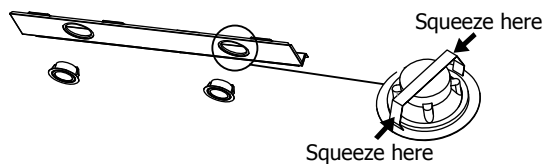
1. Remove the vent grille and grease filters.



2. Disconnect the rear LED lamp wiring



3. Squeeze LED lamp mounting clips and push down the LED lights as shown below.



4. Replace with new LED lights.
Part number 5304503879

TROUBLESHOOTING

Problem	Possible Causes	Solutions
After installation, the unit doesn't work.	1. The power line and the cable connector is not connected properly.	1. Check the power connections.
	2. The wires from the switches are disconnected or loose.	2. Make sure the wires on the switches are connected properly.
Light works, but motor is not turning.	1. The motor is defective, possible seized.	1. Change the motor.
	2. The motor wire is not connected.	2. Make sure the motor wire is plugged into the terminal box connector.
The unit is vibrating.	1. The motor is not secure in place.	1. Tighten the motor in place.
	2. Damaged blower wheel.	2. Change the blower.
	3. The hood is not secured in place.	3. Check the installation of the hood.
The motor is working, but the lights are not.	1. Defective lamp.	1. Change the lamp.
	2. The lamp is loose.	2. Make sure the lamp is seated properly.
	3. The wires on the light switch are loose.	3. Make sure the wires on light switch are connected properly.
The hood is not venting out properly.	1. The hood might be hanging too high from the cook top.	1. Check installation instructions.
	2. The wind from the opened windows or opened doors in the surrounding area are affecting the ventilation of the hood.	2. Close all the windows and doors to eliminate the outside wind flow.
	3. Blockage in the duct opening or duct work.	3. Remove all the blocking from the duct work or duct opening.
	4. The direction of duct opening is against the wind.	4. Adjust the duct opening direction.
	5. Using the wrong size of ducting.	5. Change the ducting to correct size.
Vent grill or grease filter is vibrating.	1. Vent grill or grease filter is loose.	1. Make sure vent grill or grease filter is installed correctly.

Warranty

Your appliance is covered by a one year limited warranty. For one year from your original date of purchase, Electrolux will pay all costs for repairing or replacing any parts of this appliance that prove to be defective in materials or workmanship when such appliance is installed, used and maintained in accordance with the provided instructions.

Exclusions

This warranty does not cover the following:

1. Products with original serial numbers that have been removed, altered or cannot be readily determined.
2. Product that has been transferred from its original owner to another party or removed outside the USA or Canada.
3. Rust on the interior or exterior of the unit.
4. Products purchased "as-is" are not covered by this warranty.
5. Food loss due to any refrigerator or freezer failures.
6. Products used in a commercial setting.
7. Service calls which do not involve malfunction or defects in materials or workmanship, or for appliances not in ordinary household use or used other than in accordance with the provided instructions.
8. Service calls to correct the installation of your appliance or to instruct you how to use your appliance.
9. Expenses for making the appliance accessible for servicing, such as removal of trim, cupboards, shelves, etc., which are not a part of the appliance when it is shipped from the factory.
10. Service calls to repair or replace appliance light bulbs, air filters, water filters, other consumables, or knobs, handles, or other cosmetic parts.
11. Surcharges including, but not limited to, any after hour, weekend, or holiday service calls, tolls, ferry trip charges, or mileage expense for service calls to remote areas, including the state of Alaska.
12. Damages to the finish of appliance or home incurred during installation, including but not limited to floors, cabinets, walls, etc.
13. Damages caused by: services performed by unauthorized service companies; use of parts other than genuine Electrolux parts or parts obtained from persons other than authorized service companies; or external causes such as abuse, misuse, inadequate power supply, accidents, fires, or acts of God.

DISCLAIMER OF IMPLIED WARRANTIES; LIMITATION OF REMEDIES

CUSTOMER'S SOLE AND EXCLUSIVE REMEDY UNDER THIS LIMITED WARRANTY SHALL BE PRODUCT REPAIR OR REPLACEMENT AS PROVIDED HEREIN. CLAIMS BASED ON IMPLIED WARRANTIES, INCLUDING WARRANTIES OF MERCHANTABILITY OR FITNESS FOR A PARTICULAR PURPOSE, ARE LIMITED TO ONE YEAR OR THE SHORTEST PERIOD ALLOWED BY LAW, BUT NOT LESS THAN ONE YEAR. ELECTROLUX SHALL NOT BE LIABLE FOR CONSEQUENTIAL OR INCIDENTAL DAMAGES SUCH AS PROPERTY DAMAGE AND INCIDENTAL EXPENSES RESULTING FROM ANY BREACH OF THIS WRITTEN LIMITED WARRANTY OR ANY IMPLIED WARRANTY. SOME STATES AND PROVINCES DO NOT ALLOW THE EXCLUSION OR LIMITATION OF INCIDENTAL OR CONSEQUENTIAL DAMAGES, OR LIMITATIONS ON THE DURATION OF IMPLIED WARRANTIES, SO THESE LIMITATIONS OR EXCLUSIONS MAY NOT APPLY TO YOU. THIS WRITTEN WARRANTY GIVES YOU SPECIFIC LEGAL RIGHTS. YOU MAY ALSO HAVE OTHER RIGHTS THAT VARY FROM STATE TO STATE.

If You Need Service

Keep your receipt, delivery slip, or some other appropriate payment record to establish the warranty period should service be required. If service is performed, it is in your best interest to obtain and keep all receipts. Service under this warranty must be obtained by contacting Electrolux at the addresses or phone numbers below.

This warranty only applies in the USA and Canada. In the USA, your appliance is warranted by Electrolux Major Appliances North America, a division of Electrolux Home Products, Inc. In Canada, your appliance is warranted by Electrolux Canada Corp. Electrolux authorizes no person to change or add to any obligations under this warranty. Obligations for service and parts under this warranty must be performed by Electrolux or an authorized service company. Product features or specifications as described or illustrated are subject to change without notice.

USA
1.800.944.9044
Electrolux Home Products, Inc.
10200 David Taylor Drive
Charlotte, NC 28262



Canada
1.800.265.8352
Electrolux Canada Corp.
5855 Terry Fox Way
Mississauga, Ontario, Canada
L5V 3E4

FRIGIDAIRE

Tout sur

l'Installation, l'entretien et l'utilisation

de votre Hotte



Importantes consignes de sécurité	3
Liste des matériels	5
Exigences électriques	5
Exigences d'emplacement	6
Dimensions du produit	6
Exigences concernant l'évacuation	7
Préparer l'emplacement	8

Installation de la hotte (version à Conduit).....	10
Effectuer un branchement électrique	11
Utilisation de la hotte	12
Entretien de la hotte	13
Dépannage	15
Informations sur la garantie	16

BIENVENUE ET FÉLICITATIONS

Avez-vous des questions?

1-800-374-4432

(États-Unis)

1-800-265-8352

(Canada)

Please attach sales receipt here for future reference.

Félicitations pour votre achat d'une nouvelle hotte! À **Electrolux Home Products**, nous sommes très fiers de notre produit et nous nous engageons à vous fournir le meilleur service possible. Votre satisfaction est notre priorité absolue.

Nous savons que vous apprécierez votre nouvelle hotte et **Merci** d'avoir choisi notre produit. Nous espérons que vous nous considérez pour de futurs achats.

VEUILLEZ LIRE ATTENTIVEMENT ET CONSERVER CES INSTRUCTIONS

Ce manuel d'utilisation et d'entretien fournit des instructions de fonctionnement spécifiques pour votre modèle. Utilisez votre hotte uniquement comme indiqué dans ce manuel. Ces instructions ne sont pas destinées à couvrir toutes les conditions et situations possibles qui pourraient survenir. Le bon sens et la prudence doivent être exercés lors de l'installation, l'exploitation et l'entretien de tout appareil.

Veillez enregistrer votre modèle et les numéros de série ci-dessous pour de futures références.

Numéro de modèle: _____

Numéro de série: _____

Date d'achat: _____

AVEZ-VOUS BESOIN D'AIDE?

Visiter le site Web de Frigidaire: <http://www.frigidaire.com>

Avant d'appeler le service, il y a certaines choses que vous pouvez faire pour nous aider à mieux vous servir.

Lire ce manuel

Il contient des instructions pour vous aider à correctement utiliser et entretenir votre hotte.

Si vous avez reçu une hotte endommagée... contactez immédiatement le revendeur (ou le constructeur) qui vous a vendu la hotte.

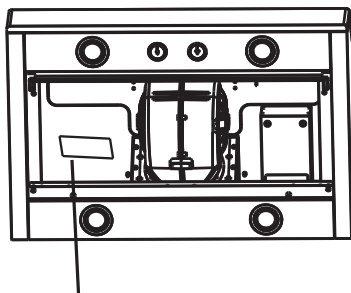
Gagner du temps et de l'argent.

Consulter la section intitulée «Dépannage». Cette section vous aide à résoudre des problèmes communs qui pourraient survenir. Si vous avez besoin d'un service, détendez-vous, sachant qu'un coup de téléphone vous garantira de l'aide.

Une liste de numéros de service à la clientèle sans frais est incluse sur le dos de ce manuel. Ou appeler le Service à la clientèle de Frigidaire au 1-800-374-4432, du lundi au samedi 8 heures-20 heures, heure normale de l'Est.

Emplacement de la plaque de série

Pivoter vers le bas la grille du ventilateur et retirer les filtres à graisse. Se reporter à la page 13 pour plus d'informations



La plaque signalétique se trouve sur la gauche à l'intérieur de la hotte

IMPORTANTES CONSIGNES DE SÉCURITÉ

Lisez toutes les instructions avant d'utiliser cet appareil.

Conserver ces instructions pour de futures références.

Approuvé pour des appareils résidentiels
Pour uniquement des usages résidentiels

Ne pas tenter d'installer ou d'utiliser votre appareil, jusqu'à ce que vous ayez lu les consignes de sécurité dans ce manuel.

Éléments de sécurité présents dans ce guide sont identifiés par un AVERTISSEMENT ou ATTENTION selon le type de risque.

⚠ Voici le symbole d'alerte à la sécurité. Il est utilisé pour vous avertir des risques de blessures potentiels. Respecter tous les messages de sécurité qui suivent ce symbole pour éviter une blessure ou la mort.

⚠ AVERTISSEMENT

Ce symbole vous avertit des situations qui peuvent causer de sérieux dommages du corps, la mort ou des dommages matériels.

⚠ ATTENTION

ATTENTION signale une situation potentiellement dangereuse susceptible d'entraîner des blessures mineures.

➡ IMPORTANT

IMPORTANT indique des informations d'installation, d'exploitation, d'entretien ou des informations précieuses qui ne sont pas liées aux dangers.

IMPORTANTES CONSIGNES DE SÉCURITÉ

⚠ ATTENTION

POUR USAGE DE VENTILATION GÉNÉRALE SEULEMENT. NE PAS UTILISER POUR ÉVACUER DES MATIÈRES OU DES VAPEURS DANGEREUSES OU EXPLOSIVES.

⚠ AVERTISSEMENT

POUR RÉDUIRE LE RISQUE D'INCENDIE, DE CHOC ÉLECTRIQUE OU DE BLESSURE, SUIVRE LES INSTRUCTIONS SUIVANTES:

- Utiliser cet appareil uniquement de la manière prévue par le fabricant. Si vous avez des questions, contactez le fabricant.
- Avant de réparer ou de nettoyer l'appareil, couper le courant au niveau du panneau de service et verrouiller le panneau de service, déconnectant des moyens d'éviter une mise en marche accidentelle. Lorsque le dispositif de déconnexion ne peut être verrouillé, apposer un dispositif d'avertissement bien visible, comme une étiquette, sur le panneau de service.
- Les travaux d'installation et le câblage électrique doivent être effectués par une(des) personne(s) qualifiée(s) en conformité avec tous les codes et normes applicables, y compris la construction à indice de résistance au feu.
- De l'air suffisant est nécessaire pour une bonne combustion et l'évacuation des gaz par le conduit (Cheminée) de l'équipement de combustion de carburant pour empêcher le refoulement de l'air. Suivre les lignes directrices et les normes de sécurité des fabricants d'équipement de chauffage, comme celles publiées par la National Fire Protection Association (NFPA), l'American Society for Heating, Refrigeration and Air Conditioning Engineers (ASHRAE), et les codes des autorités locales.
- Lorsque vous coupez ou percez un mur ou un plafond, n'endommagez pas le câblage électrique et les autres services publics cachés.
- Les systèmes canalisés doivent toujours évacuer de l'air vers l'extérieur.

⚠ ATTENTION

Pour éviter tout risque d'incendie et pour assurer une évacuation d'air appropriée, ne pas évacuer l'air dans les murs, les plafonds, le grenier, les faux plafonds ou les garages.

⚠ AVERTISSEMENT

POUR RÉDUIRE LE RISQUE D'INCENDIE, UTILISER UNIQUEMENT DES CONDUITS EN MÉTAL.

Installer cette hotte en conformité avec toutes les exigences spécifiées.

IMPORTANTES CONSIGNES DE SÉCURITÉ

AVERTISSEMENT

Pour réduire le risque d'incendie ou d'électrocution, ne pas utiliser cette hotte avec tout dispositif externe de contrôle de vitesse semi-conducteur.

AVERTISSEMENT

POUR RÉDUIRE LE RISQUE D'UN INCENDIE DE GRAISSE.

- a) Ne jamais s'éloigner des surfaces d'appareils avec chaleur élevée. Les débordements causent de la fumée et les résidus graisseux peuvent s'enflammer. Chauffer lentement les huiles à feu doux ou moyen.
- b) Faire toujours fonctionner la hotte pour une cuisson à feu vif ou pour faire flamber des repas (c'est-à-dire crêpes Suzette, cerises Jubilé, steak au poivre).
- c) Nettoyer les pales des éventails fréquemment. Éviter de laisser la graisse s'accumuler sur le ventilateur ou le filtre.
- d) Utiliser la taille de casserole qui convient. Utilisez toujours l'ustensile de cuisson approprié à la taille de la surface chauffante de l'élément.

AVERTISSEMENT

POUR RÉDUIRE LE RISQUE DE BLESSURE AUX PERSONNES EN CAS D'INCENDIE DE GRAISSE, RESPECTEZ LES POINTS SUIVANTS:

- a) **ÉTOUFFER LES FLAMMES** à l'aide d'un couvercle hermétique, d'une plaque à biscuits ou d'un autre plateau de métal et éteindre le brûleur à gaz ou l'élément électrique. **ATTENTION DE NE PAS VOUS BRÛLER.** Si les flammes ne s'éteignent pas immédiatement, **ÉVACUER LES LIEUX ET APPELER LES POMPIERS.**
- b) **NE JAMAIS PRENDRE UNE CASSEROLE EN FLAMMES** - Vous pouvez vous brûler.
- c) **NE JAMAIS UTILISER D'EAU**, encore moins des linges ou des serviettes humides, qui risquent de provoquer une violente explosion de vapeur.
- d) Utiliser **SEULEMENT** un extincteur si:
 1. Vous savez que votre extincteur est de catégorie ABC et que vous savez l'utiliser.
 2. L'incendie est mineur et limité à la zone où il a débuté.
 3. Vous avez fait appel aux pompiers.
 4. Vous pouvez tenter d'éteindre l'incendie tout en vous dirigeant vers une sortie proche.

FONCTIONNEMENT

Toujours laisser les grilles de sécurité et les filtres en place. Sans ces éléments, les ventilateurs en marche pourraient aspirer les cheveux, les doigts et les vêtements amples.

Le fabricant décline toute responsabilité en cas de non-respect des instructions données ici pour l'installation, l'entretien et l'utilisation appropriée du produit. En plus, le fabricant décline toute responsabilité pour les blessures dues à la négligence et la garantie de l'appareil expire automatiquement à cause d'un mauvais entretien.

ATTENTION

Retirer le carton avec soin. Porter des gants pour se protéger contre des arêtes vives.

LISTE DES MATÉRIAUX

Pièces incluses dans votre hotte

- 3 1/4 "x 10" Volet motorisé rectangulaire
- 2 - Filtres à graisse
- Usage et Soins/Manuel d'installation
- Kit du vis de fixation
 - 2 - 0,49 * 5,0 cm vis de montage
 - 4 - 0,50 * 1,9 cm vis de montage
 - 6 - 0,40 * 0,8 cm Vis du volet motorisé rectangulaire
 - 2 - ancrages muraux en plastique

Outils/Matériaux requis

- Serre-fils
- Longueur du conduit métallique adapté à votre installation
- Collier de serrage d'évacuation /ruban adhésif, si nécessaire
- Décharge de traction de 1/2" homologuée UL ou CSA
- Retirer le film protecteur recouvrant le produit, avant de le mettre en service.
- Mèche de forage de 5/64" pour les trous de guidage de l'armoire
- Crayon
- Coupe-fil/Pince à dénuder
- Mètre ruban
- Pistolet à calfeutrer et composé de calfeutrage résistant aux intempéries
- Tournevis à lame plate
- Tournevis Philips
- Scie sauteuse ou scie à guichet
- Lunettes de sécurité
- Gants

Pour les armoires à fonds creux:

- Deux - Larges bandes de remplissage de 2"(5,1 cm). Longueur et épaisseur déterminées par les dimensions de linteau.
- Quatre vis à bois à tête plate ou vis à métaux avec des rondelles et des écrous (pour fixer les bandes de remplissage).

EXIGENCES ÉLECTRIQUES

Observer tous les codes et règlements en vigueur. S'assurer que l'installation électrique est adéquate et en conformité avec le National Electrical Code, ANSI/NFPA 70 (dernière édition), ou Normes CSA C22.1-94, Code canadien de l'électricité, Partie 1 et C22.2 N° 0-M91 (dernière édition) et tous les codes et règlements locaux. Si les codes le permettent et un fil de terre distinct est utilisé, il est recommandé qu'un électricien qualifié détermine que le circuit de mise à la terre est adéquat. Une copie de la norme des codes ci-dessus peut être obtenue à partir de:

National Fire Protection Association

One Batterymarch Park
Quincy, MA 02269

CSA International

8501 East Pleasant Valley Road
Cleveland, OH 44131-5575

- Un circuit électrique à fusibles de 120 volts, 60 Hz., CA seulement, 15 ampères, est nécessaire.
- Si la maison dispose d'un câblage en aluminium, suivre la procédure ci-dessous:

1. Connecter une section de fil de cuivre massif aux conducteurs pigtail.
2. Connecter le câblage en aluminium à la section ajoutée de câble en cuivre, en utilisant des connecteurs et/ou des outils spécialement conçus et homologués UL pour fixer le cuivre à l'aluminium.

Suivre la procédure recommandée par le fabricant du connecteur électrique. Connexion de cuivre/d'aluminium doit être conforme aux codes locaux et aux pratiques de câblage acceptées par l'industrie.

- Les dimensions et les connexions des fils doivent être conformes à la notation de l'appareil, comme indiquée sur le modèle /la plaque signalétique. Le modèle/la plaque signalétique se trouve sur la gauche de la hotte
- Les dimensions de fils doivent être conformes aux exigences du National Electrical Code, ANSI/NFPA 70 (dernière édition), ou aux Normes CSA C22. 1-94, le Canada Electrical Code, Partie 1 et C22.2 N° 0-M91 (dernière édition) et tous les codes et règlements locaux.

EXIGENCES D'EMPLACEMENT

➔ IMPORTANT

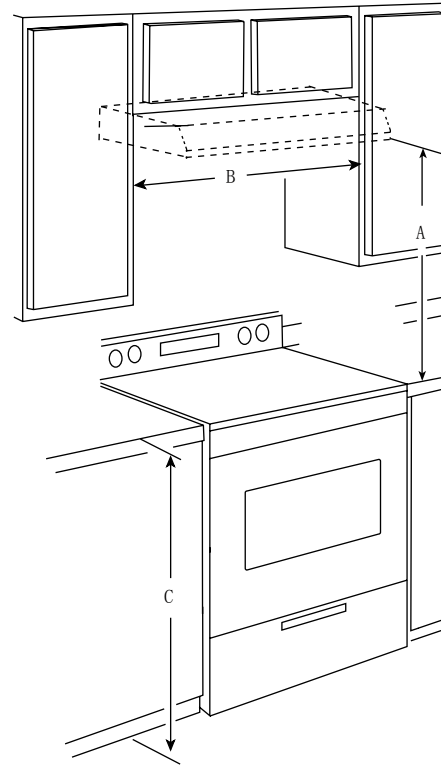
Observer tous les codes et règlements en vigueur.

- Il est de la responsabilité de l'installateur de respecter les distances d'installation.
- L'emplacement de la hotte doit être loin des fortes zones d'action, telles que les fenêtres, les portes et les puissants conduits de chauffage.
- Les dimensions d'ouverture de l'armoire qui sont affichées doivent être utilisées. Ces dimensions offrent un dégagement minimal.
- Prise électrique de terre est nécessaire. Voir la section "Exigences électriques".
- Toutes les ouvertures, dans le plafond et dans le mur où la hotte d'évacuation sera installée, doivent être scellées.

Pour les Installation dans une maison mobile

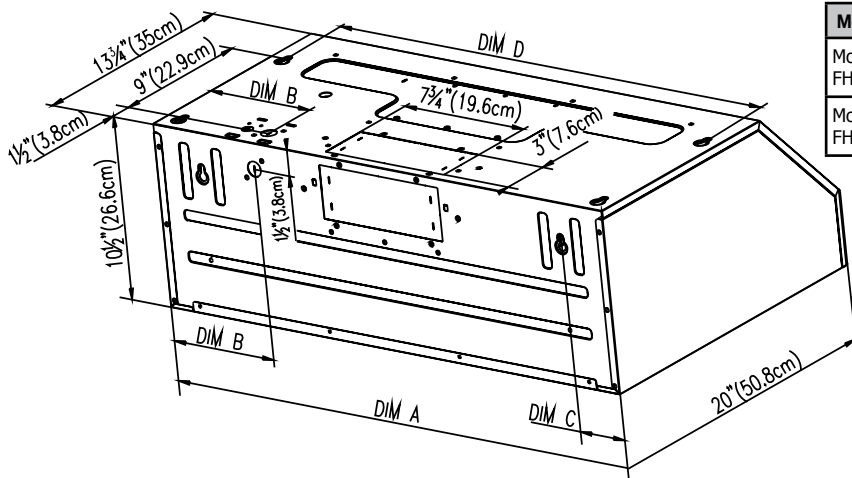
L'installation de cette hotte doit être conforme à la norme Manufactured Home Construction Safety Standards, Titre 24 CFR Partie 328 (jadis Federal Standard for Mobile Home Construction and Safety, Titre 24, HUD, Partie 280) ou lorsque cette norme n'est pas applicable, la norme de 1982 pour Manufactured Home Installation (Manufactured Home Sites, Communities and Setups) ANSI A225.1/NFPA 501A, ou dernière édition, ou aux codes locaux.

Dimensions de l'armoire



- A. 24" (61,0 cm) min. pour les surfaces de cuisson électriques
27" (68,6 cm) min. pour les surfaces de cuisson au gaz
30" (76,2 cm) suggéré au max.
- B. Largeur d'ouverture de l'armoire de 30" (76,2 cm) min. pour les modèles de 30" (76,2 cm) et la largeur d'armoire de 36" (91,4 cm) min. pour les modèles de 36" (91,4 cm).
- C. Hauteur de l'armoire de base de 36" (91,4 cm)

DIMENSIONS DU PRODUIT



Modèle de hotte	Dim A	Dim B	Dim C	Dim D
Modèle de hotte FHC3050RS 30"	29 7/8" (75.8 cm)	6 1/2" (16.7 cm)	3" (7.6cm)	27 3/4" (70.5 cm)
Modèle de hotte FHC3650RS 36"	35 3/8" (89.8 cm)	9 1/4" (23.7 cm)	5 3/4" (14.6 cm)	33 1/4" (84.5 cm)

EXIGENCES CONCERNANT L'ÉVACUATION

- Ne pas évacuer l'air dans le grenier ou tout autre endroit fermé
- Ne pas utiliser un capuchon de mur de type blanchisserie de 4" (10,2 cm).
- Utiliser uniquement un conduit métallique. Un conduit métallique rigide est recommandé. Conduit en plastique ou en feuille de métal n'est pas recommandé.
- La longueur du système d'évacuation et le nombre de coudes doivent être réduits au minimum, afin de fournir des performances efficaces.

Pour le fonctionnement le plus efficace et silencieux:

- Ne pas utiliser plus de trois coudes à 90°.
- S'assurer qu'il ya un minimum de 24" (61 cm) de ventilation droit entre les coudes, si plus de 1 coude sont utilisés.
- Ne pas installer 2 coudes ensembles.
- Utiliser des pinces ou un ruban adhésif pour sceller tous les joints dans le système d'évacuation.
- Le système d'évacuation à la sortie doit avoir un volet de régulation d'air froid.
- Utiliser du calfeutrage pour sceller l'ouverture du mur ou du toit extérieur autour du bouchon.
- Les meilleures performances sont atteintes avec la tuyauterie droite, sans les coudes et en utilisant un tuyau lisse.

Installations en temps froids

Un volet anti-refoulement supplémentaire devrait être installé pour minimiser les reflux d'air froid et une rupture thermique doit être installée pour minimiser la conduction des températures extérieures dans le cadre du système de ventilation. Le volet devrait être sur le côté de l'air froid de la rupture thermique.

La rupture doit être aussi proche que possible de l'endroit où le système de ventilation entre dans la partie chauffée de la maison.

Air de compensation

Les codes locaux de bâtiment peuvent exiger l'utilisation de systèmes d'air de compensation, lors de l'utilisation des systèmes de ventilation plus importants que le CFM spécifié de circulation de l'air. Le CFM spécifié varie d'un endroit à l'autre. Consultez votre professionnel de CVC pour des besoins spécifiques dans votre région.

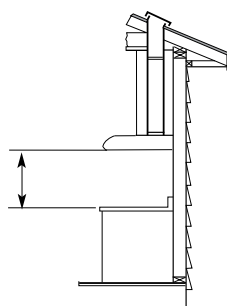
Méthodes d'évacuation

Système d'évacuation peut évacuer de l'air à travers le toit ou le mur. Utiliser 3 1/4 "x 10" (8,3 x 25,4 cm) rectangulaire avec une longueur de conduit maximale de 35 pieds (10,7 m) pour le système d'évacuation.

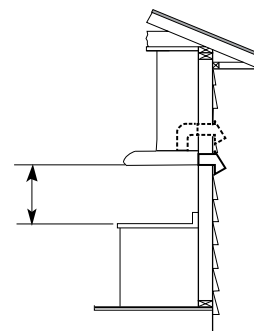
REMARQUE

Un conduit flexible est déconseillé. Un conduit flexible crée à la fois une contre-pression et la turbulence de l'air qui réduisent considérablement la performance.

Évacuation par le toit



Évacuation par le mur



Calcul de la longueur du système d'évacuation

Pour calculer la longueur du système dont vous avez besoin, ajoutez l'équivalente en pieds (mètres) pour chaque pièce d'évacuation utilisée dans le système. Ces directions sont uniquement pour l'installation d'évacuation rectangulaire.

Si vous choisissez d'utiliser un système d'évacuation rond et rigide en métal, le diamètre minimum à utiliser est de 8".

Système d'évacuation rectangulaire de 3/4" x 10" (8,3 cm x 25,4 cm)

Pièce d'évacuation

Coude de 90 °
3 1/4" x 10" (8.3 cm x 25.4 cm)

5 pieds
(1,5 m)



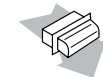
Coude plat
3 1/4" x 10" (8.3 cm x 25.4 cm)

12pieds
(3,7 m)

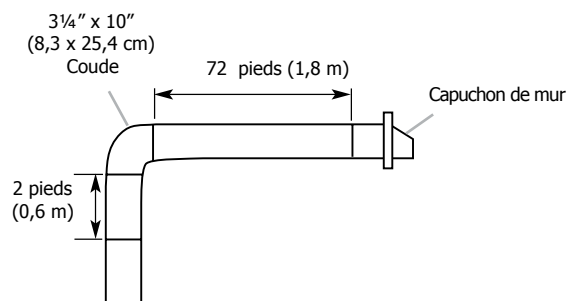


Capuchon de mur
3 1/4" x 10" (8.3 cm x 25.4 cm)

0,0 pieds
(0,00 cm)



Exemple de système d'évacuation



Longueur maximale recommandée = 35 pieds (10,7 m)

Coude de 1 - 90 ° = 5.0 pieds (1,5 m)
8 pi (2,4 m) tout droit = 8.0 pieds (2,4 m)
1 - capuchon de mur = 0,0 pieds (0,0 m)

Longueur de 3 1/4 "x 10" système (8,3 cm x 25,4 cm) = 156 pulgadas (3,9 m)

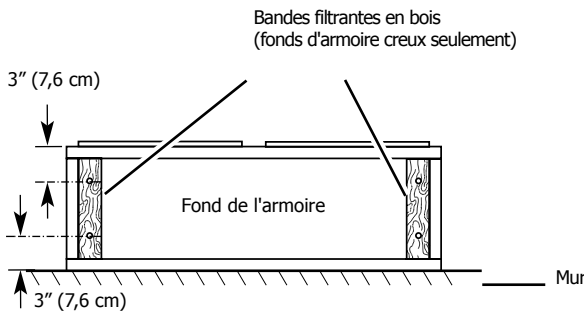
EXIGENCES CONCERNANT L'ÉVACUATION

PRÉPARER L'EMPLACEMENT

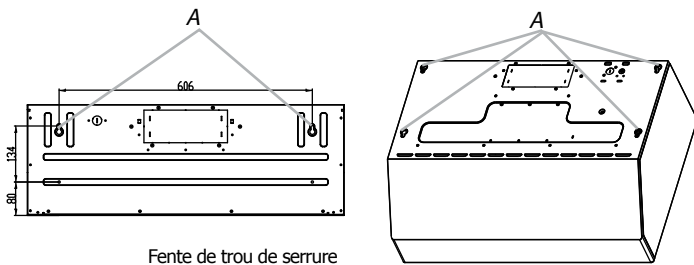
REMARQUE

Avant de faire des découpes, s'assurer qu'il y a un dégagement suffisant dans le plafond, mur ou armoire. Le matériel de montage est fourni pour fixer la hotte à la plupart des types de murs et d'armoires. Cependant, un technicien qualifié doit vérifier la compatibilité des matériaux en conformité avec le type de mur et d'armoire.

1. Débrancher l'alimentation électrique.
2. Sélectionner une surface plane pour l'assemblage de la hotte. Placer la couverture sur cette surface.
3. Soulever la hotte et la mettre à l'envers sur la surface couverte.
4. Si l'armoire a un fond creux, ajouter «deux-2" (5,1 cm) larges bandes de remplissage. Longueur et épaisseur déterminées par les dimensions de linteau. Quatre vis à bois à tête plate ou vis à métaux avec des rondelles et des écrous, pour fixer les bandes de remplissage, dans les emplacements affichés.

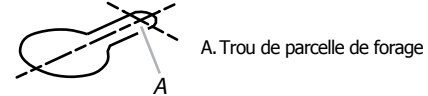


5. Soulever la hotte sous l'armoire et déterminer l'emplacement final en la centrant sous l'armoire. Marquer, sur la face inférieure de l'armoire, l'emplacement des 4 trous de montage des fentes de serrure sur la hotte (Voir dimensions des fentes à la page 6). Marquer les emplacements des trous de vis de montage arrière. Placer la hotte de côté sur une surface couverte.

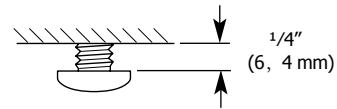


6. Utiliser une mèche de forage de 5/64" et percer 4 trous de guidage comme indiqué pour le support supérieur de la hotte.

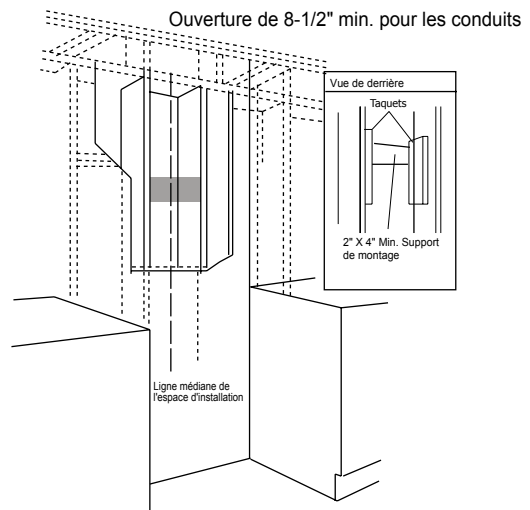
NOTE: Faire des trous de forage sur la zone mince de la fente.



7. Installer les vis de montage 4-0,50 cm x 1,9 cm dans les trous pilotes. Laissez environ 1/4" (6,4 mm) d'espace entre les têtes de vis et l'armoire pour glisser la hotte en place.



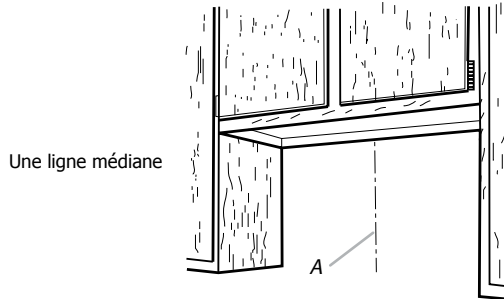
8. Installer le cadrage pour le support arrière de la hotte. Si le placoplâtre est présent, en utilisant les emplacements des trous de vis de montage arrière marqués à l'étape précédente, couper assez de placoplâtre pour exposer 2 montants verticaux au niveau des emplacements des trous de montage arrière. Installer le support horizontal au moins 2" X 4" entre deux poteaux muraux au niveau des emplacements des trous de vis de montage arrière. Le support horizontal doit être aligné avec le côté chaud des poteaux. Utiliser les taquets derrière les deux côtés du support pour fixer aux poteaux muraux. Réinstaller le placoplâtre et retoucher. **IMPORTANT** - Le cadrage doit être capable de supporter 100 livres.



PRÉPARER L'EMPLACEMENT

Déterminer l'emplacement du trou de câblage

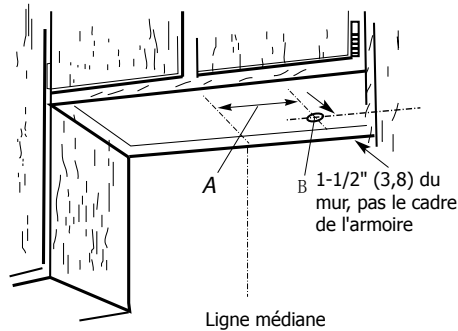
1. Déterminer et marquer clairement une ligne médiane verticale sur le mur et au fond de l'armoire.



Pour câbler par le haut:

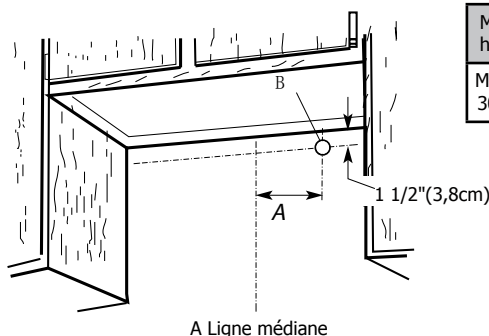
2. Marquer une distance en ligne (A) de la droite de la ligne médiane sur la face inférieure de l'armoire. Marquer le point sur cette ligne, ce qui est de 1 1/2" (3,8 cm) du mur arrière. Percer un trou (B) de 1 1/4" (3,2 cm) de diamètre dans l'armoire au niveau de ce point.

Modèle de hotte	Dim A
Modèle de 30" & 36"	8 ³ / ₈ " (21,3 cm)



Pour câbler à travers le mur:

1. Marquer une distance en ligne (A) de la droite de la ligne médiane sur la face inférieure du mur. Marquer le point sur cette ligne, ce qui est de 1 1/2" (3,8 cm) de la face inférieure de l'armoire. Percer un trou (B) de 1 1/4" (3,2 cm) de diamètre dans le mur arrière au niveau de ce point.



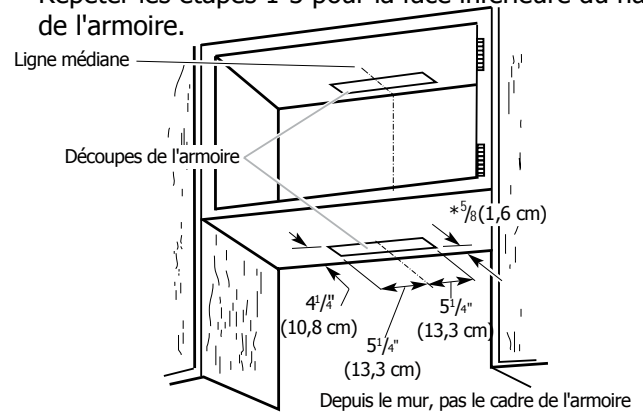
Modèle de hotte	Dim A
Modèle de 30" & 36"	8 ³ / ₈ " (21,3 cm)

Évacuation par le toit

Pour faire une découpe rectangulaire de 4 1/4" x 10 1/2" (10,80 cm x 26,7 cm) sur la face inférieure du haut et du bas de l'armoire:

1. Marquer les lignes 5/8" (1,6 cm) et 4 1/4" (10,80 cm) du mur arrière sur la ligne médiane de la face inférieure de l'armoire.
2. Marquer les lignes 5 1/4" (13,3 cm) à droite et à gauche de la ligne médiane sur la face inférieure de l'armoire.
3. Utiliser la scie sauteuse ou scie à guichet pour effectuer une ouverture rectangulaire pour
4. l'évacuation.

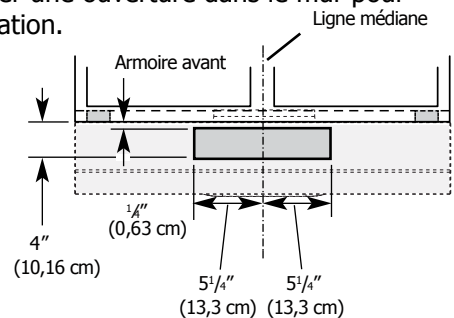
Répéter les étapes 1-3 pour la face inférieure du haut de l'armoire.



Évacuation par le mur

Pour faire un rectangle de 4 1/4" x 10 1/2" (10,8 cm x 26,7 cm) dans le mur:

1. Faire 2 lignes en mesurant 1/4" (0,63 cm) and 4" (10,16 cm) vers le bas à partir de la face inférieure de l'armoire et marquer sur la ligne médiane sur le mur arrière.
2. Marquer les lignes 5 1/4" (13,3 cm) à droite et à gauche de la ligne médiane sur le mur.
3. Utiliser la scie sauteuse ou scie à guichet pour effectuer une ouverture dans le mur pour l'évacuation.



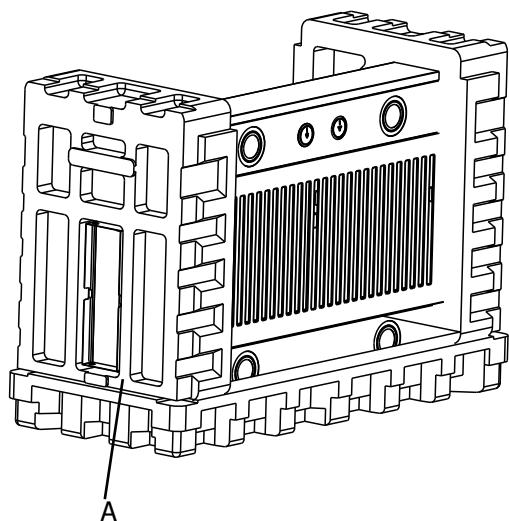
PRÉPARER L'EMPLACEMENT

Installer le système d'évacuation

1. Installer l'évacuation à travers l'ouverture d'évacuation dans l'armoire supérieure ou le mur. Système d'évacuation complet selon le procédé d'évacuation sélectionné. Voir la section «Exigences concernant l'évacuation».
2. Utiliser du calfeutrage pour sceller l'ouverture du mur ou du toit extérieur autour du bouchon.

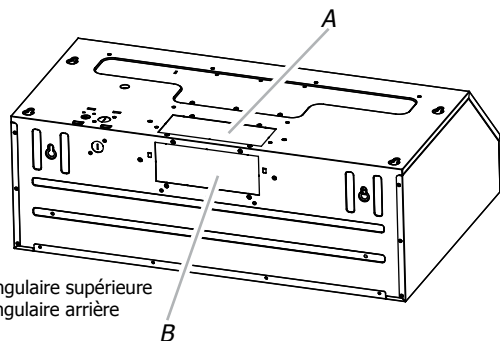
INSTALLER LA HOTTE (version à Conduit)

1. Retirer le volet motorisé rectangulaire de 3¼" x 10" (8,3 x 25,4 cm) de l'emballage.



A. Volet motorisé rectangulaire de 3¼" X 10" (8,3 x 25,4 cm)

- Pour les installations de toit, enlever l'ouverture d'évacuation rectangulaire supérieure A. Pour les installations murales, retirer l'ouverture d'évacuation rectangulaire arrière B.

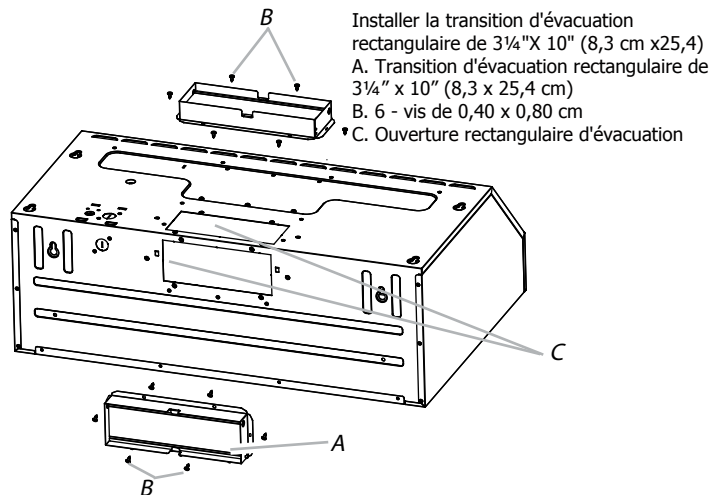


A. Ouverture rectangulaire supérieure
B. Ouverture rectangulaire arrière

Installation du volet motorisé

Installer le volet motorisé de 3¼" x 10" (8,3 x 25,4 cm).

Attacher à la hotte en utilisant les vis indiquées fournies dans le kit de matériel.



- Si un volet motorisé est installé avec un capuchon de mur avec le volet, vérifier qui n'interfèrent pas les uns avec les autres. Retirer le clapet du volet motorisé s'ils interfèrent.

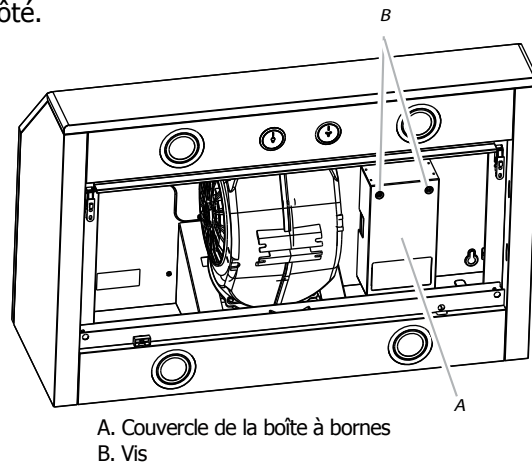
Installation du câble d'alimentation électrique

1. Pour installations directes des fils, faire passer le câble d'alimentation de la maison selon le National Electric Code ou normes de la CSA et des codes et règlements locaux.

REMARQUE

Ne pas rebrancher l'alimentation jusqu'à ce que l'installation soit terminée.
Avant de commencer l'installation, retirer la grille d'évacuation et les filtres à graisse.

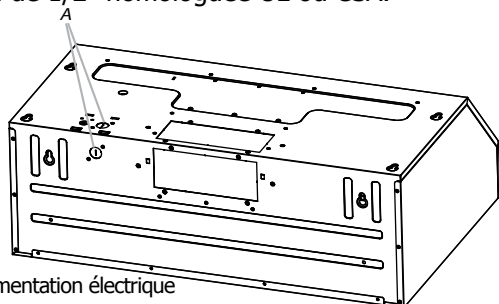
2. Retirer les vis du couvercle de la boîte à bornes. Retirer le couvercle de la boîte à bornes et mettre de côté.



A. Couvercle de la boîte à bornes
B. Vis

INSTALLATION DE LA HOTTE

3. Retirer l'ouverture d'alimentation par le haut ou l'arrière de la hotte d'évacuation (en fonction de l'emplacement entrant du câble d'alimentation électrique de votre maison) et installer une décharge de traction de 1/2" homologuée UL ou CSA.



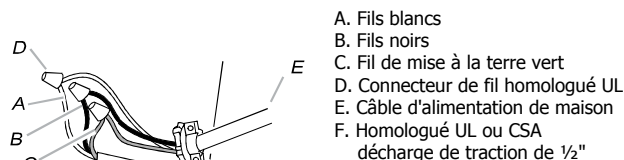
4. Soulever la hotte en position finale. Faire passer suffisamment de fil électrique à travers la décharge de traction de 1/2" homologuée UL ou CSA, pour faire des connexions dans la boîte à bornes. Serrer les vis de la décharge de traction.
5. Positionner la hotte de sorte que la grande extrémité des fentes de serrure soit sur les vis de montage. Ensuite, pousser la hotte vers le mur, afin que les vis soient dans le col des fentes. Serrer les vis de montage, s'assurant que les vis sont dans le col étroit des fentes.
6. Ajouter les 2 vis de montage arrières de 0,49*5,0 cm dans le col étroit des fentes de serrure arrière. Ces dernières devraient se visser dans le support horizontal qui a été placé entre les deux poteaux du mur dans la section PRÉPARER L'EMPLACEMENT à la page 8.
7. Connecter le système d'évacuation à la hotte. Sceller les joints avec les colliers de serrage d'évacuation ou le ruban adhésif pour rendre sûr et étanche à l'air.
8. Vérifier que les volets anti-refoulement fonctionnent correctement.

EFFECTUER UN BRANCHEMENT ÉLECTRIQUE

AVERTISSEMENT

Risque d'électrocution
Couper l'alimentation électrique avant l'entretien.
Remplacer toutes les pièces et panneaux avant de faire fonctionner.
Ne pas le faire peut entraîner la mort ou un choc électrique.

1. Débrancher l'alimentation électrique.



2. Utiliser les connecteurs de fils homologués UL et connecter les fils blancs (A) conjointement.
3. Utiliser les connecteurs de fils homologués UL et connecter les fils noirs (B) ensemble.

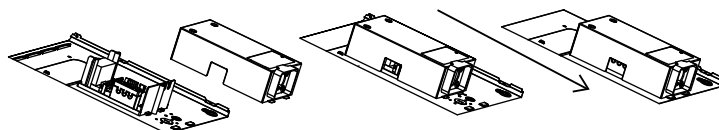
AVERTISSEMENT

Risque d'incendie

Mettre à terre le ventilateur. Utiliser du fil de cuivre.

Brancher le fil de mise à la terre au fil vert dans boîte à bornes. Ne pas le faire peut entraîner la mort, un incendie ou un choc électrique.

4. Brancher le fil de mise à la terre vert (ou nu) depuis l'alimentation au fil vert dans le bornier à bornes.
5. Installer le couvercle de la boîte à bornes.



6. Reconnecter l'alimentation électrique.

Installation complète

1. Installer les filtres à graisse. Voir la section "Utilisation de la hotte".
2. Vérifier le fonctionnement du ventilateur et de la lumière de la hotte. Voir la section "Utilisation de la hotte".

Si la hotte ne fonctionne pas, vérifier si un disjoncteur a sauté ou un fusible est grillé. Couper l'alimentation et vérifier les branchements de câblage.

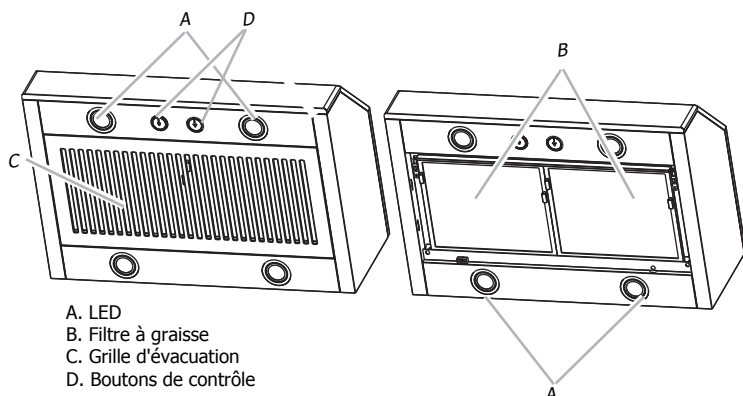
REMARQUE

Pour obtenir l'utilisation la plus efficace de votre nouvelle hotte, lire la section "Utilisation de la hotte".

UTILISATION DE LA HOTTE

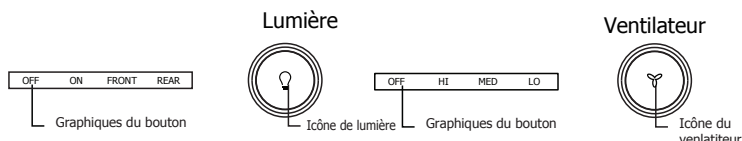
UTILISATION DE LA HOTTE

La hotte est conçue pour éliminer la fumée et les vapeurs de cuisson de la zone de cuisson. Pour de meilleurs résultats, allumer la hotte avant la cuisson et lui permettre de fonctionner pendant plusieurs minutes après que la cuisson soit éliminée pour enlever toute fumée de la cuisinière.



Commandes de la hotte

Les commandes de la hotte sont situées à la partie avant inférieure de l'appareil.

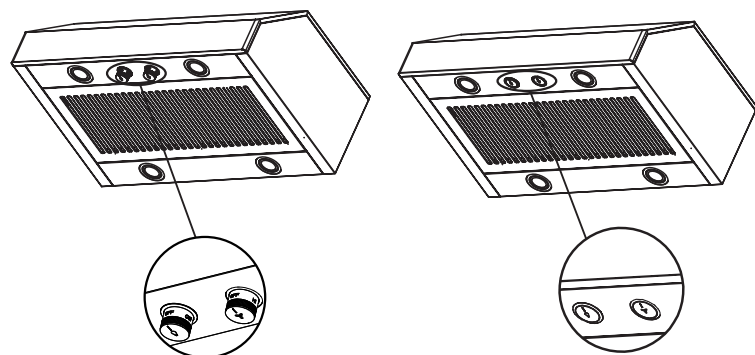


Utilisation de la lumière

Pousser le bouton pour libérer et puis le tourner dans le sens antihoraire pour allumer/Devant/Arrière/Arrêt.

Fonctionnement du ventilateur

Pousser le bouton pour libérer et puis le tourner dans le sens horaire pour les vitesses de ventilateur de Hi/Med/Lo/Off.



Nettoyage

⚠ AVERTISSEMENT

Pour réduire le risque d'incendie ou de choc électrique, débrancher du secteur avant de le nettoyer.

➡ IMPORTANT

Nettoyer fréquemment les filtres de la hotte et de graisse selon les instructions suivantes. Remplacer le filtre à graisse avant de faire fonctionner la hotte.

➡ IMPORTANT

Surfaces extérieures

Ne pas utiliser de tampons à récurer savonneux, de nettoyeurs abrasifs, crème à polir pour table de cuisson, de la laine en acier, des débarbouillettes ou des serviettes en papier granuleuses.

Pour éviter d'endommager l'acier inoxydable, ne pas utiliser de produits nettoyants qui contiennent du chlore.

Méthode de nettoyage:

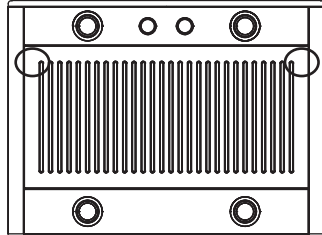
RÉSISTANT AUX FROTTEMENTS™ ACIER INOXYDABLE
Votre hotte a une finition en acier inoxydable et résistante aux frottements™. Nettoyer l'inox avec de l'eau chaude savonneuse à l'aide d'une éponge ou d'un chiffon propre. Rincer à l'eau propre et sécher avec un chiffon doux et propre. NE PAS utiliser de produits de nettoyage comme les nettoyeurs en acier inoxydable ou d'autres types de produits nettoyants contenant des abrasifs, des chlorures, du chlore ou de l'ammoniaque. Il est recommandé d'utiliser un savon pour vaisselle doux et de l'eau ou une solution 50/50 d'eau et de vinaigre.

ENTRETIEN DE LA HOTTE

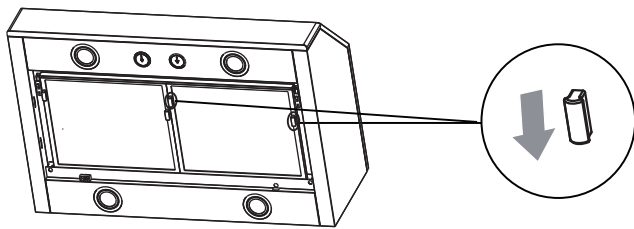
Pour nettoyer ou remplacer le filtre à graisse:

1. Pousser à la zone indiquée pour ouvrir la grille d'évacuation. La grille d'évacuation pivotera vers le bas pour l'accès aux filtres à graisse.

POUSSER POUR OUVRIR →



2. Pour retirer ou installer les filtres à graisse, pousser l'onglet vers l'arrière de l'appareil.



3. Pour nettoyer le filtre à graisse, faire tremper les filtres dans l'eau chaude avec un détergent doux. Bien rincer et secouer pour sécher.

REMARQUE

Ne pas utiliser d'ammoniaque. L'aluminium sur le filtre à graisse se corrodera et assombrira.

REMARQUE

Le filtre à graisse est lavable au lave-vaisselle. Pour éviter des dommages du filtre à graisse pendant le nettoyage, placer le filtre dans le panier supérieur du lave-vaisselle, pour le nettoyage.

AVERTISSEMENT

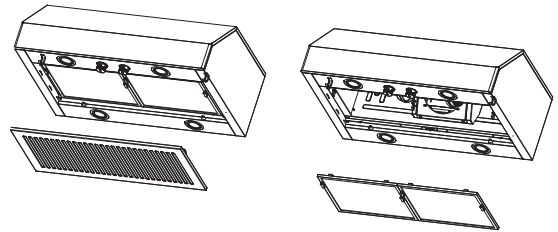
Risque d'électrocution

Couper l'alimentation électrique avant l'entretien. Remplacer toutes les pièces et panneaux avant de faire fonctionner.

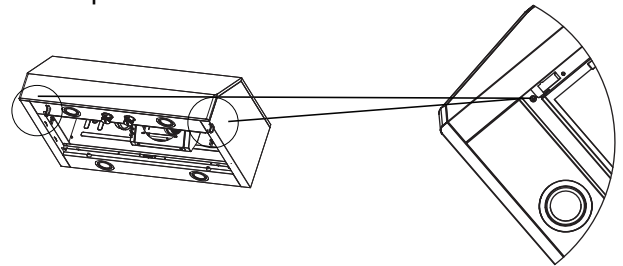
Ne pas le faire peut entraîner la mort ou un choc électrique.

Remplacement des voyants LED avant

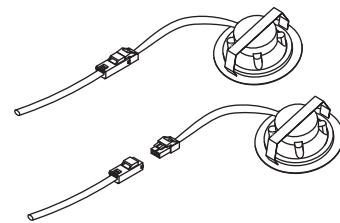
1. Retirer la grille d'évacuation et les filtres à graisse.



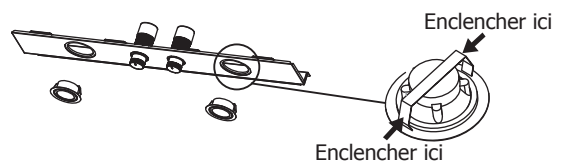
2. Retirer les vis sur le support avant et faire glisser le panneau arrière.



3. Débrancher le câblage des voyants LED avant



4. Enclencher les clips de fixation de la lampe LED et pousser vers le bas les voyants LED comme indiqué ci-dessous



5. Remplacer par de nouveaux voyants LED, avec comme Numéro de pièce 5304503879 et ré-installer le support avant.

ENTRETIEN DE LA HOTTE

AVERTISSEMENT

Risque d'électrocution

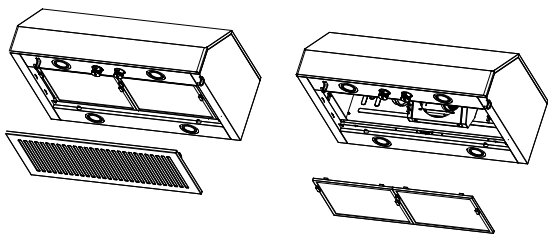
Couper l'alimentation électrique avant l'entretien.

Remplacer toutes les pièces et panneaux avant de faire fonctionner.

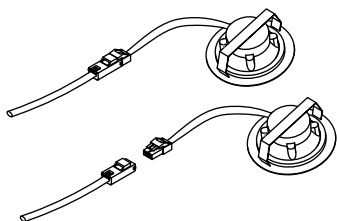
Ne pas le faire peut entraîner la mort ou un choc électrique.

Remplacement des voyants LED arrière

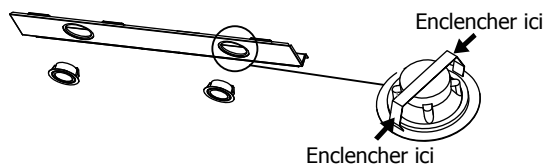
1. Retirer la grille d'évacuation et les filtres à graisse.



2. Débrancher le câblage de la lampe LED arrière.



3. Enclencher les clips de fixation de la lampe LED et pousser vers le bas les voyants LED comme indiqué ci-dessous



4. Enclencher les clips de fixation de la lampe LED et pousser vers le bas les voyants LED comme indiqué ci-dessous

Problème	Causes possibles	Solutions
Après l'installation, l'appareil ne fonctionne pas.	<ol style="list-style-type: none"> 1. La ligne d'alimentation et le connecteur du câble ne sont pas correctement connectés. 2. Les fils des interrupteurs sont déconnectés ou desserrés. 	<ol style="list-style-type: none"> 1. Vérifier les connexions électriques. 2. S'assurer que les fils sur les commutateurs sont correctement connectés.
Les voyants fonctionnent, mais ce n'est pas le cas du moteur	<ol style="list-style-type: none"> 1. Le moteur est défectueux, blocage possible. 2. Le fil du moteur n'est pas connecté. 	<ol style="list-style-type: none"> 1. Changer le moteur. 2. S'assurer que le fil du moteur est branché sur le connecteur de la boîte à bornes.
L'appareil est en train de vibrer.	<ol style="list-style-type: none"> 1. Le moteur n'est pas sécurisé en place. 2. Roue soufflante endommagée. 3. La hotte n'est fixée en place. 	<ol style="list-style-type: none"> 1. Visser le moteur en place. 2. Modifier le ventilateur. 3. Vérifier l'installation de la hotte.
Le moteur fonctionne, mais pas les voyants.	<ol style="list-style-type: none"> 1. Lampe défectueuse. 2. La lampe est desserrée. 3. Les fils sur l'interrupteur d'éclairage sont desserrés. 	<ol style="list-style-type: none"> 1. Changer la lampe. 2. S'assurer que la lampe est correctement installée. 3. S'assurer que les fils sur interrupteur d'éclairage sont correctement connectés.
La hotte n'évacue pas correctement de l'air.	<ol style="list-style-type: none"> 1. La hotte peut être suspendue au-dessus de la table de cuisson. 2. Le vent provenant d'une fenêtre ou d'une porte ouverte avoisinante nuit à la ventilation de la hotte. 3. Blocage dans l'ouverture du conduit ou des conduits. 4. La direction de l'ouverture du conduit est contre le vent. 5. Utilisation de la mauvaise taille de canalisation. 	<ol style="list-style-type: none"> 1. Vérifier les instructions d'installation. 2. Fermer toutes les fenêtres et portes pour éliminer le flux de vent externe. 3. Retirer tout le blocage des conduits ou de l'ouverture du conduit. 4. Régler le sens de l'ouverture du conduit. 5. Modifier la canalisation pour corriger la taille.
Grille d'évacuation ou filtre à graisse est en train de vibrer.	<ol style="list-style-type: none"> 1. La grille d'évacuation ou le filtre à graisse sont desserrés. 	<ol style="list-style-type: none"> 1. S'assurer que la grille d'évacuation ou le filtre à graisse sont correctement installés.

Garantie

Votre appareil est couvert par une garantie limitée d'un an. Pendant un an à partir de votre date d'achat initiale, Electrolux paiera tous les frais de réparation ou de remplacement des pièces de cet appareil qui présente un défaut de matériaux ou de fabrication, si cet appareil est installé, utilisé et entretenu conformément aux instructions fournies.

Exclusions Cette garantie ne couvre pas ce qui suit:

1. Les produits dont les numéros de série d'origine ont été enlevés, modifiés ou ne peuvent pas être déterminés.
2. Les produits qui ont été transférés de leur propriétaire initial à une autre partie ou en dehors des USA ou du Canada.
3. Rouille à l'intérieur ou à l'extérieur de l'appareil.
4. Les produits vendus «tels quels» ne sont pas couverts par cette garantie.
5. Perte d'aliments due à une défaillance du réfrigérateur ou du congélateur.
6. Les produits utilisés dans un contexte commercial.
7. Les appels au service qui ne concernent pas un dysfonctionnement ou des défauts de matériaux ou de fabrication ou pour les appareils ne sont pas en usage domestique ou utilisée autrement qu'en conformité avec les instructions fournies.
8. Les appels au service pour corriger l'installation de votre appareil ou pour vous indiquer comment utiliser votre appareil.
9. Les frais qui rendent l'appareil accessible pour une réparation, par exemple enlever les garnitures, les armoires, les étagères, etc., qui ne font pas partie de l'appareil quand il est expédié de l'usine.
10. Les appels de service pour réparer ou remplacer les ampoules électriques, les filtres à air, les filtres à eau, d'autres consommables ou des boutons, poignées ou autres pièces esthétiques.
11. Les frais supplémentaires comprenant, mais sans s'y limiter, tout appel de service après les heures, les week-end, ou les vacances, les péages, les frais de voyage de ferry, ou frais de kilométrage pour les appels de service dans les régions éloignées, y compris l'état de l'Alaska.
12. Les dommages causés à la finition de l'appareil ou à la maison, pendant l'installation, y compris mais sans s'y limiter, aux planchers, armoires, aux murs, etc.
13. Les dommages causés par: des réparations faites par des techniciens non autorisés; utilisation de pièces autres que des pièces de Electrolux authentiques ou des pièces obtenues auprès de personnes autres que les sociétés de services autorisés; ou les causes externes comme l'abus, le mauvais usage, l'alimentation électrique inadéquate, les accidents, les incendies, ou actes de Dieu.

CLAUSE DE NON-RESPONSABILITE DES GARANTIES IMPLICITES; RESTRICTION DES RECOURS

LE SEUL ET UNIQUE RECOURS DU CLIENT EN VERTU DE CETTE GARANTIE LIMITÉE EST LA RÉPARATION DU PRODUIT OU LE REMPLACEMENT COMME PRÉVU DANS LES PRÉSENTES. LES CRÉANCES SUR LA BASE DE GARANTIE IMPLICITE, Y COMPRIS LES GARANTIES DE QUALITÉ MARCHANDE OU D'ADAPTATION À UN USAGE PARTICULIER, SONT LIMITÉES À UN AN OU À LA PLUS COURTE PÉRIODE AUTORISÉE PAR LA LOI, MAIS PAS MOINS D'UN AN. ELECTROLUX NE SERA PAS RESPONSABLE DES DOMMAGES INDIRECTS OU ACCESSOIRES COMME LES DOMMAGES DE MATÉRIELS ET LES DÉPENSES ACCESSOIRES RÉSULTANT D'UNE VIOLATION DE CETTE GARANTIE ÉCRITE OU DE TOUTE GARANTIE IMPLICITE. CERTAINS ÉTATS ET PROVINCES NE PERMETTENT PAS L'EXCLUSION OU LA LIMITATION DES DOMMAGES ACCESSOIRES OU INDIRECTS, OU LES LIMITATIONS DE LA DURÉE DE GARANTIE IMPLICITE, CES RESTRICTIONS OU EXCLUSIONS PEUVENT DONC NE PAS VOUS AFFECTER. CETTE GARANTIE ÉCRITE VOUS CONFÈRE DES DROITS SPÉCIFIQUES. VOUS POUVEZ AUSSI DISPOSER D'AUTRES DROITS QUI VARIENT D'UN ÉTAT À L'AUTRE.

Si vous avez besoin de service Conservez votre facture, bordereau de livraison ou toute autre preuve de paiement pour établir la période de garantie, si une réparation venait à être requise. Si le service est effectué, il est dans votre intérêt d'obtenir et de conserver tous les reçus. Le service sous garantie doit être obtenu en communiquant avec Electrolux aux adresses ou numéros de téléphone ci-dessous.

Cette garantie est valable uniquement aux États-Unis et au Canada. Aux États-Unis, votre appareil est garanti par Electrolux Major Appliances North America, une division de Electrolux Home Products, Inc. Au Canada, votre appareil est garanti par x Electrolux Canada Corp. Electrolux n'autorise aucune personne à modifier ou à ajouter aux obligations en vertu de cette garantie. Les obligations pour le service et les pièces sous cette garantie doivent être remplies par Electrolux ou par une compagnie de service autorisée. Les caractéristiques et spécifications du produit, telles que décrites ou illustrées, sont sujettes à une modification sans préavis.

États-Unis
1.800.944.9044
Electrolux Home Products, Inc.
10200 David Taylor Drive
Charlotte, NC 28262

 **Electrolux**

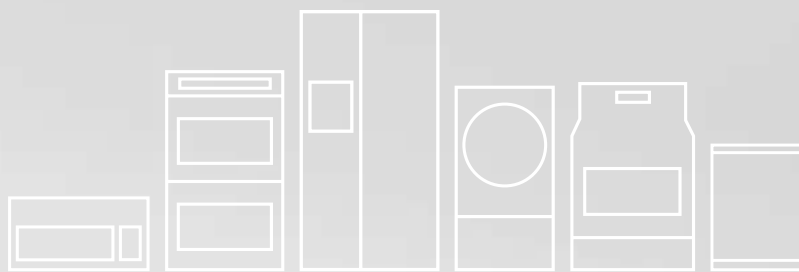
Canada
1.800.265.8352
Electrolux Canada Corp.
5855 Terry Fox Way
Mississauga, Ontario, Canada
L5V 3E4

FRIGIDAIRE

Todo sobre la

Instalación, Uso y Cuidado

de su Campana de Cocina



Instrucciones seguridad importantes.....	3
Lista de materiales.....	5
Requerimientos eléctricos.....	5
Requerimientos de ubicación	6
Dimensiones del producto.....	6
Requerimientos de ventilación.....	7
Preparación de la ubicación	8

Instalación de la campana de cocina (versión ducto)..	10
Conexión eléctrica	11
Uso de la campana de cocina	12
Cuidado de la campana de cocina	13
Solución de problemas	15
Información de la garantía	16

INTRODUCCIÓN

**Si tiene preguntas
llame al:**

1-800-374-4432

(Estados Unidos)

1-800-265-8352

(Canadá)

Please attach sales receipt
here for future reference.

¡Felicitaciones por su compra de un nuevo horno microondas! En **Electrolux Home Products**, nos sentimos muy orgullosos de nuestro producto y estamos 100% comprometidos a proveerle con nuestro mejor servicio. Su satisfacción es nuestra prioridad número uno.

Sabemos que usted disfrutará de su nuevo horno microondas y le agradecemos por escoger nuestro producto. Esperamos nos considere para compras futuras.

LEA Y GUARDE ESTAS INSTRUCCIONES CUIDADOSAMENTE

Este manual de uso y cuidado provee instrucciones de operación y funcionamiento específicas para su modelo de microondas. Utilice su horno microondas únicamente como indicado en este manual. No se pretende que estas instrucciones cubran todas las situaciones y condiciones posibles que pueden ocurrir. Se debe aplicar sentido común y precaución al momento de instalar, operar y dar mantenimiento a cualquier electrodoméstico.

Registre su modelo y números de serie más abajo para referencia futura.

Número de modelo: _____

Número de serie: _____

Fecha de compra: _____

¿NECESITA AYUDA?

Visite el sitio de Frigidaire en Internet en: <http://www.frigidaire.com>

Antes de que requiera llamar por servicio, hay algunas cosas que usted puede hacer para ayudarnos a servirle mejor

Lea este manual.

El mismo contiene instrucciones para ayudarle a utilizar y dar mantenimiento a su horno microondas de la manera apropiada.

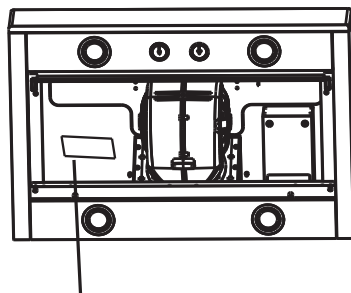
Si usted ha recibido un horno microondas dañado... contáctese con el distribuidor (o fabricante) del cual adquirió su horno microondas.

Ahorre tiempo y dinero.

Revise la sección "Solución de problemas". Esta sección le ayudará a resolver problemas comunes que podrían ocurrir. Si efectivamente necesita servicio técnico, puede relajarse al saber que la ayuda solo se encuentra a una llamada telefónica de distancia. Una lista de números gratuitos de servicio al cliente se incluye en la parte de atrás de este manual. O llame a los servicios de atención al cliente de Frigidaire al 1-800-374-4432, de lunes a sábado entre 8 am y 8 pm Tiempo estándar del Este.

Ubicación de la placa con el número de serie

Doble hacia abajo la rejilla de ventilación y retire los filtros de grasa. Consulte la página 13 para obtener información adicional.



La placa del número de serie se ubica en la parte interior izquierda de la campana de cocina.

INSTRUCCIONES DE SEGURIDAD IMPORTANTES

Lea todas las instrucciones antes de usar este aparato.

Guarde estas instrucciones para referencias futuras.

Aprobado para dispositivos residenciales.
Sólo para uso doméstico.

No intente instalar o hacer funcionar su dispositivo hasta que haya leído las recomendaciones de seguridad de este manual. Las sugerencias de seguridad están marcadas con la palabra ADVERTENCIA o PRECAUCIÓN de acuerdo al tipo de riesgo.

! Este es el símbolo de alerta de seguridad. Se usa para alertarlo sobre posibles peligros que pueden provocar lesiones personales. Cumpla con lo que dicen estos mensajes para evitar posibles lesiones o incluso la muerte.

! ADVERTENCIA

Este símbolo alerta sobre situaciones que podrían representar un serio peligro para su cuerpo, provocarle la muerte o dañar su propiedad.

! PRECAUCIÓN

La palabra PRECAUCIÓN indica la presencia de situaciones potencialmente peligrosas que deben ser evitadas para no provocar lesiones personales o falla en el equipamiento.

➔ IMPORTANTE

El mensaje IMPORTANTE hace referencia a instalación, operación, mantenimiento o información valiosa que no está relacionada con peligros.

INSTRUCCIONES DE SEGURIDAD IMPORTANTES

! PRECAUCIÓN

SOLO PARA VENTILACIÓN GENERAL. NO UTILICE PARA VENTILAR MATERIALES O VAPORES PELIGROSOS O EXPLOSIVOS.

! ADVERTENCIA

PARA REDUCIR RIESGOS DE INCENDIO, DESCARGAS ELÉCTRICAS, O LESIONES CUMPLA CON LAS SIGUIENTES RECOMENDACIONES:

- Use esta unidad sólo de la forma prevista por el fabricante. Si tiene alguna consulta, contacte al fabricante.
- Antes de realizar alguna operación de servicio técnico o limpiar la unidad, apáguela desde el panel de servicio y bloquéelo para evitar que se encienda en forma accidental. Cuando la desconexión del servicio impida bloquearlo, asegure un dispositivo de advertencia prominente, por ejemplo, una etiqueta, en el panel de servicio.
- La instalación y el cableado eléctrico debe ser realizado por personas calificadas y en conformidad con todos los códigos y normativas aplicables, incluyendo aquellas relacionadas con construcciones a prueba de fuego.
- Se necesita suficiente aire para una combustión adecuada y un equipo quemador para evitar que la corriente lo empuje hacia atrás. Siga las directrices y normativas de seguridad de los fabricantes de equipos de calefacción, por ejemplo, aquellas publicadas por la Asociación Nacional de Protección contra el Fuego (NFPA, por sus siglas en inglés), la Sociedad Americana de Ingenieros del Calor, Frio y Aire (ASHRAE, por sus siglas en inglés), y las normas locales.
- Al cortar o taladrar una pared o techo, no dañe cableados u otros dispositivos que puedan estar ocultos.
- Los sistemas de ventilación siempre deben terminar con una salida al exterior.

! PRECAUCIÓN

Para reducir el riesgo de incendio y ventilar adecuadamente el aire, no termine la conexión del sistema en paredes, techos, áticos, entresuelos, o garajes.

! ADVERTENCIA

PARA REDUCIR EL RIESGO DE INCENDIO, SÓLO USE CONDUCTOS DE METAL.

Instale la campana de acuerdo con todos los requerimientos especificados.

INSTRUCCIONES DE SEGURIDAD IMPORTANTES

ADVERTENCIA

Para reducir el riesgo de incendio o golpe eléctrico, no use esta campana de cocina con ningún dispositivo de control de velocidad externo.

ADVERTENCIA

PARA REDUCIR EL RIESGO DE INCENDIO POR GRASA EN LA CAMPANA

- a) Nunca deje utensilios sobre la superficie a altas temperaturas. Los derrames de elementos hirviendo provocan humo y los derrames de grasa podrían encenderse. Caliente aceites lentamente o temperaturas bajas o medias.
- b) Siempre encienda la campana al cocinar a temperaturas altas o cuando flambee comidas (por ejemplo, Crepes Suzette, Cerezas Jubilee, Carne a la pimienta)
- c) Limpie los ventiladores frecuentemente. La grasa no se debe acumular en el ventilador o en el filtro.
- d) Use sartenes adecuados. Siempre utilice utensilios de cocina de tamaño adecuado sobre la superficie de cocción.

ADVERTENCIA

PARA REDUCIR EL RIESGO DE LESIONES A PERSONAS, EN CASO DE QUE LA CAMPANA SE INCENDIE POR EXCESO DE GRASA, HAGA LO SIGUIENTE:

- a) **AHOGUE LAS LLAMAS** con una tapa hermética, una lámina para hornear galletas, u otra bandeja de metal, luego apague el quemador a gas o eléctrico. **EVITE QUEMADURAS.** Si las llamas no se apagan de inmediato, **EVACUE Y LLAME A LOS BOMBEROS.**
- b) **NUNCA TOME UN SARTEN EN LLAMAS**, podría resultar con quemaduras.
- c) **NO USE AGUA**, incluyendo paños de platos o toallas mojadas, podría provocar una explosión de vapor violenta.
- d) **Use un extinguidor SOLO si:**
 1. Si posee un extinguidor clase ABC y sabe cómo utilizarlo.
 2. El fuego es pequeño y está en un área contenida.
 3. Está llamando a los bomberos.
 4. Puede combatir el fuego con una salida a sus espaldas.

FUNCIONAMIENTO

Siempre deje las rejillas de seguridad y los filtros en su lugar. Sin estos componentes los ventiladores podrían enredarse en pelo, dedos o ropa suelta. El fabricante no se hará responsable de los problemas que se produzcan por no cumplir con las instrucciones proporcionadas aquí sobre la instalación, mantenimiento o uso adecuado del producto. El fabricante además no se hace responsable por las lesiones provocadas por negligencias, y la garantía de la unidad automáticamente expirará debido a un mantenimiento inadecuado.

PRECAUCIÓN

Retire la caja con cuidado. Use guantes para protegerse de los bordes afilados.

LISTA DE MATERIALES

Piezas incluidas en su campana de cocina

- Amortiguador de ventilación rectangular de 3 1/4" x 10"
- 2 Filtros de grasa
- Manual de Uso y Cuidado / Instalación
- Juego de tornillos de montaje
 - 2 Tornillos de montaje de 0,49 * 5,0 cm
 - 4 Tornillos de montaje de 0,50 * 1,9 cm
 - 6 Tornillos del amortiguador de ventilación rectangular de 0,40 * 0,8 cm
 - 2 Anclajes plásticos de pared

Herramientas/Materiales requeridos

- Tuercas para cable
- Ducto de metal del largo necesario para adecuarse a la instalación
- Grapas de ventilación/cinta para ductos según se requiera
- Liberador de tensión de 1/2" certificado por UL o aprobado por CSA
- Retirar la capa protectora que cubre el producto antes de ponerlo en funcionamiento.
- Broca de 5/64" para los agujeros del gabinete
- Lápiz
- Cortador de cable
- Cinta para medir
- Pistola para calafateo y masilla a prueba de agua
- Destornillador plano
- Destornillador en cruz
- Sierra o sierra de punta
- Guantes

Para gabinetes con bases de bajo relieve

- Dos tiras de relleno – 2" (5,1 cm) El largo y el grosor se determinan por las dimensiones del relieve.
- Cuatro tornillos de madera de cabeza plana o tornillos de máquina con arandelas y tuercas (para adjuntar las tiras).

REQUERIMIENTOS ELÉCTRICOS

Cumpla con todos los códigos y ordenanzas locales. Asegúrese de que la instalación eléctrica es adecuada y cumple con el Código Eléctrico Nacional, ANSI/NFPA 70 (última edición), o los Estándares CSA C22.1-94, el Código Eléctrico Canadiense, Parte 1 y C22.2 No. 0-M91 (última edición) y todos los códigos y ordenanzas locales. Si los códigos lo permiten y se utiliza un cable de tierra por separado, se recomienda que un eléctrico calificado determine que el camino de la conexión a tierra es adecuado.

Se puede obtener una copia de las normativas desde:

National Fire Protection Association

One Batterymarch Park
Quincy, MA 02269

CSA International

8501 East Pleasant Valley Road
Cleveland, OH 44131-5575

- Se requiere de un circuito eléctrico con fusible de 120 voltios, 60Hz, sólo CA, 15-amp.
 - Si la casa posee un cableado de aluminio, siga las siguientes instrucciones:
 1. Conecte una sección de cable de cobre sólido a los acoples flexibles.
 2. Conecte los cables de aluminio a la sección agregada de cable de cobre usando conectores especiales y/o las herramientas diseñadas y certificadas por UL para unir cobre al aluminio.
- Siga el procedimiento recomendado por el fabricante del conector eléctrico. La conexión aluminio/cobre debe realizarse en conformidad con la clasificación eléctrica del dispositivo, tal y como se especifica en la placa de clasificación de modelo/serial.
- Los tamaños de los cables y las conexión deben hacerse en conformidad con la clasificación del dispositivo, tal y como se especifica en la placa de clasificación de modelo/serial. La placa de modelo/serial se ubica en el lado izquierdo de la campana de cocina.
 - Los tamaños de los cables deben cumplir los requisitos del Código Eléctrico Nacional, ANSI/NFPA 70 (última edición) o los Estándares CSA C22. 1-94, Código Eléctrico de Canadá, Parte 1 y C22.2 No. 0-M91 (última edición) y todos los códigos y ordenanzas locales.

REQUERIMIENTOS DE UBICACIÓN

➔ IMPORTANTE

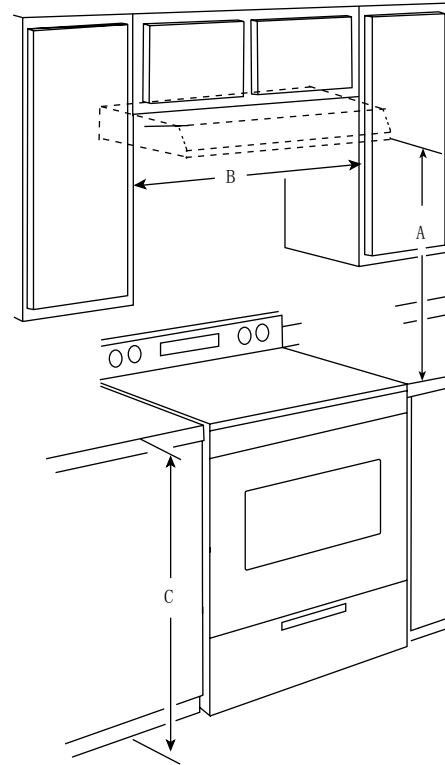
Cumpla con todos los códigos y ordenanzas locales.

- Es responsabilidad del instalador cumplir con los espacios de instalación.
- La campana de cocina debe ubicarse lejos de áreas que produzcan corrientes tales como ventanas, puertas y ductos de calefacción potentes.
- Se deben usar las dimensiones de apertura de gabinete que se muestran. Las dimensiones entregadas proporcionan el espacio mínimo requerido.
- Se requiere de un tomacorriente con conexión a tierra. Consulte la sección "Requerimientos Eléctricos".
- Todas las aperturas de techo y pared en donde la campana se debe instalar deben ser selladas.

Para instalaciones domésticas móviles

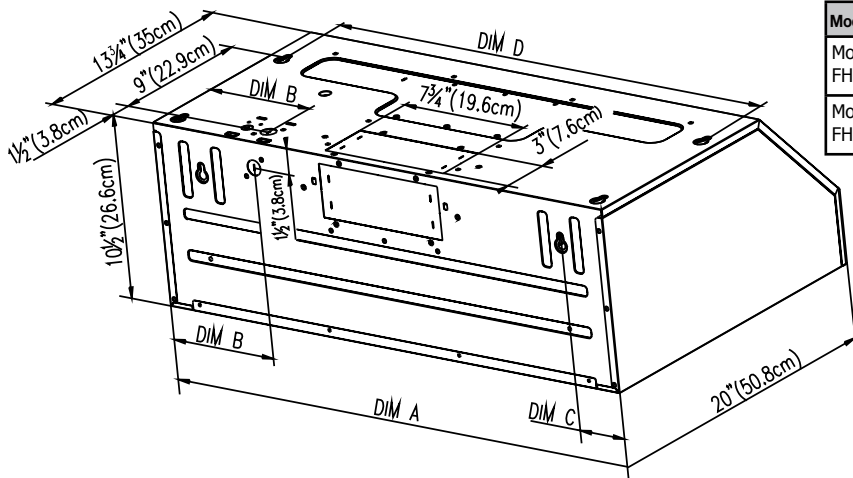
La instalación de esta campana de cocina debe hacerse en conformidad con los Estándares de Seguridad de Construcción Doméstica, Título 24 CFR, Parte 238 (anteriormente el Estándar Federal para la Construcción y Seguridad Doméstica Móvil) o cuando no se pueda aplicar ese estándar, el estándar para la Instalación Doméstica 1982 (Casas Fabricadas, Comunidades e Instalaciones) ANSI A225.1/NFPA 501^a, o última edición, o con códigos locales.

Dimensiones del gabinete



- A. 24" (61.0 cm) mín. para superficies de cocinas eléctricas
27" (68.6 cm) mín. para superficies de cocinas a gas
30" (76.2 cm) máx. sugeridas
- B. 30" (76.2 cm) mín. de ancho de apertura de gabinete para modelos de 30" (76.2 cm) y 36" (91.4 cm) mín. de ancho del gabinete para modelos de 36" (91.4 cm).
- C. 36" (91.4 cm) altura de gabinete base.

DIMENSIONES DEL PRODUCTO



Modelo de campana	Dim A	Dim B	Dim C	Dim D
Modelo FHCW3050RS 30"	29 7/8" (75.8 cm)	6 1/2" (16.7 cm)	3" (7.6cm)	27 3/4" (70.5 cm)
Modelo FHCW3650RS 36"	35 3/8" (89.8 cm)	9 1/4" (23.7 cm)	5 3/4" (14.6 cm)	33 1/4" (84.5 cm)

REQUERIMIENTOS DE VENTILACIÓN

- No termine el sistema de ventilación dentro de un ático u otra área cerrada.
- No use una solera alta de tipo lavandería de 4" (10.2 cm).
- Utilice solo un conducto de ventilación de metal. Se recomienda usar un conducto de ventilación de metal rígido. No se recomienda usar conductos de ventilación plásticos o de papel de metal.
- El largo del sistema de ventilación y el número de codos debe mantenerse al mínimo para obtener un funcionamiento eficiente.

Para una operación más silenciosa y eficiente:

- No use más de 3 codos de 90°.
- Asegúrese de que existe un espacio mínimo de 21" (61 cm) de conducto de ventilación derecho entre los codos si ocupa más de uno.
- No instale dos codos juntos.
- Utilice grapas o cinta para conductos para sellar las juntas del sistema de ventilación.
- El sistema de ventilación debe tener un amortiguador de aire frío en la salida.
- Use masilla para sellar la pared o el techo exterior alrededor de la apertura.
- Se obtiene un mejor rendimiento con un conducto recto, sin codos y usando una cañería lisa.

Instalación en condiciones climáticas frías

Se debe instalar un amortiguador adicional para minimizar la cantidad de aire frío que se devuelva y un aislamiento término para minimizar la conducción de temperaturas exteriores como parte del sistema de ventilación. El amortiguador debe ubicarse en el lado del aire frío del aislamiento termal. El aislamiento debe estar lo más cerca posible del lugar en donde el sistema de ventilación entra en la porción de calefacción de la casa.

Aire de complemento

Las normativas de construcción locales podrían requerir el uso de sistema de aire de complemento al usar sistemas de ventilación más grandes que los especificados por el CFM de movimiento de aire. La CFM especificada varía de localidad en localidad. Consulte con un HVAC profesional para adecuarse a los requerimientos específicos de su zona.

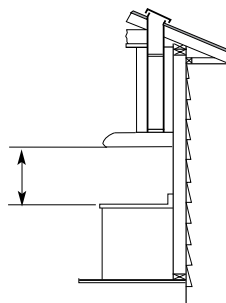
Métodos de ventilación

El Sistema de ventilación puede terminar ya sea a través de un techo o de una pared. Utilice un sistema de ventilación rectangular de 3¼" x 10" (8,3 x 25,4 cm) con una extensión máxima de 35 pies (10,7 m).

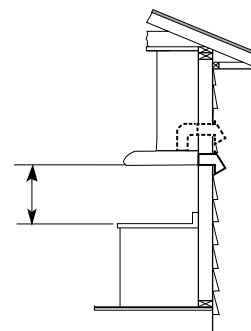
OBSERVACIÓN

No se recomienda usar un sistema de ventilación flexible. Estos sistemas crean tanto presión contraria como turbulencia de aire, las que reducen enormemente su rendimiento.

Apertura de techo



Apertura de pared



Cálculo del largo del sistema de ventilación

Para calcular el largo del sistema que usted necesita, agregue el equivalente en pies (metros) por cada pieza de ventilación usada en el sistema.

Estas directrices fueron establecidas solo para un sistema de ventilación rectangular. Si desea utilizar un sistema de ventilación de metal redondo, el diámetro mínimo que debe usar es de 8".

Sistema de ventilación rectangular de ¼" x 10" (8,3 cm x 25,4 cm)

Pieza de ventilación

Codo de 90° de
3¼" x 10" (8.3 cm x 25.4 cm)

60 pulgadas
(1,5 m)



Codo plano de
3¼" x 10" (8.3 cm x 25.4 cm)

144 pulgadas
(3,7 m)

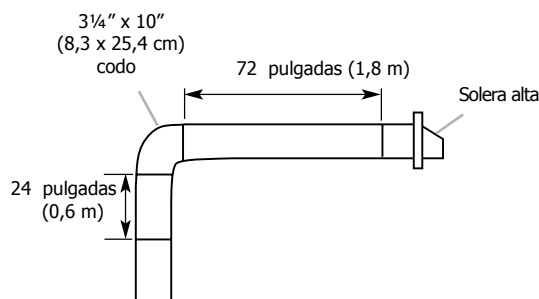


Solera alta de
3¼" x 10" (8.3 cm x 25.4 cm)

0,0 pulgadas
(0,00 cm)



Example Vent System



Longitud máxima recomendada	= 420 pulgadas (10,7 m)
1 – Codo de 90°	= 60 pulgadas (1,5 m)
96 pulgadas (2,4 m) rectas	= 96 pulgadas (2,4 m)
1 – Solera alta	= 0,0 pulgadas (0,0 m)
Sistema de 3¼" x 10" (8,3 cm x 25,4 cm)	= 156 pulgadas (3,9 m)

REQUERIMIENTOS DE VENTILACIÓN

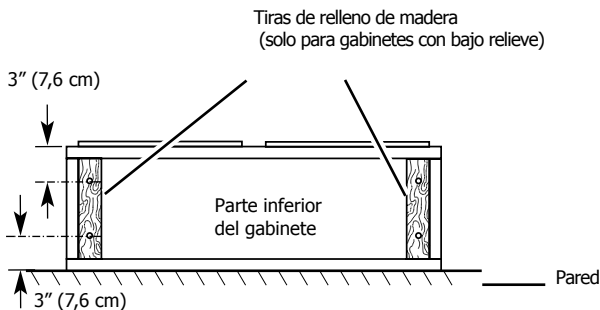
PREPARACIÓN DE LA UBICACIÓN

OBSERVACIÓN

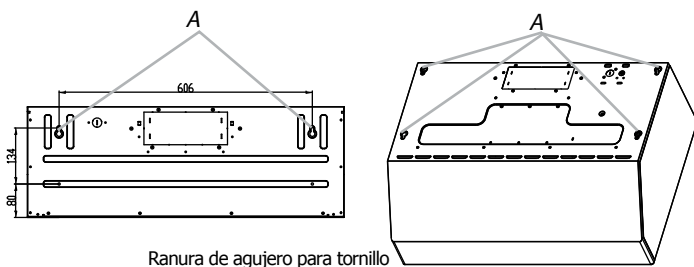
Antes de hacer algún corte, asegúrese de que existe un espacio adecuado entre el techo, pared o gabinete. Se proporciona material de montaje para asegurar la campana a la mayoría de los tipos de pared y gabinetes.

Sin embargo, un técnico calificado debe verificar la idoneidad de los materiales en conformidad con el tipo de pared y el gabinete.

1. Desconecte la energía
2. Seleccione una superficie plana para ensamblar la campana de cocina. Coloque una cubierta sobre esa superficie.
3. Levante la campana de cocina y colóquela al revés sobre la superficie que acaba de cubrir.
4. Si el gabinete posee un bajo relieve, agregue "dos tiras de relleno de 2" de ancho (5,1 cm). El largo y el grosor se determinan por las dimensiones del relieve. Cuatro tornillos para madera de cabeza plana o un grosor de "dos - 2" (5,1 cm) determinado por tornillo para metal con arandelas y tuercas para adherir los rellenos en las ubicaciones exhibidas.

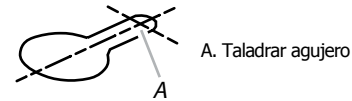


5. Levante la campana de cocina bajo el gabinete y determine la ubicación final centrándola bajo el mismo. Marque la parte inferior del gabinete en la ubicación de los 4 agujeros de montaje de la campana (consulte las dimensiones de estos agujeros en la página 6). Marque la ubicación de los tornillos de montaje traseros. Coloque la campana de cocina a un lado sobre la superficie cubierta.

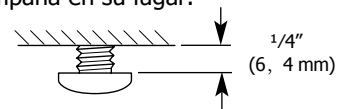


6. Utilice una broca de 5/64" y haga 4 agujeros, tal y como se muestra en el soporte superior de la campana.

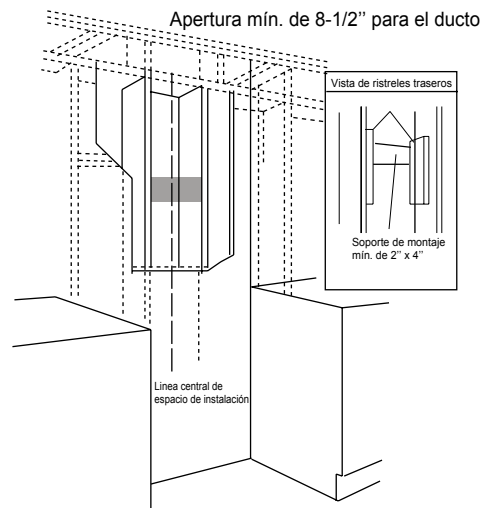
OBSERVACIÓN: Haga los agujeros en la parte delgada de la ranura.



7. Instale los 4 tornillos de montaje de 0,50 cm x 1,9 cm en los agujeros taladrados. Deje un espacio de alrededor de 1/4" (6,4 mm) entre las cabezas de los tornillos y el gabinete para deslizar la campana en su lugar.



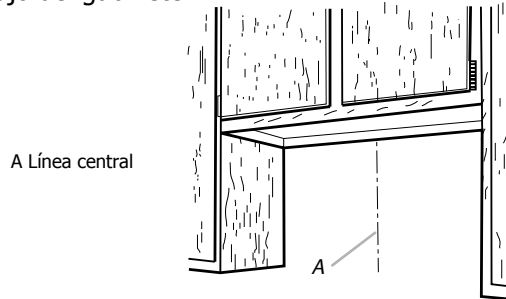
8. Instale el marco para el soporte de la campana. En caso de que exista una pared de yeso, utilice las ubicaciones de los agujeros marcados en la parte trasera en el paso anterior para sacar suficiente yeso y exponer dos travesaños verticales necesarios para montar los tornillos. Instale el soporte horizontal al menos 2" x 4" entre dos travesaños de pared en las ubicaciones de los agujeros de los tornillos de montaje traseros. El soporte horizontal debe estar alineado con el lado de la habitación de los travesaños. Utilice ristreles detrás de cada lado del soporte para asegurarlo a los travesaños de la pared. Reponga y restaure el yeso. **IMPORTANTE** – El marco debe ser capaz de soportar 45,5 kg.



PREPARACIÓN DE LA UBICACIÓN

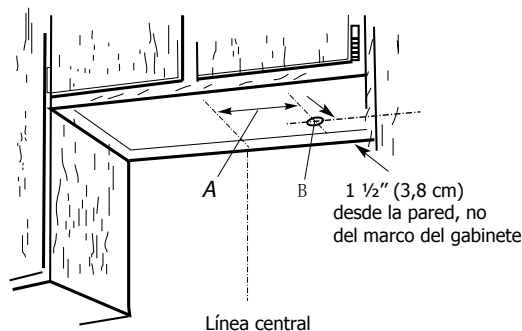
Determinación de la ubicación de los agujeros de los cables

1. Determine y marque claramente una línea vertical que marque el centro tanto en la pared como en la parte de abajo del gabinete.



Cableado desde la parte superior:

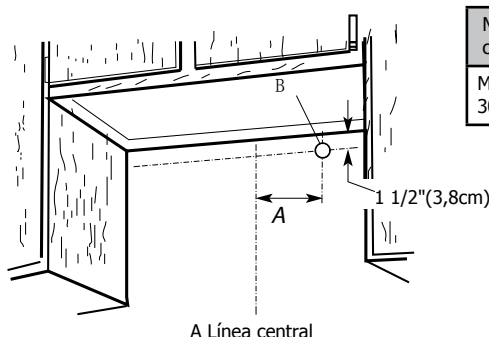
2. Marque una línea de distancia (A) desde la derecha hacia la línea central sobre la parte inferior del gabinete. Marque el punto sobre esta línea, esto es 1 1/2" (3,8cm) desde la pared trasera. En este punto, taladre un agujero de 1/4" (3,2 cm) (B) a través del gabinete.



Modelo de campana	Dim A
Modelos de 30" & 36"	8 ³ / ₈ " (21,3 cm)

Cableado a través de la pared:

1. Marque una línea de distancia (A) desde la derecha hacia la línea central sobre la parte inferior de la pared. Marque el punto sobre esta línea, esto es 1 1/2" (3,8cm) desde la pared inferior del gabinete. En este punto, taladre un agujero de 1/4" (3,2 cm) (B) a través de la pared trasera.

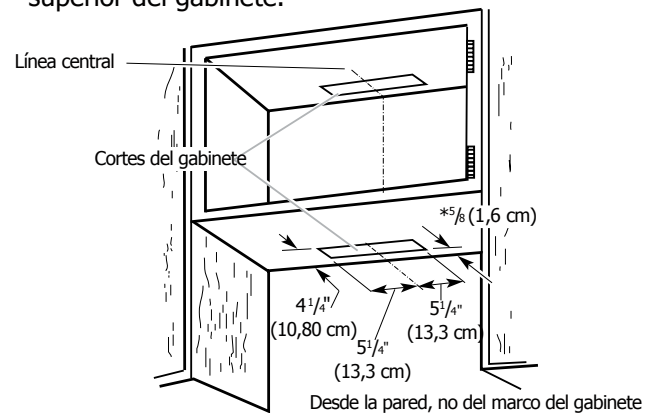


Modelo de campana	Dim A
Modelos de 30" & 36"	8 ³ / ₈ " (21,3 cm)

Ventilación de la habitación

Para hacer un corte rectangular de 4 1/4" x 10 1/2" (10,80 cm x 26,7 cm) en el lado de abajo de la parte superior e inferior del gabinete:

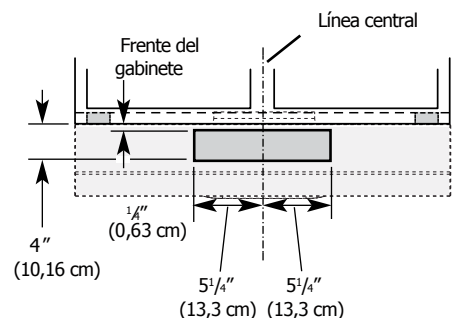
1. Marque líneas de 5/8" (1,6 cm) and 4 1/4" (10,80 cm) desde la pared trasera sobre la línea central de la parte de abajo del gabinete.
2. Marque líneas de 5 1/4" (13,3 cm) a la derecha e izquierda de la línea central de la parte de abajo del gabinete.
3. Utilice una sierra para cortar una apertura rectangular para el sistema de ventilación.
4. Repita los pasos 1-3 para la parte inferior de la zona superior del gabinete.



Apertura de pared

Para hacer un rectángulo de 4 1/4" x 10 1/2" (10,80 cm x 26,7 cm) en la pared:

1. Haga 2 líneas midiendo 1/4" (0,63 cm) and 4" (10,16 cm) desde la parte inferior del gabinete y márkelas sobre la línea central de la pared trasera.
2. Marque líneas de 5 1/4" (13,3 cm) a la derecha e izquierda de la línea central sobre la pared.
3. Utilice una sierra para cortar una apertura rectangular en la pared para la ventilación.



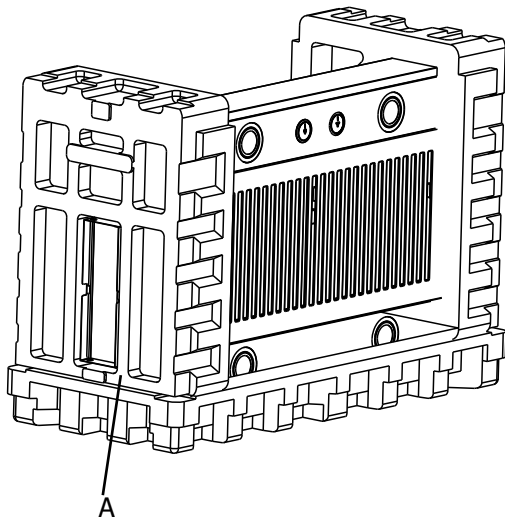
PREPARACIÓN DE LA UBICACIÓN

Instalación del sistema de ventilación

1. Instale la ventilación a través de la apertura ubicada en la parte superior del gabinete o pared. Complete el sistema de ventilación de acuerdo al método de ventilación seleccionado. Consulte la
2. sección "Requerimientos de Ventilación". Use masilla para sellar la pared o el techo exterior alrededor de la apertura.

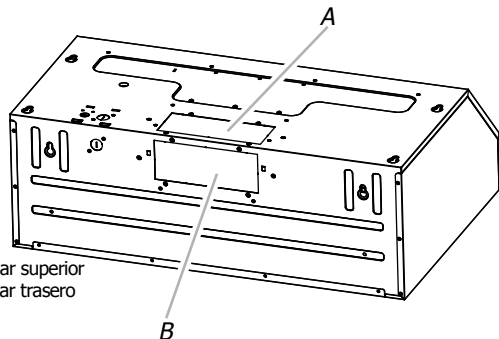
INSTALACIÓN DE LA CAMPANA DE COCINA (Versión conducto)

1. Retire el amortiguador de ventilación rectangular de 3¼" x 10" (8,3 x 25,4 cm) del empaque.



A. Amortiguador de ventilación rectangular de 3¼" x 10" (8,3 x 25,4 cm)

- En las instalaciones de techo, retire el bocado superior rectangular A. Para instalaciones en pared, retire el bocado trasero rectangular B.

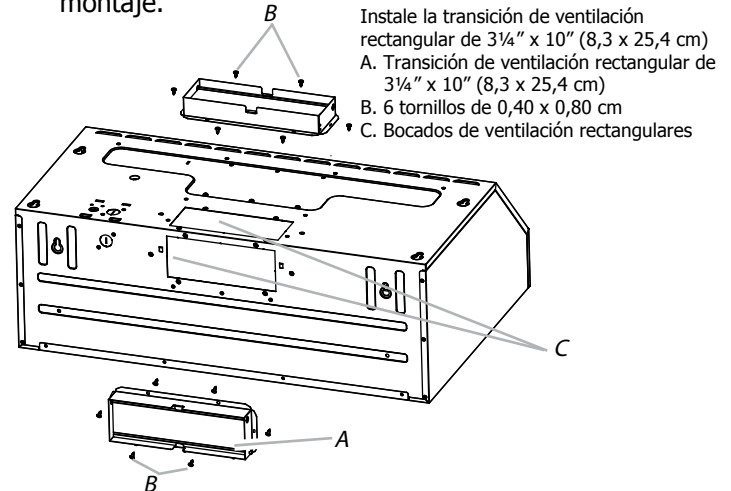


A. Bocado rectangular superior
B. Bocado rectangular trasero

Instalación de amortiguador de ventilación

Instale un amortiguador de ventilación de 3¼" x 10" (8,3 x 25,4 cm)

Conéctelo a la campana de cocina usando los tornillos indicados proporcionados en el juego de montaje.



Instale la transición de ventilación rectangular de 3¼" x 10" (8,3 x 25,4 cm)
A. Transición de ventilación rectangular de 3¼" x 10" (8,3 x 25,4 cm)
B. 6 tornillos de 0,40 x 0,80 cm
C. Bocados de ventilación rectangulares

- Si un amortiguador de ventilación se instala con una solera alta con amortiguador, revise que no interfieran el uno con el otro. Retire la tapa del amortiguador de ventilación si existe alguna interferencia.

Instalación de la alimentación eléctrica

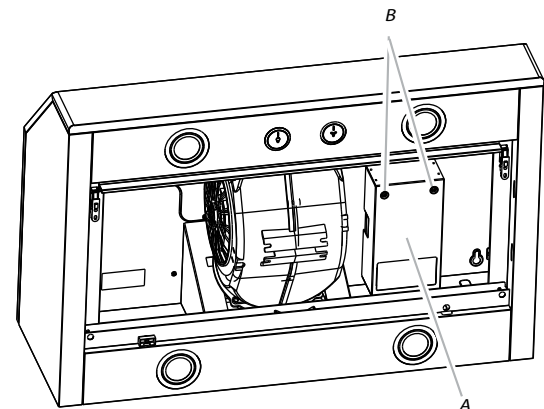
1. Para instalación de cables directos, disponga los cables de alimentación eléctrica de acuerdo con el Código Nacional de Electricidad o las normativas CSA y directrices y ordenanzas locales.

OBSERVACIÓN

No reconecte la electricidad hasta que la instalación esté completa.

Antes de iniciar la instalación, retire la rejilla de ventilación y los filtros de grasa.

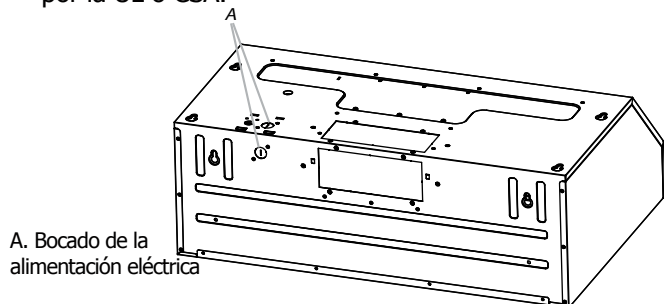
2. Retire los tornillos de la cubierta de la caja de terminales. Retire la cubierta y déjela a un lado.



A. Cubierta de la caja de terminales
B. Tornillo

INSTALACIÓN DE LA CAMPANA

3. Retire el bocado de la alimentación eléctrica que está en la parte superior o trasera de la campana de ventilación (dependiendo del lado en donde viene el cable de su casa) e instale un liberador de tensión de 1/2" aprobado por la UL o CSA.



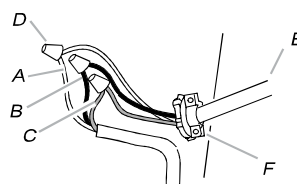
4. Levante la campana para ubicarla en su posición final. Utilice suficiente cable eléctrico a través del liberador de tensión de 1/2" aprobado por la UL o CSA para hacer las conexiones en la caja de terminales. Ajuste los tornillos de los liberadores de tensión.
5. Posicione la campana de tal forma que el extremo más grande de los agujeros quede sobre los tornillos de montaje. Luego empuje la campana hacia la pared para que los tornillos queden en el cuello de las ranuras. Ajuste los tornillos de montaje, asegurándose de que queden en la parte más angosta de las ranuras.
6. Agregue 2 tornillos traseros de 0,49 * 0,5 cm en el cuello angosto de las ranuras de los agujeros traseros. Estos deberían encajar en el soporte horizontal que se colocó entre los dos travesaños de pared en la sección PREPARACIÓN DE LA UBICACIÓN de la página 8.
7. Conecte la red de ventilación a la campana. Selle las juntas con las grapas de ventilación o la cinta para ductos para asegurarse de que no existan filtraciones de aire.
8. Revise que los amortiguadores traseros funcionen correctamente.

CONEXIÓN ELÉCTRICA

ADVERTENCIA

Peligro de golpe eléctrico
Desconecte la electricidad antes de realizar alguna mantención.
Reemplace todas las piezas y paneles de antes de utilizar.
De lo contrario podría sufrir un golpe eléctrico o alguna lesión que produzca la muerte.

1. Desconecte la energía



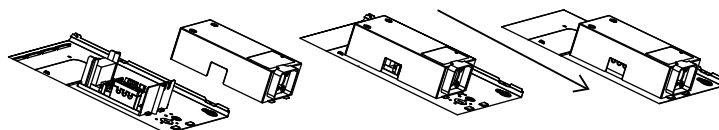
A. Cables blancos
B. Cables negros
C. Cable verde de conexión a tierra
D. Conector de cable aprobado por UL.
E. Cable de suministro eléctrico doméstico
F. Liberador de tensión de 1/2" certificado por UL o aprobado por CSA

2. Utilice conectores aprobados por UL y conecte los cables blancos (A) juntos.
3. Utilice conectores aprobados por UL y conecte los cables negros (B) juntos.

ADVERTENCIA

Peligro de incendio
Conecte a tierra el ventilador. Utilice cable de cobre.
Conecte el cable de conexión a tierra con el cable verde de la caja de terminales. De lo contrario podría sufrir un golpe eléctrico, provocar un incendio o recibir alguna lesión que produzca la muerte.

4. Conecte el cable de conexión a tierra verde desde la alimentación al cable verde de la caja de terminales.
5. Instale la cubierta de la caja de terminales.



6. Reconecte la energía.

Instalación completa

1. Instale los filtros de grasa. Consulte la sección "Uso de Campana de Cocina".
2. Revise el funcionamiento del ventilador y luz de la campana. Consulte la sección "Uso de Campana de Cocina".

Si la campana no funciona, revise para ver si el disyuntor eléctrico se activó o si un fusible resultó quemado. Desconecte la alimentación eléctrica y revise las conexiones.

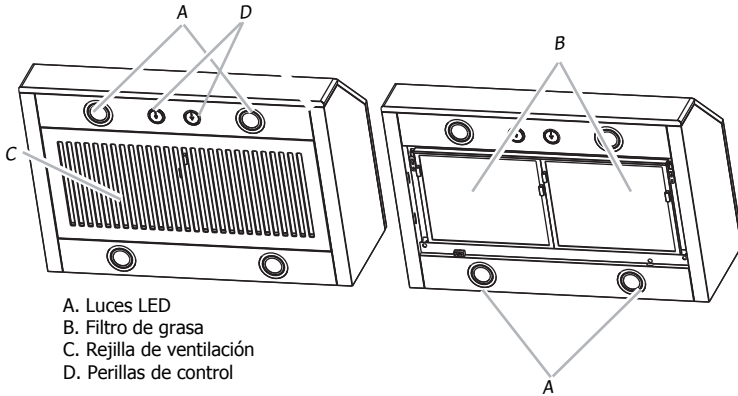
OBSERVACIÓN

Para obtener un uso más eficiente de su nueva campana de cocina, lea la sección "Uso de la Campana de Cocina".

USO DE LA CAMPANA DE COCINA

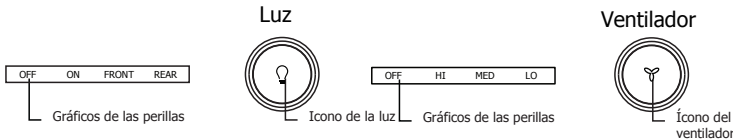
USO DE LA CAMPANA DE COCINA

La campana de cocina está diseñada para retirar el humo y los vapores de la cocina del área de cocción. Para mejores resultados, encienda la campana antes de empezar a cocinar y permita que funcione varios minutos después de que haya terminado de cocinar para evacuar todo el humo de la cocina.



Controles de la campana de cocina

Los controles de la campana están ubicados en la parte frontal inferior de la unidad.

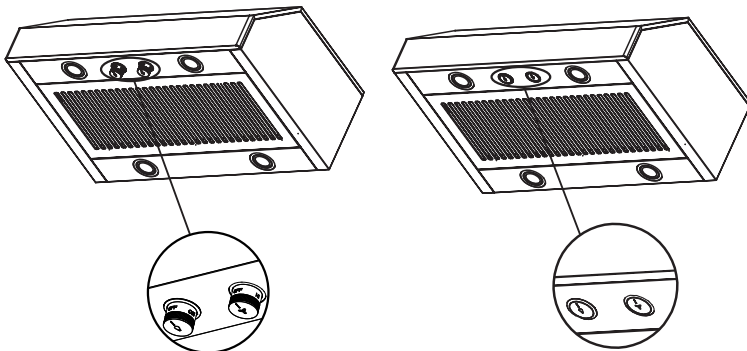


Funcionamiento de la luz

Presione la perilla para liberar y luego rotar en sentido contrario del reloj para Encender/Frontal/Trasera/Apagar.

Funcionamiento del ventilador

Presione la perilla para liberar y luego rotar en sentido contrario del reloj para velocidad Alta/Media/Baja/Apagar



Cleaning

⚠ ADVERTENCIA

Desconecte el dispositivo de la energía antes de limpiar para reducir riesgos de incendio o golpes eléctricos.

➡ IMPORTANTE

Limpie la campana y los filtros de grasa frecuentemente de acuerdo con las siguientes instrucciones. Vuelva a colocar el filtro de grasa antes de hacer funcionar la campana.

➡ IMPORTANTE

Superficies exteriores

No use esponjas abrasivas, limpiadores abrasivos, crema para pulir cocinas, lana de acero, paños arenosos o toallas de papel. Para evitar dañar el acero inoxidable, no use limpiadores que contengan cloro.

Método de limpieza:

SMUDGE-PROOF™ ACERO INOXIDABLE

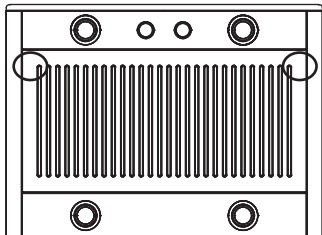
Su campana posee una terminación Smudge-Proof™ de acero inoxidable. Limpie con una solución jabonosa tibia y una esponja o paño. Enjuague con agua limpia y seque con un paño limpio y suave. NO USE limpiadores de acero inoxidable ni ningún otro tipo de limpiador que contenga abrasivos, cloro o amoníaco. Se recomienda usar una solución de agua y jabón suave o una solución de agua y vinagre (50/50).

CUIDADO DE LA CAMPANA DE COCINA

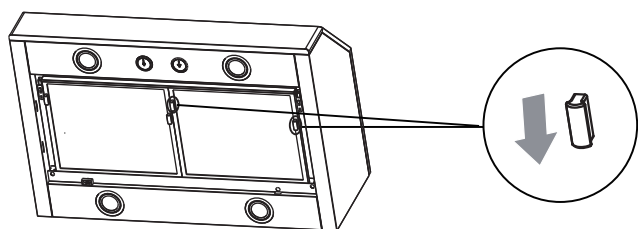
Para limpiar y colocar el filtro de grasa

1. Presione en el área indicada para abrir la rejilla de ventilación. La rejilla se abrirá para que pueda acceder a los filtros de grasa.

PRESIONE PARA ABRIR →



2. Presione en el área indicada para abrir la rejilla de ventilación. La rejilla se abrirá para que pueda acceder a los filtros de grasa.



3. Para limpiar el filtro de grasa, remoje los filtros en agua caliente usando un detergente suave. Enjuague bien y sacuda para secar.

OBSERVACIÓN

No use amoníaco. El aluminio del filtro de grasa se corroerá y oscurecerá.

OBSERVACIÓN

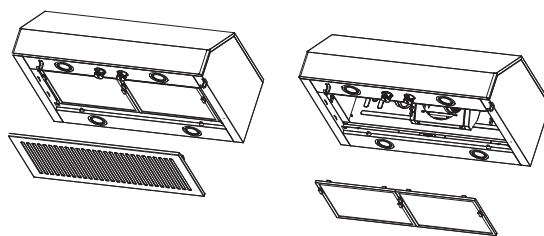
El filtro de grasa se puede lavar en un lavavajillas. Para evitar daños en el filtro de grasa al limpiar, colóquelo en la rejilla superior del lavavajillas. Para retirar o instalar los filtros de grasa presione la lengüeta en dirección a la parte trasera de la unidad.

ADVERTENCIA

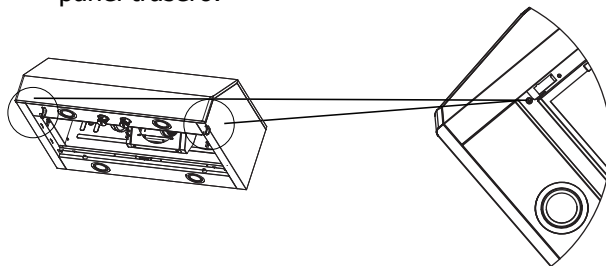
Peligro de golpe eléctrico
Desconecte la electricidad antes de realizar alguna mantención.
Reemplace todas las piezas y paneles de antes de utilizar.
De lo contrario podría sufrir un golpe eléctrico o alguna lesión que produzca la muerte.

Remplazo de las luces LED frontales

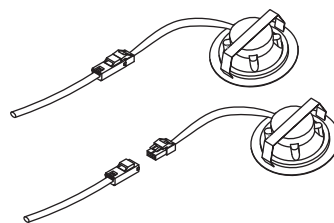
1. Retire la rejilla de ventilación y los filtros de grasa.



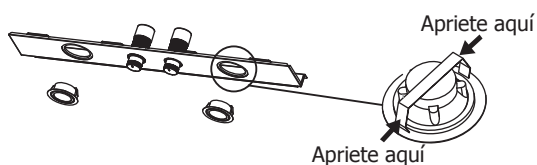
2. Retire los tornillos del soporte frontal y deslice el panel trasero.



3. Desconecte los cables de las luces LED frontales.



4. Apriete los clips de montaje de las lámparas LED y empújelas tal y como se exhibe a continuación.



5. Reemplace las luces LED con unas nuevas que tengan el número 5304503879 y reinstale el soporte frontal.

CUIDADO DE LA CAMPANA DE COCINA

ADVERTENCIA

Peligro de golpe eléctrico

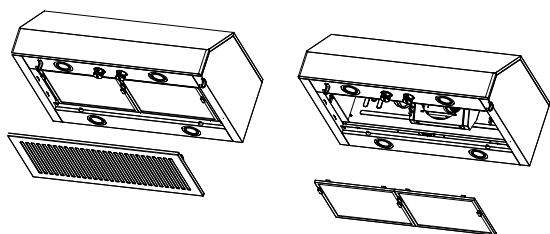
Desconecte la electricidad antes de realizar alguna mantención.

Remplace todas las piezas y paneles de antes de utilizar.

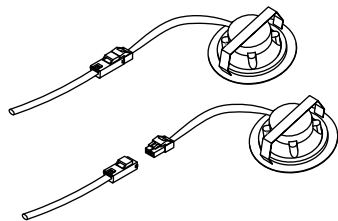
De lo contrario podría sufrir un golpe eléctrico o alguna lesión que produzca la muerte.

Replazo de las luces LED traseras

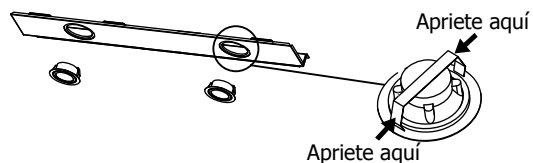
1. Replazo de las luces LED traseras



2. Desconecte los cables de las luces LED traseras.



3. Apriete los clips de montaje de las lámparas LED y empújelas tal y como se exhibe a continuación.



4. Remplace las luces LED con unas nuevas que tengan el número 5304503879.

SOLUCIÓN DE PROBLEMAS

Problema	Posibles causas	Soluciones
La unidad no funciona después de instalarla	<ol style="list-style-type: none"> 1. El cable de energía y el conector no están conectados correctamente. 2. Los cables de los interruptores están desconectados o sueltos. 	<ol style="list-style-type: none"> 1. Revise las conexiones de electricidad. 2. Asegúrese de que los cables de los interruptores estén bien conectados.
La luz funciona pero el motor no enciende	<ol style="list-style-type: none"> 1. El motor está defectuoso 2. El cable del motor no está conectado. 	<ol style="list-style-type: none"> 1. Cambie el motor. 2. Asegúrese de que el cable del motor esté conectado en el conector de la caja de terminales.
La unidad es vibra.	<ol style="list-style-type: none"> 1. El motor no está seguro en su lugar. 2. La rueda del ventilador está dañada. 3. La campana no está segura en su lugar. 	<ol style="list-style-type: none"> 1. Asegure el motor en su lugar. 2. Cambie el ventilador. 3. Revise la instalación de la campana.
El motor funciona pero las luces no encienden.	<ol style="list-style-type: none"> 1. Las ampolletas/bombillas están defectuosas 2. La ampolleta/bombilla está suelta. 3. Los cables del interruptor de la luz están sueltos 	<ol style="list-style-type: none"> 1. Cambie la ampolleta/bombilla. 2. Asegúrese de que la ampolleta/bombilla quede instalada adecuadamente. 3. Asegúrese de que los cables de los interruptores de la luz estén bien conectados.
La campana no ventila correctamente	<ol style="list-style-type: none"> 1. La campana podría estar ubicada a una altura superior a la recomendada. 2. El viento de las ventanas o puertas abiertas de los alrededores afecta la ventilación de la campana. 3. Existe un bloqueo en los ductos. 4. La dirección de la apertura del ducto queda contra la dirección del viento. 5. Está usando un ducto del tamaño equivocado. 	<ol style="list-style-type: none"> 1. Revise las instrucciones de instalación. 2. Cierre todas las ventanas y puertas para eliminar los flujos de aire externos. 3. Retire cualquier tipo de bloqueo de los ductos. 4. Ajuste la dirección de la apertura del ducto. 5. Cambie el ducto por uno del tamaño correcto.
La rejilla de ventilación o el filtro de grasa vibran	<ol style="list-style-type: none"> 1. La rejilla de ventilación o el filtro de grasa está suelto. 	<ol style="list-style-type: none"> 1. Asegúrese de que la rejilla y el filtro estén instalados correctamente.

Información de la garantía

Su electrodoméstico está cubierto por una garantía limitada de un año. Durante un año a partir de la fecha original de compra, Electrolux cubrirá todos los costos de reparación o reemplazo de cualquier pieza de éste electrodoméstico que se encuentre defectuosa en materiales o mano de obra cuando el electrodoméstico se instala, utiliza y mantiene de acuerdo con las instrucciones proporcionadas.

Exclusiones Esta garantía no cubre lo siguiente:

1. Productos a los que se les quitaron o alteraron los números de serie originales o que no pueden determinarse con facilidad.
2. Productos que hayan sido transferidos del dueño original a un tercero o que no se encuentren en los EE.UU. o en Canadá.
3. Óxido en el interior o exterior de la unidad.
4. Los productos comprados "previamente usados o productos de muestra" no están cubiertos por esta garantía.
5. Pérdida de alimentos por fallas del refrigerador o congelador.
6. Productos utilizados para fines comerciales.
7. Las llamadas de servicio que no involucren el funcionamiento defectuoso ni los defectos de materiales o de mano de obra, o para electrodomésticos que no sean utilizados para uso normal del hogar o de acuerdo con las instrucciones proporcionadas.
8. Llamadas de servicio para corregir errores de instalación del electrodoméstico o para instruirlo sobre el uso del mismo.
9. Gastos para facilitar el acceso al electrodoméstico para el servicio, tales como la remoción de molduras, armarios, estantes, etc. que no eran parte del electrodoméstico cuando se envió de la fábrica.
10. Llamadas de servicio para reparar o reemplazar bombillas, filtros de aire, filtros de agua, otros consumibles, perillas, manijas u otras piezas decorativas.
11. Costos adicionales que incluyen, sin limitarse, cualquier llamada de servicio fuera de las horas de oficina, durante los fines de semana o días feriados, peajes, pasajes de transporte o millaje/kilometraje para llamadas de servicio en áreas remotas, incluyendo el estado de Alaska.
12. Daños al acabado del electrodoméstico o al hogar que hayan ocurrido durante la instalación, incluyendo, sin limitarse, los armarios, paredes, etc.
13. Daños causados por: servicio realizado por compañías de servicio no autorizadas, el uso de piezas que no sean piezas genuinas Electrolux o piezas obtenidas de personas que no pertenezcan a compañías de servicio autorizado, o causas externas como abuso, mal uso, suministro eléctrico inadecuado, accidentes, incendios, hechos fortuitos o desastres naturales.

RENUNCIA DE RESPONSABILIDAD DE GARANTÍAS IMPLÍCITAS; LIMITACIÓN DE ACCIONES LEGALES

LA ÚNICA Y EXCLUSIVA OPCIÓN DEL CLIENTE BAJO ESTA GARANTÍA LIMITADA ES LA REPARACIÓN O REEMPLAZO DEL PRODUCTO SEGÚN SE INDICA. LOS RECLAMOS BASADOS EN GARANTÍAS IMPLÍCITAS, INCLUYENDO LAS GARANTÍAS DE COMERCIALIZACIÓN O APTITUD DEL PRODUCTO PARA UN PROPÓSITO ESPECÍFICO, ESTÁN LIMITADOS A UN AÑO O AL PERÍODO MÍNIMO PERMITIDO POR LEY, PERO NUNCA MENOS DE UN AÑO. ELECTROLUX NO SERÁ RESPONSABLE POR DAÑOS CONSECUTIVOS O INCIDENTALES COMO POR EJEMPLO DAÑOS A LA PROPIEDAD Y GASTOS INCIDENTALES OCASIONADOS POR EL INCUMPLIMIENTO DE ESTA GARANTÍA ESCRITA O DE CUALQUIER GARANTÍA IMPLÍCITA. ALGUNOS ESTADOS Y PROVINCIAS NO PERMITEN LA EXCLUSIÓN O LIMITACIÓN DE DAÑOS INCIDENTALES O CONSECUTIVOS O LIMITACIONES EN LA DURACIÓN DE LAS GARANTÍAS IMPLÍCITAS, DE MANERA QUE PUEDE QUE ESTAS LIMITACIONES O EXCLUSIONES NO SE APLIQUEN EN SU CASO. ESTA GARANTÍA ESCRITA LE OTORGA DERECHOS LEGALES ESPECÍFICOS. ESO POSIBLE QUE TAMBIÉN TENGA OTROS DERECHOS QUE VARÍAN DE UN ESTADO A OTRO.

Si tiene que solicitar servicio técnico Guarde su recibo, el comprobante de entrega o cualquier otro registro de pago adecuado para establecer el período de la garantía si llegara a requerir servicio. Si se realiza la reparación, le conviene obtener y conservar todos los recibos. El servicio realizado bajo esta garantía debe ser obtenido a través de Electrolux utilizando las direcciones o números que se indican abajo.

Esta garantía sólo se aplica en los Estados Unidos y Canadá. En los EE.UU., su electrodoméstico está garantizado por Electrolux Major Appliances North America, una división de Electrolux Home Products, Inc. En Canadá, su electrodoméstico está garantizado por Electrolux Canada Corp. Electrolux no autoriza a ninguna persona a cambiar o agregar ninguna obligación bajo esta garantía. Nuestras obligaciones de reparación y piezas bajo esta garantía deben ser realizadas por Electrolux o compañía de servicio autorizado. Las especificaciones o características del producto según se describen o ilustran están sujetas a cambio sin previo aviso.

USA
1.800.944.9044
Electrolux Home Products, Inc.
10200 David Taylor Drive
Charlotte, NC 28262



Canada
1.800.265.8352
Electrolux Canada Corp.
5855 Terry Fox Way
Mississauga, Ontario, Canada
L5V 3E4