



Chill[®] Room Air Conditioners

SPECIFICATIONS, INSTALLATION
AND SIZING GUIDE



FRIEDRICH

1 8 8 3



CP05 Model



Chill and Chill+ Models



LCD Remote

Full LCD display shows MODE, FAN SPEED and SET TEMPERATURE and TIMER ON/OFF. Adjust TEMPERATURE and FAN SPEEDS, select MODE and set the TIMER.

Chill® Series Excellent efficiency with low sound levels for carefree cooling.

SPECIFICATIONS

★ Indicates ENERGY STAR® models

| Model | UPC | Cooling Btu | Heating Btu | Volts Rated | Cooling Amps | Cooling Watts | Heating Amps | Heating Watts | EER | CEER | Estimated Yearly Energy Cost | Moisture Removal-Pints/HR | Refrigerant | CFM | Net Wt. lbs. | Ship Wt. lbs. | Sleeve |
|--------------------------------|--------------|-------------|-------------|-------------|--------------|---------------|--------------|---------------|-----------|-----------|------------------------------|---------------------------|-------------|-----|--------------|---------------|--------|
| Chill® (Cool Only) | | | | | | | | | | | | | | | | | |
| CP05G10B | 724587431728 | 5200 | — | 115 | 4.3 | 460 | — | — | 11.3 | 11.0 | \$42 | 1.5 | R410A | 140 | 46 | 50 | P1 |
| ★ CP06G10B | 724587432824 | 6000 | — | 115 | 4.6 | 490 | — | — | 12.2 | 12.1 | \$44 | 1.8 | R410A | 200 | 62 | 71 | P6 |
| ★ CP08G10B | 724587432831 | 8000 | — | 115 | 6.2 | 660 | — | — | 12.1 | 12.0 | \$60 | 2.2 | R32 | 250 | 63 | 72 | |
| ★ CP10G10B | 724587432848 | 10000 | — | 115 | 7.7 | 820 | — | — | 12.2 | 12.0 | \$74 | 3.0 | R32 | 300 | 75 | 85 | P7 |
| ★ CP12G10B | 724587432855 | 12000 | — | 115 | 9.3 | 990 | — | — | 12.1 | 12.0 | \$89 | 3.3 | R32 | 330 | 83 | 93 | |
| ★ CP15G10B | 724587432862 | 15500 | — | 115 | 11.9 | 1300 | — | — | 11.9 | 11.8 | \$117 | 4.0 | R32 | 400 | 117 | 132 | P8 |
| ★ CP18G30B | 724587432879 | 19000/18600 | — | 230/208 | 7.4/8.0 | 1590/1560 | — | — | 11.9/11.9 | 11.8/11.8 | \$138 | 5.5 | R32 | 520 | 132 | 147 | |
| ★ CP24G30B | 724587432886 | 24000/23500 | — | 230/208 | 11.4/10.6 | 2260/2310 | — | — | 10.4/10.3 | 10.3/10.3 | \$209 | 6.8 | R32 | 590 | 137 | 152 | P9 |
| Chill®+ (Electric Heat) | | | | | | | | | | | | | | | | | |
| EP08G11B | 724587431735 | 7500 | 3850 | 115 | 6.3 | 670 | 11.0 | 1260 | 11.2 | 11.0 | \$61 | 2.1 | R410A | 250 | 79 | 85 | P6 |
| EP12G33B | 724587431742 | 12000/11500 | 11200/9200 | 230/208 | 4.8/5.1 | 1060/1010 | 14.0/15.3 | 3500/2900 | 11.3/11.3 | 11.2/11.2 | \$96 | 3.3 | R410A | 265 | 87 | 93 | P7 |
| EP18G33B | 724587431759 | 18000/17500 | 12000/9800 | 230/208 | 7.2/7.8 | 1600/1560 | 16.0/15.0 | 3670/3100 | 11.2/11.2 | 11.1/11.1 | \$144 | 5.5 | R410A | 430 | 136 | 150 | P9 |
| EP24G33B | 724587431766 | 23000/22500 | 12000/9800 | 230/208 | 10.6/11.5 | 2340/2290 | 16.0/15.0 | 3670/3100 | 9.8/9.8 | 9.8/9.8 | \$211 | 6.5 | R410A | 560 | 146 | 160 | |

Chill+ Electric Heat heating information indicates electric heat strip performance.

As an ENERGY STAR® partner, Friedrich Air Conditioning Co. has determined that the selected ENERGY STAR® models meet the ENERGY STAR® guidelines for energy efficiency.

The consumer, through the AHAM Room Air Conditioner Certification Program, can be certain that the AHAM Certification Seal accurately states the unit's cooling and heating capacity rating, the amperes and the energy efficiency ratio.

EER is the unit's Energy Efficiency Ratio; CEER is the unit's Combined Energy Efficiency Ratio.

Your energy costs will depend on your utility rates and use. The estimated energy cost is based on a electricity cost of \$.12 per kWh. For more information, visit www.ftc.gov/energy.

Due to continuing research in new energy-saving technology, specifications are subject to change without notice.

Chill® Features

- 24-hour timer
- Auto air sweep swing louvers* provide more even air distribution
- Chill units feature a 3 speed fan for cooling or fan-only setting
- Chill+ units feature a 2 speed fan for cooling, heating or fan-only setting
- Ultraquiet operation
- 4-way air flow control
- Auto-restart saves settings if power is interrupted
- ENERGY STAR® qualified models
- Money Saver® setting saves money by operating the fan only when cooling
- Washable, antimicrobial air filter
- Check filter alert
- Stale air exhaust*
- Install in window or thru-wall**
- Standard installation hardware
- Expandable side curtains
- Power cord can run either left or right out of the side of the unit front*
- EntryGard™ anti-intrusion protection
- Zero Ozone Depletion Refrigerants
- NEW R32 refrigerant with low Global Warming Potential (select models)

*Feature not available on CP05. **CP05 has a fixed chassis and is for window installation only

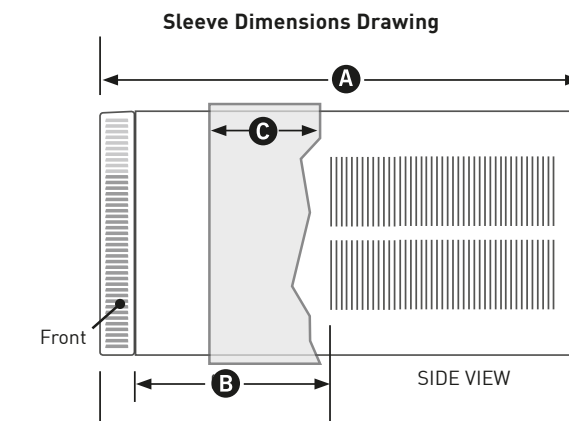


| Sleeve | Height Inches | Width Inches | Depth with Front Inches A | Shell Depth to Louvers Inches B | Minimum Extension Into Room* Inches | Minimum Extension Outside* Inches | Window Width Inches | | In-wall Installation Finished Hole Inches | | | Carton Dimensions Inches | | |
|--------|---------------|--------------|---------------------------|---------------------------------|-------------------------------------|-----------------------------------|---------------------|---------|---|---------|--------------|--------------------------|---------|---------|
| | | | | | | | Minimum** | Maximum | Height | Width | Max. Depth C | Height | Width | Depth |
| P1† | 12" | 18 1/2" | 15" | 5" | 3 1/2" | 10 3/4" | 20 1/8" | 36" | NOT FOR THRU-WALL | | | 15 1/4" | 22 1/4" | 17 1/2" |
| P6 | 14" | 18 3/8" | 20 7/8" | 8 1/8" | 4 1/2" | 11" | 20 1/8" | 36" | 14 1/8" | 18 7/8" | 7 1/2" | 17 7/8" | 22 3/4" | 22" |
| P7 | 15" | 23 5/8" | 21 3/4" | 8 3/4" | 4 1/2" | 12" | 25 1/4" | 39" | 15 1/4" | 23 7/8" | 8" | 18 3/4" | 26 3/4" | 23 7/8" |
| P8 | 16 7/8" | 26" | 26 7/8" | 10 1/4" | 5 1/2" | 16 5/8" | 26 1/2" | 42" | 17 1/8" | 26 1/4" | 9" | 21 1/2" | 29 1/2" | 29" |
| P9 | 16 7/8" | 26" | 30 3/8" | 10 1/4" | 5 1/2" | 19 1/2" | 26 1/2" | 42" | 17 1/8" | 26 1/4" | 9" | 21 1/2" | 33" | 28 7/8" |

* Minimum extensions when mounted in a window.

** Minimum widths achieved using one side curtain assembly as opposed to both in a standard installation.

† Sleeve P1 does not have in-wall hole dimensions, as these units are fixed chassis and should not be installed in-wall.



COOLING SIZING GUIDE

| Area to be conditioned in sq. ft. | Approximate Cooling Btu Required |
|-----------------------------------|----------------------------------|
| 100 - 150 | 5000 |
| 150 - 250 | 6000 |
| 250 - 300 | 7000 |
| 300 - 350 | 8000 |
| 350 - 400 | 9000 |
| 400 - 450 | 10000 |
| 450 - 550 | 12000 |
| 550 - 700 | 14000 |
| 700 - 1000 | 18000 |
| 1000 - 1200 | 21000 |
| 1200 - 1400 | 23000 |
| 1400 - 1500 | 24000 |

Based on normal room insulation, average number of sun exposed windows and two person occupancy.

1. If heavily shaded, reduce cooling Btus required by 10%
2. If very sunny, increase cooling Btus required by 10%
3. Add 500 Btus per person over 2 people
4. Add 4,000 Btus if the area is a kitchen

CIRCUIT RATING/ BREAKER

| Model | Circuit Rating Breaker or T-D Fuse | Plug Face (NEMA#) | Power Cord Length (ft.) | Wall Outlet Appearance |
|--|------------------------------------|-------------------|-------------------------|------------------------|
| CP05G10B | 125V - 15A | 5-15P | 6 1/2 | |
| CP06G10B, CP08G10B, CP10G10B, CP12G10B and CP15G10B. EP08G11B. | 125V - 15A | 5-15P | 6 | |
| CP18G30B | 250V - 15A | 6-15P | 4 1/2 | |
| CP24G30B, EP12G33B, EP18G33B and EP24G33B. | 250V - 20A | 6-20P | 4 | |