

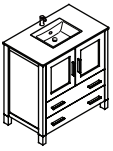


# FVN6230-UNS TORINO

## INSTALLATION GUIDE

### CONTENTS:

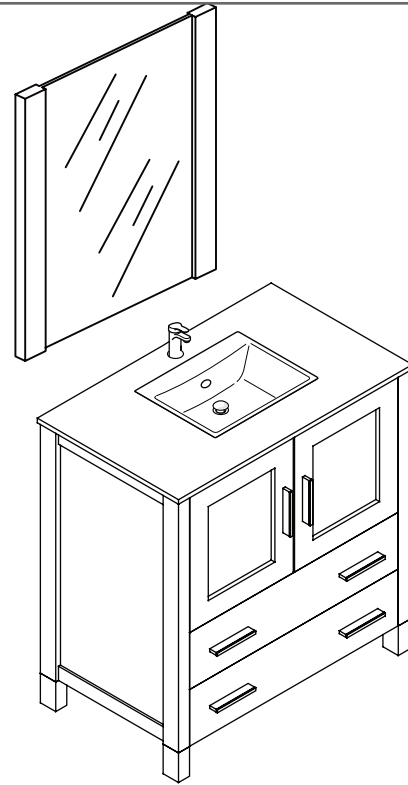
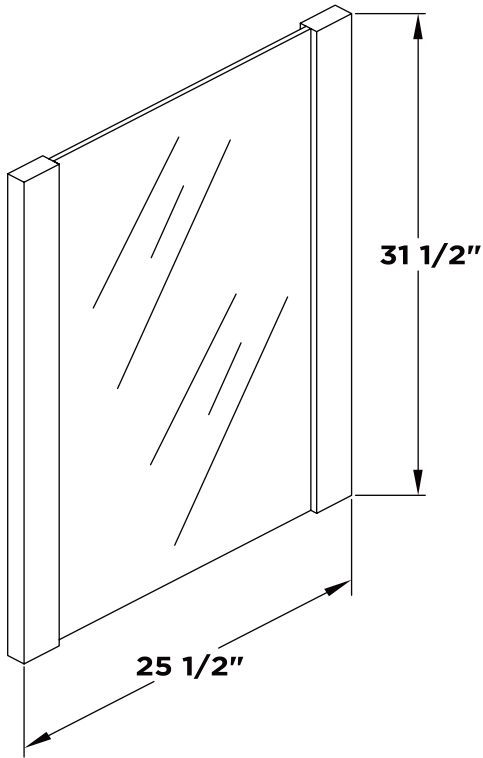
Cabinet .....	(FCB6230) .....	PAGE 3
Sink .....	(FVS6230) .....	PAGE 4
Mirror .....	(FMR6230) .....	PAGE 2



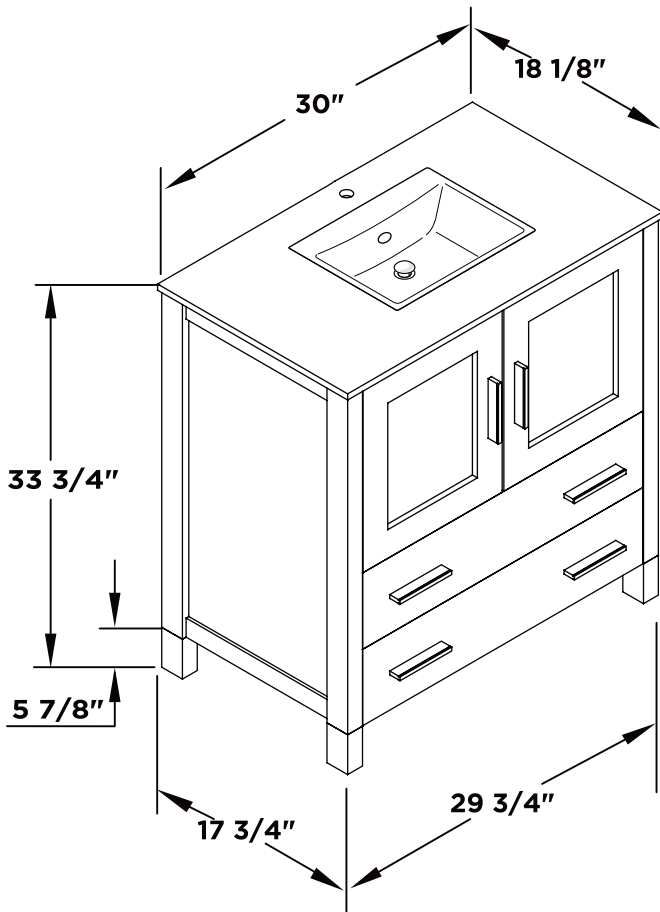
**FVN6230-UNS**  
**TORINO**  
**INSTALLATION GUIDE**



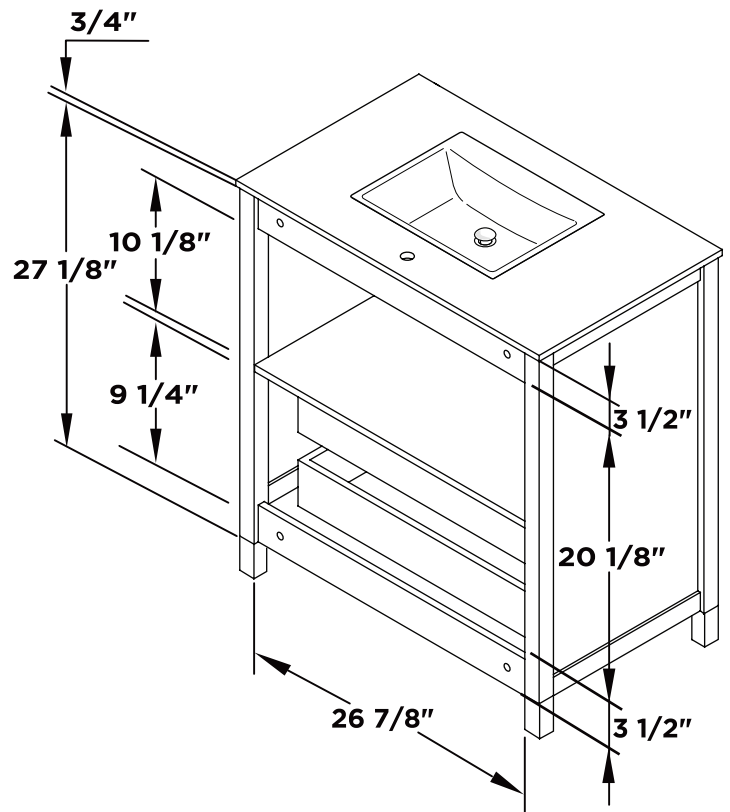
Mirror



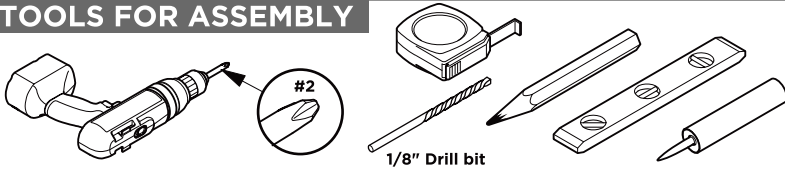
Vanity Front



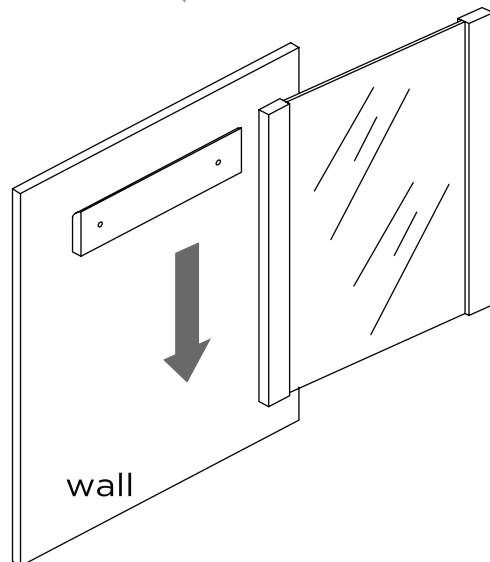
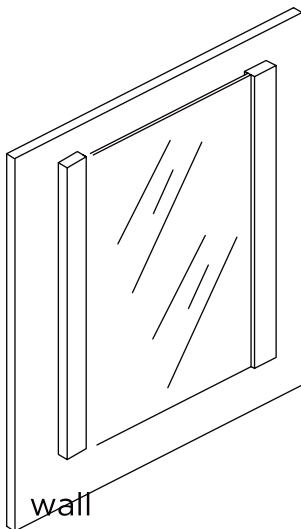
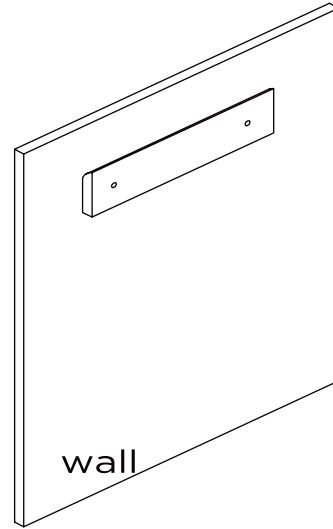
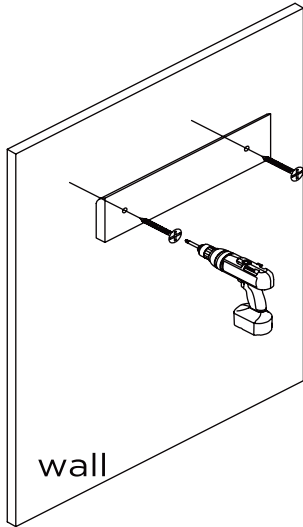
Vanity Back



**TOOLS FOR ASSEMBLY**

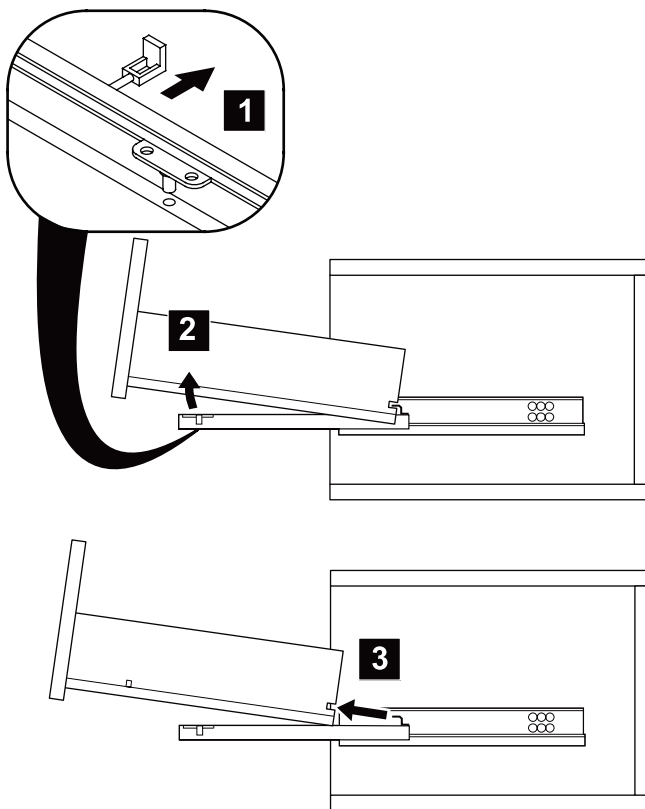


**MIRROR INSTALLATION**

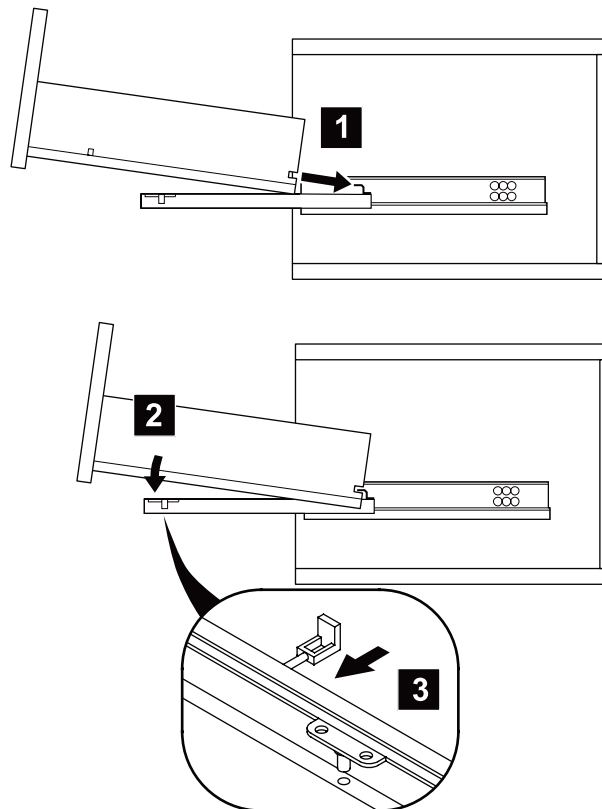


# DRAWER REMOVAL & INSTALLATION

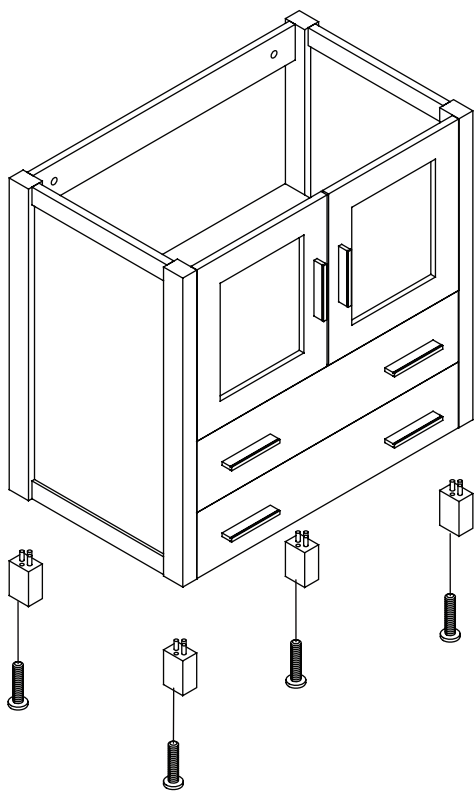
## REMOVAL



## INSTALLATION



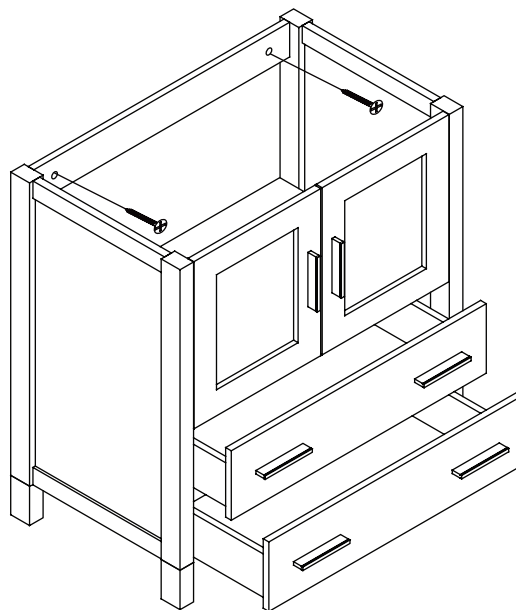
**1** Install leg



**2** Remove drawer

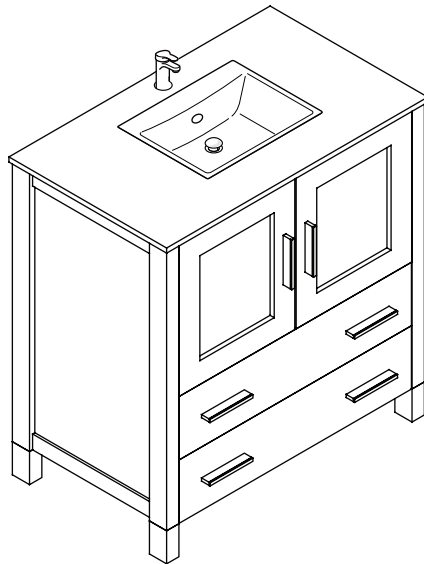
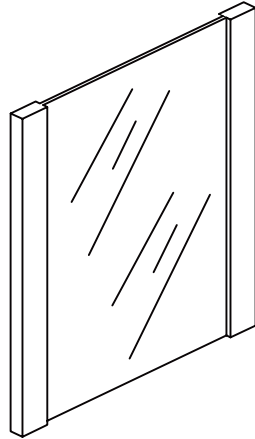
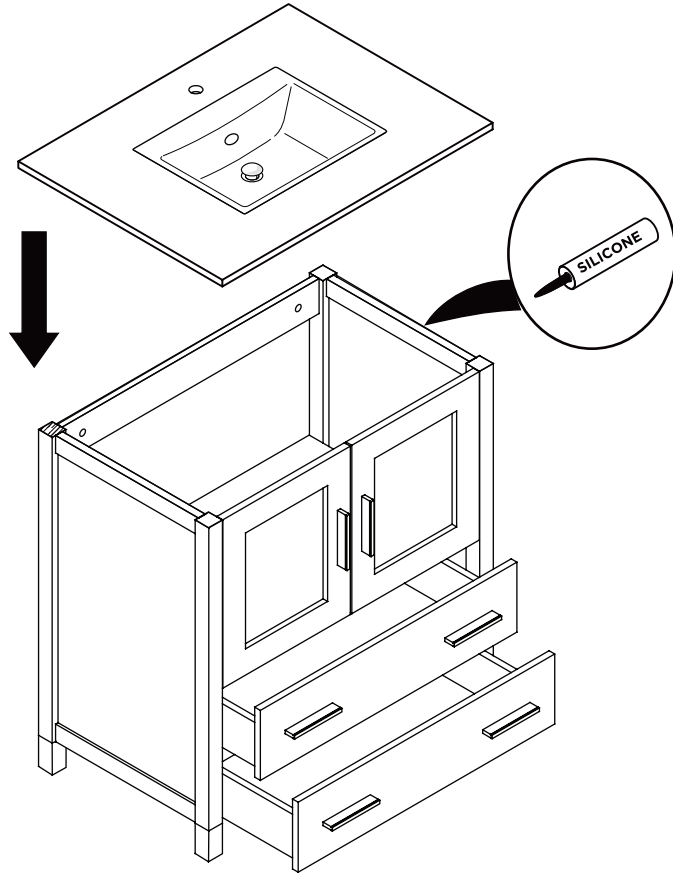
**3** Install cabinet

**IMPORTANT:** Consult an expert for the proper screws/bolts to use when attaching to various wall constructions. Screws provided do not attach to all wall construction types.



4

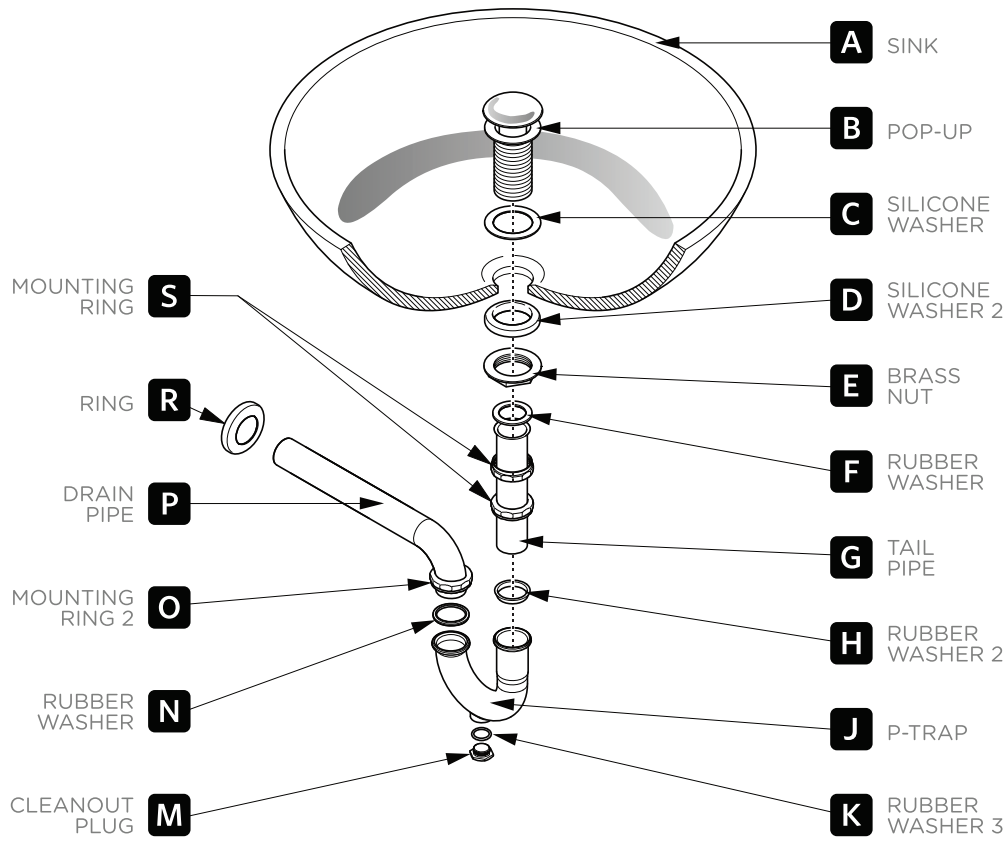
Install top panel



# P-TRAP & POP-UP

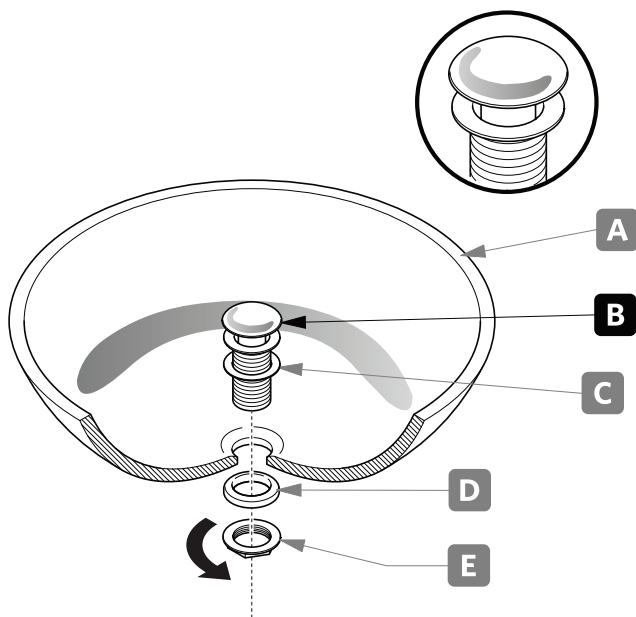
## INSTALLATION INSTRUCTIONS

Your item may appear slightly different from the illustration.



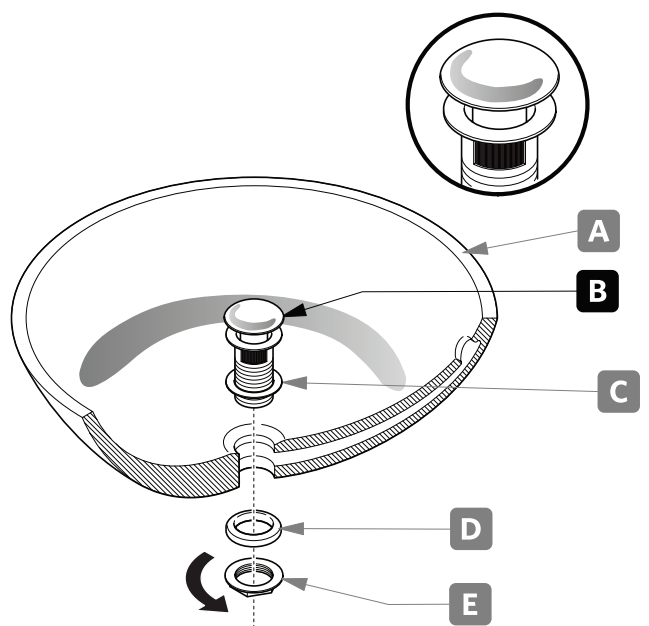
## POP-UP INSTALLATION

**FOR SINKS WITHOUT OVERFLOW**



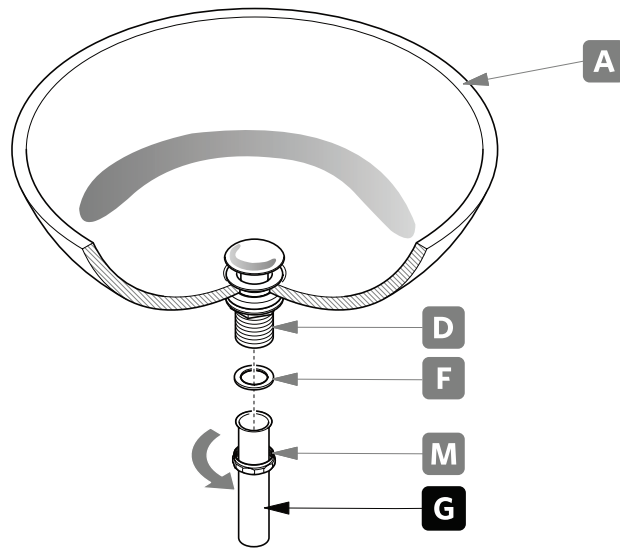
OR

**FOR SINKS WITH OVERFLOW**



# P-TRAP INSTALLATION

1. Install tail pipe (G).



2. Install P-trap (J).

