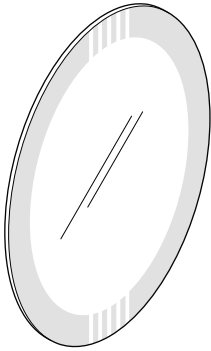
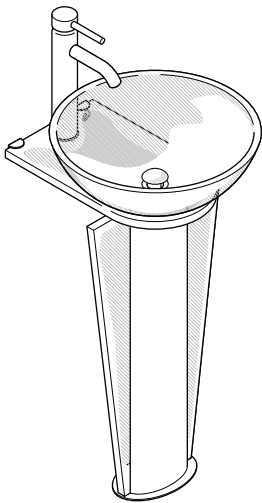
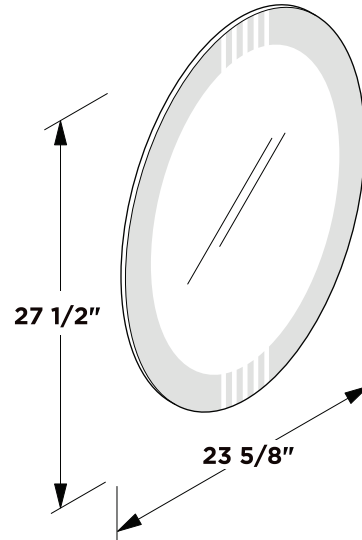




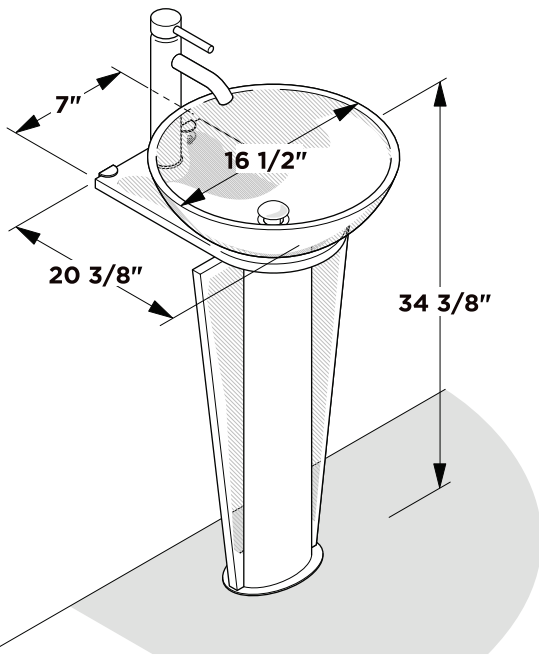
FVN1053  
VITALE  
INSTALLATION GUIDE



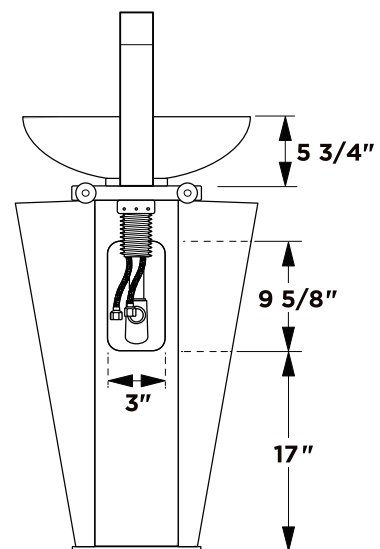
Mirror



Vanity Front

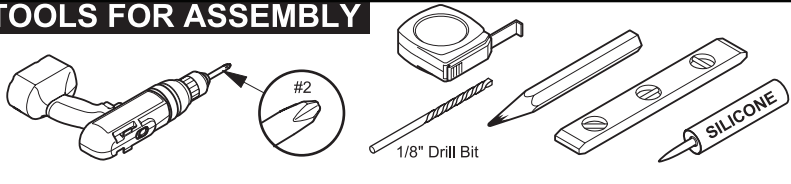


Vanity Back

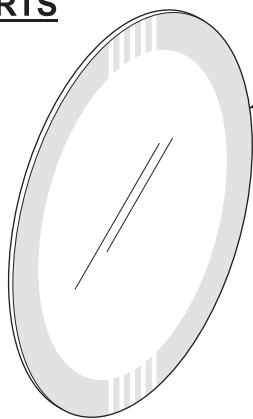


Note: All dimensions and specifications are approximate and subject to change without notice.

**TOOLS FOR ASSEMBLY**

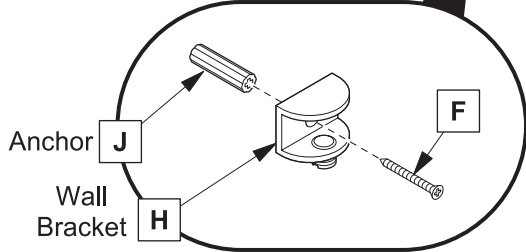


**PARTS**



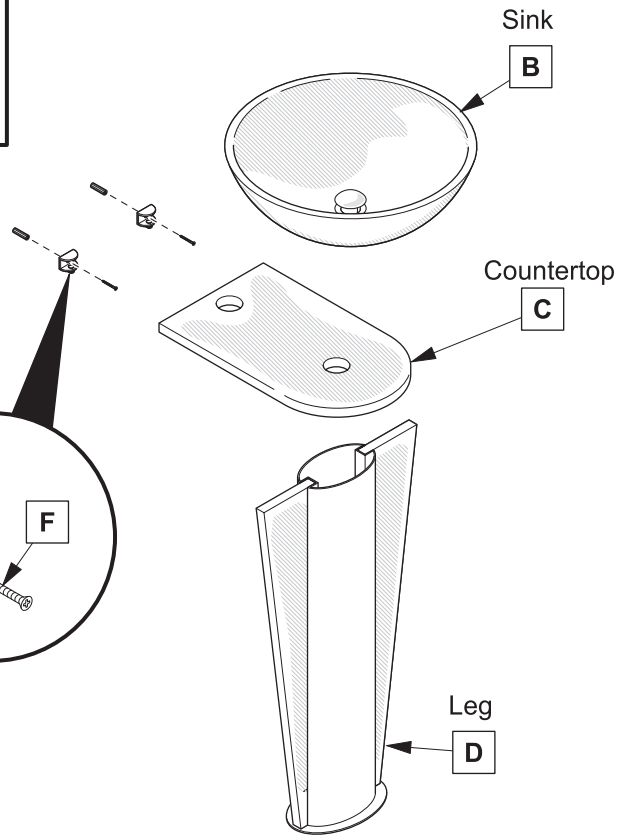
Mirror **A**

**NOTE:** Only use anchors (J) if stud (2"x4" frame) is not available.



Anchor **J**

Wall Bracket **H**



Sink **B**

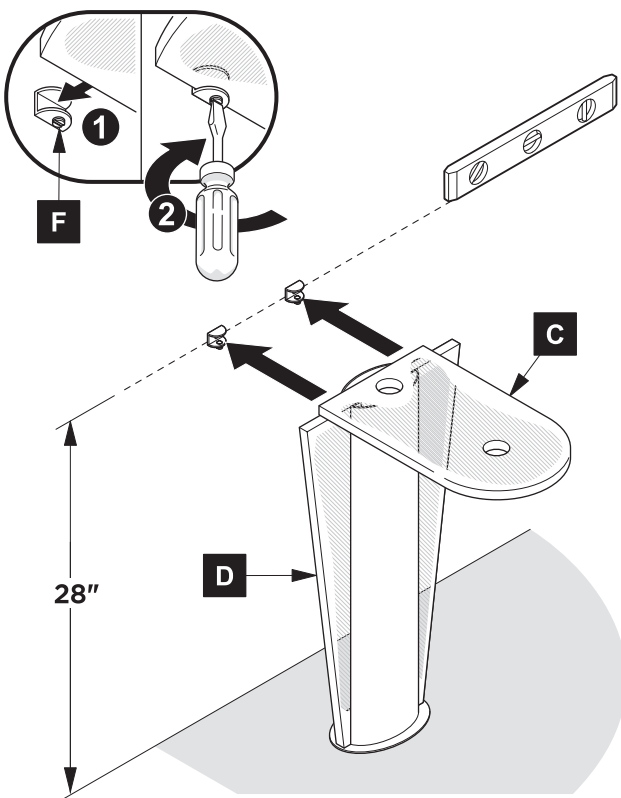
Countertop **C**

Leg **D**

**1** Install wall brackets (H)

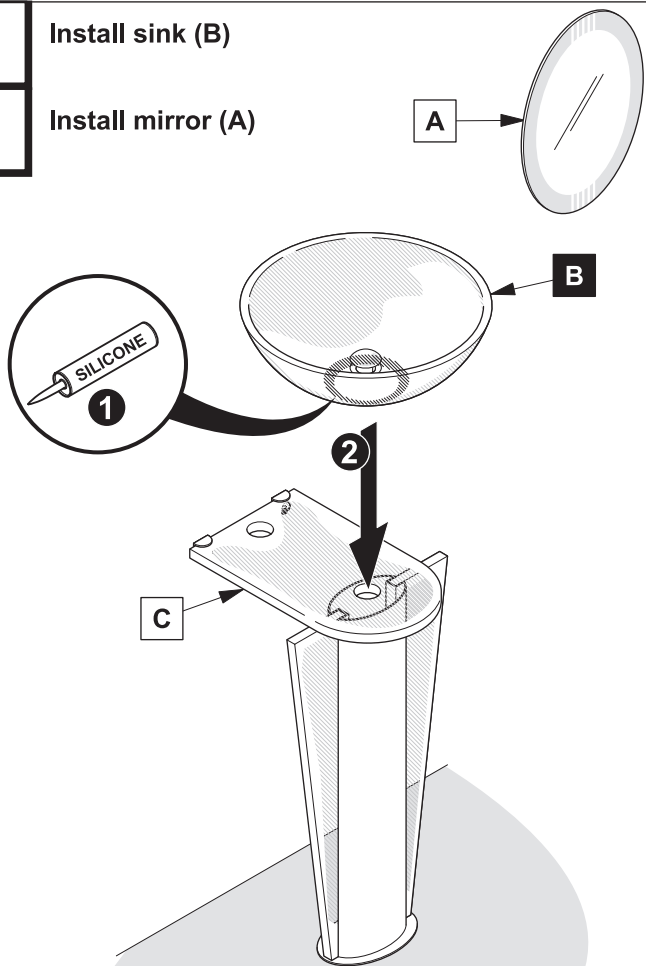
**IMPORTANT:** Consult an expert for the proper screws/bolts to use when attaching to various wall constructions. Screws provided **do not** attach to all wall construction types.

**2** Locate leg (D) and install countertop (C)



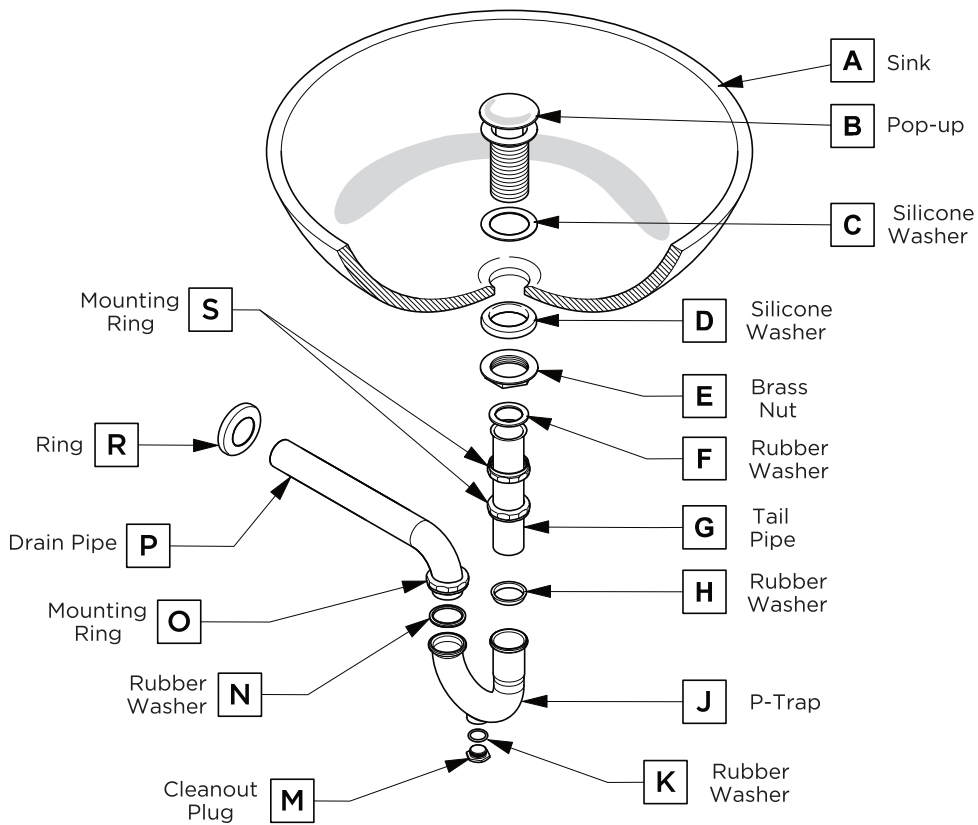
**3** Install sink (B)

**4** Install mirror (A)



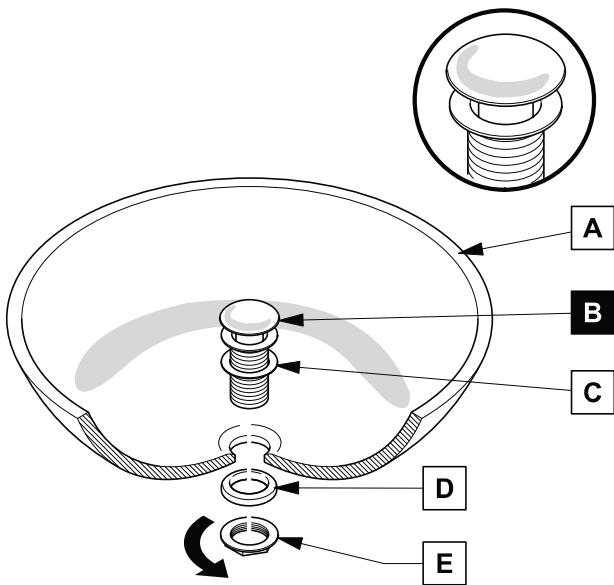
## P-TRAP AND POP-UP INSTALLATION INSTRUCTIONS

Your item may appear slightly different from the illustration



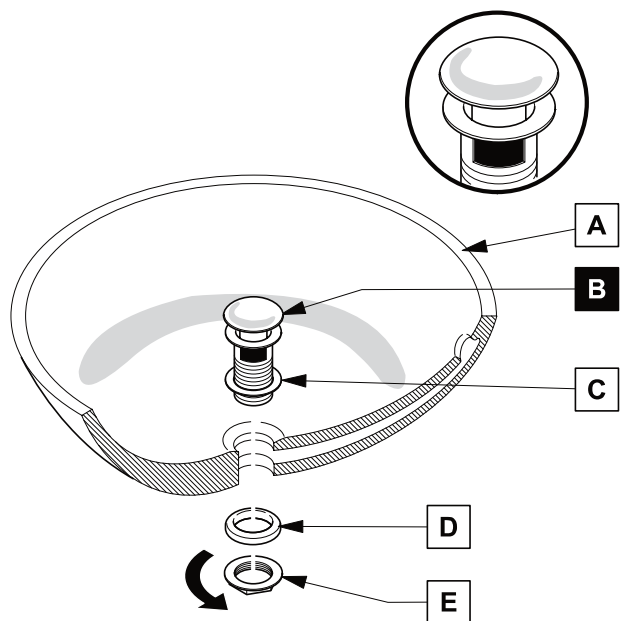
### POP-UP INSTALLATION

#### FOR SINKS WITHOUT OVERFLOW



OR

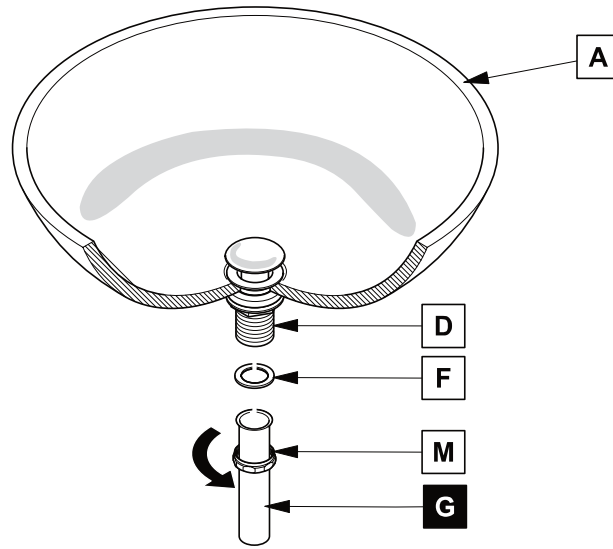
#### FOR SINKS WITH OVERFLOW



# P-TRAP INSTALLATION

**1**

**Install tail pipe (G)**



**2**

**Install p-trap (J)**

