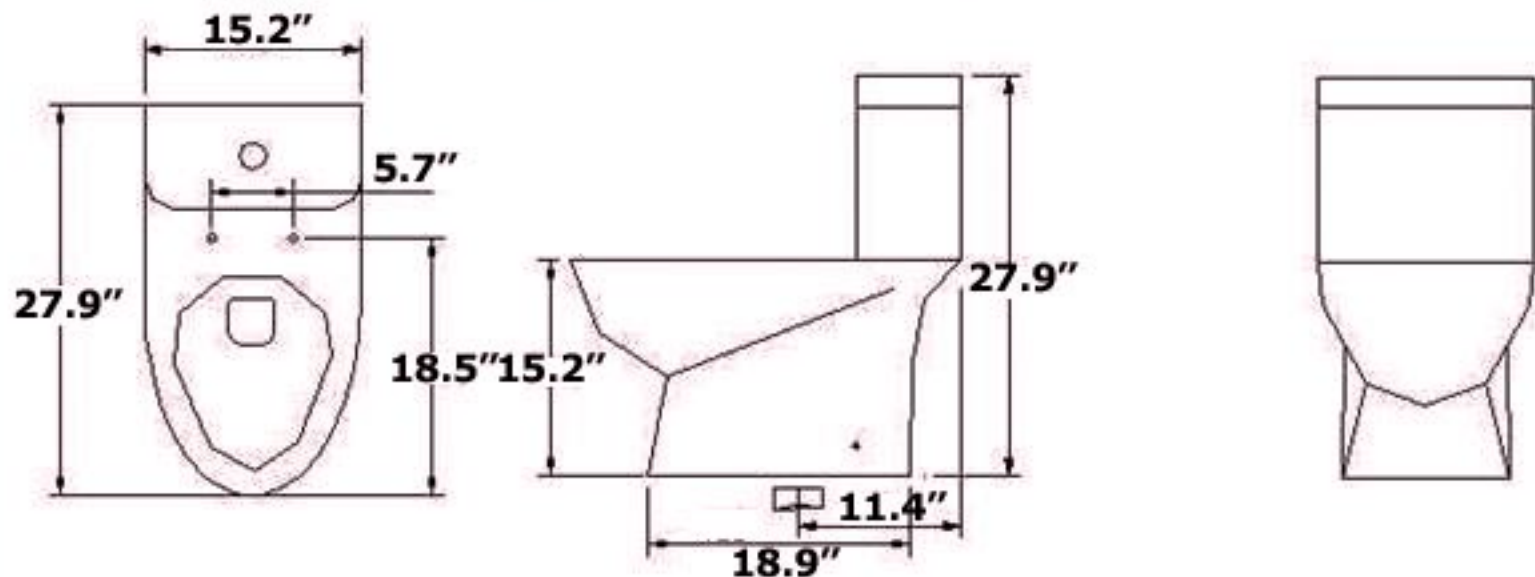


TB346M/L drawing



size: 27.9" x 15.2" x 27.9"  
S-trap: 11.8"/15.7" roughing-in  
use water: 3/6 L  
siphonic, one piece toilet  
outlet diameter: 3.3"