



# CAMILLE

## **INSTALLATION GUIDE**

### **FCB4336 - L**

## CONTENTS:

Cabinet..... FCB4336 - L..... PAGE 2

Top..... FCT2036 - L..... PAGE 5



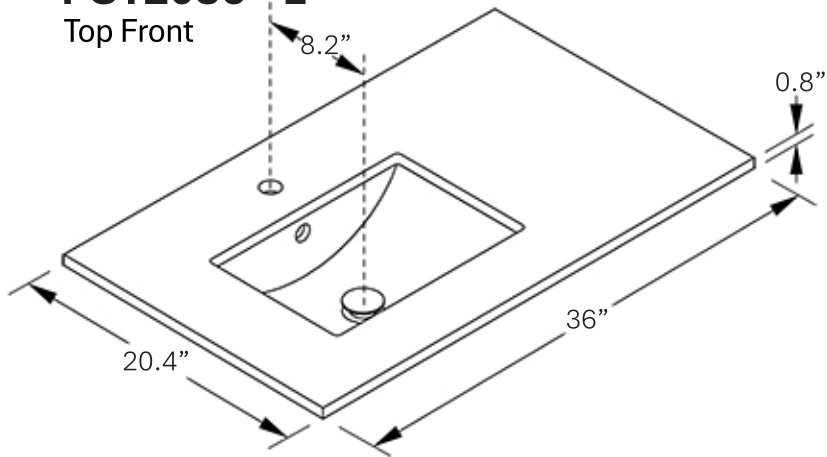
**FCB4336 - L**  
**CAMILLE**  
**INSTALLATION GUIDE**



**CONTENTS**

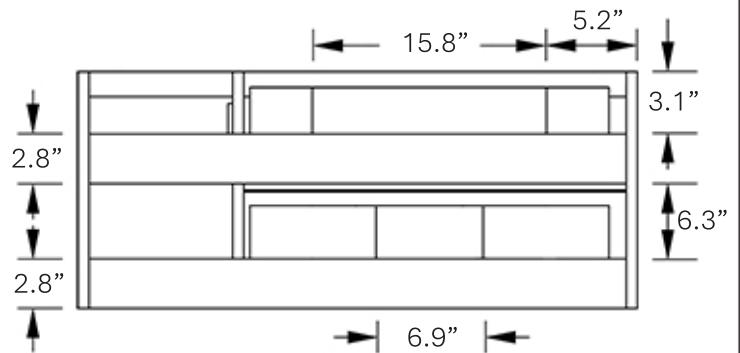
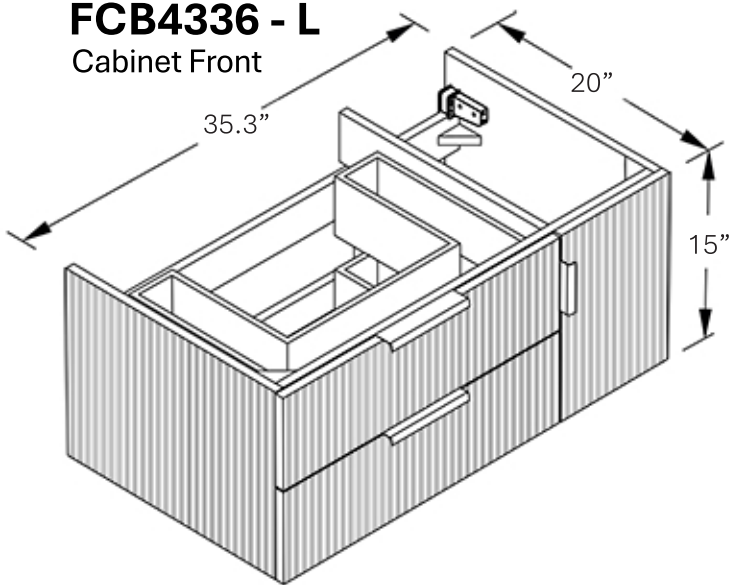
**FCT2036 - L**

Top Front



**FCB4336 - L**

Cabinet Front



**FCB4336 - L**

Cabinet Back

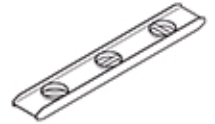
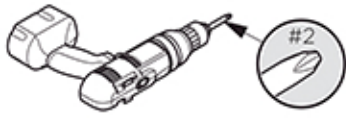
*>All dimensions & specifications are approximate and subject to change without notice.*



# FCB4336 - L CAMILLE INSTALLATION GUIDE



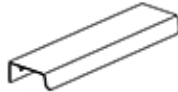
## TOOLS FOR ASSEMBLY



## HARDWARE



(H1) x 9



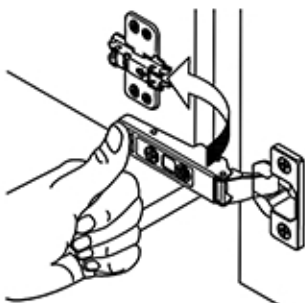
(H2) x 1



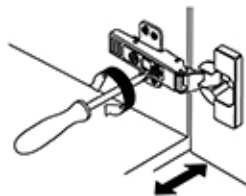
(H3) x 2

## ASSEMBLY INSTRUCTIONS

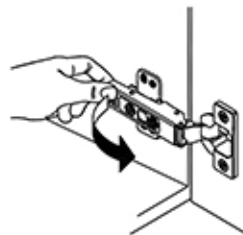
### 1 Adjustment of Door Hinge



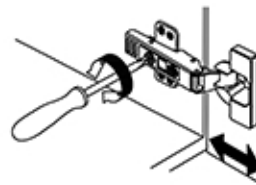
Install



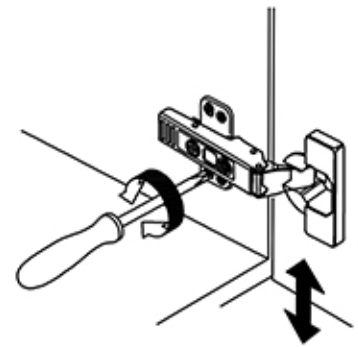
Adjust laterally



Remove



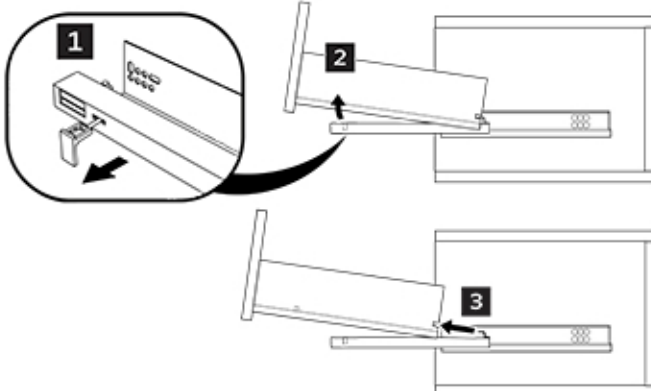
Adjust depth



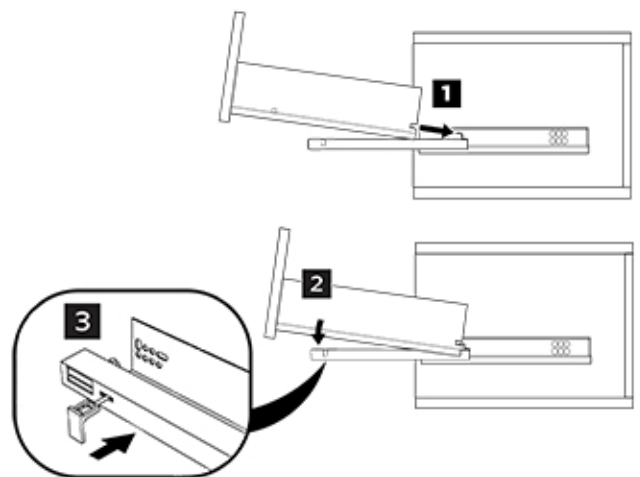
Adjust height

### 2 Drawer removal and installation

#### DRAWER REMOVAL



#### DRAWER INSTALLATION



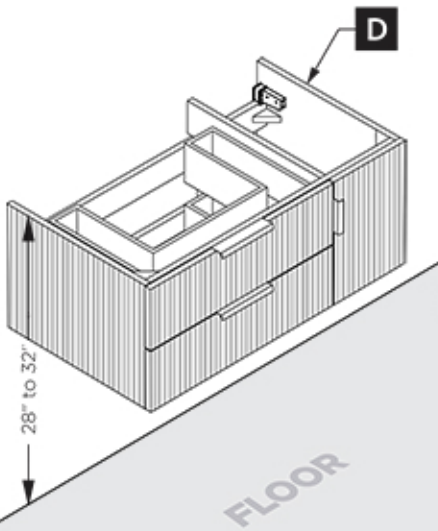


# FCB4336 - L CAMILLE INSTALLATION GUIDE

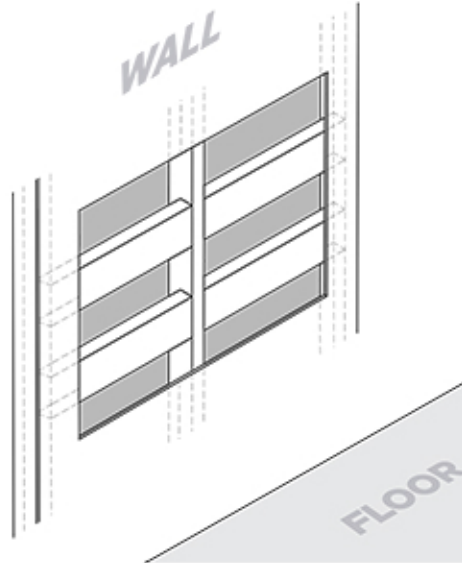


## CABINET INSTALLATION

**1** Place cabinet (D) in designated location and mark the bracket position on the wall.



**2** Verify that brackets will be secured to a stud or blocking board. Install blocking boards (2"x6" recommended) between studs at marked location as required.

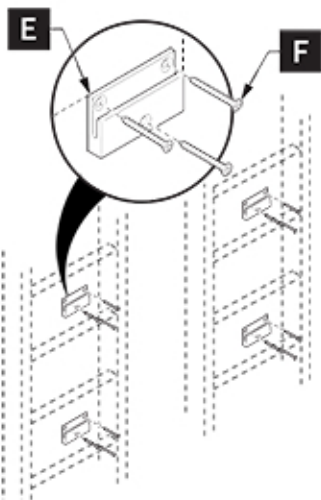
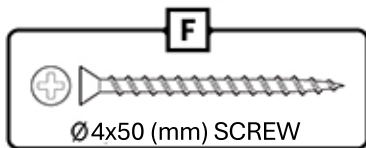


**3** Replace wall board over backing board opening.

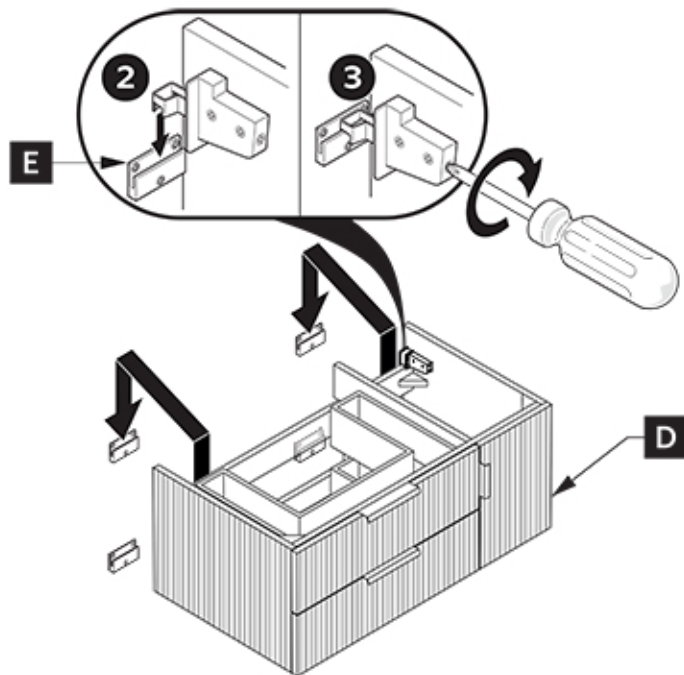


**IMPORTANT:** All brackets must be secured by screw to a stud or blocking boards. Consult an expert when adding backing boards and for proper screws/bolts to use when attaching to various constructions. Screws provided **do not** attach to a II construction types. Anchors are not required if brackets are installed in stud or blocking board.

**4** Attach the wall brackets (E) to the wall with the screws (F).



**5** Apply a bead of silicone on the back of the cabinet and hang cabinet (D) on the brackets.





# FCB4336 - L CAMILLE INSTALLATION GUIDE

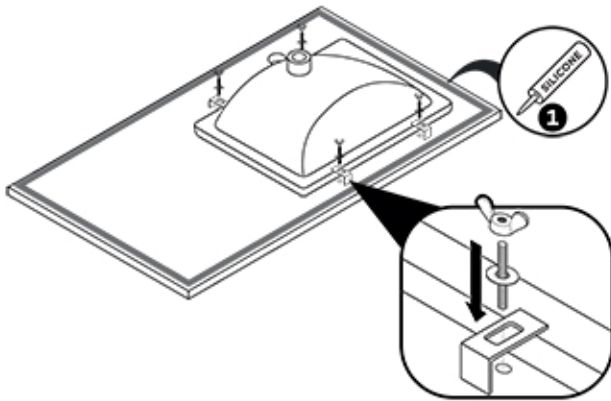


## CABINET INSTALLATION

6

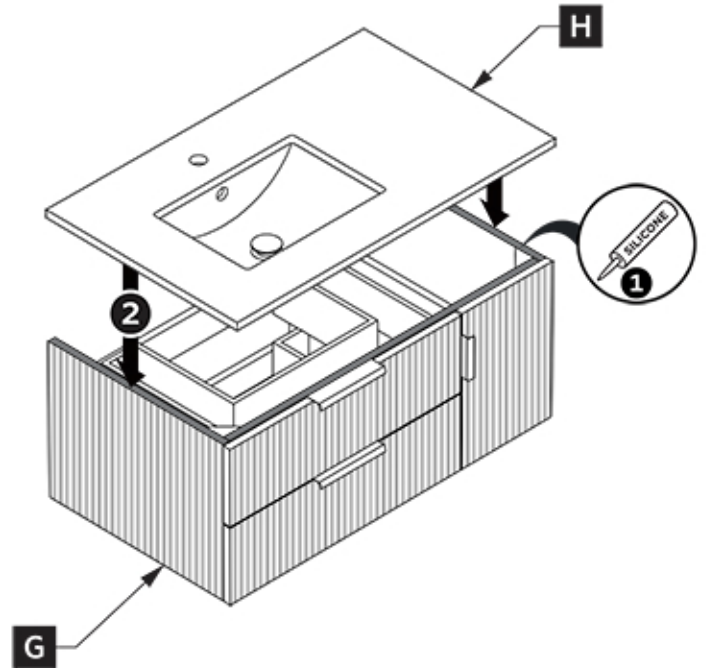
Flip the counter top upside down and attach sink to it using provided brackets & screws.

Apply silicone sealant bead between sink top and bottom side of vanity top.



7

Put a bead of silicone on the top of the cabinet (G) then place a sink (H) on the top of it. Apply silicone bead between vanity and vanity top.



8

Place handles into position for drawers and doors. Assemble with screws (H1)

