



SILAS

INSTALLATION GUIDE

FCB4260 - D

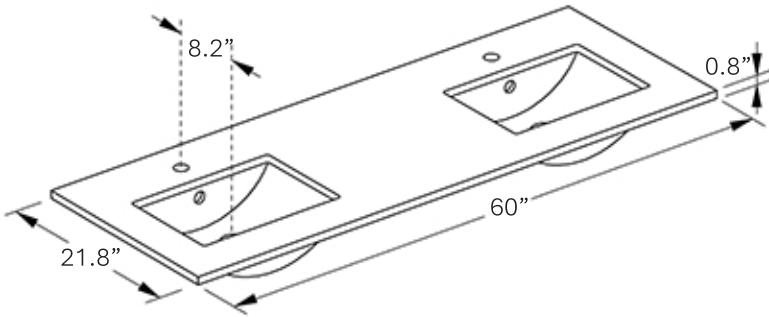
CONTENTS:

Cabinet.....	FCB4260 - D.....	PAGE 2
Top.....	FCT2460 - D.....	PAGE 4

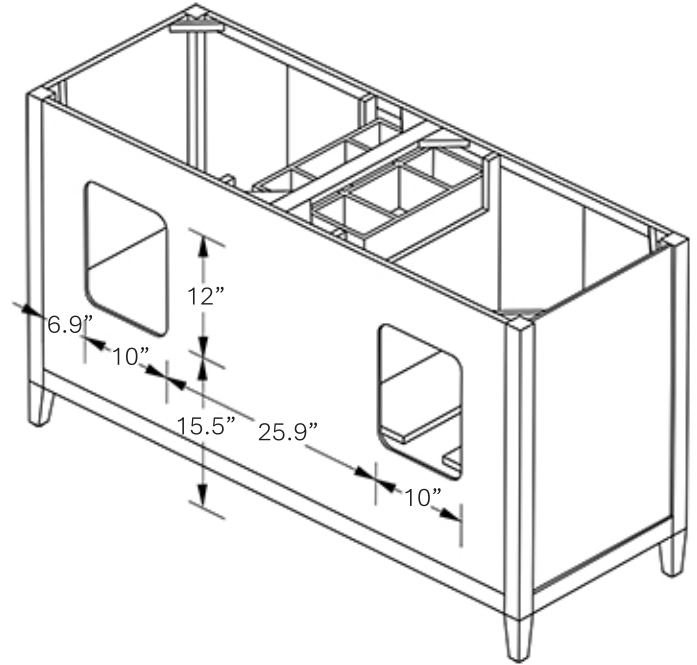


CONTENTS

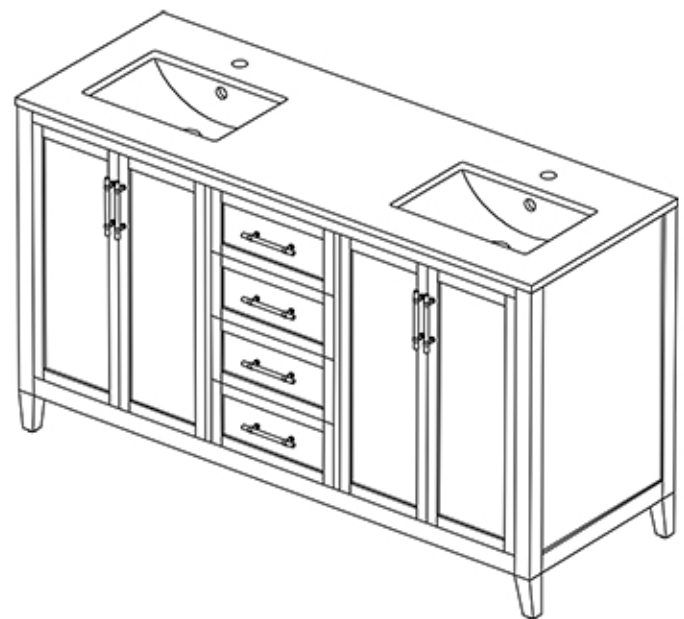
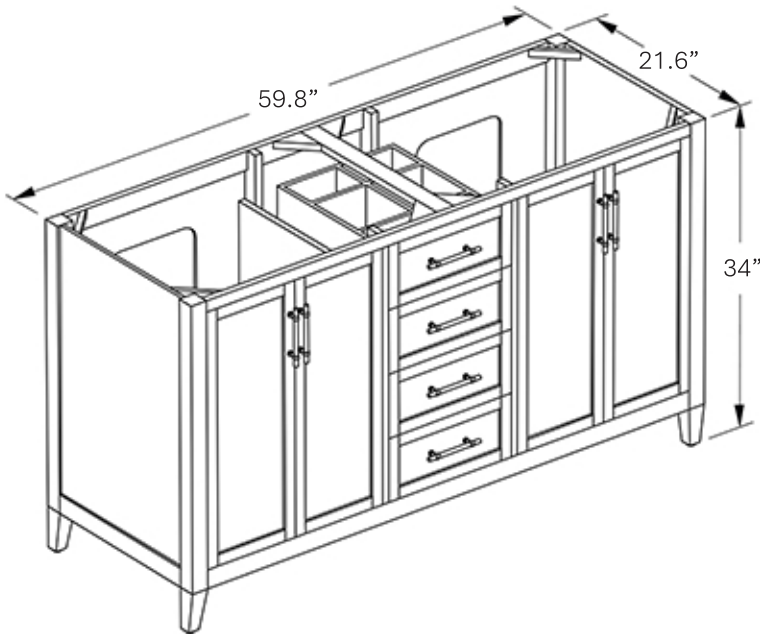
FCT2460 - D
 Top Front



FCB4260 - D
 Cabinet Back



FCB4260 - D
 Cabinet Front



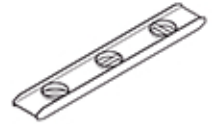
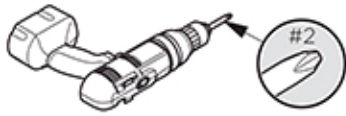
>All dimensions & specifications are approximate and subject to change without notice.



FCB4260 - D SILAS INSTALLATION GUIDE



TOOLS FOR ASSEMBLY



HARDWARE



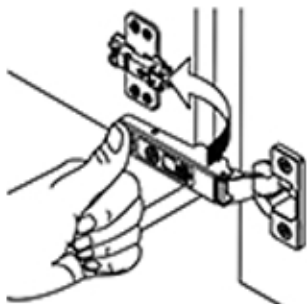
(H1) x 16



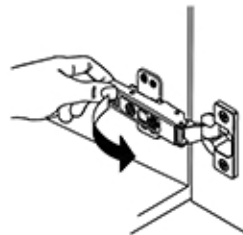
(H2) x 8

ASSEMBLY INSTRUCTIONS

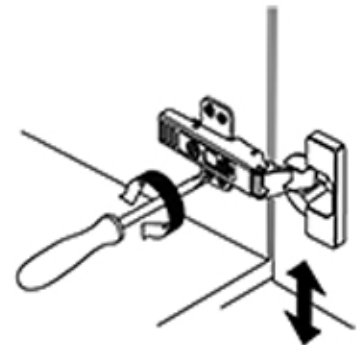
1 Adjustment of Door Hinge



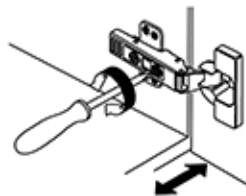
Install



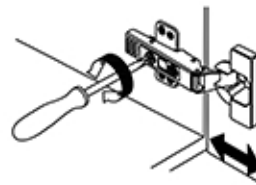
Remove



Adjust height



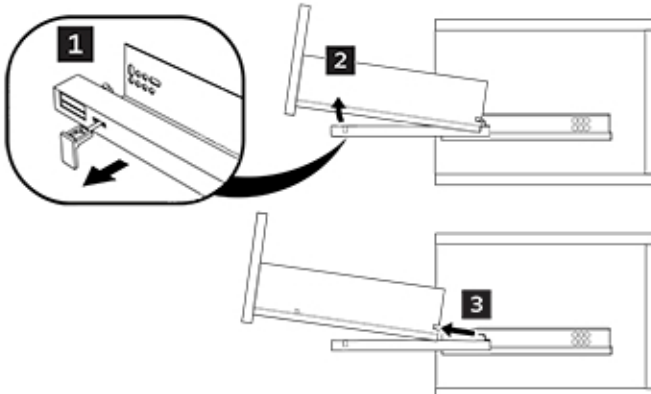
Adjust laterally



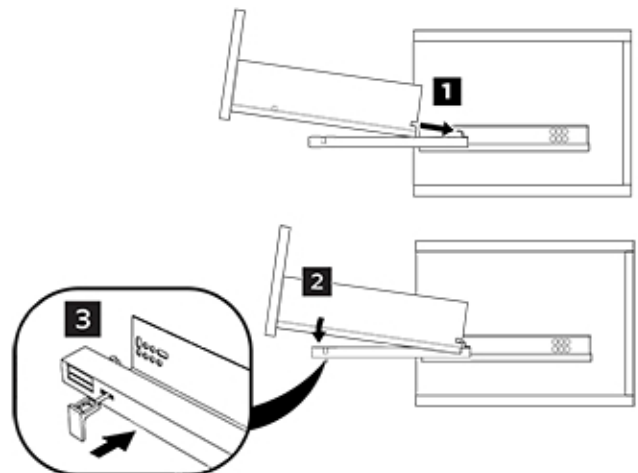
Adjust depth

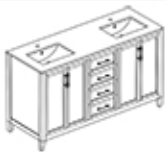
2 Drawer removal and installation

DRAWER REMOVAL



DRAWER INSTALLATION



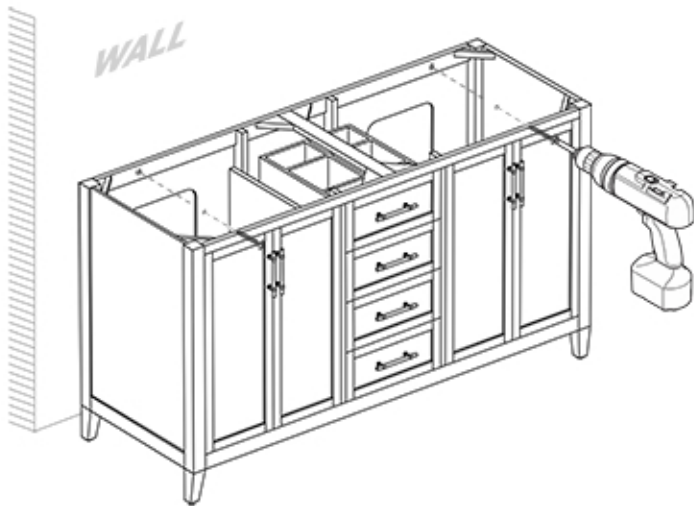


FCB4260 - D SILAS INSTALLATION GUIDE

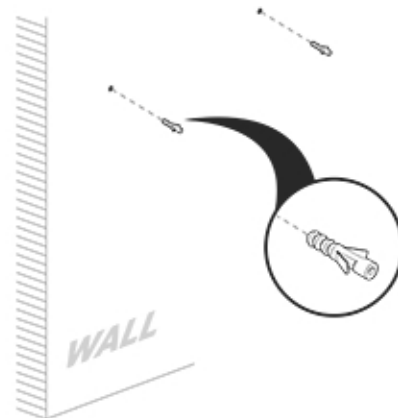


CABINET INSTALLATION

- 1** Mark anchor mounting hole locations on the wall as shown. Attach cabinet to the wall.

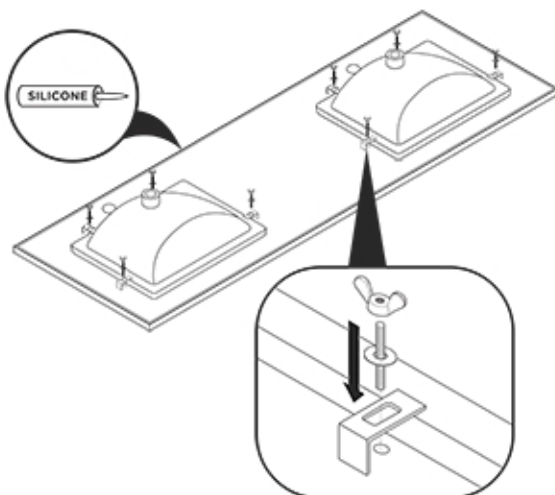


- 2** Drill holes in the wall and insert the anchors.



IMPORTANT: Consult an expert for the proper screws/bolts to use when attaching to various constructions. Screws provided do not attach to all wall construction types. Anchors are not required if brackets are installed in stud.

- 3** Flip counter top upside down and attach sink to it using provided brackets & screws. Apply silicone sealant bead between sink top and bottom side of vanity top.



- 4** Apply silicone to the top of the cabinet (A) and place counter top with sink (B) already attached to it. Apply silicone bead between vanity and vanity top.

