



# SILAS

## **INSTALLATION GUIDE**

### **FCB4248**

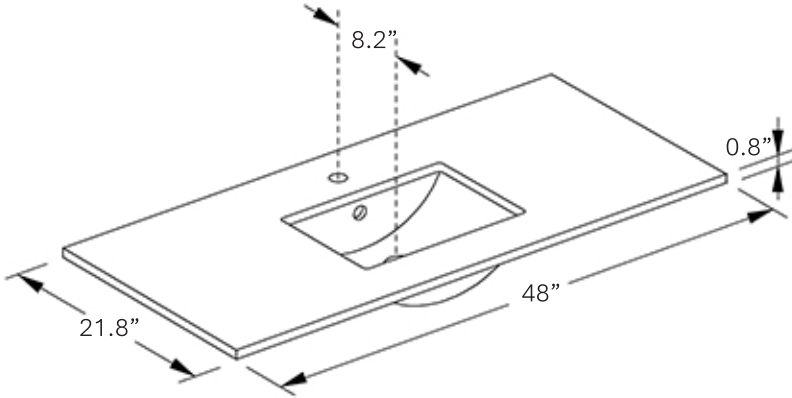
## CONTENTS:

Cabinet.....	FCB4248.....	PAGE 2
Top.....	FCT2448.....	PAGE 4

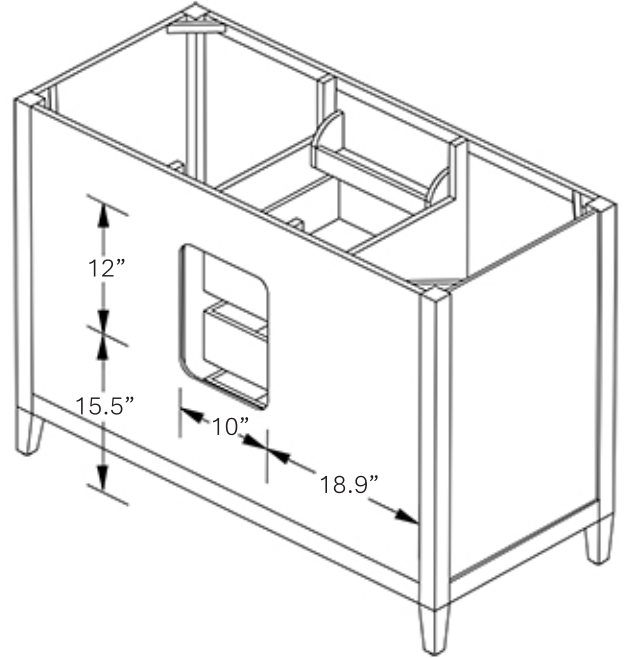


**CONTENTS**

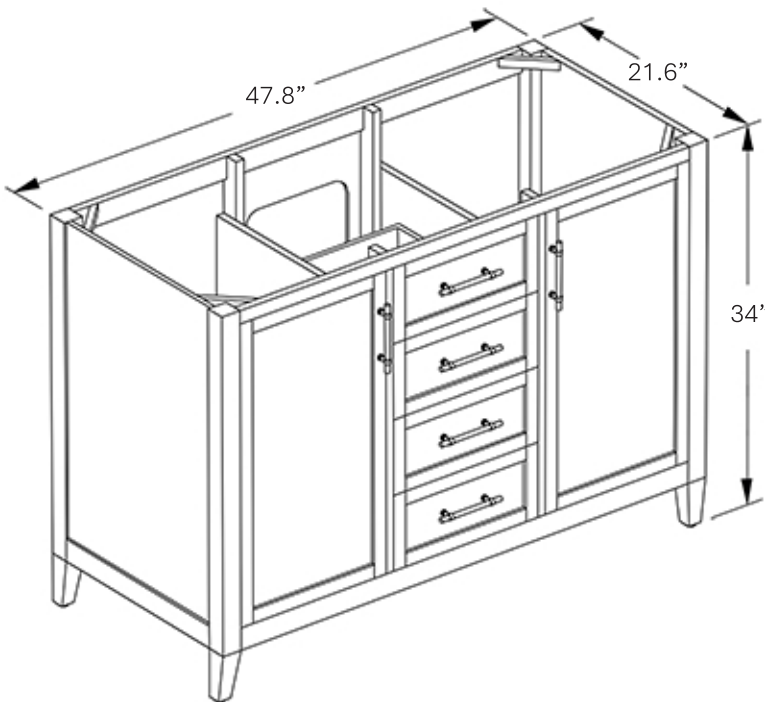
**FCT2448**  
 Top Front



**FCB4248**  
 Cabinet Back



**FCB4248**  
 Cabinet Front



>All dimensions & specifications are approximate and subject to change without notice.

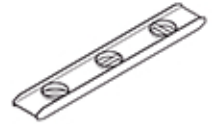
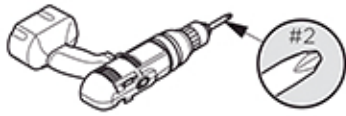




# FCB4248 SILAS INSTALLATION GUIDE



## TOOLS FOR ASSEMBLY



## HARDWARE



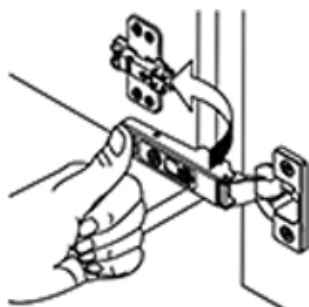
**(H1) x 12**



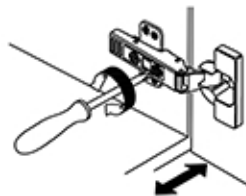
**(H2) x 6**

## ASSEMBLY INSTRUCTIONS

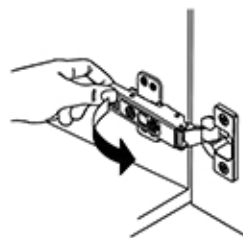
### 1 Adjustment of Door Hinge



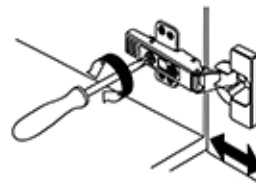
Install



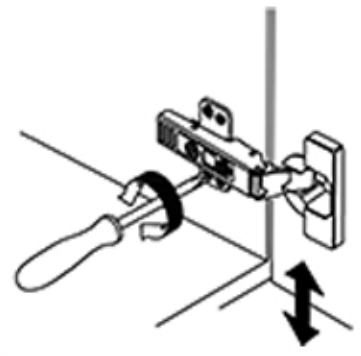
Adjust laterally



Remove



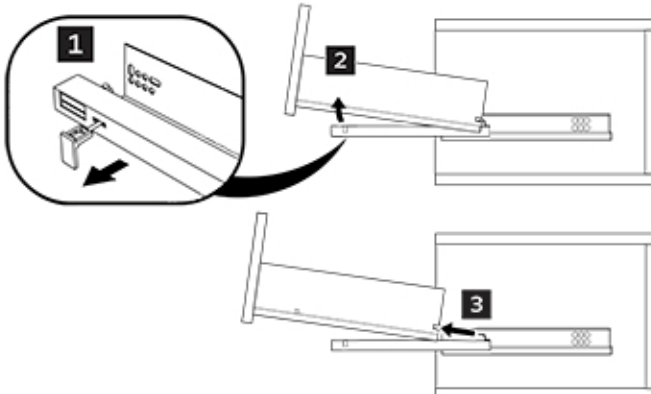
Adjust depth



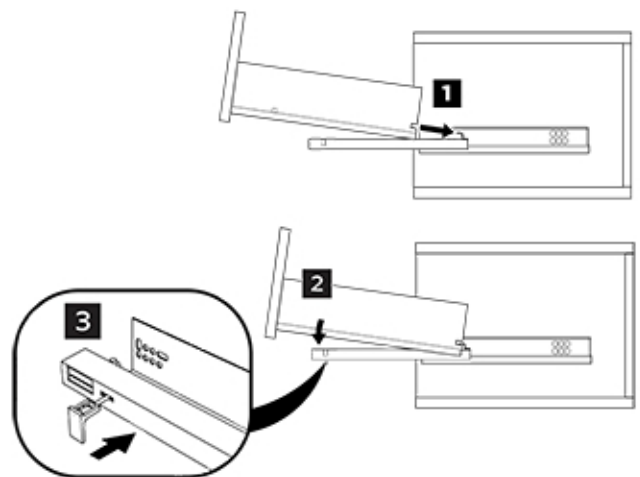
Adjust height

### 2 Drawer removal and installation

#### DRAWER REMOVAL



#### DRAWER INSTALLATION



FCB4248

SILAS

INSTALLATION GUIDE

PAGE 3



# FCB4248 SILAS INSTALLATION GUIDE

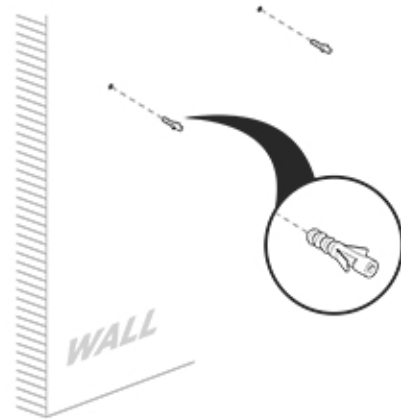


## CABINET INSTALLATION

- 1** Mark anchor mounting hole locations on the wall as shown. Attach cabinet to the wall.

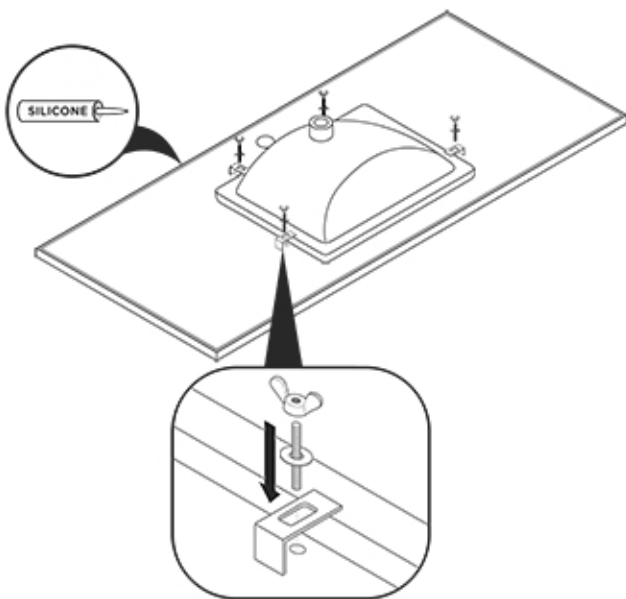


- 2** Drill holes in the wall and insert the anchors.

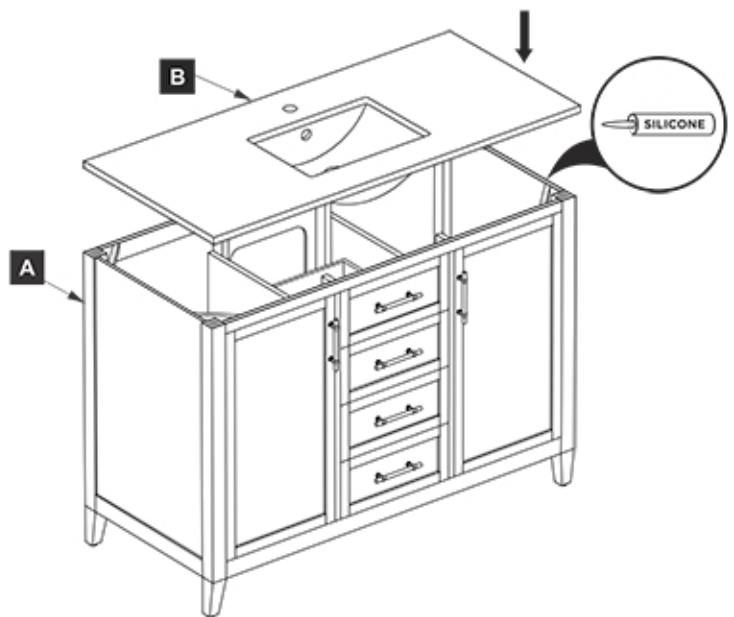


**IMPORTANT:** Consult an expert for the proper screws/bolts to use when attaching to various constructions. Screws provided do not attach to all wall construction types. Anchors are not required if brackets are installed in stud.

- 3** Flip counter top upside down and attach sink to it using provided brackets & screws. Apply silicone sealant bead between sink top and bottom side of vanity top.



- 4** Apply silicone to the top of the cabinet (A) and place counter top with sink (B) already attached to it. Apply silicone bead between vanity and vanity top.



FCB4248

SILAS

INSTALLATION GUIDE

PAGE 4