



SILAS

INSTALLATION GUIDE

FCB4230

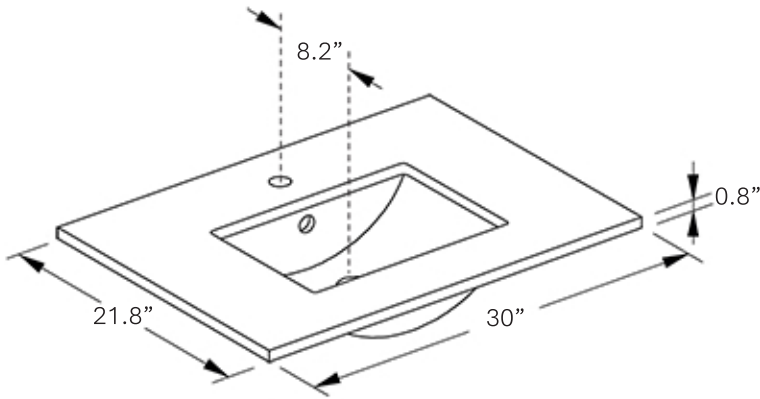
CONTENTS:

Cabinet.....	FCB4230.....	PAGE 2
Top.....	FCT2430.....	PAGE 4

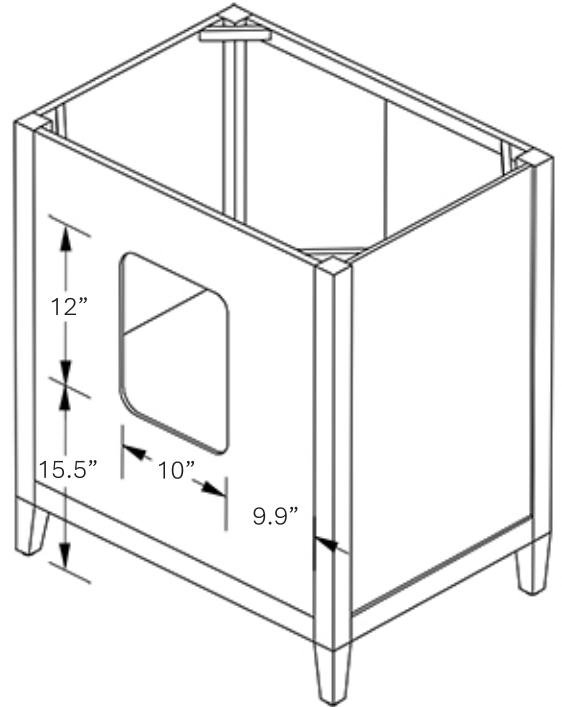


CONTENTS

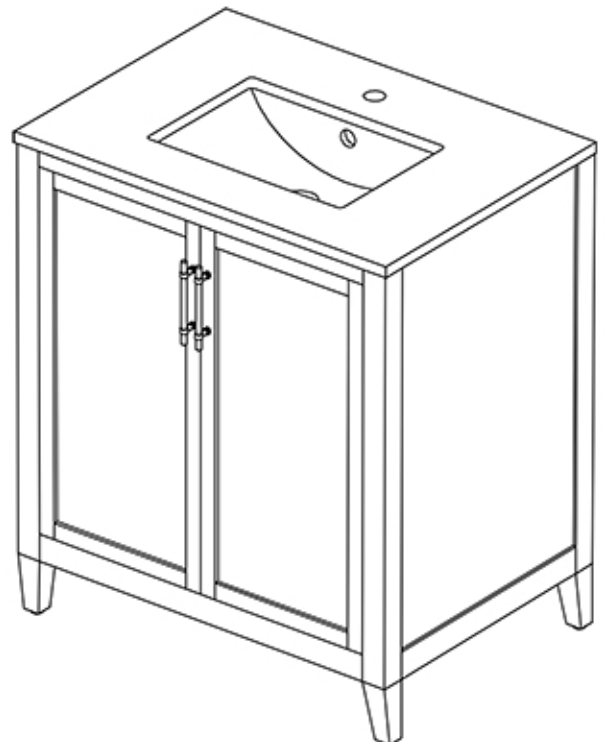
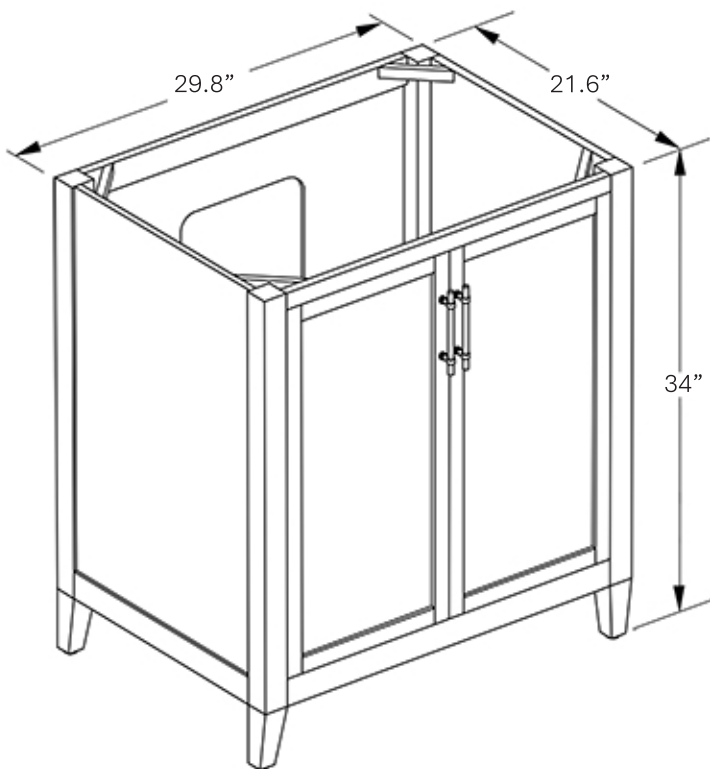
FCT2430
 Top Front



FCB4230
 Cabinet Back



FCB4230
 Cabinet Front



>All dimensions & specifications are approximate and subject to change without notice.

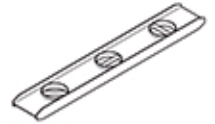
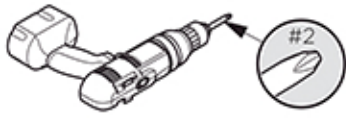




FCB4230 SILAS INSTALLATION GUIDE



TOOLS FOR ASSEMBLY



HARDWARE



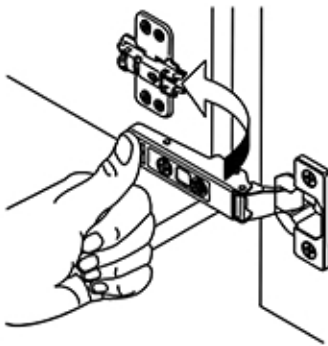
(H1) x 4



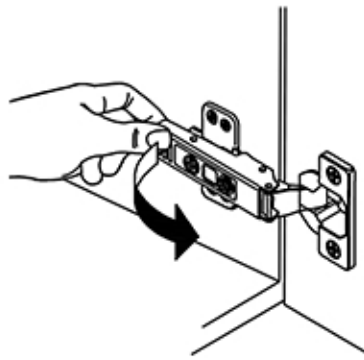
(H2) x 2

ASSEMBLY INSTRUCTIONS

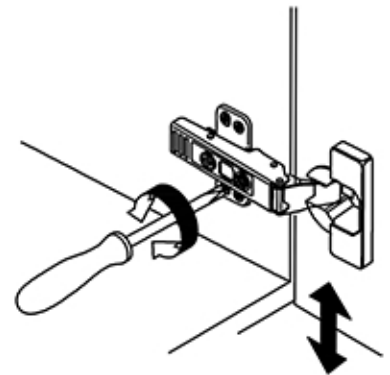
Adjustment of Door Hinge:



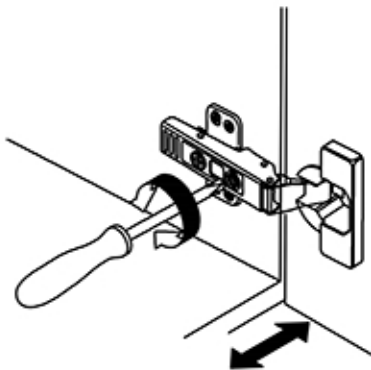
Install



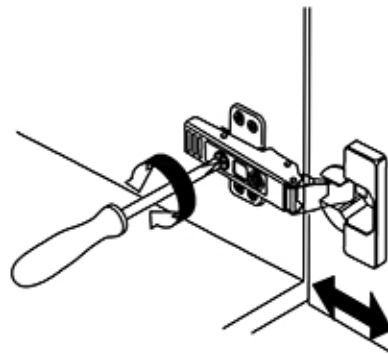
Remove



Adjust height



Adjust laterally



Adjust depth



FCB4230

SILAS

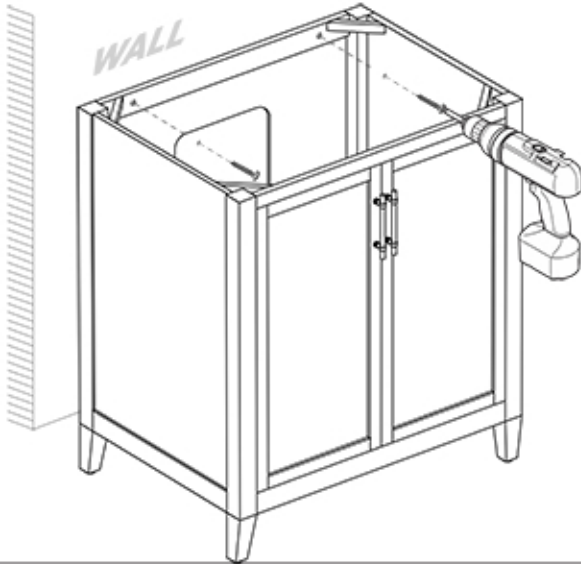
INSTALLATION GUIDE

PAGE 3

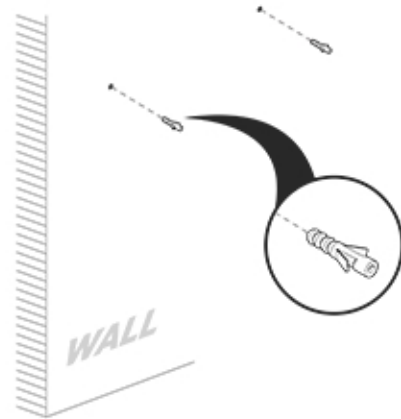


CABINET INSTALLATION

- 1** Mark anchor mounting hole locations on the wall as shown. Attach cabinet to the wall.

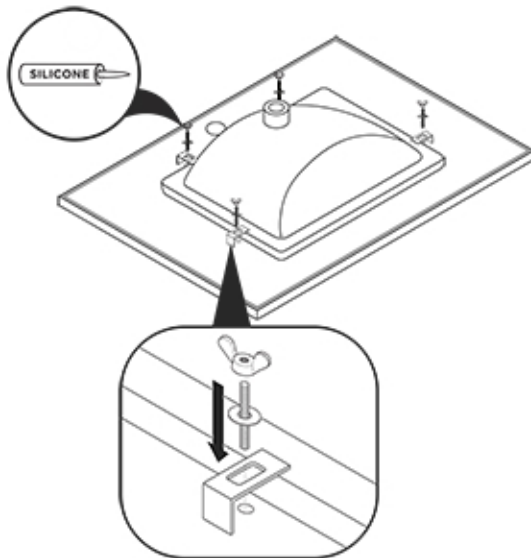


- 2** Drill holes in the wall and insert the anchors.



IMPORTANT: Consult an expert for the proper screws/bolts to use when attaching to various constructions. Screws provided do not attach to all wall construction types. Anchors are not required if brackets are installed in stud.

- 3** Flip counter top upside down and attach sink to it using provided brackets & screws. Apply silicone sealant bead between sink top and bottom side of vanity top.



- 4** Apply silicone to the top of the cabinet (A) and place counter top with sink (B) already attached to it. Apply silicone bead between vanity and vanity top.

