



WELLINGTON

INSTALLATION GUIDE

FCB4048

CONTENTS:

Cabinet.....	FCB4048.....	PAGE 2
Top.....	FCT2448.....	PAGE 4

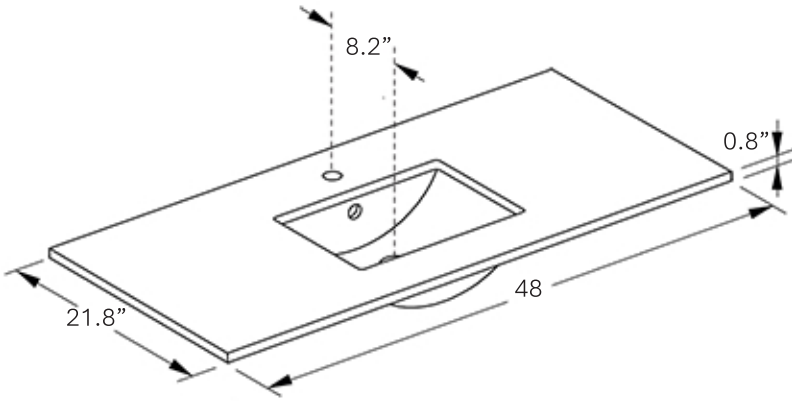


FCB4048
WELLINGTON
INSTALLATION GUIDE

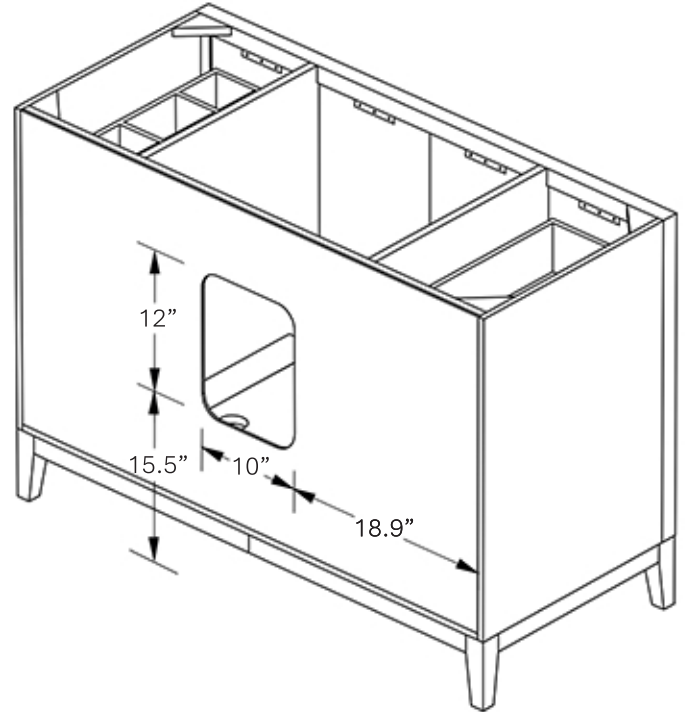


CONTENTS

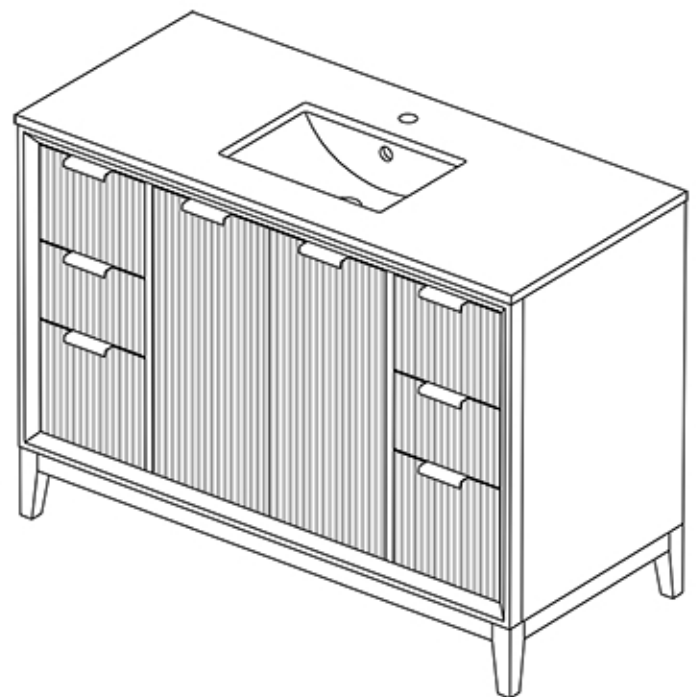
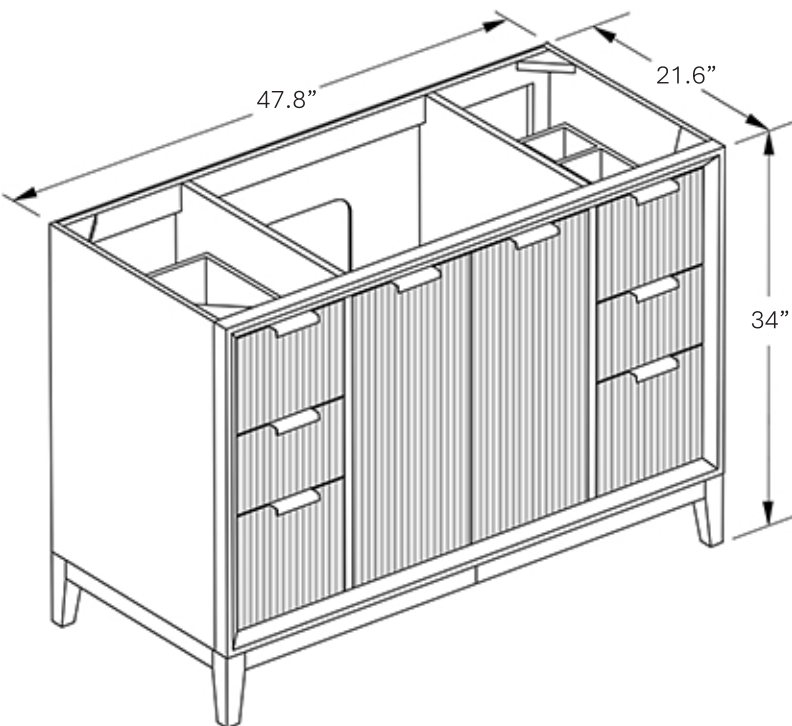
FCT2448
 Top Front



FCB4048
 Cabinet Back



FCB4048
 Cabinet Front



>All dimensions & specifications are approximate and subject to change without notice.

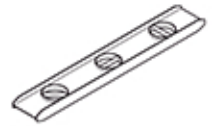
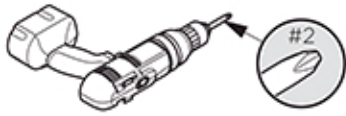




FCB4048 WELLINGTON INSTALLATION GUIDE



TOOLS FOR ASSEMBLY



HARDWARE



(H1) x 24

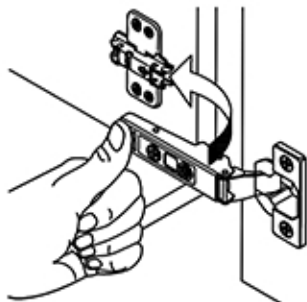


(H2) x 8

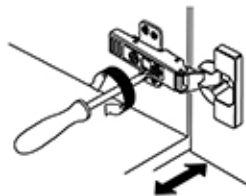
ASSEMBLY INSTRUCTIONS

1

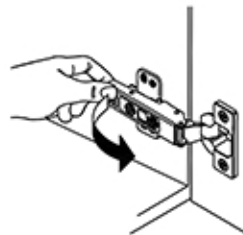
Adjustment of Door Hinge



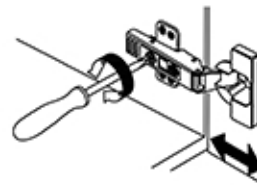
Install



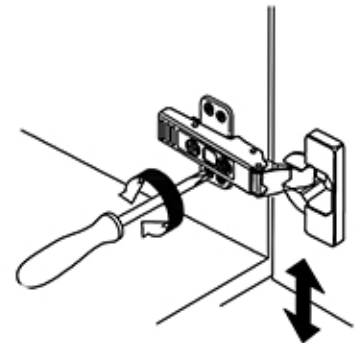
Adjust laterally



Remove



Adjust depth

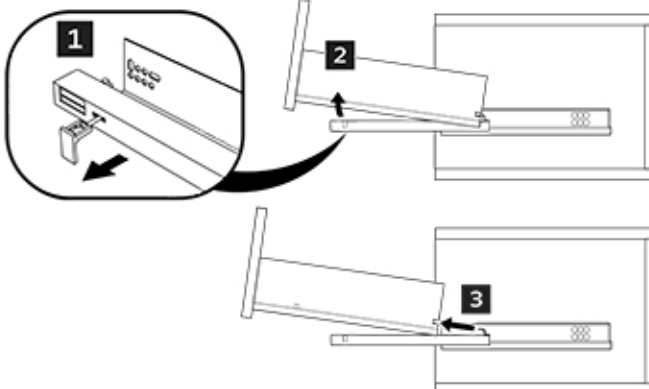


Adjust height

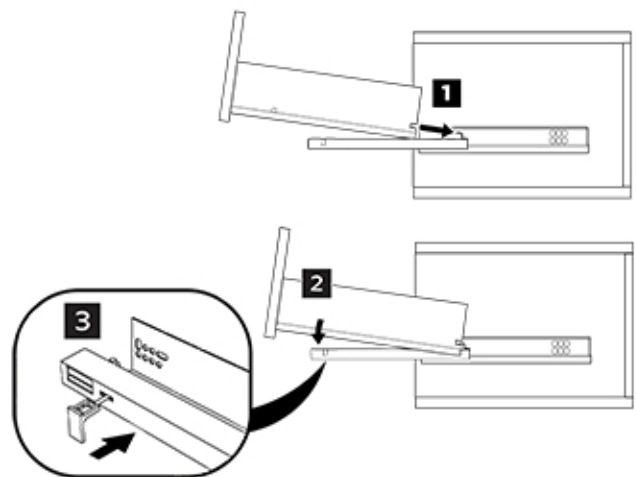
2

Drawer removal and installation

DRAWER REMOVAL



DRAWER INSTALLATION



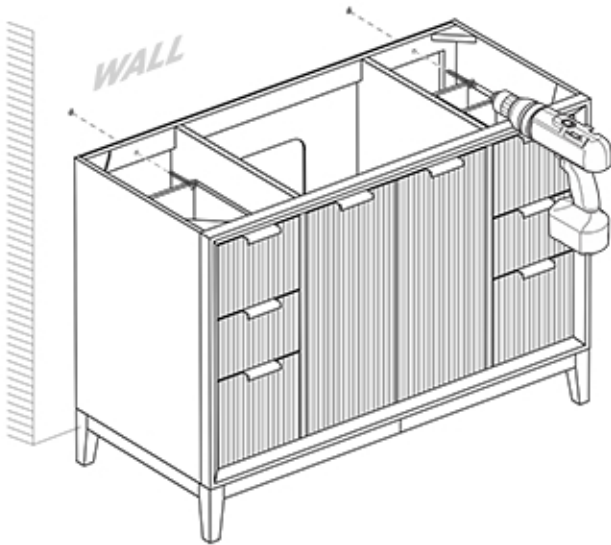


FCB4048 WELLINGTON INSTALLATION GUIDE

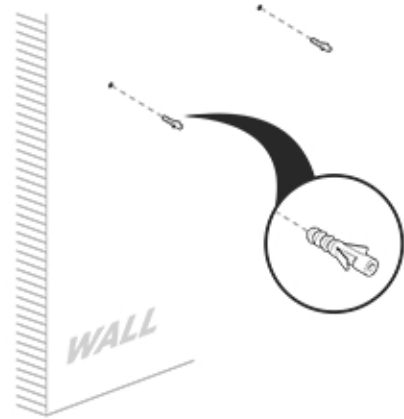


CABINET INSTALLATION

- 1** Mark anchor mounting hole locations on the wall as shown. Attach cabinet to the wall.

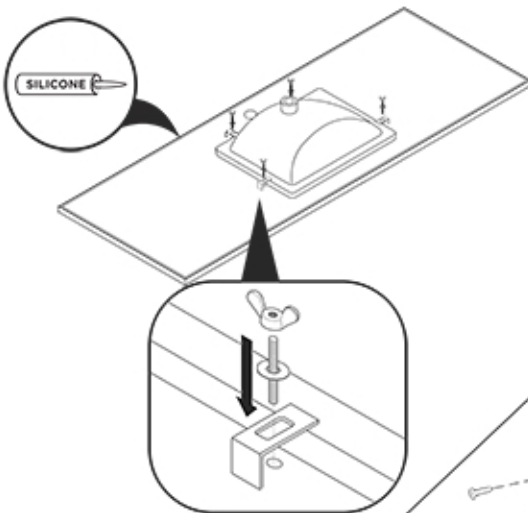


- 2** Drill holes in the wall and insert the anchors.

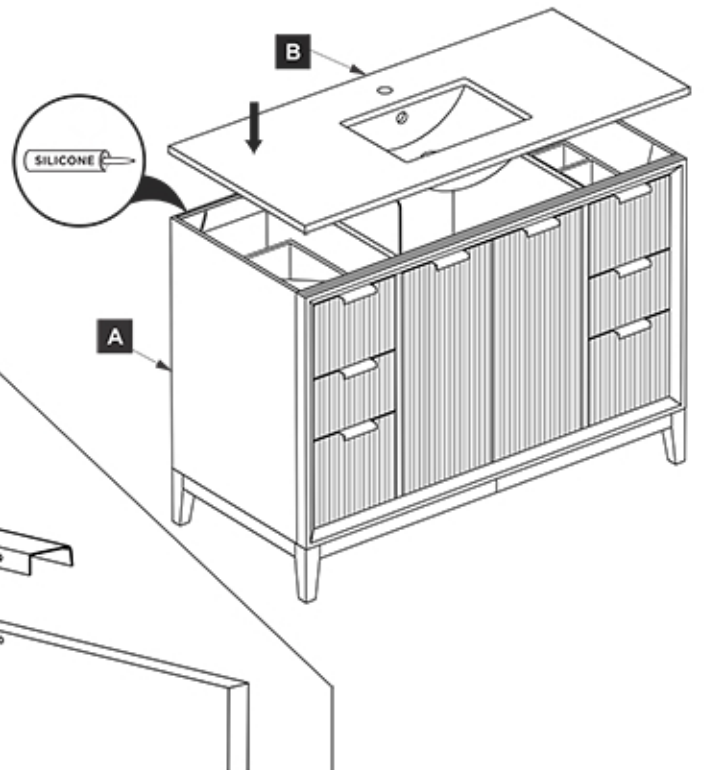


IMPORTANT: Consult an expert for the proper screws/bolts to use when attaching to various constructions. Screws provided do not attach to all wall construction types. Anchors are not required if brackets are installed in stud.

- 3** Flip counter top upside down and attach sink to it using provided brackets & screws. Apply silicone sealant bead between sink top and bottom side of vanity top.



- 4** Apply silicone to the top of the cabinet (A) and place counter top with sink (B) already attached to it. Apply silicone bead between vanity and vanity top.



- 5** Place handles into position for drawers and doors. Assemble with screws (H1)



FCB4048

WELLINGTON | INSTALLATION GUIDE

PAGE 4