



# CORA

## **INSTALLATION GUIDE**

### **FCB4530**

## CONTENTS:

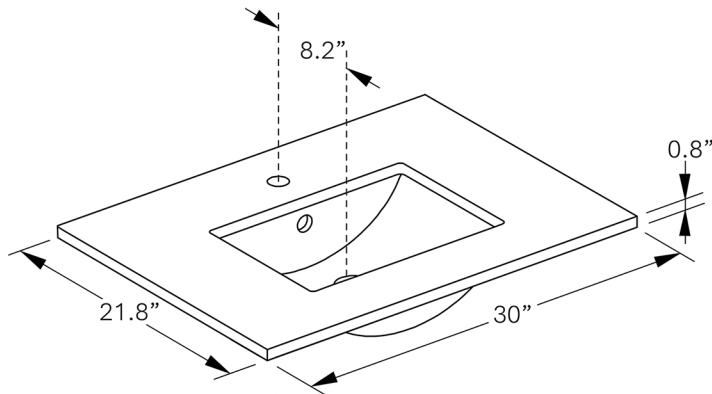
|              |              |        |
|--------------|--------------|--------|
| Cabinet..... | FCB4530..... | PAGE 2 |
| Top.....     | FCT2430..... | PAGE 4 |



**CONTENTS**

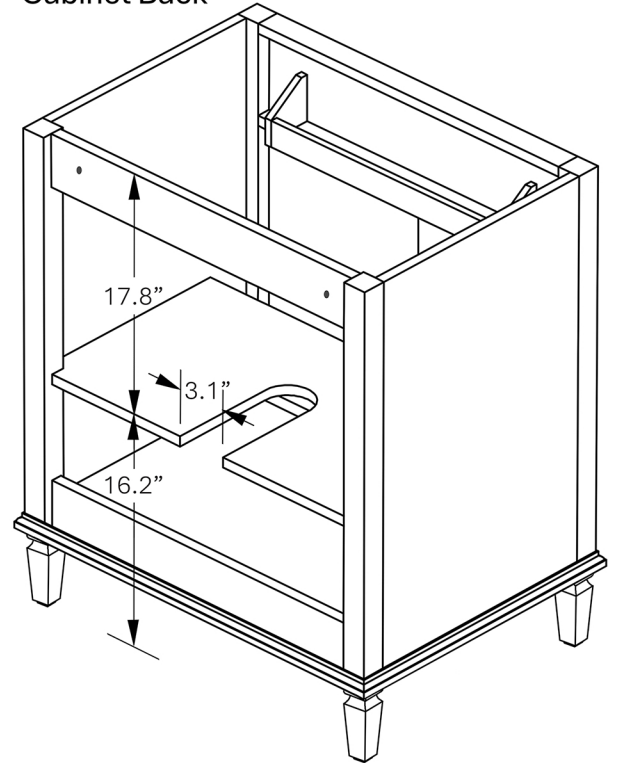
**FCT2430**

Top Front



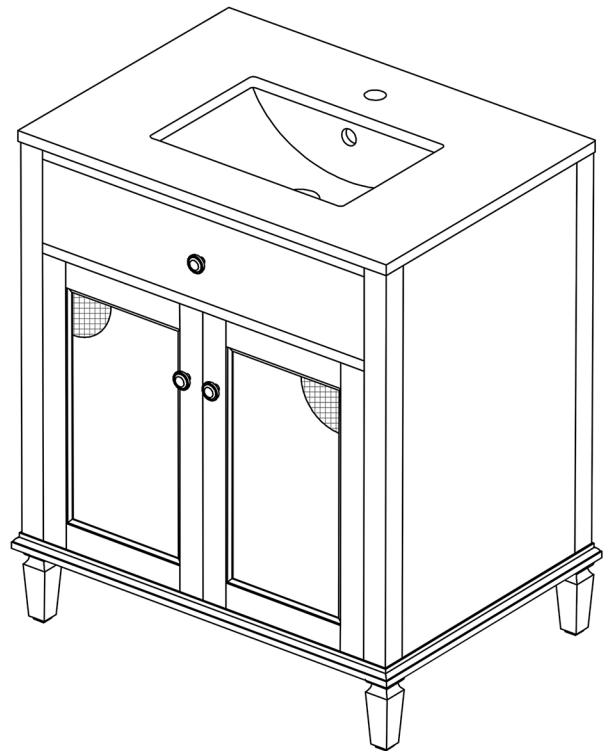
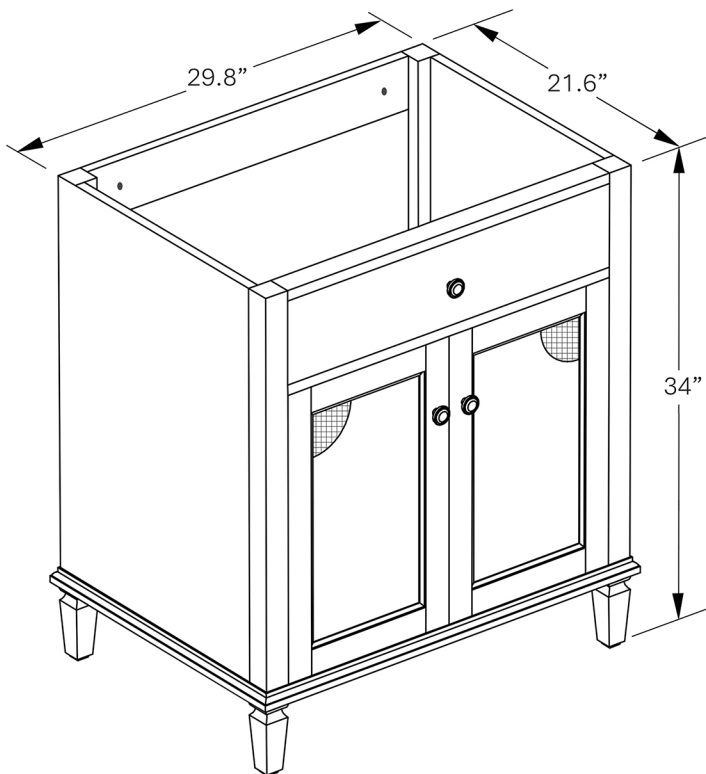
**FCB4530**

Cabinet Back



**FCB4530**

Cabinet Front



>All dimensions & specifications are approximate and subject to change without notice.

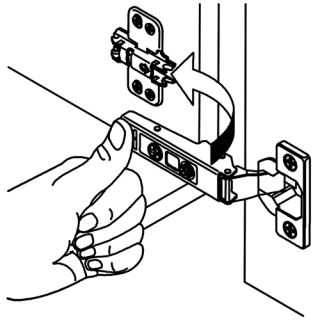




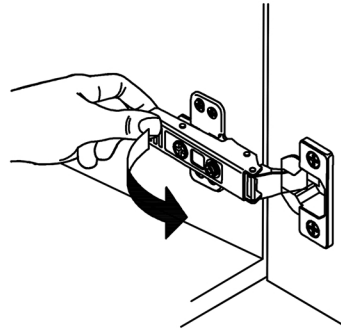
## ASSEMBLY INSTRUCTIONS

**1**

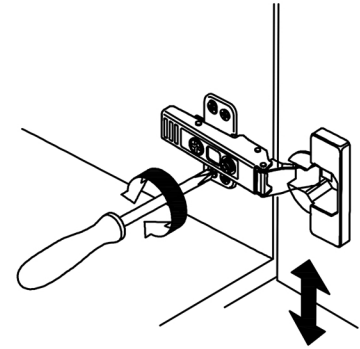
### Adjustment of Door Hinge



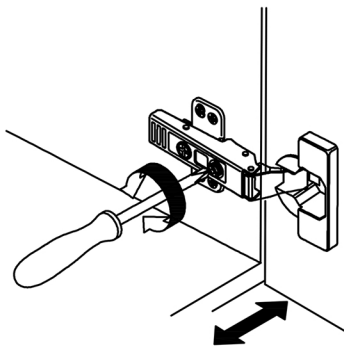
Install



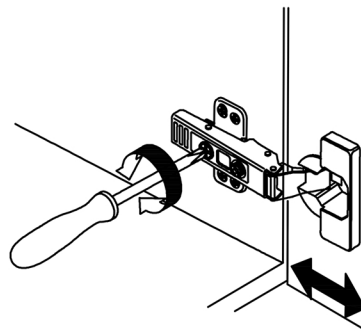
Remove



Adjust height



Adjust laterally



Adjust depth

*>All dimensions & specifications are approximate and subject to change without notice.*

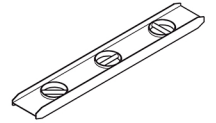
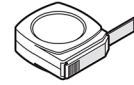
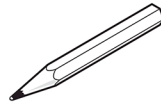
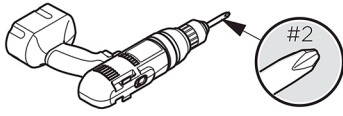




# FCB4530 CORA INSTALLATION GUIDE

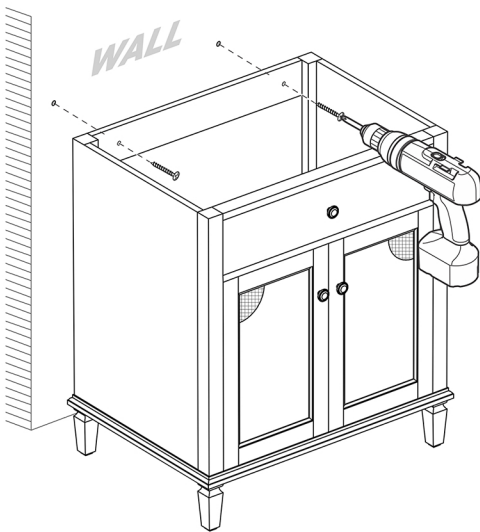


## TOOLS FOR ASSEMBLY

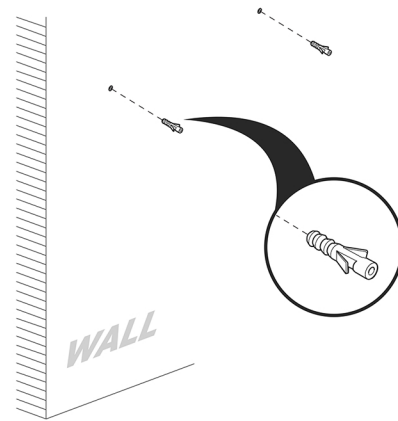


## CABINET INSTALLATION

- 1** Mark anchor mounting hole locations on the wall as shown. Attach cabinet to the wall.

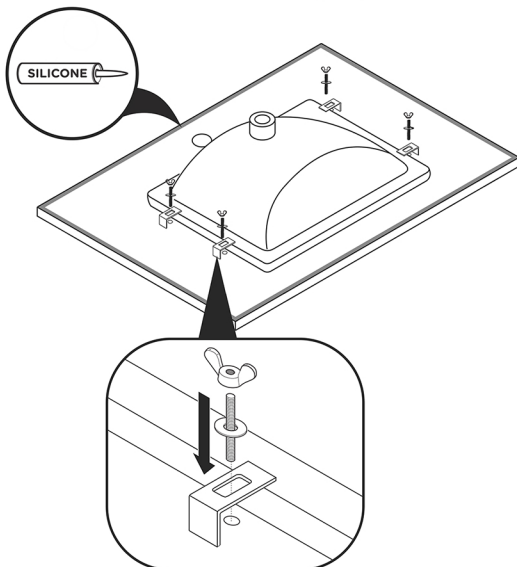


- 2** Drill holes in the wall and insert the anchors.

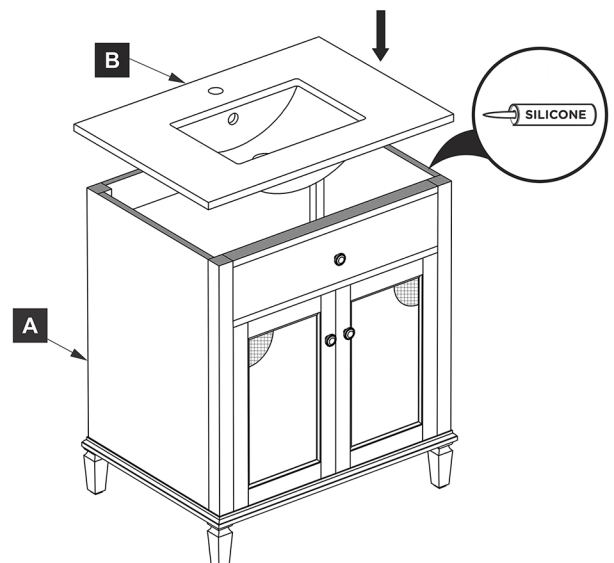


**IMPORTANT:** Consult an expert for the proper screws/bolts to use when attaching to various constructions. Screws provided do not attach to all wall construction types. Anchors are not required if brackets are installed in stud.

- 3** Flip counter top upside down and attach sink to it using provided brackets & screws. Apply silicone sealant bead between sink top and bottom side of vanity top.



- 4** Apply silicone to the top of the cabinet (A) and place counter top with sink (B) already attached to it. Apply silicone bead between vanity and vanity top.



>All dimensions & specifications are approximate and subject to change without notice.



FCB4530

CORA

INSTALLATION GUIDE

PAGE 4