



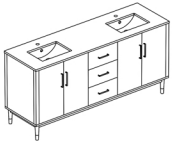
SAWYER

INSTALLATION GUIDE

FCB4472-D

CONTENTS:

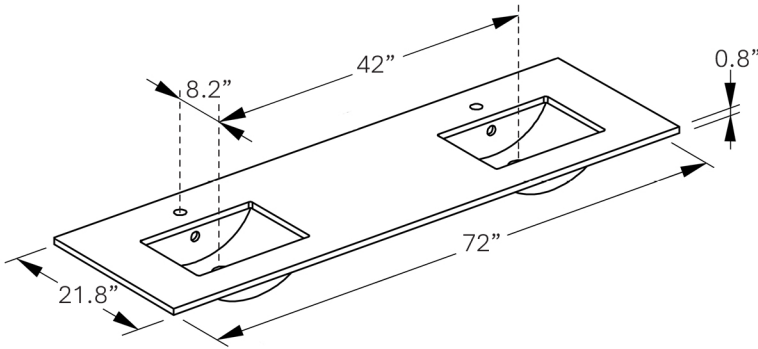
Cabinet.....	FCB4472-D.....	PAGE 2
Top.....	FCT2472-D.....	PAGE 6



CONTENTS

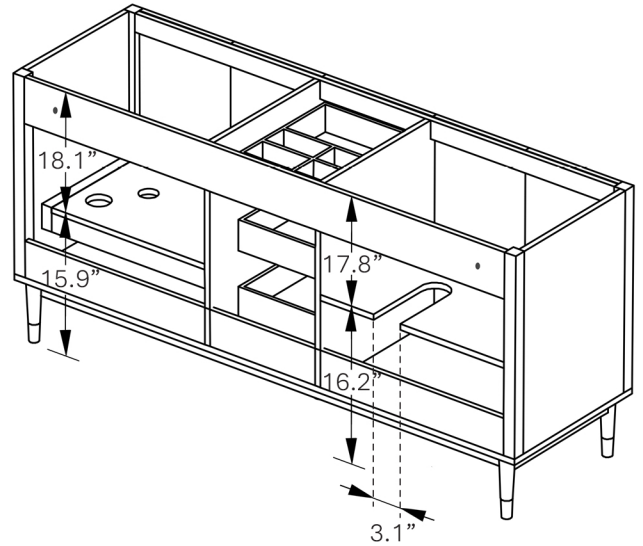
FCT2472-D

Top Front



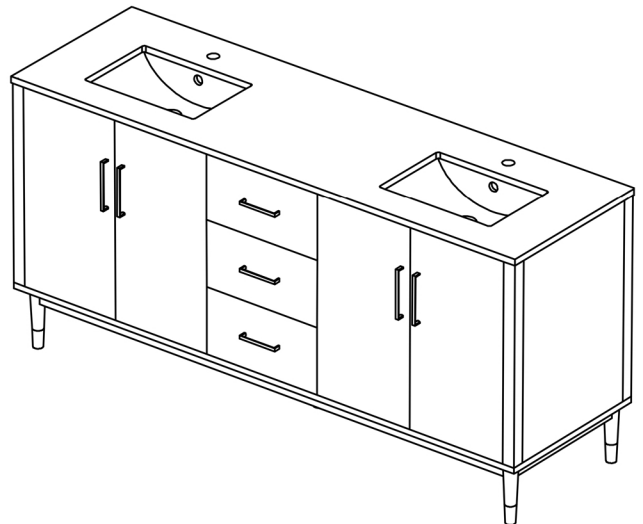
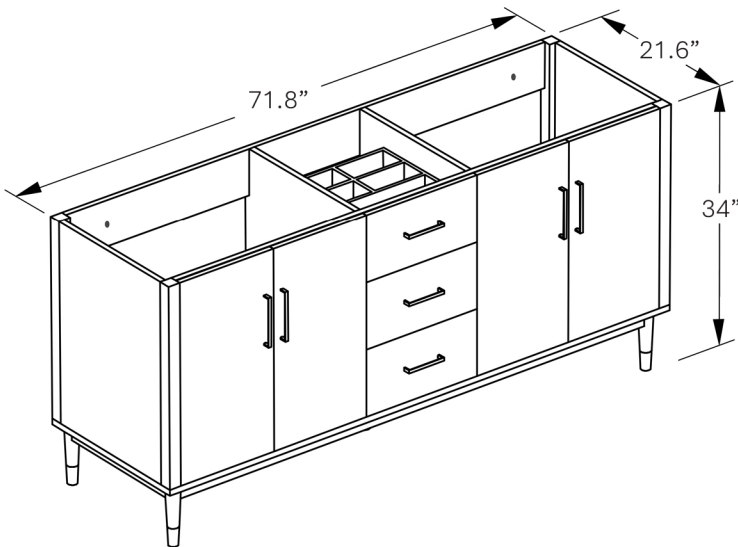
FCB4472-D

Cabinet Back

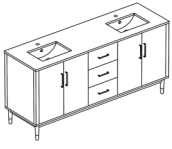


FCB4472-D

Cabinet Front



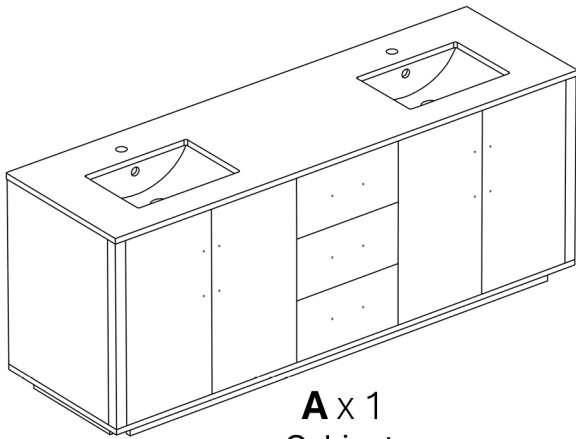
>All dimensions & specifications are approximate and subject to change without notice.



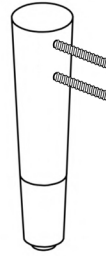
FCB4472-D SAWYER INSTALLATION GUIDE



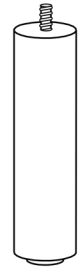
PARTS LIST



A x 1
Cabinet



B x 4
Legs



C x 1
Center leg

HARDWARE



(H1) x 8



(H2) x 8



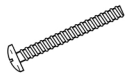
(H3) x 8



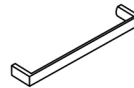
(H4) x 1



(H5) x 8



(H6) x 6

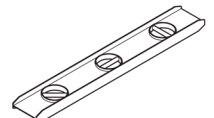
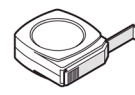
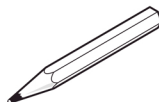
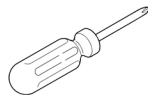
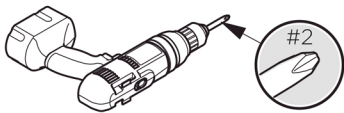


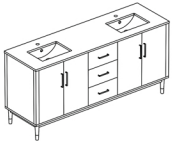
(H7) x 3



(H8) x 4

TOOLS FOR ASSEMBLY



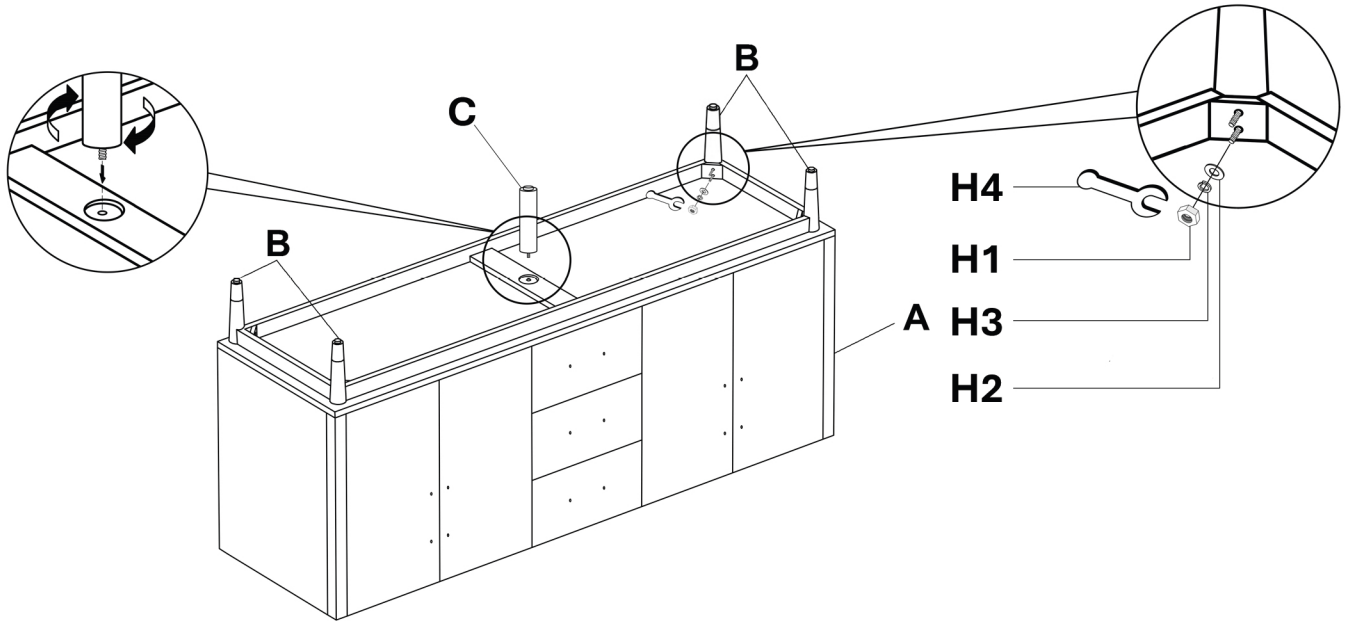


FCB4472-D SAWYER INSTALLATION GUIDE

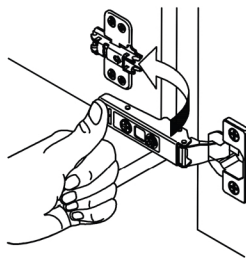


ASSEMBLY INSTRUCTIONS

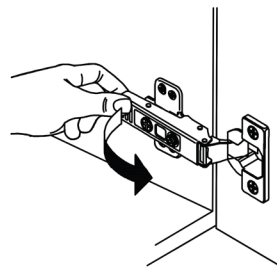
1 Attach the legs to the vanity



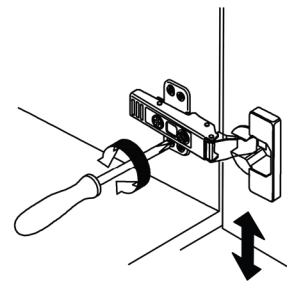
2 Adjustment of Door Hinge



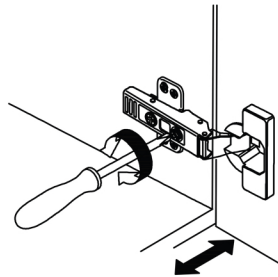
Install



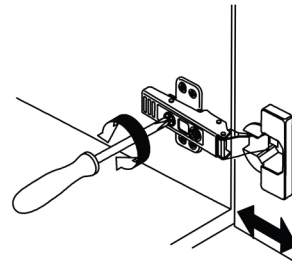
Remove



Adjust height

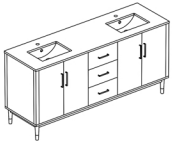


Adjust laterally



Adjust depth



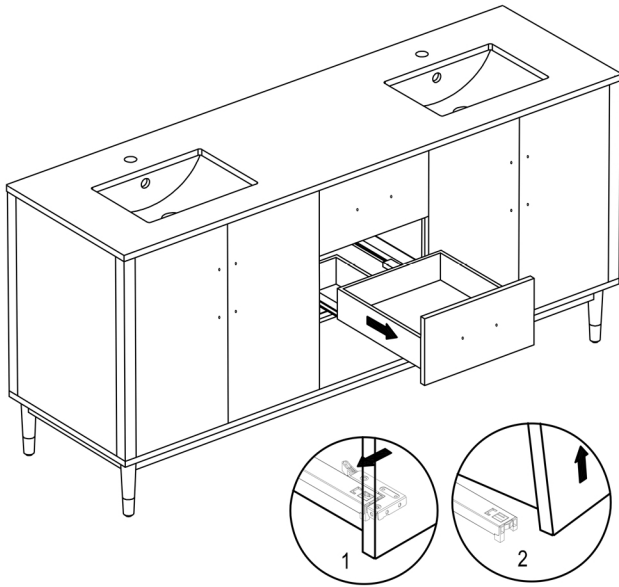


FCB4472-D SAWYER INSTALLATION GUIDE

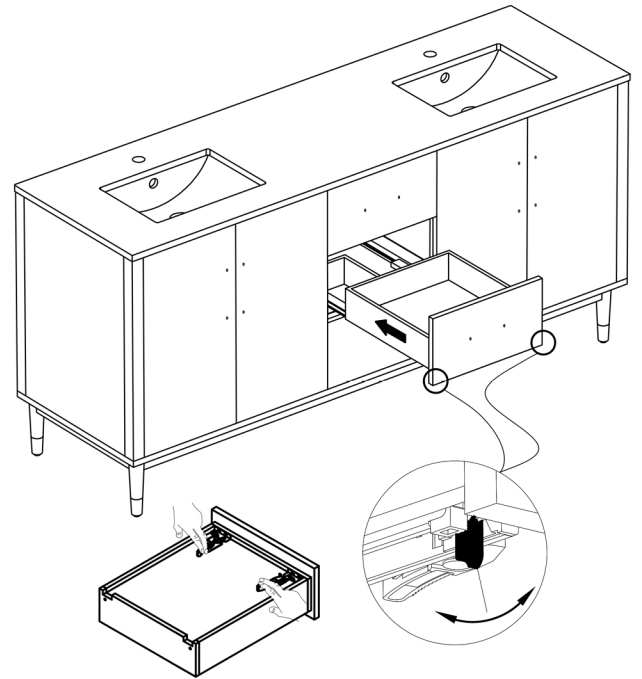


ASSEMBLY INSTRUCTIONS

3 Adjustment of Drawer



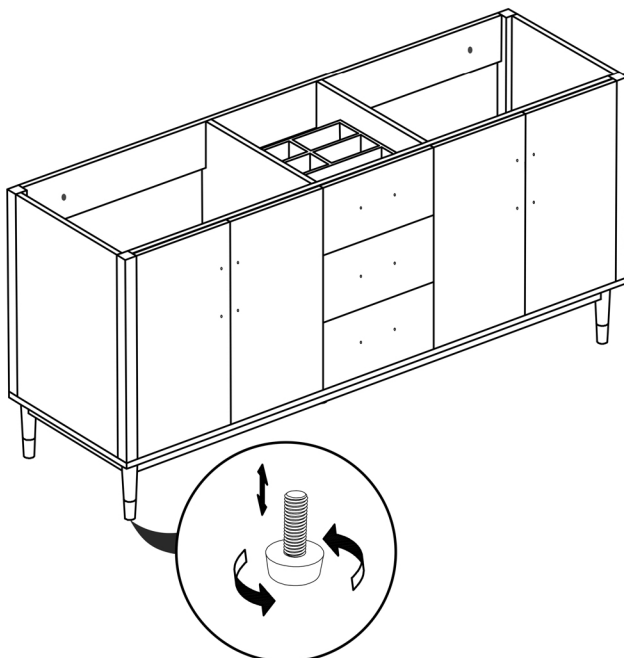
To remove the drawer



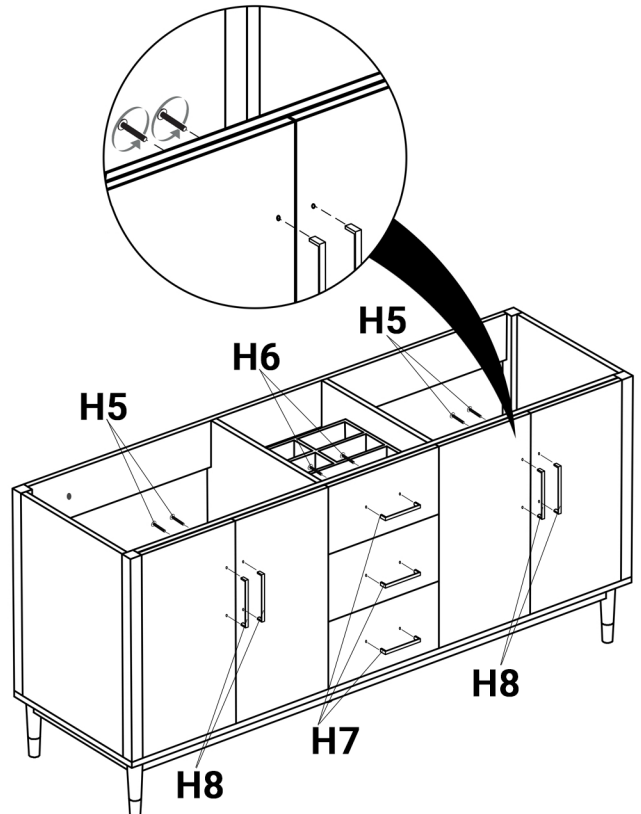
To insert the drawer

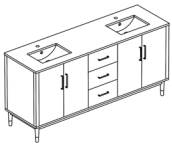
4 Adjust the Vanity's height

Place the vanity at its desired location and adjust the vanity's height by rotating the adjustable leveler located on the bottom of each foot.



5 Attach the handles to Vanity



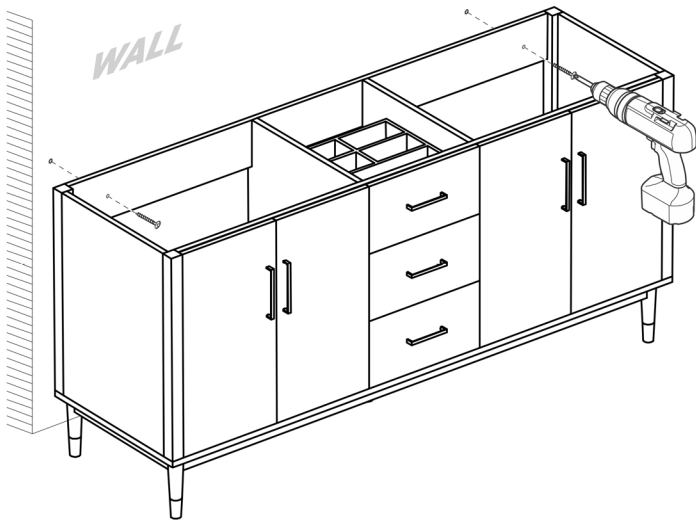


FCB4472-D SAWYER INSTALLATION GUIDE

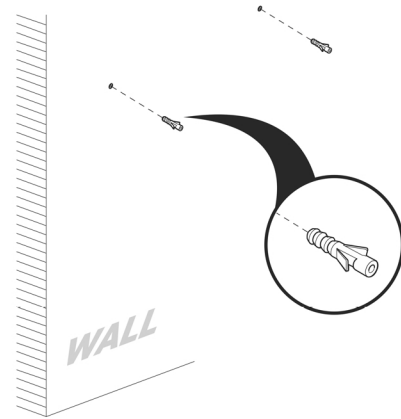


CABINET INSTALLATION

- 1** Mark anchor mounting hole locations on the wall as shown. Attach cabinet to the wall.

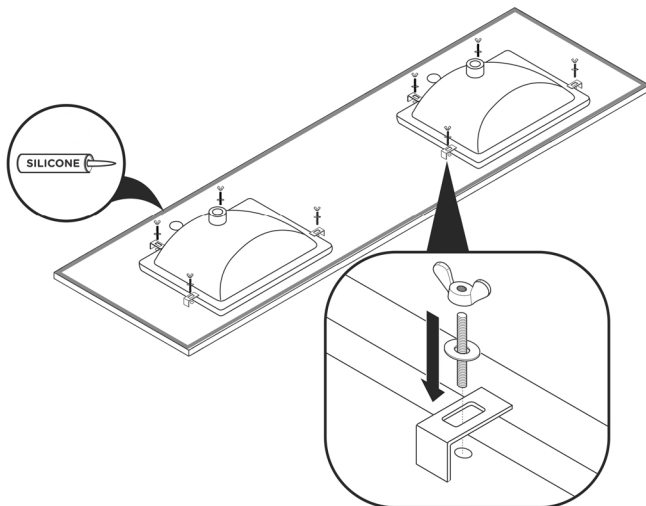


- 2** Drill holes in the wall and insert the anchors.



IMPORTANT: Consult an expert for the proper screws/bolts to use when attaching to various constructions. Screws provided do not attach to all wall construction types. Anchors are not required if brackets are installed in stud.

- 3** Flip counter top upside down and attach sink to it using provided brackets & screws. Apply silicone sealant bead between sink top and bottom side of vanity top.



- 4** Apply silicone to the top of the cabinet (A) and place counter top with sink (B) already attached to it. Apply silicone bead between vanity and vanity top.

