



# SAWYER

## **INSTALLATION GUIDE**

### **FCB4460**

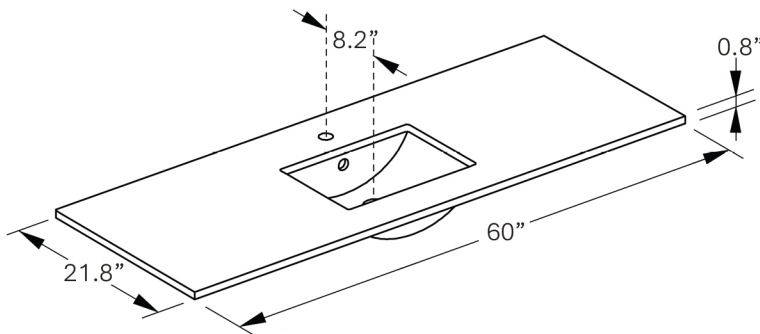
## CONTENTS:

Cabinet.....	FCB4460.....	PAGE 2
Top.....	FCT2460.....	PAGE 6

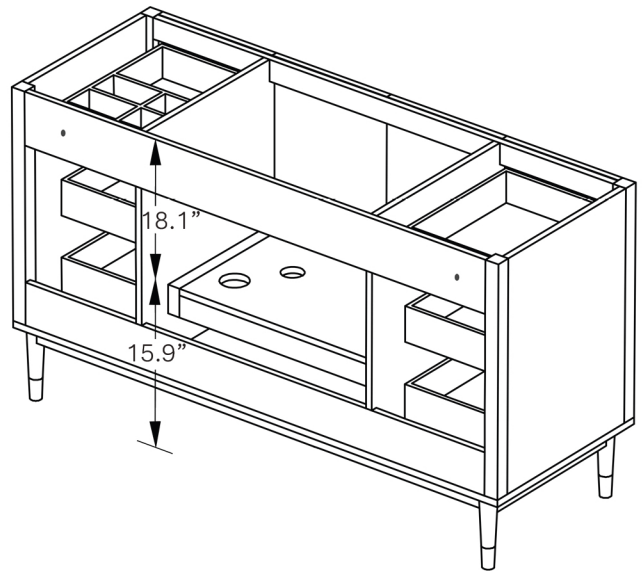


**CONTENTS**

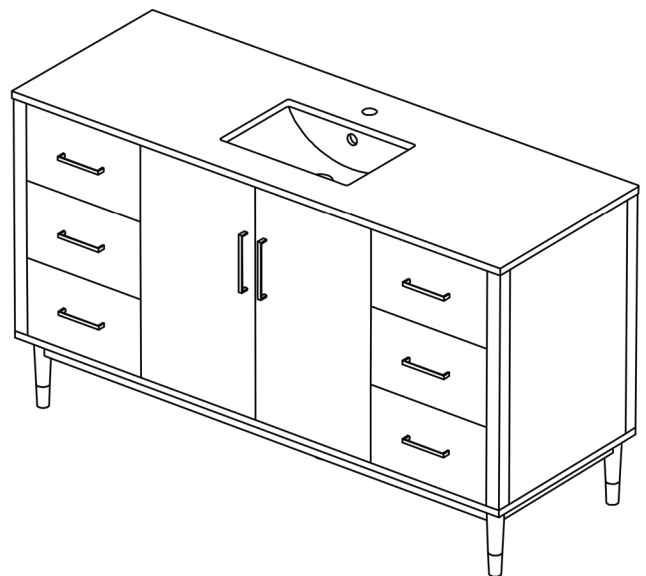
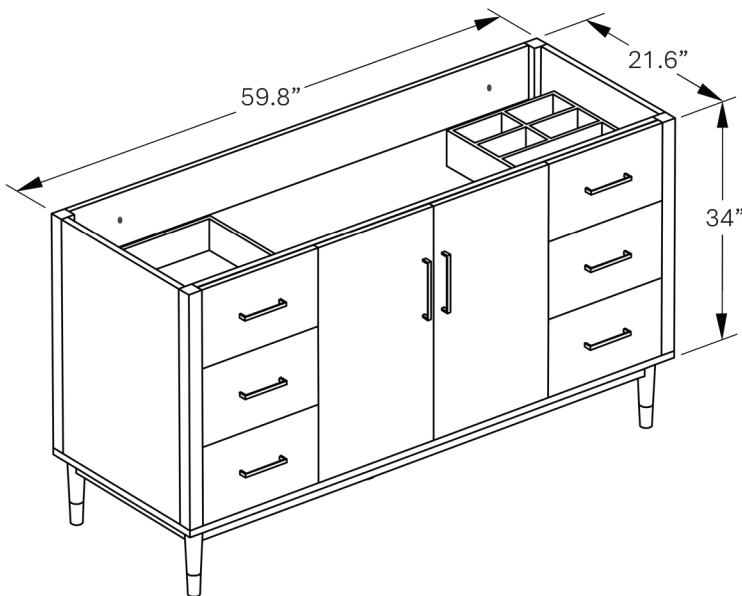
**FCT2460**  
Top Front



**FCB4460**  
Cabinet Back

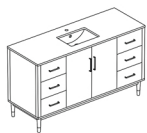


**FCB4460**  
Cabinet Front



*>All dimensions & specifications are approximate and subject to change without notice.*

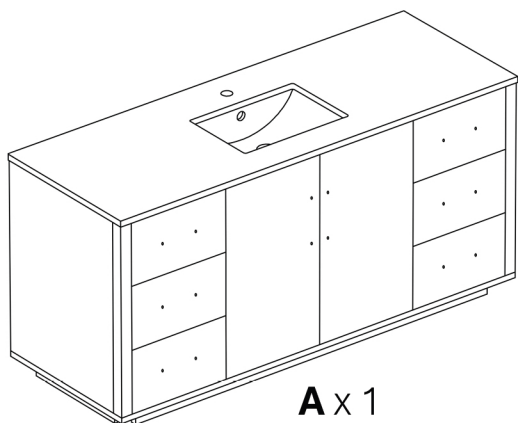




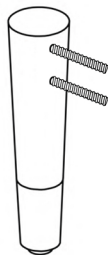
# FCB4460 SAWYER INSTALLATION GUIDE



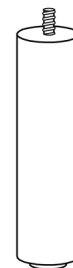
## PARTS LIST



**A x 1**  
Cabinet



**B x 4**  
Legs



**C x 1**  
Center leg

## HARDWARE



**(H1) x 8**



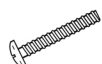
**(H2) x 8**



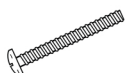
**(H3) x 8**



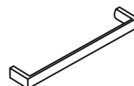
**(H4) x 1**



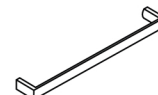
**(H5) x 4**



**(H6) x 12**

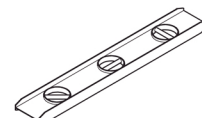
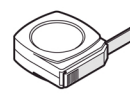
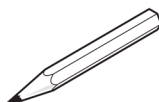
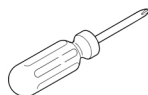
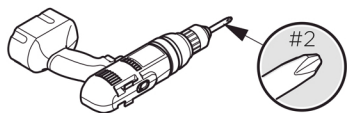


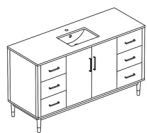
**(H7) x 6**



**(H8) x 2**

## TOOLS FOR ASSEMBLY



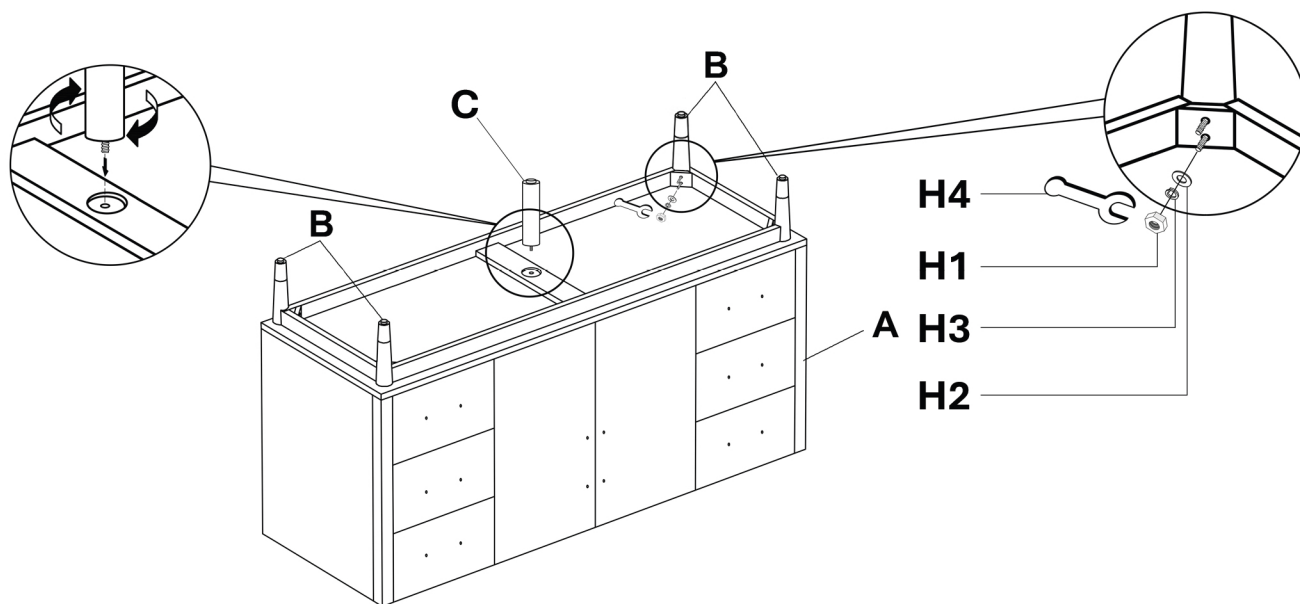


# FCB4460 SAWYER INSTALLATION GUIDE

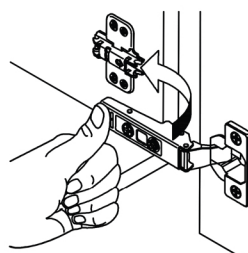


## ASSEMBLY INSTRUCTIONS

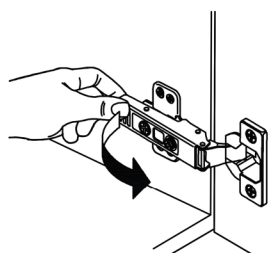
### 1 Attach the legs to the vanity



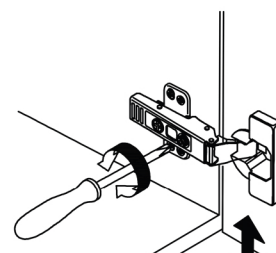
### 2 Adjustment of Door Hinge



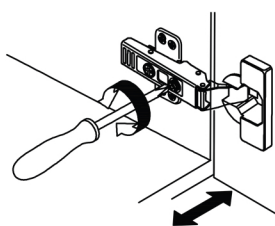
Install



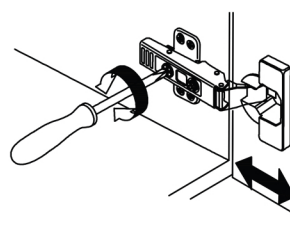
Remove



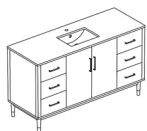
Adjust height



Adjust laterally



Adjust depth

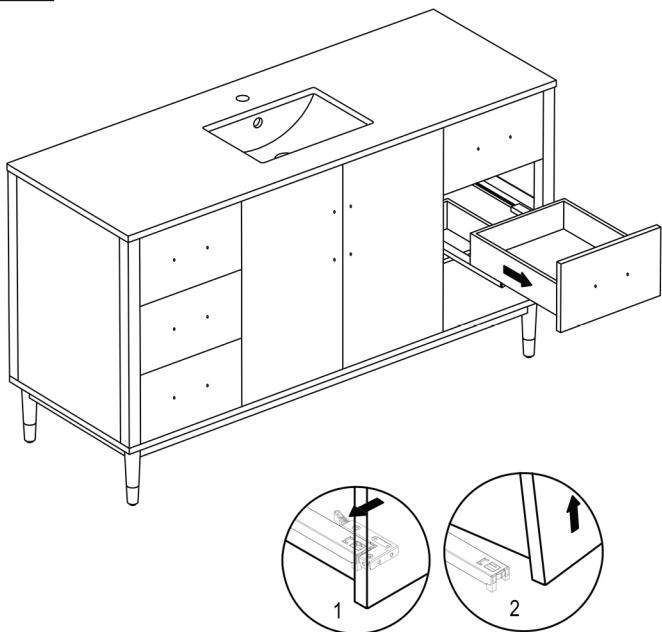


# FCB4460 SAWYER INSTALLATION GUIDE

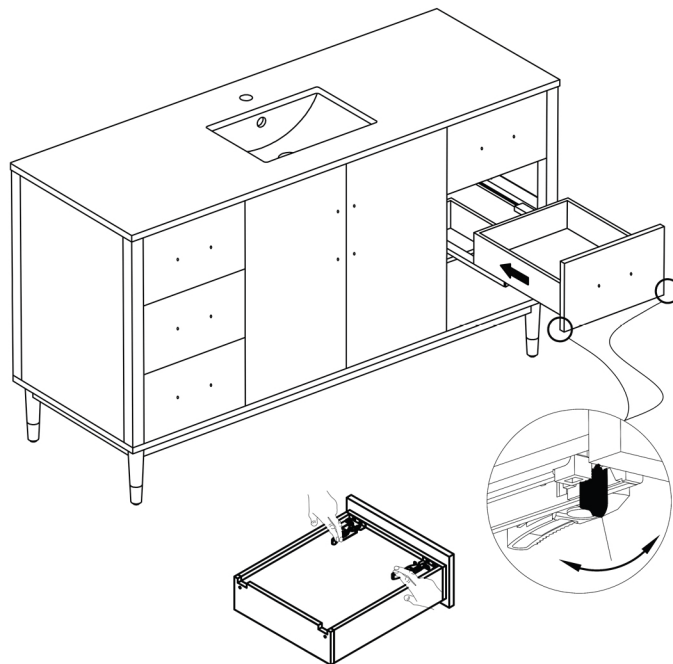


## ASSEMBLY INSTRUCTIONS

### 3 Adjustment of Drawer



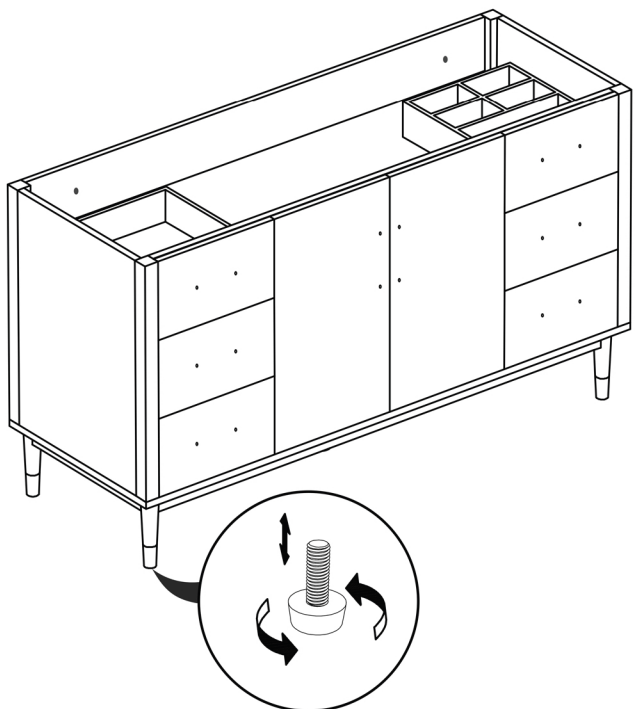
To remove the drawer



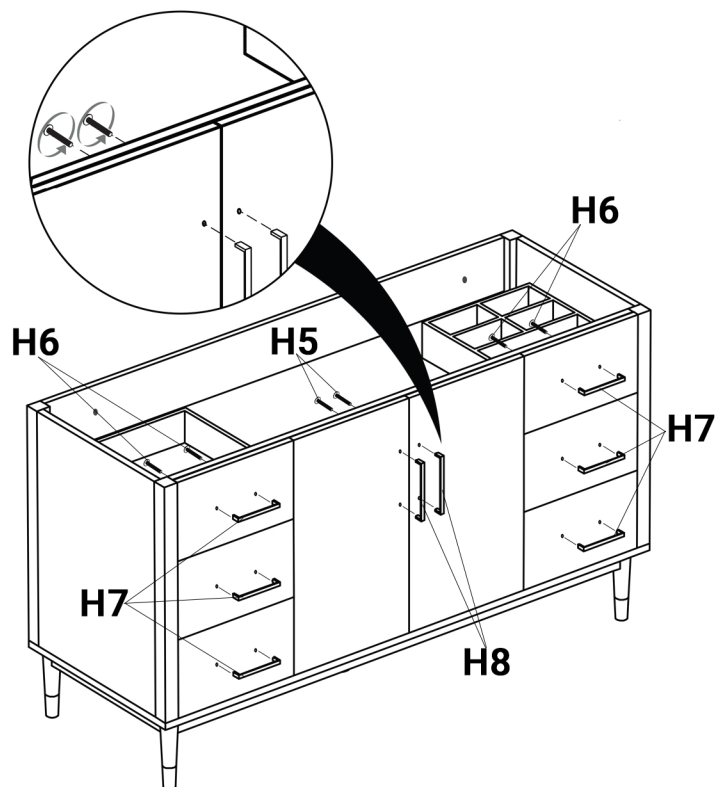
To insert the drawer

### 4 Adjust the Vanity's height

Place the vanity at its desired location and adjust the vanity's height by rotating the adjustable leveler located on the bottom of each foot.



### 5 Attach the handles to Vanity



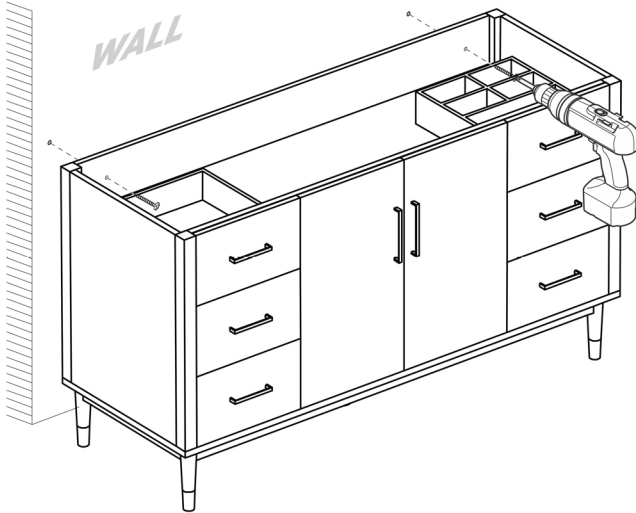


# FCB4460 SAWYER INSTALLATION GUIDE

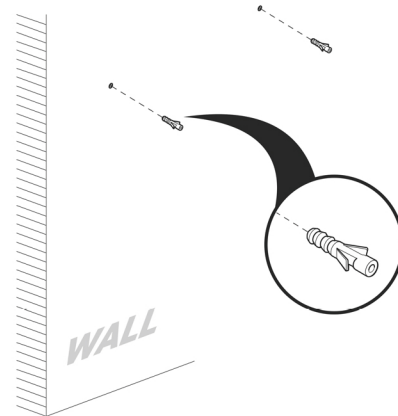


## CABINET INSTALLATION

- 1** Mark anchor mounting hole locations on the wall as shown. Attach cabinet to the wall.

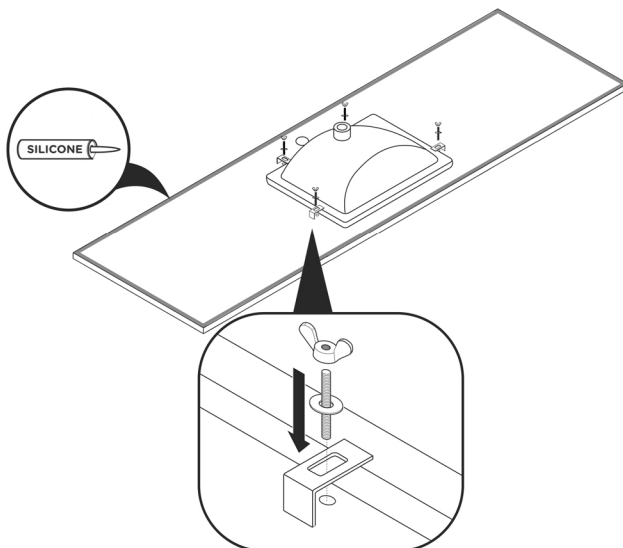


- 2** Drill holes in the wall and insert the anchors.



**IMPORTANT:** Consult an expert for the proper screws/bolts to use when attaching to various constructions. Screws provided do not attach to all wall construction types. Anchors are not required if brackets are installed in stud.

- 3** Flip counter top upside down and attach sink to it using provided brackets & screws. Apply silicone sealant bead between sink top and bottom side of vanity top.



- 4** Apply silicone to the top of the cabinet (A) and place counter top with sink (B) already attached to it. Apply silicone bead between vanity and vanity top.

