



# SAWYER

## INSTALLATION GUIDE

### **FCB4436**

## CONTENTS:

Cabinet.....	FCB4436.....	PAGE 2
Top.....	FCT2436.....	PAGE 6

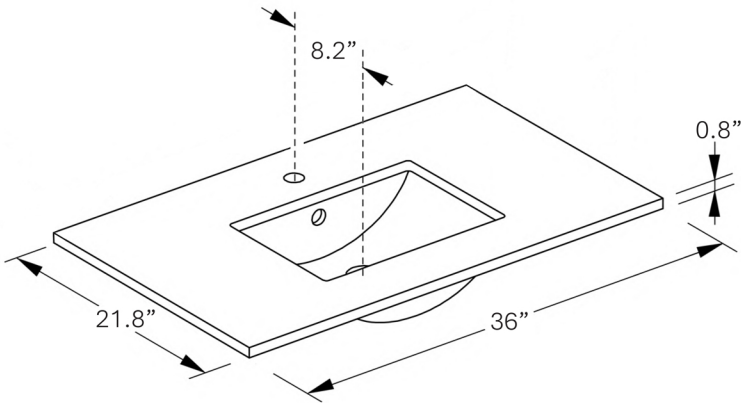


# FCB4436 SAWYER INSTALLATION GUIDE

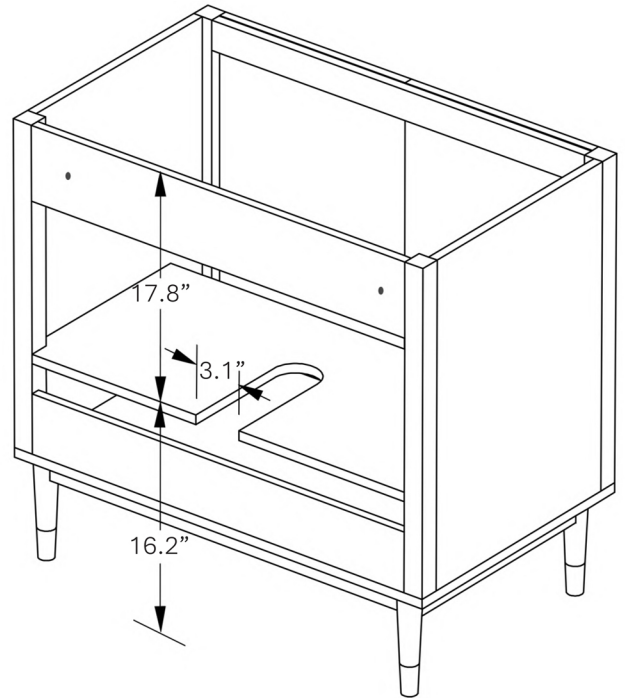


## CONTENTS

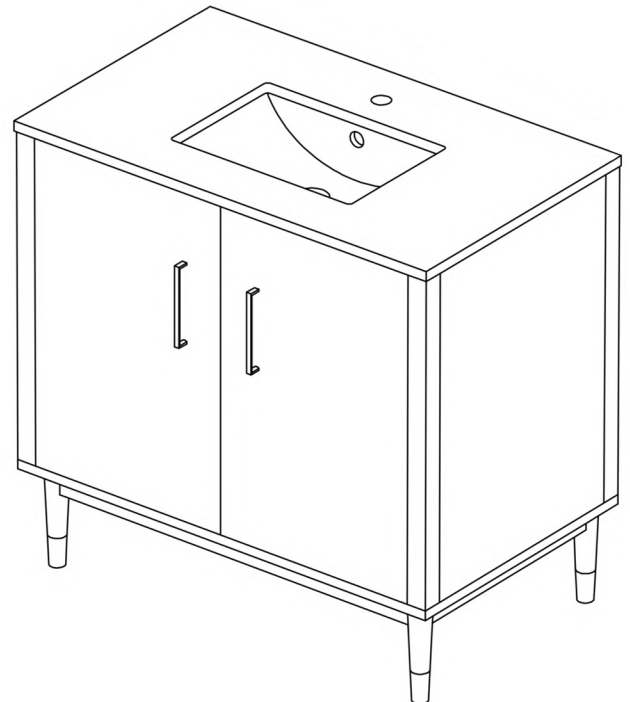
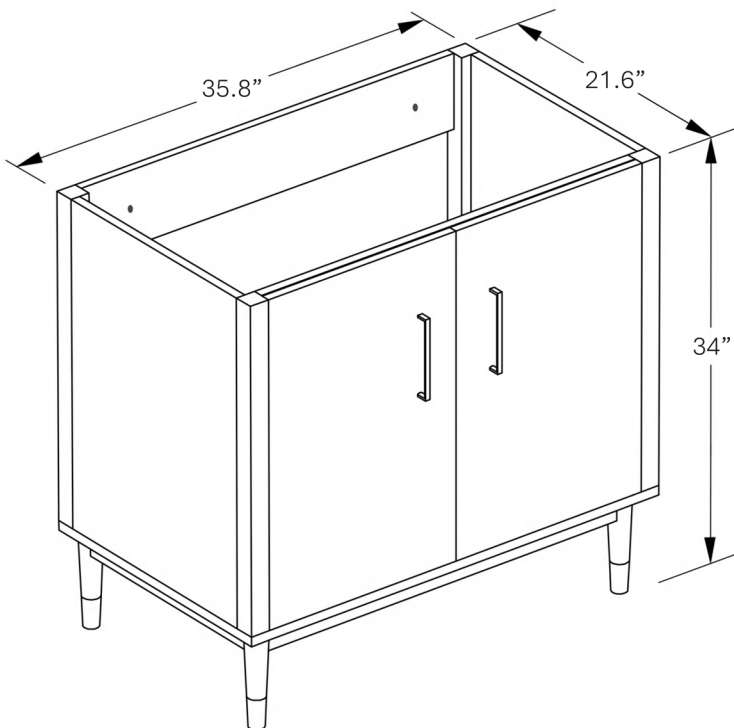
**FCT2436**  
Top Front



**FCB4436**  
Cabinet Back



**FCB4436**  
Cabinet Front



>All dimensions & specifications are approximate and subject to change without notice.



**FCB4436**

**SAWYER**

**INSTALLATION GUIDE**

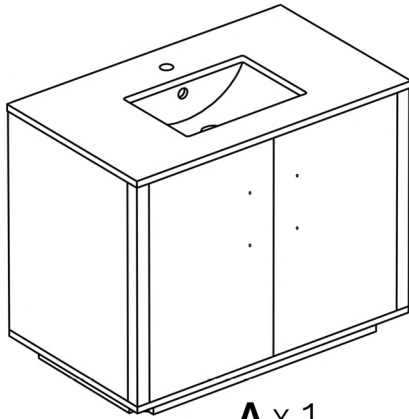
PAGE 2



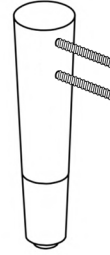
**FCB4436**  
**SAWYER**  
**INSTALLATION GUIDE**



**PARTS LIST**



**A** x 1  
 Cabinet



**B** x 4  
 Legs

**HARDWARE**



**(H1)** x 8



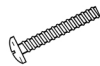
**(H2)** x 8



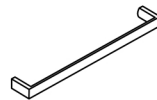
**(H3)** x 8



**(H4)** x 1

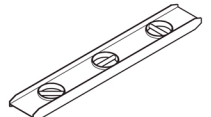
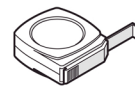
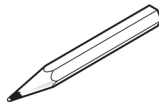
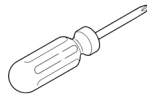
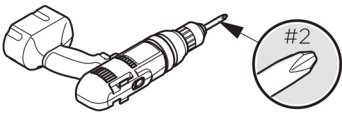


**(H5)** x 4



**(H6)** x 2

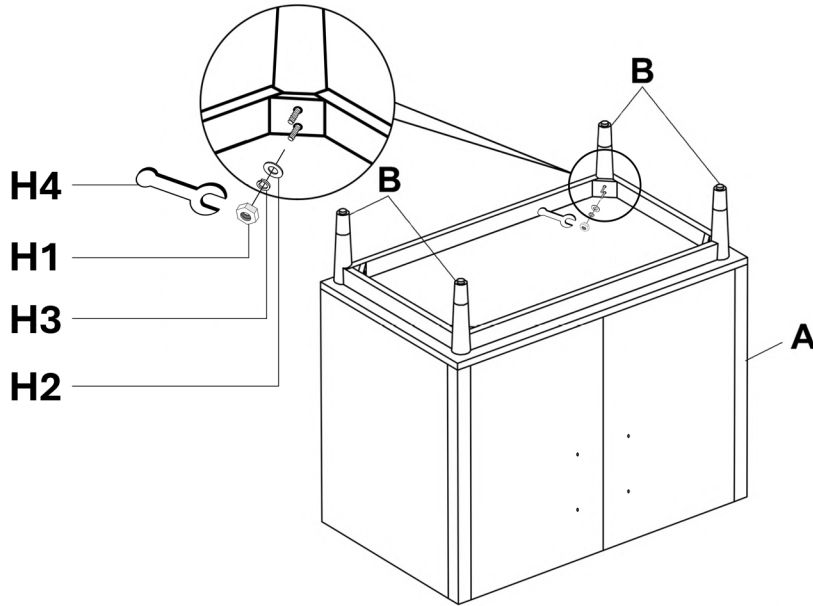
**TOOLS FOR ASSEMBLY**



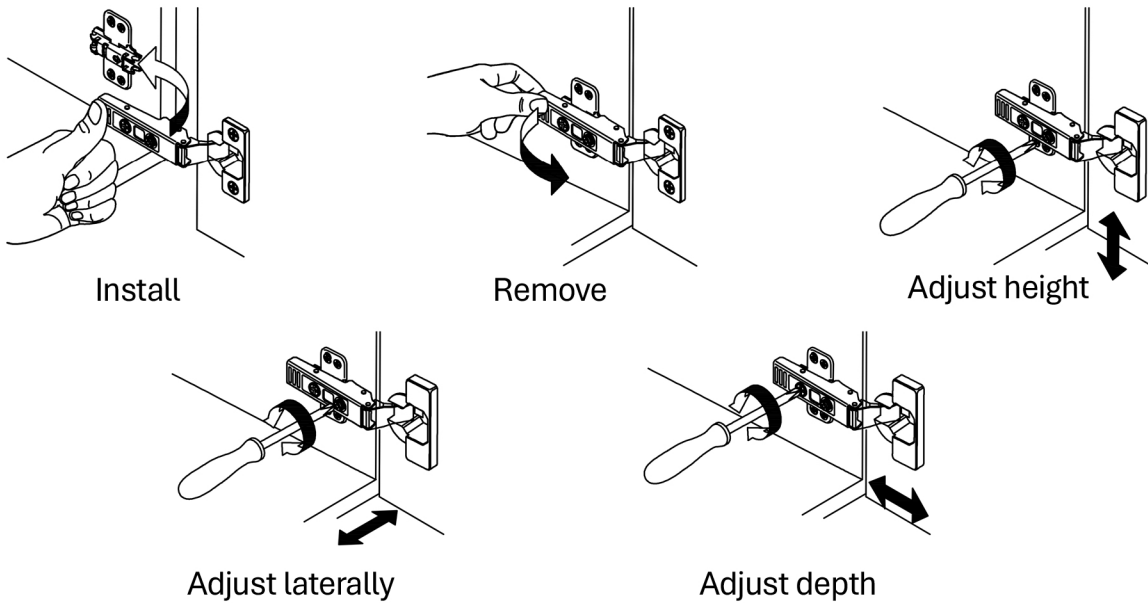


**ASSEMBLY INSTRUCTIONS**

**1** Attach the legs to the vanity



**2** Adjustment of Door Hinge



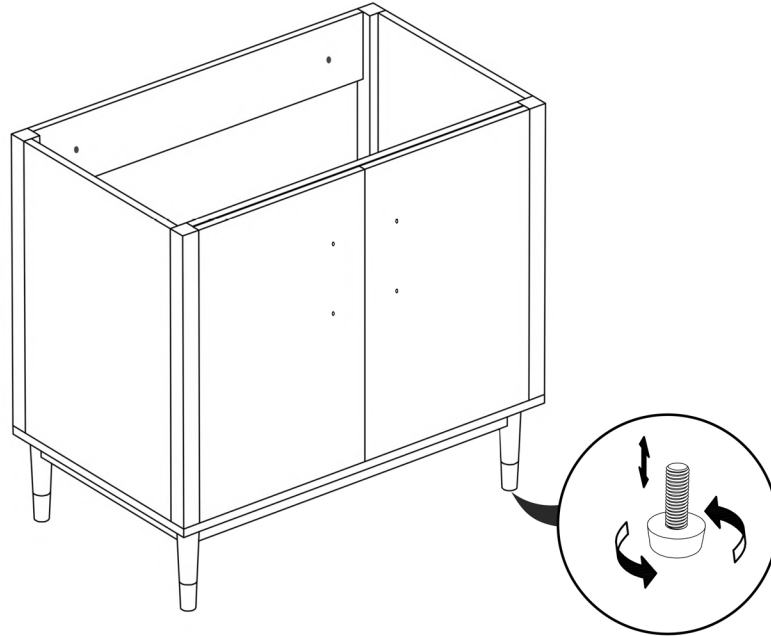


## ASSEMBLY INSTRUCTIONS

**3**

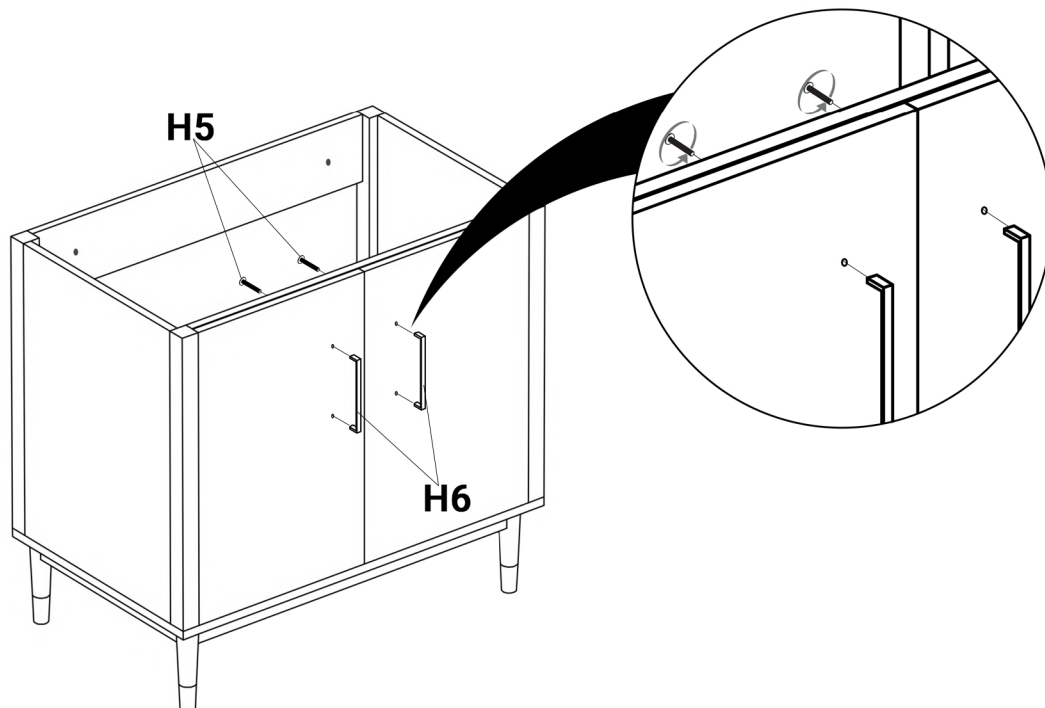
### Adjust the Vanity's height

Place the vanity at its desired location and adjust the vanity's height by rotating the adjustable leveler located on the bottom of each foot.



**4**

### Attach the handles to Vanity



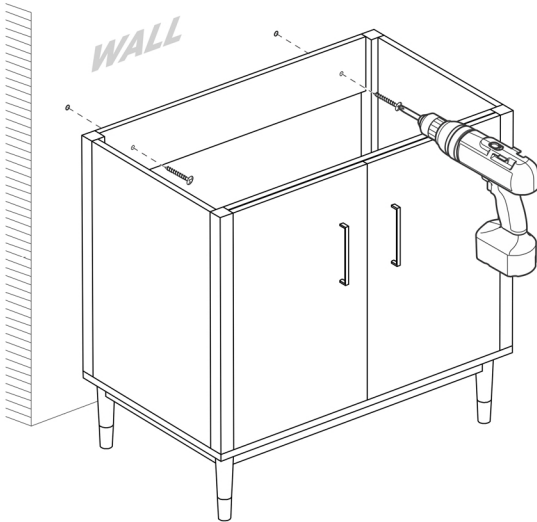


# FCB4436 SAWYER INSTALLATION GUIDE

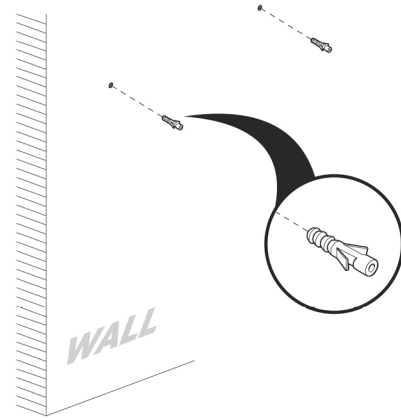


## CABINET INSTALLATION

- 1** Mark anchor mounting hole locations on the wall as shown. Attach cabinet to the wall.

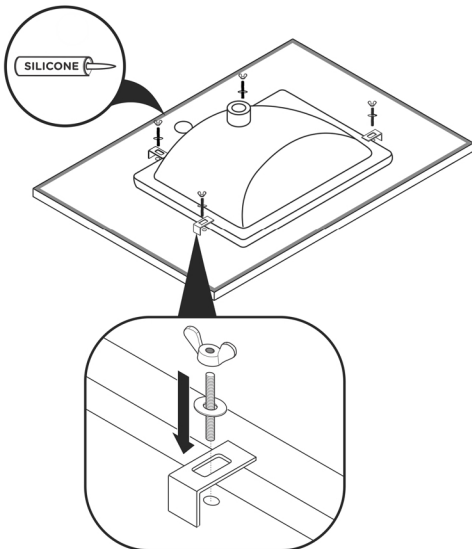


- 2** Drill holes in the wall and insert the anchors.

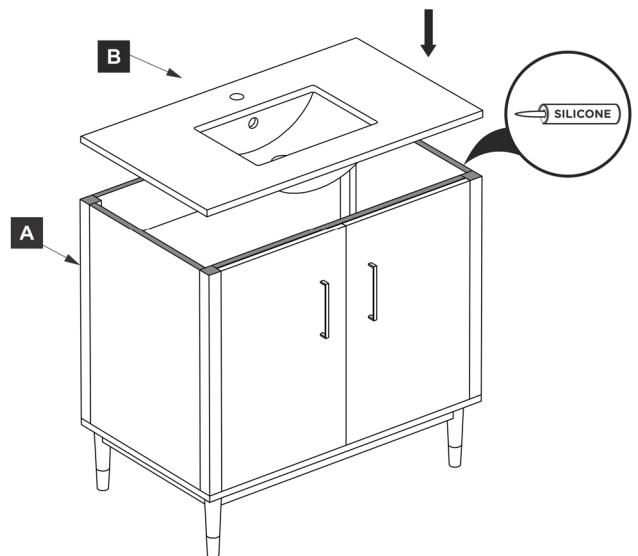


**IMPORTANT:** Consult an expert for the proper screws/bolts to use when attaching to various constructions. Screws provided do not attach to all wall construction types. Anchors are not required if brackets are installed in stud.

- 3** Flip counter top upside down and attach sink to it using provided brackets & screws. Apply silicone sealant bead between sink top and bottom side of vanity top.



- 4** Apply silicone to the top of the cabinet (A) and place counter top with sink (B) already attached to it. Apply silicone bead between vanity and vanity top.



FCB4436

SAWYER

INSTALLATION GUIDE

PAGE 6