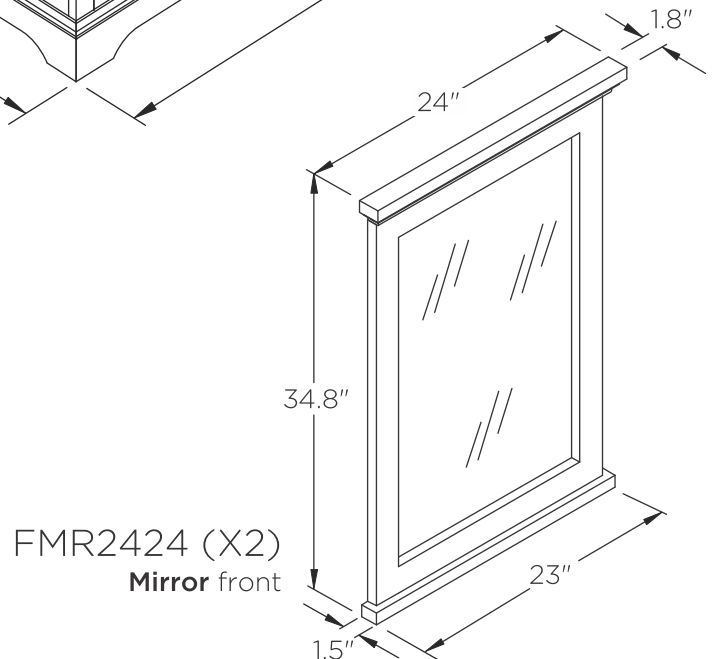
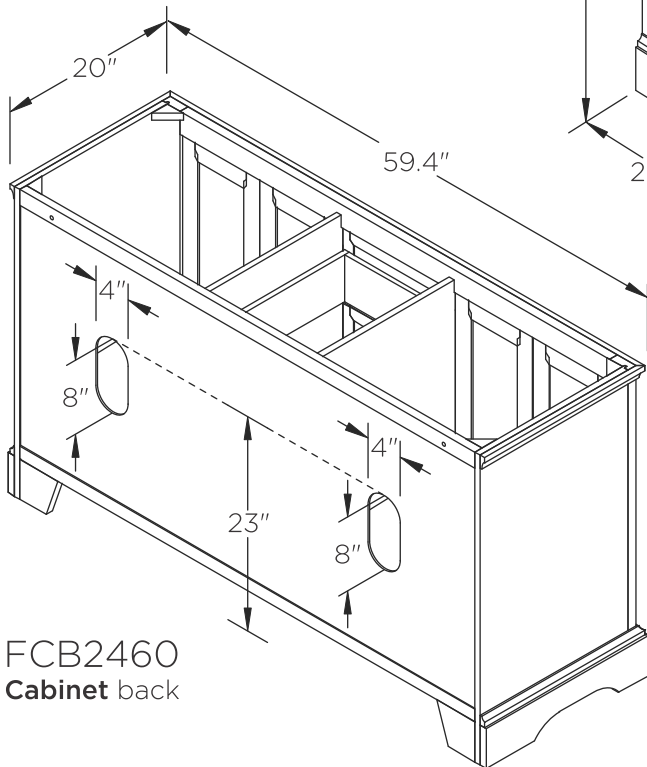
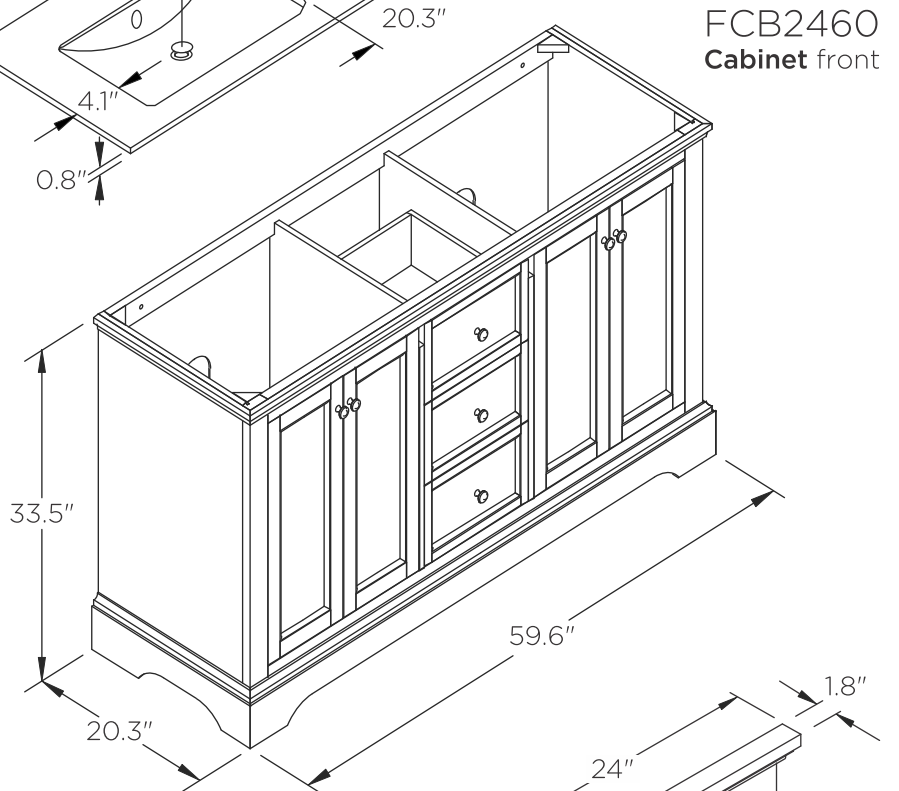
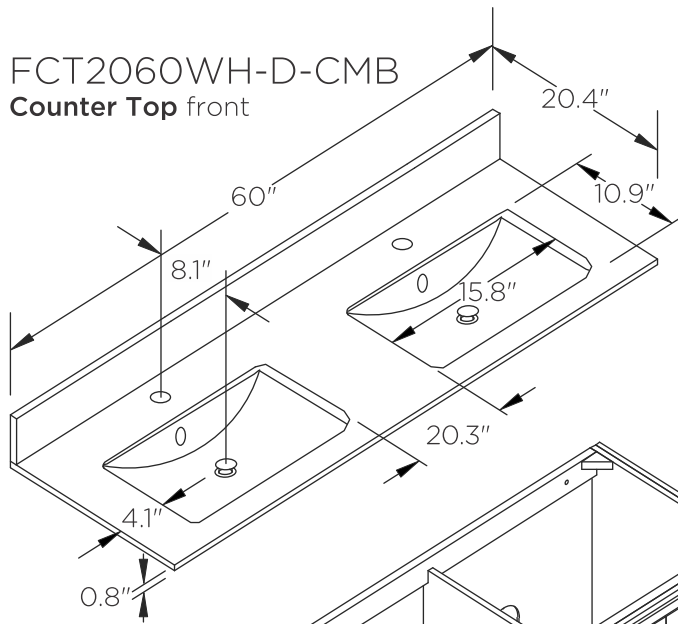
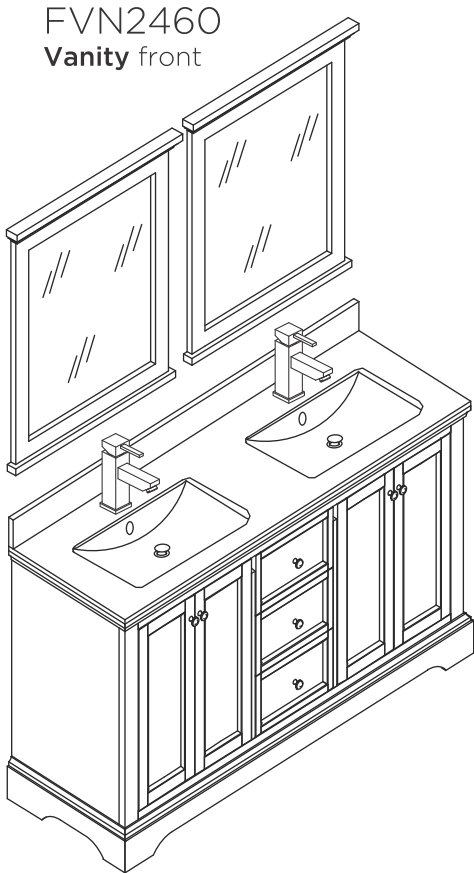


FVN2460 WINDSOR INSTALLATION GUIDE



NOTE: All dimensions & specifications are approximate and subject to change without notice.



FVN2460

WINDSOR

INSTALLATION GUIDE

PAGE 1