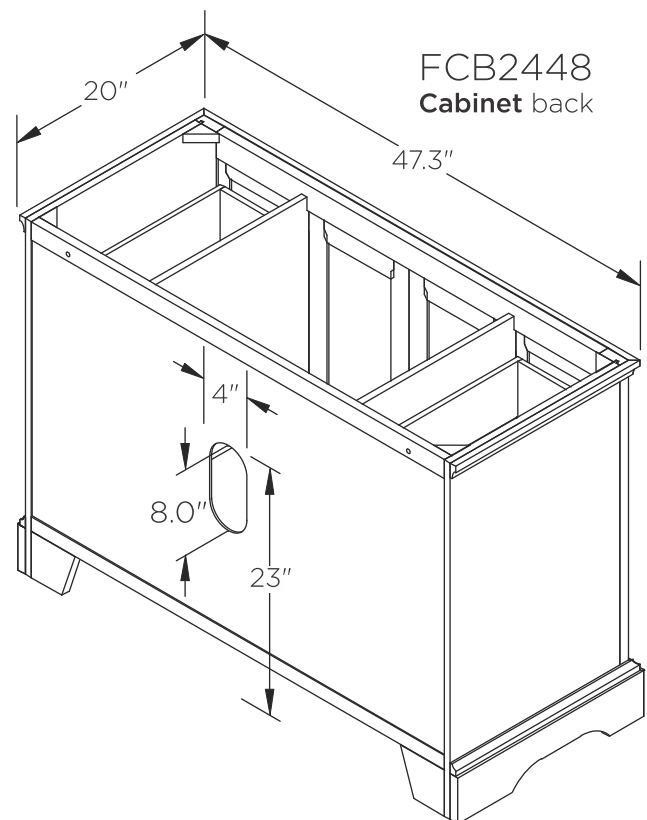
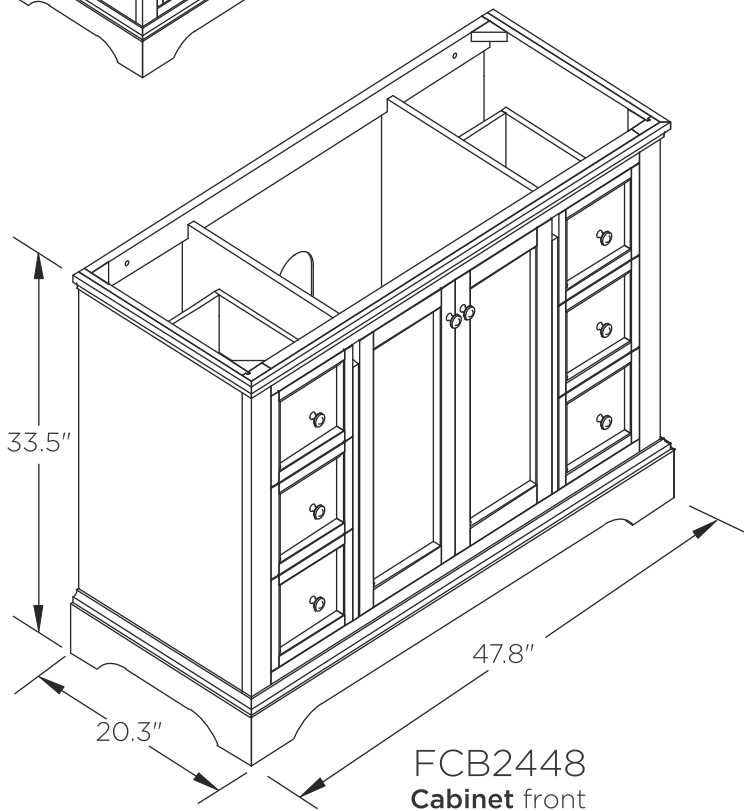
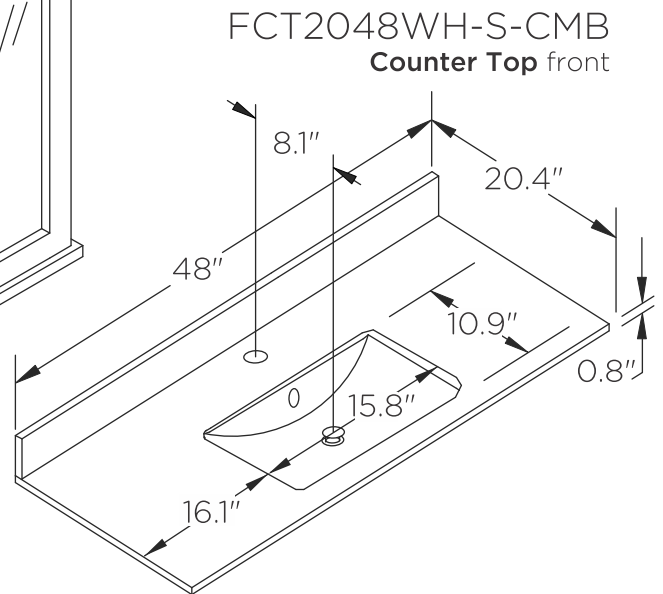
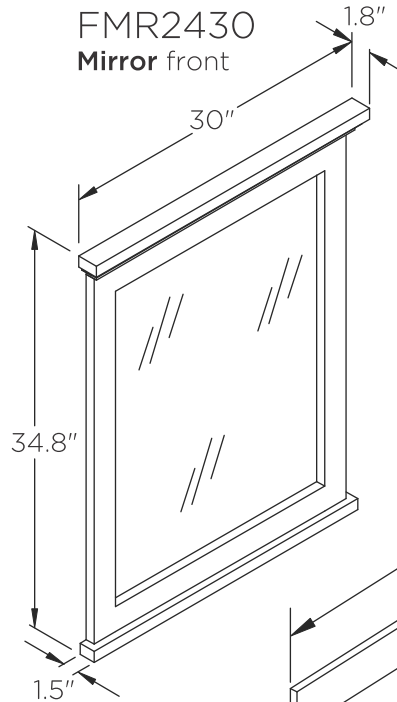
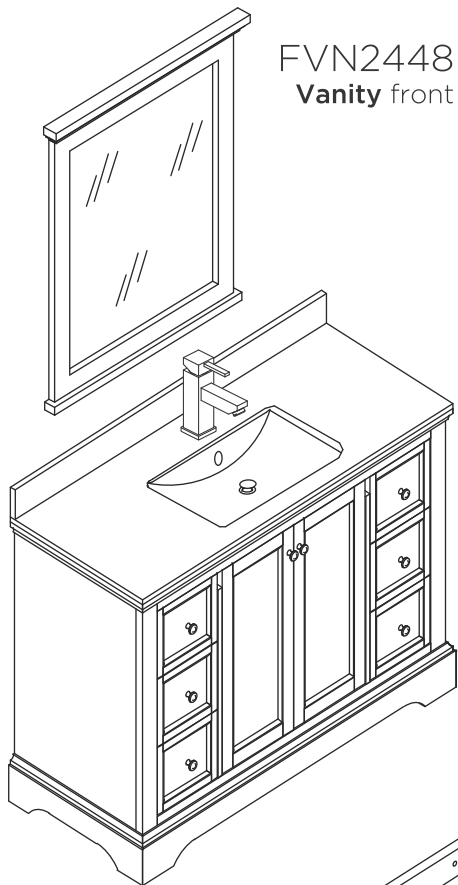


FVN2448 WINDSOR INSTALLATION GUIDE



NOTE: All dimensions & specifications are approximate and subject to change without notice.



FVN2448

WINDSOR

INSTALLATION GUIDE