



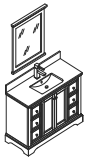
# WINDSOR

## INSTALLATION GUIDE

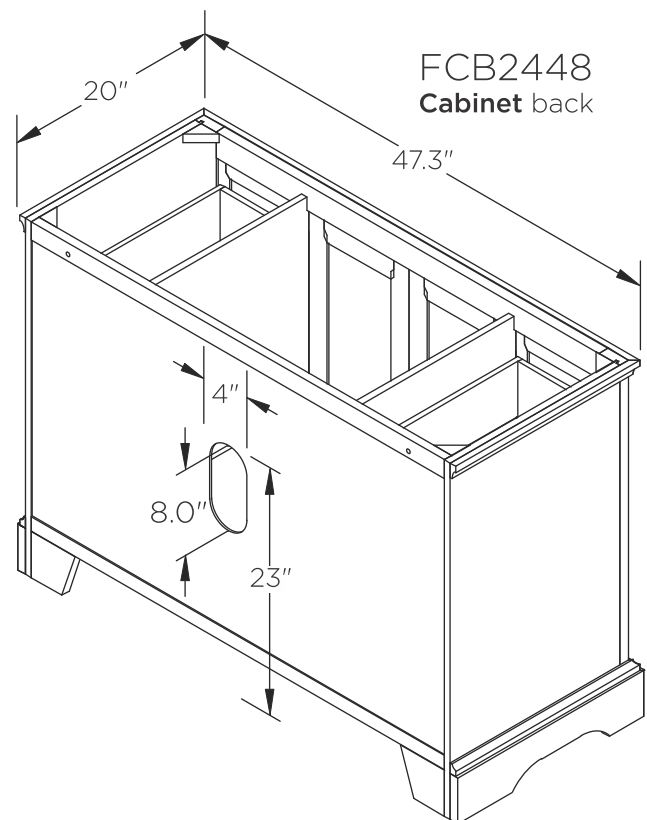
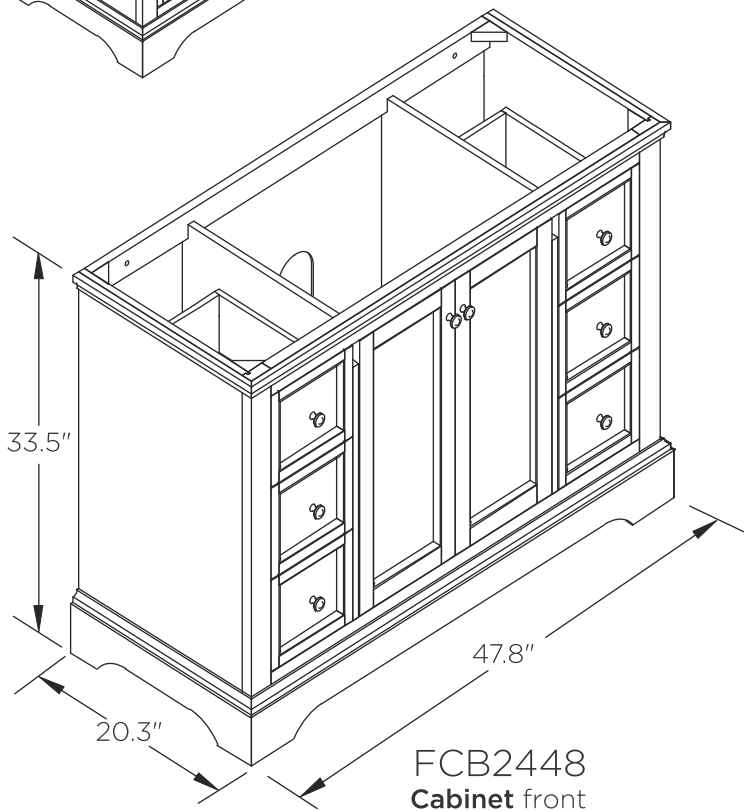
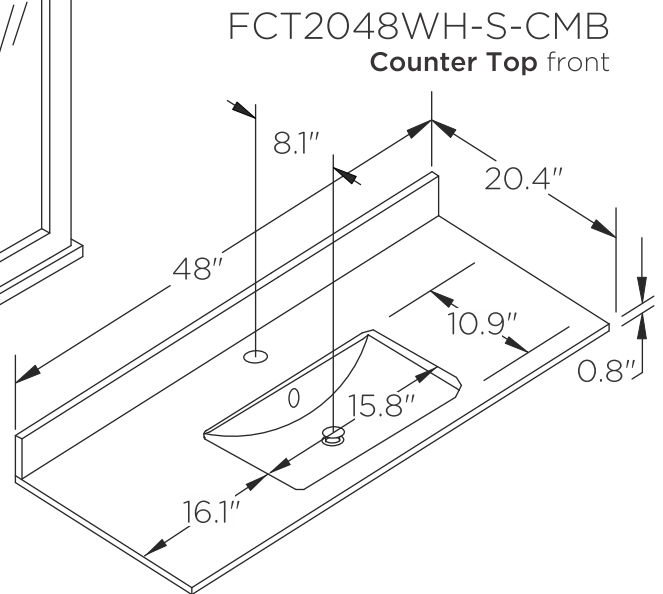
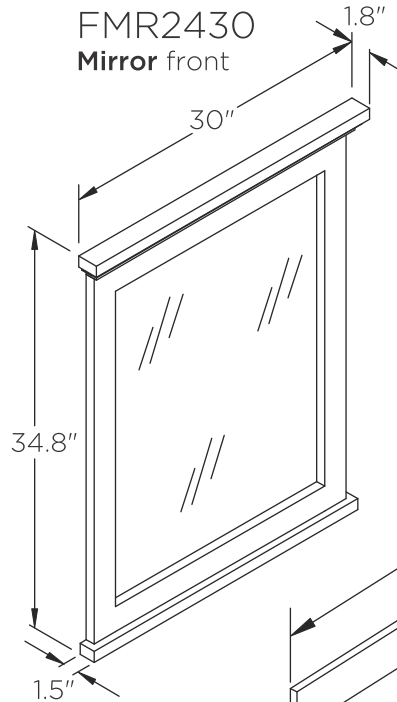
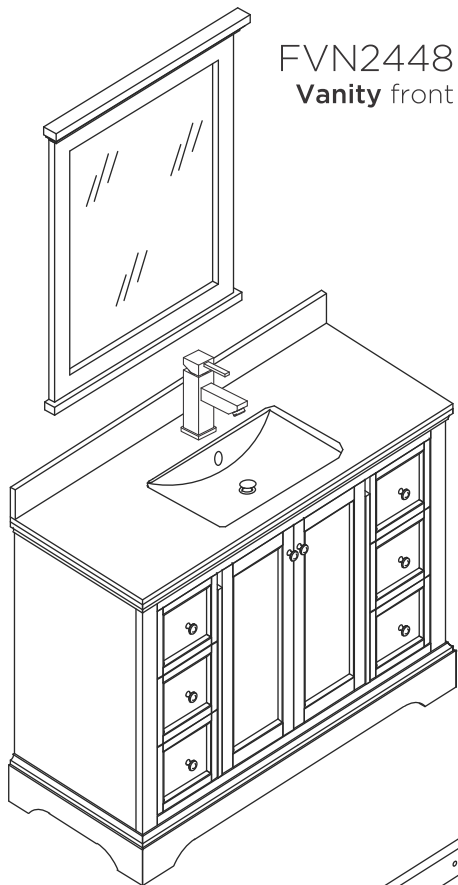
# FVN2448

## CONTENTS:

Mirror.....	FMR2430.....	PAGE 2
Cabinet.....	FCB2448.....	PAGE 3
Sink.....	FCT2048WH-S-CMB.....	PAGE 3



# FVN2448 WINDSOR INSTALLATION GUIDE



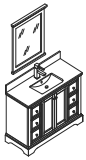
**NOTE:** All dimensions & specifications are approximate and subject to change without notice.



**FVN2448**

**WINDSOR**

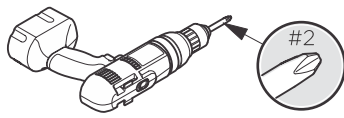
**INSTALLATION GUIDE**



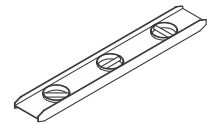
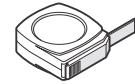
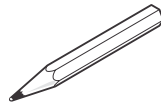
# FVN2448 WINDSOR INSTALLATION GUIDE



## TOOLS FOR ASSEMBLY

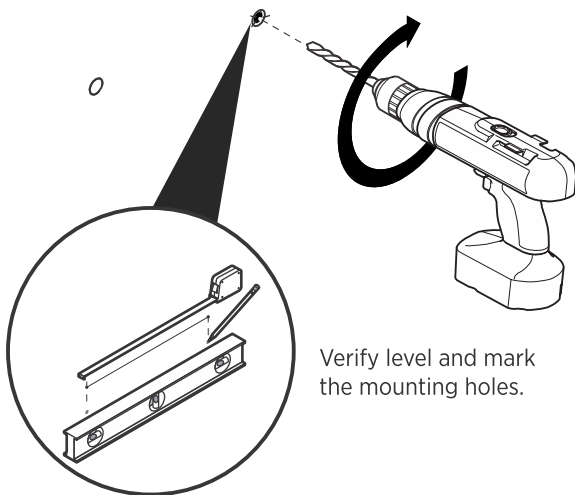


1/4" & 3/8" Drill Bit



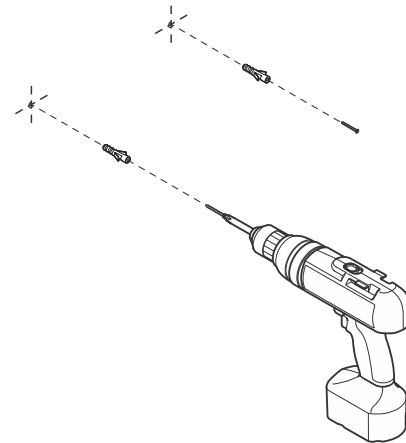
## MIRROR INSTALLATION

- 1** Measure distance between the holes and mark it on the wall using a level.



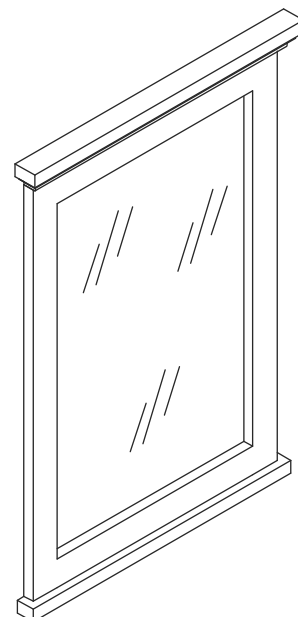
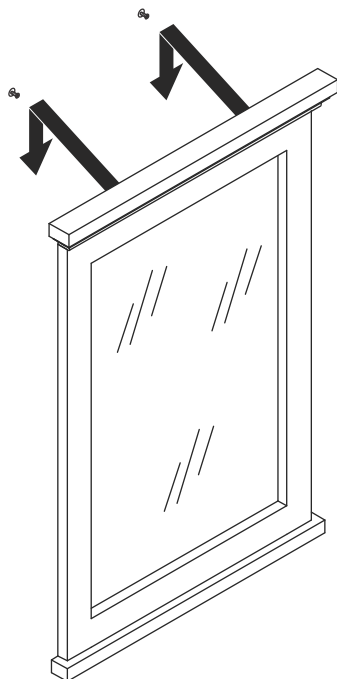
Verify level and mark the mounting holes.

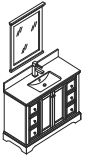
- 2** Press the anchors into the holes.



**IMPORTANT:** Consult an expert for the proper screws/bolts to use when attaching to various constructions. Screws provided do not attach to all wall construction types. Anchors are not required if brackets are installed in stud.

- 3** Hang mirror on the screws.

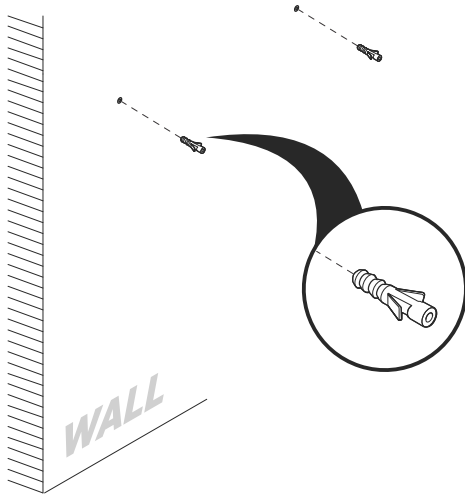




**CABINET INSTALLATION**

**1**

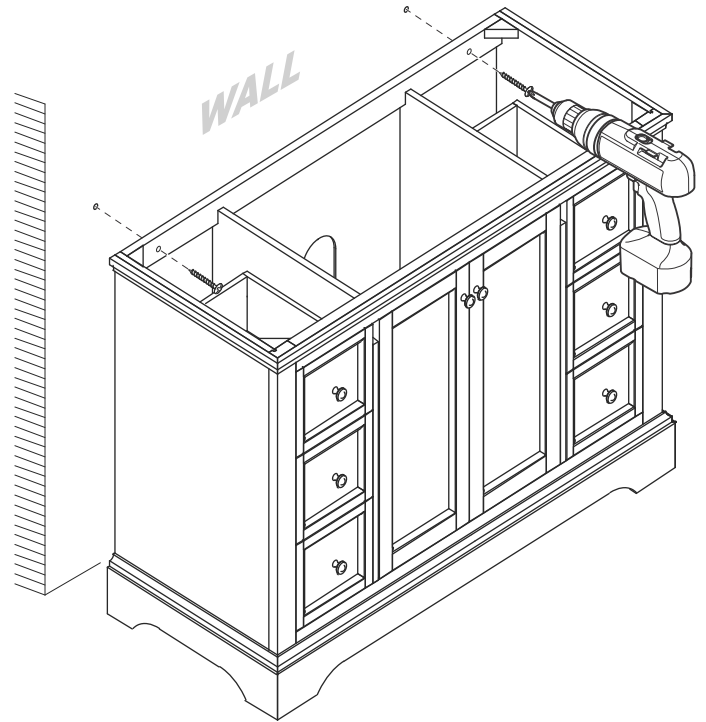
Drill holes in the wall and insert the anchors.



**IMPORTANT:** Consult an expert for the proper screws/bolts to use when attaching to various constructions. Screws provided do not attach to all wall construction types. Anchors are not required if brackets are installed in stud.

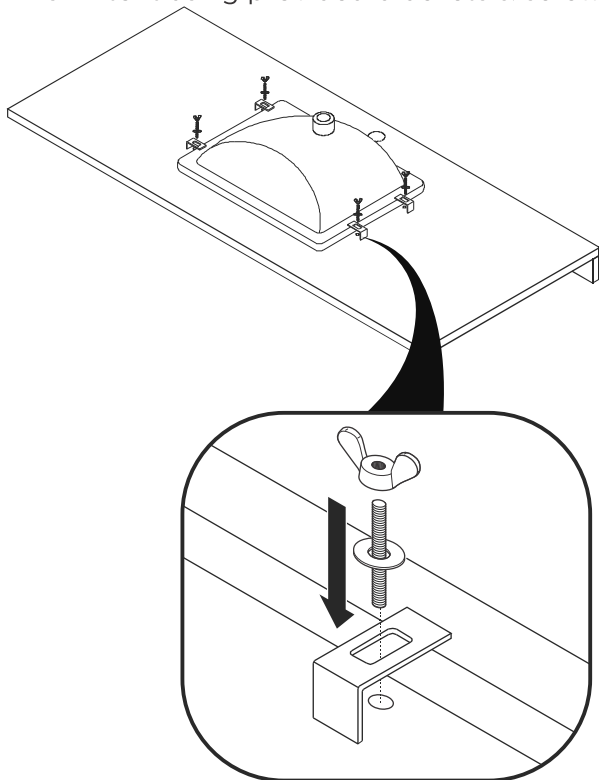
**2**

Mark anchor mounting hole locations on the wall as shown.



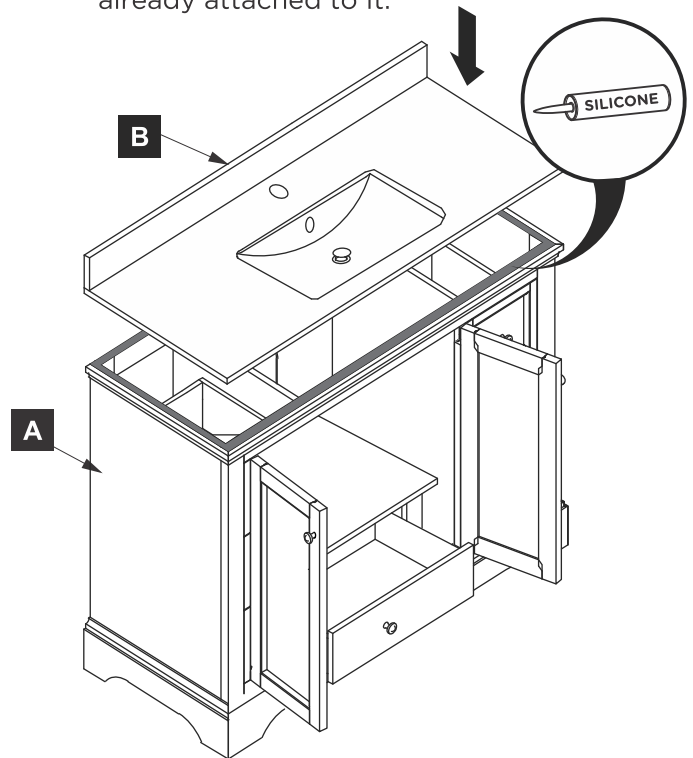
**3**

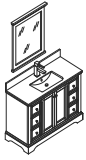
Flip counter top upside down and attach sink to it using provided brackets & screws.



**4**

Apply silicone to the top of the cabinet (A) and place counter top with sink (B) already attached to it.





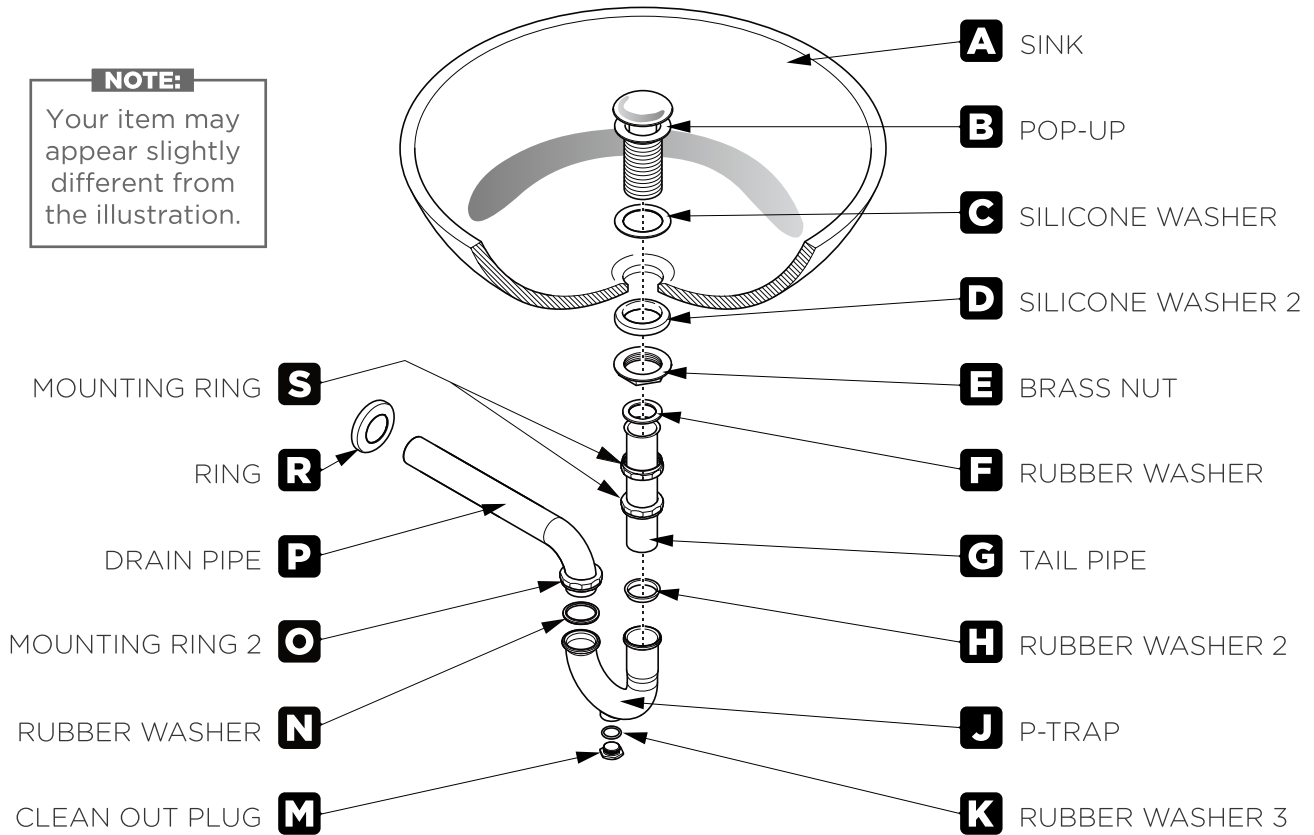
# FVN2448 WINDSOR

## INSTALLATION GUIDE



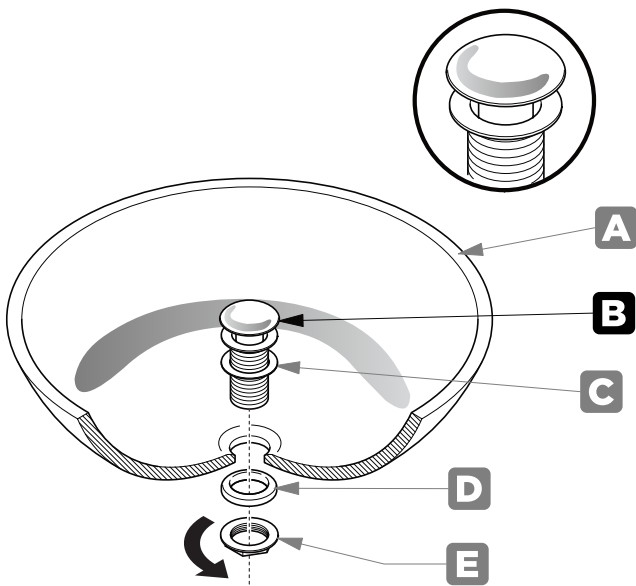
### P-TRAP & POP-UP INSTALLATION INSTRUCTIONS

**NOTE:**  
Your item may appear slightly different from the illustration.



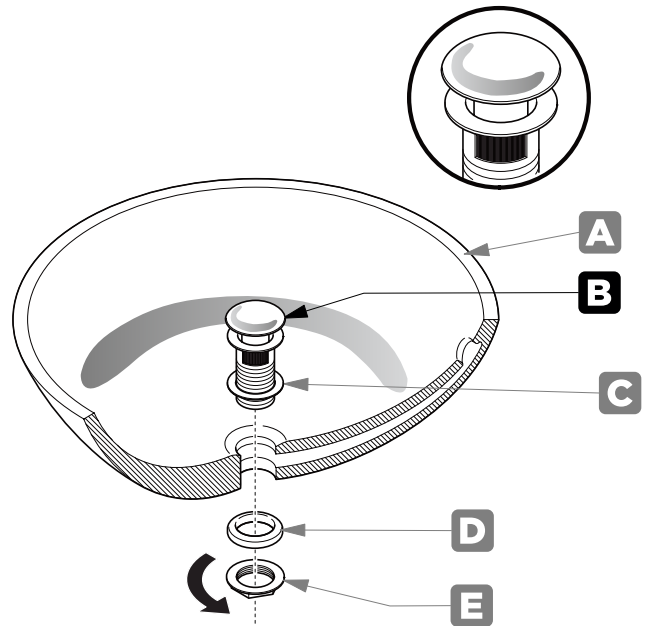
### POP-UP INSTALLATION INSTRUCTIONS

**FOR SINKS WITHOUT OVERFLOW**



OR

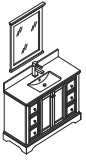
**FOR SINKS WITH OVERFLOW**



**FVN2448**

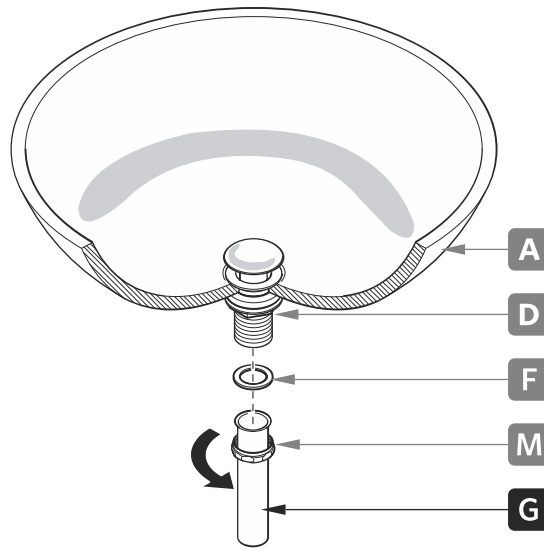
**WINDSOR**

**INSTALLATION GUIDE**



## P-TRAP INSTALLATION

**1** Install tail pipe (G)



**2** Install p-trap (J)

