



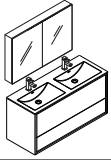
SENZA

INSTALLATION GUIDE

FVN9248-D

CONTENTS:

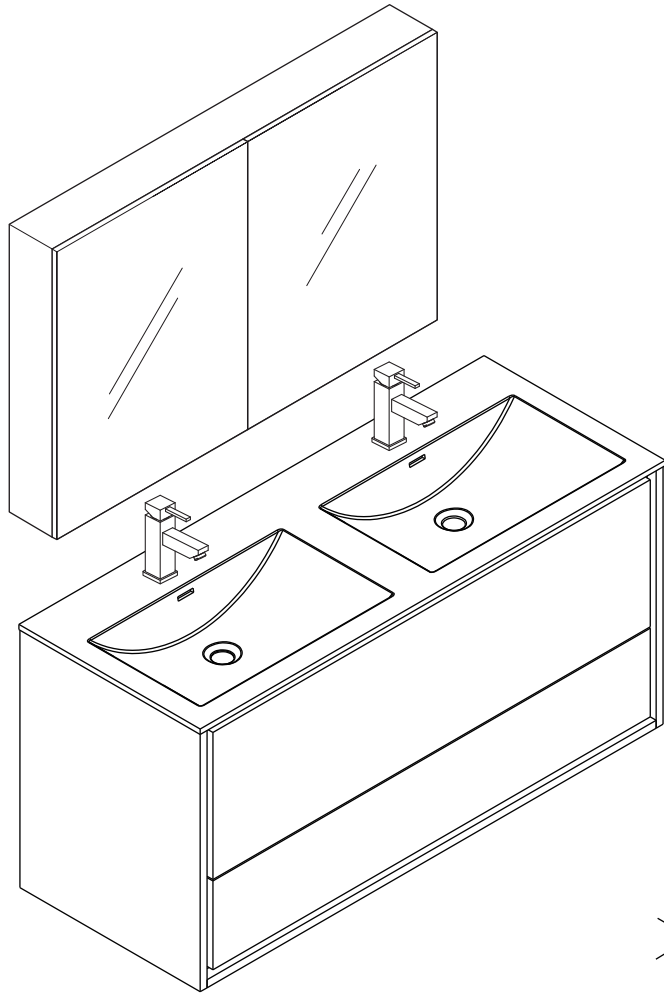
Mirror	FMC8010	PAGE 3
Cabinet	FCB9248-D	PAGE 5
Sink	FVS9248WH-D	PAGE 5



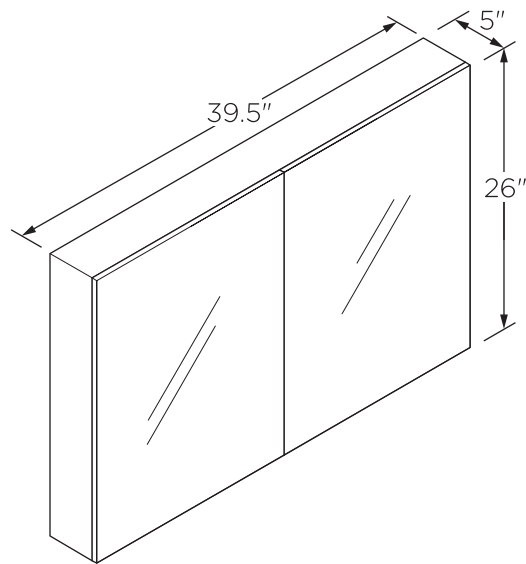
FVN9248-D
SENZA
INSTALLATION GUIDE



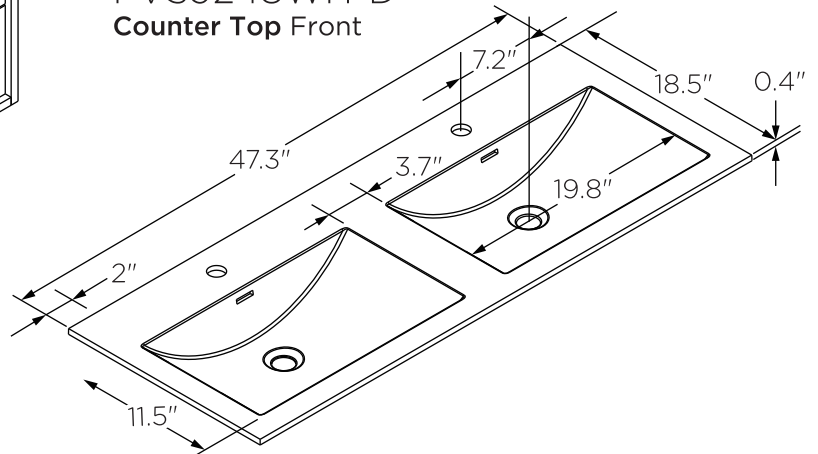
FVN9248-D
Vanity Front



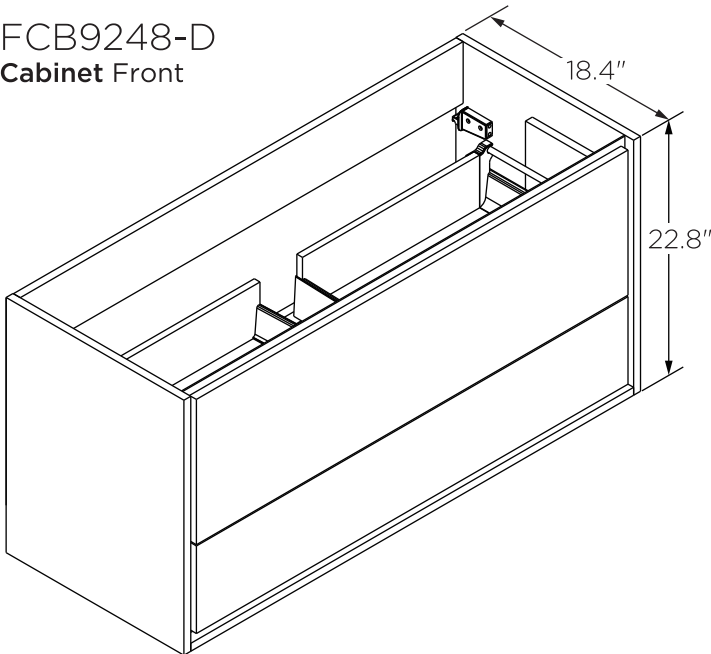
FMC8010
Medicine Cabinet Front



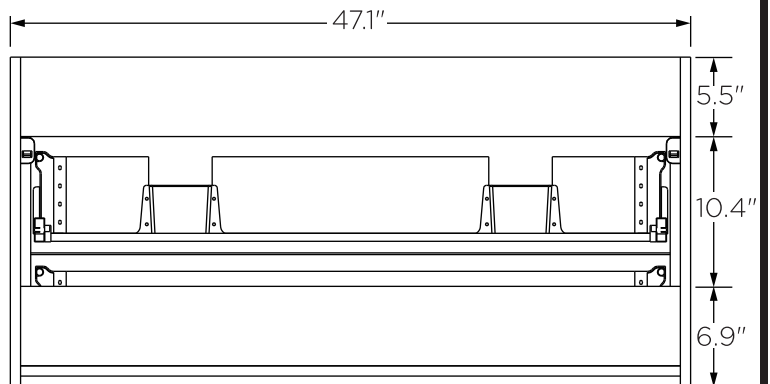
FVS9248WH-D
Counter Top Front



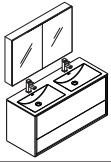
FCB9248-D
Cabinet Front



FCB9248-D
Cabinet Back



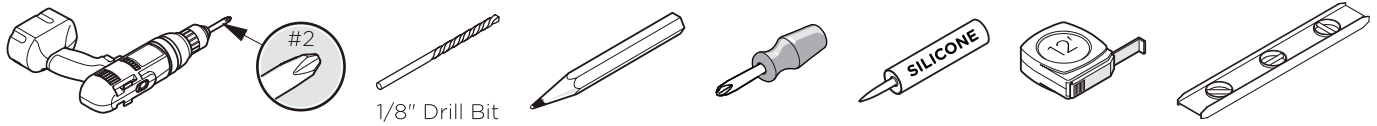
NOTE: All dimensions & specifications are approximate and subject to change without notice.



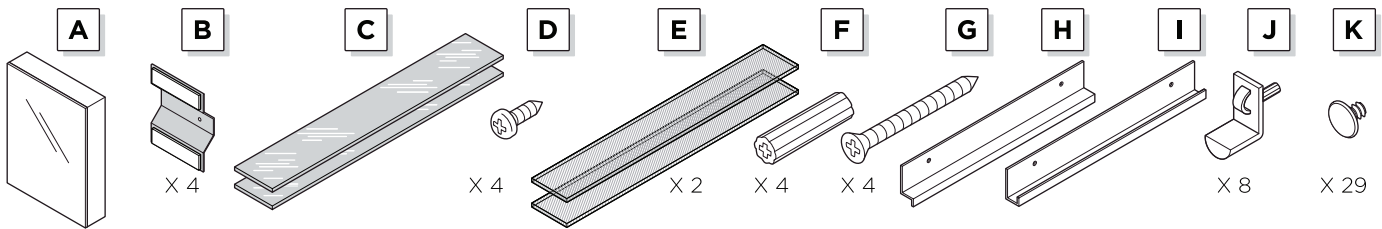
FVN9248-D SENZA INSTALLATION GUIDE



TOOLS FOR ASSEMBLY



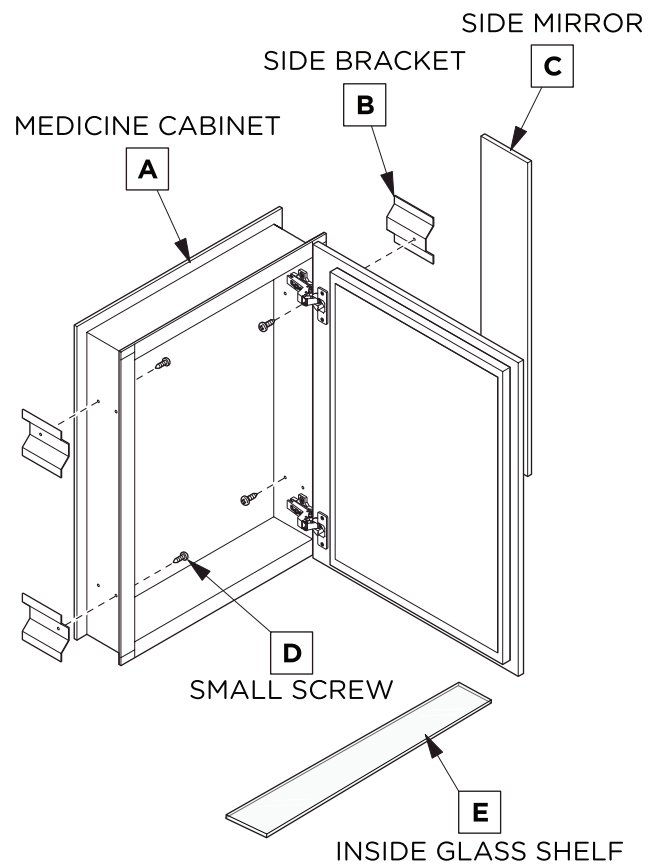
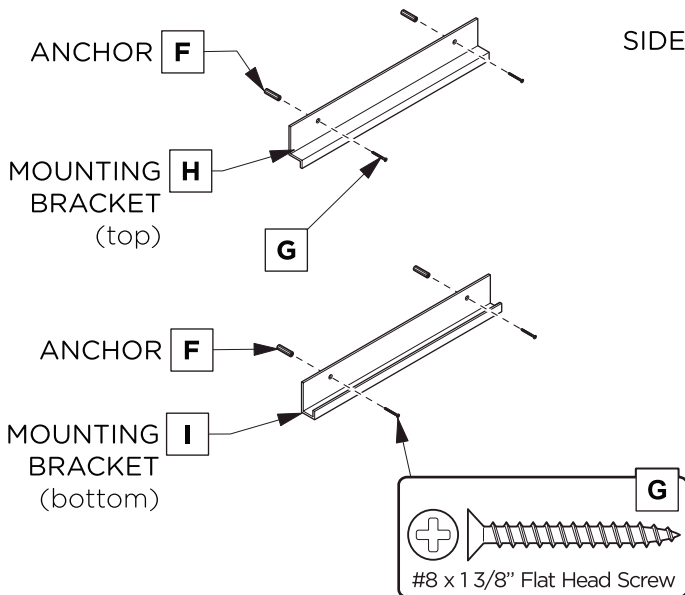
SUPPLIED PARTS



Your item may appear slightly different from the illustration

MEDICINE CABINET DIMENSIONS

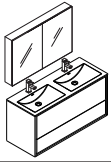
Model SKU	Width A	Height B	Depth
FMC8058	19.5"	26"	5"
FMC8090	29.5"	26"	5"
FMC8010	39.5"	26"	5"



DANGER:
Risk of electronic shock. Avoid existing electrical wiring or plumbing when mounting this product to the wall.



WARNING:
Risk of property damage. Use anchors rated for the loaded weight of the product. Refer to the anchor manufacturer's instructions.

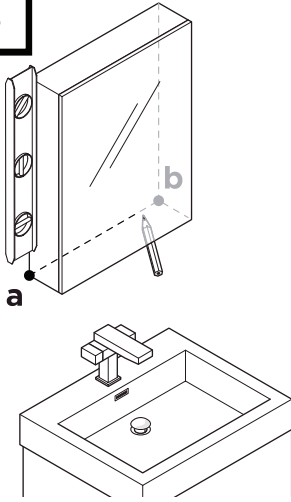


FVN9248-D SENZA INSTALLATION GUIDE



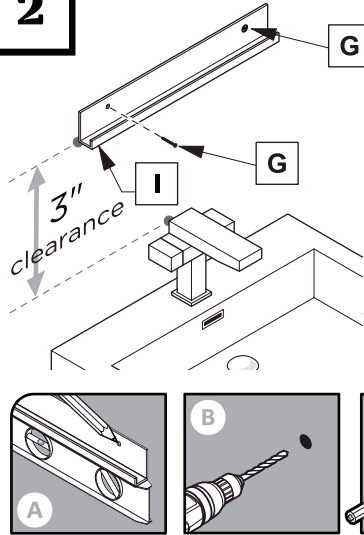
SURFACE-MOUNT INSTALLATION

1



Level and mark the medicine cabinet's location on the wall from point **a** to point **b**.

2



Level and mark.

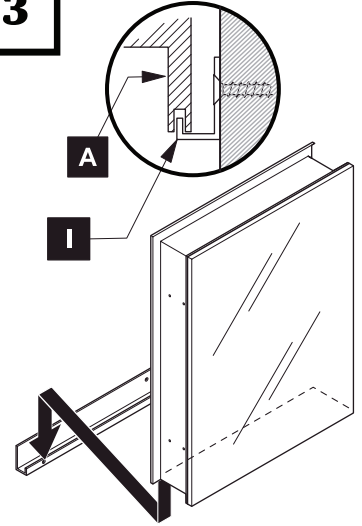
Drill the holes in the wall with a 3/16" drill bit.

Insert the anchors in the holes.

Attach bottom bracket to the wall.

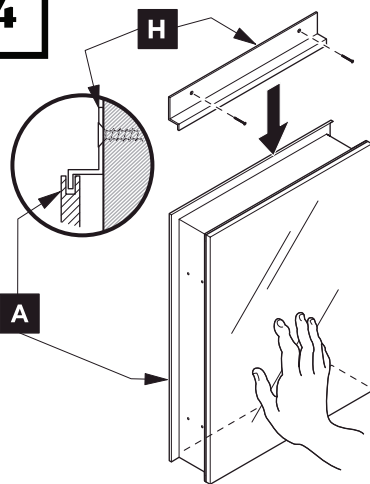
IMPORTANT: Consult an expert for the proper screws/bolts to use when attaching to various constructions. Screws provided **do not** attach to all wall construction types. Anchors are not required if brackets are installed in stud.

3



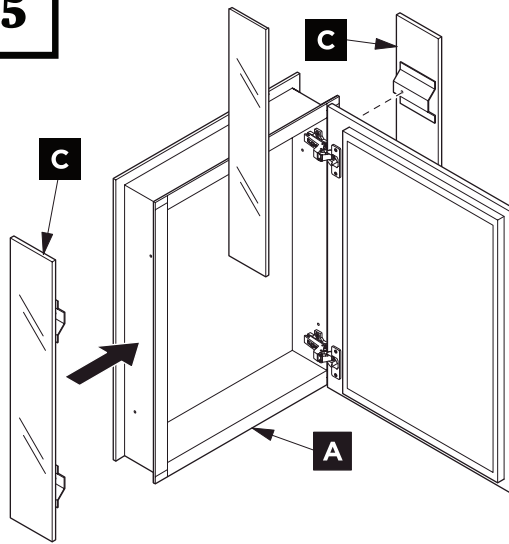
With assistance, rest the medicine cabinet on the bottom mounting bracket and hold it in place.

4



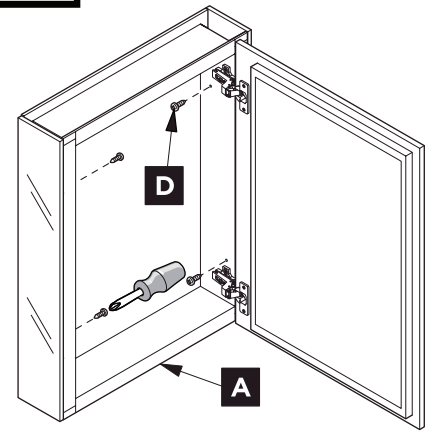
Hold the medicine cabinet (**A**) while it's placed on the bottom bracket, then secure by fitting the top bracket (**H**) on top of the medicine cabinet, and attach the top bracket (**H**) to the wall.

5



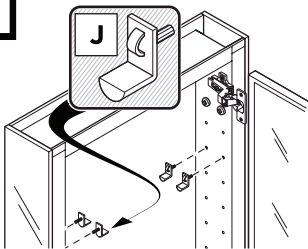
Align mirrored side panels (**C**) to each side of the medicine cabinet.

6



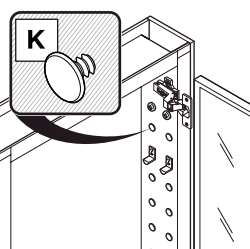
Attach mirrored side panels to the medicine cabinet using a screwdriver and provided screws (**D**).

7



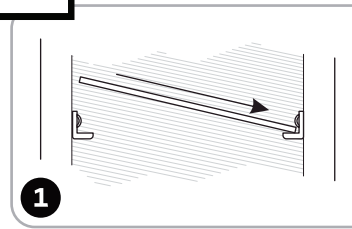
Push and twist the snap-in pins (**J**) into place.

8

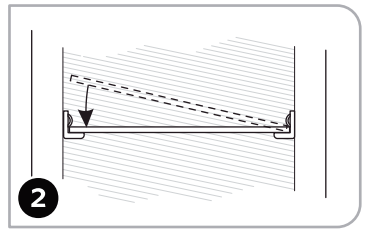


Fill remaining holes with the plugs (**K**).

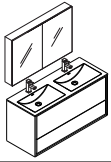
9



Push a side of the shelf (**E**) into left or right pins (**J**).



Snap the shelf (**E**) down into the opposite side.

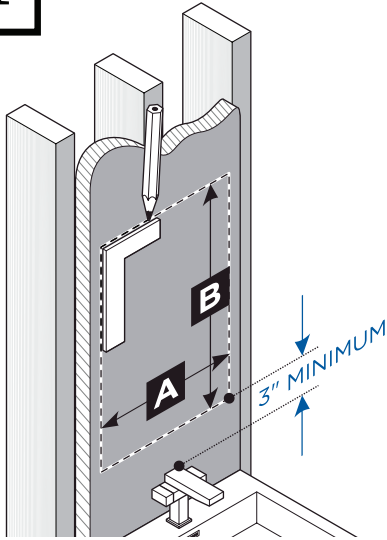


FVN9248-D SENZA INSTALLATION GUIDE



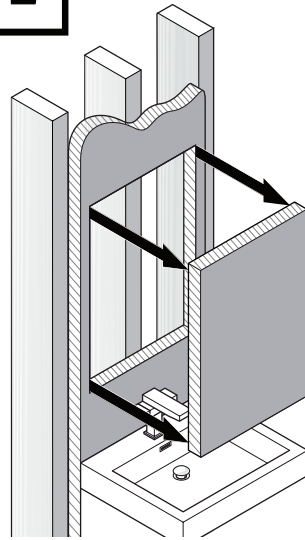
RECESS-MOUNT INSTALLATION

1



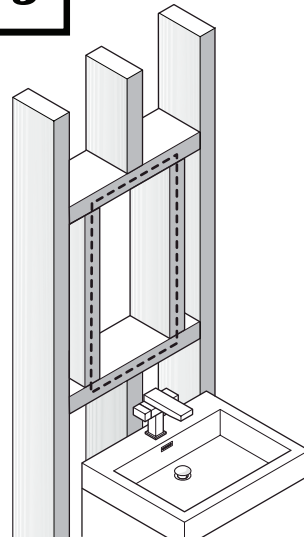
Draw the perimeter of the medicine cabinet on the wall.

2



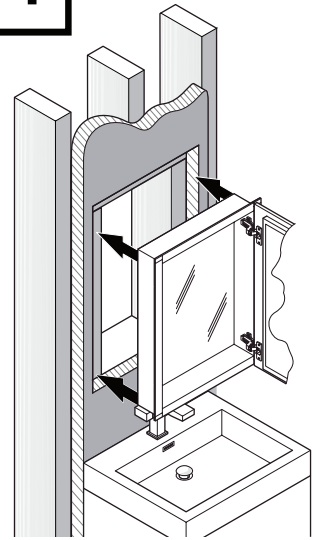
Place and hold the medicine cabinet in the cutout opening.

3



Frame the cutout opening.

4

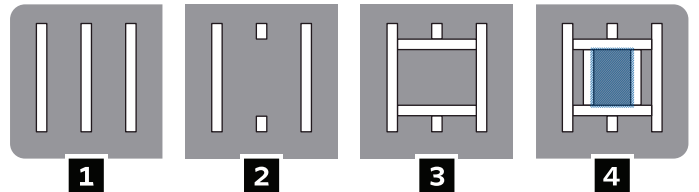


Cut the marked perimeter with appropriate tool.

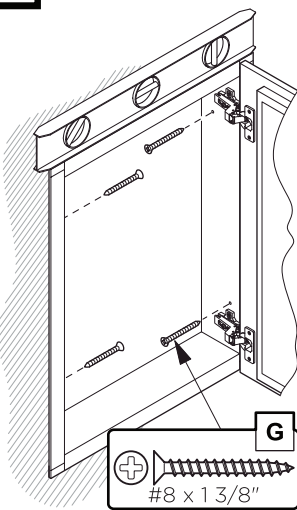
ROUGH IN DIMENSIONS

Model SKU	Width A	Height B	Depth
FMC8058	19.5"	26"	5"
FMC8090	29.5"	26"	5"
FMC8010	39.5"	26"	5"

4 STEPS TO FRAME THE CUTOUT OPENING

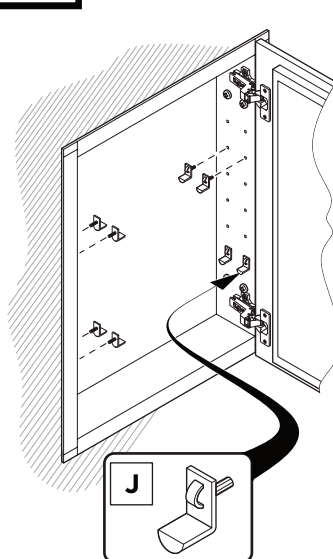


5



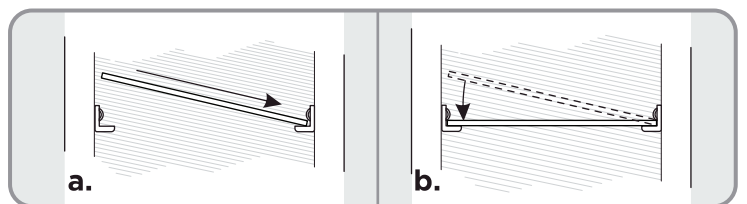
Level, then secure the medicine cabinet with the screws (**G**) through the mounting holes into the framing studs.

6



Choose the position for your shelves then push and twist the snap-in pins (**J**) into place.

7



a. Push a side of the glass shelf (**C**) into left or right pins (**J**).

b. Snap the glass shelf (**C**) into the opposite side.

c. Fill remaining holes with the plugs (**K**).

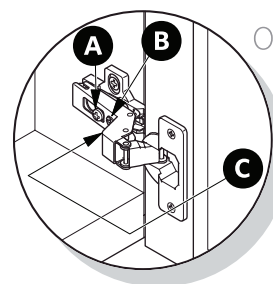
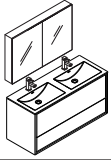


Illustration A.

OPTIONAL DOOR ADJUSTMENT:

- A** This screw allow you to adjust pitch side to side.
- B** This screw releases cabinet's door and allows up and down adjustment.
- C** This screw allow you to adjust the gap between doors.

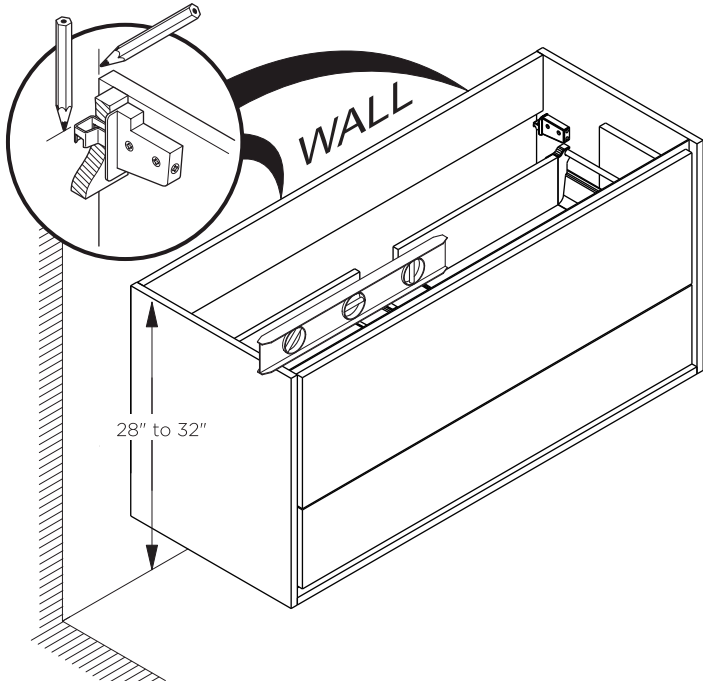


FVN9248-D SENZA INSTALLATION GUIDE

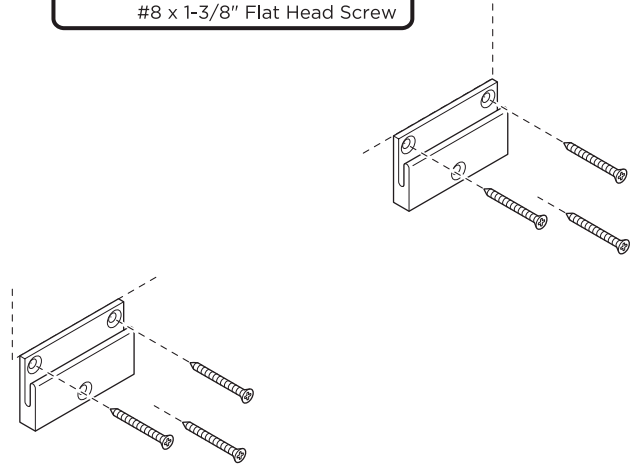
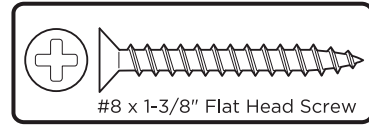


CABINET INSTALLATION

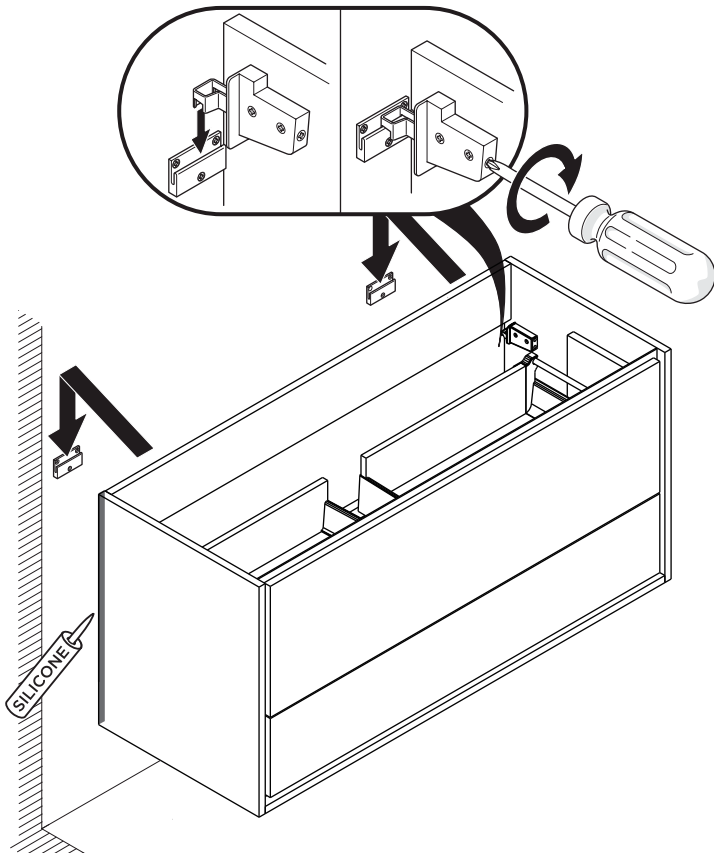
1 Locate cabinet & mark location on the wall



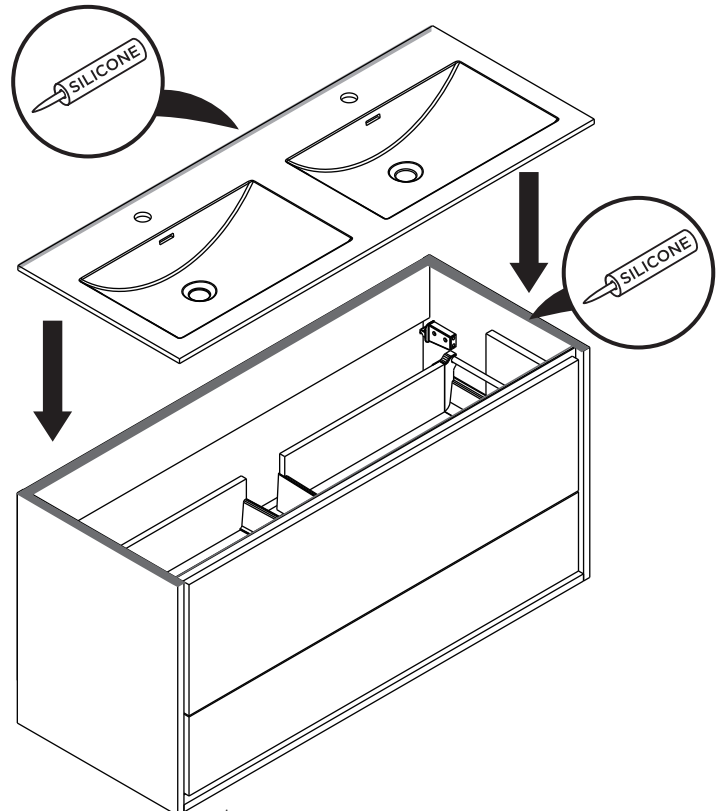
2 Install wall brackets

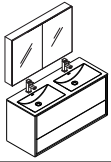


3 Install cabinet



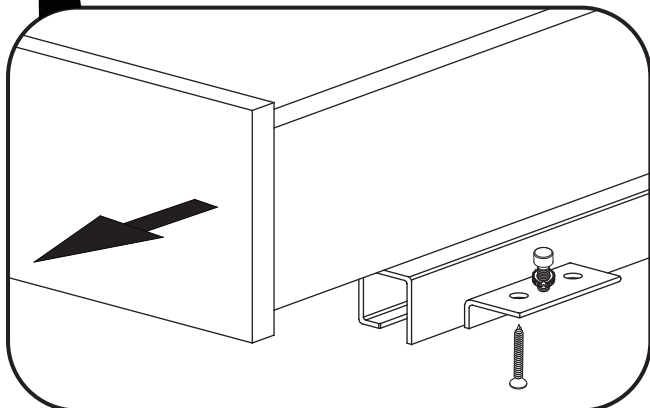
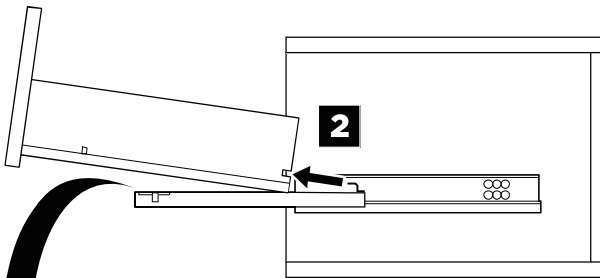
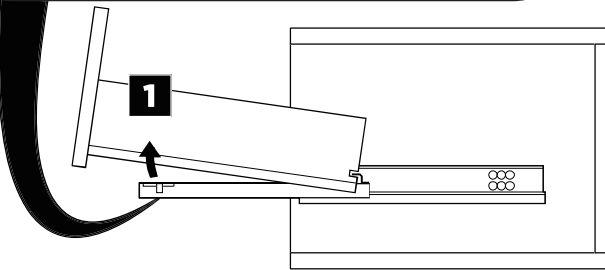
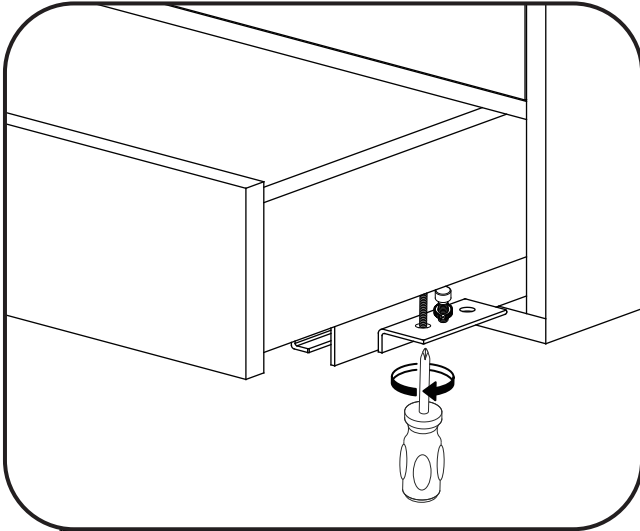
4 Apply a bead of silicone on the top of the cabinet and place sink on the cabinet



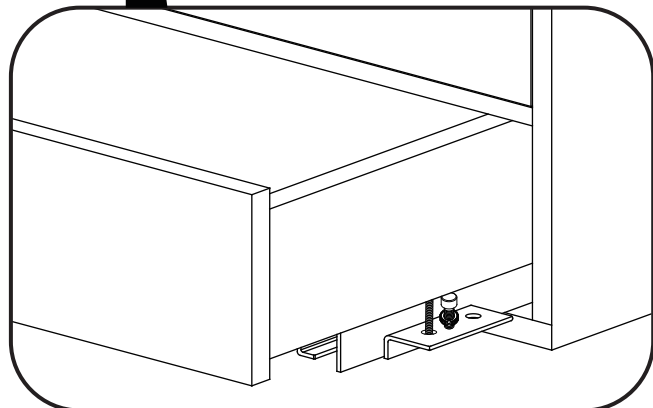
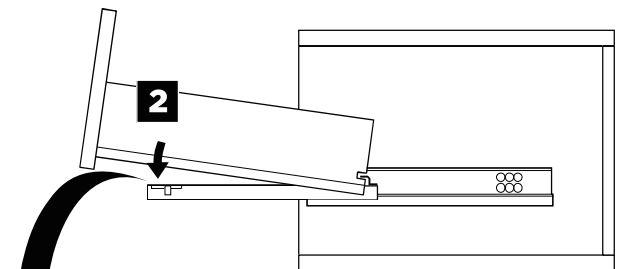
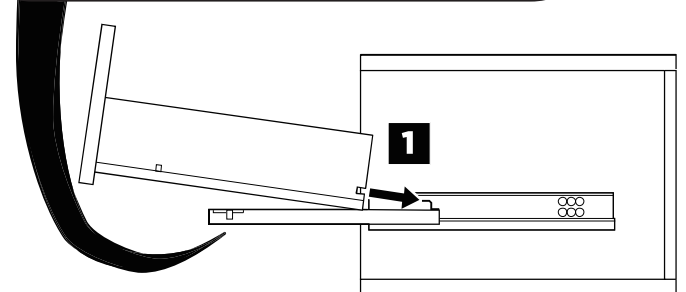
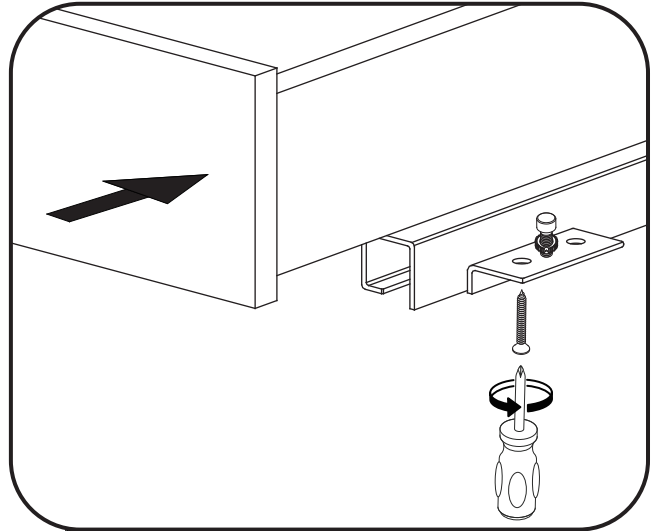


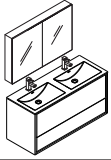
DRAWER REMOVAL & INSTALLATION

REMOVAL



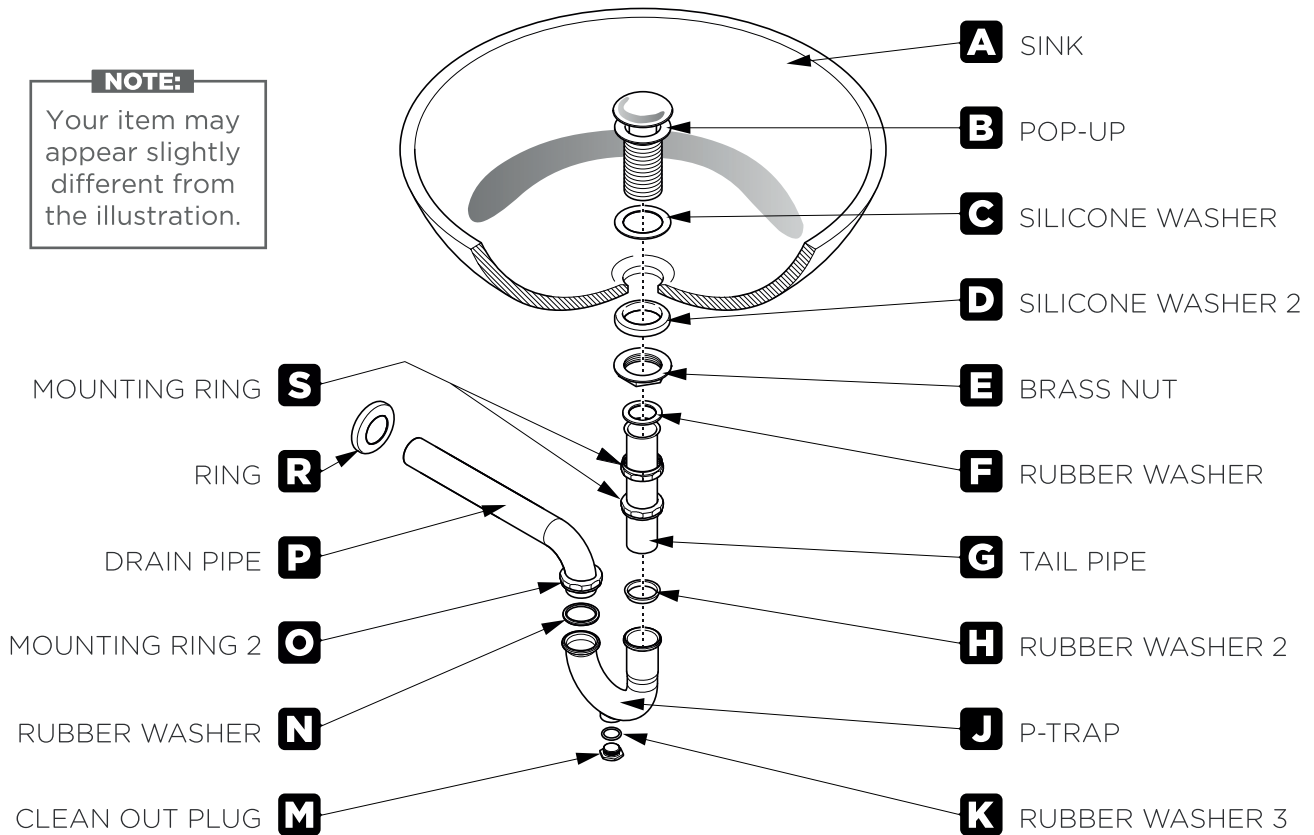
INSTALLATION





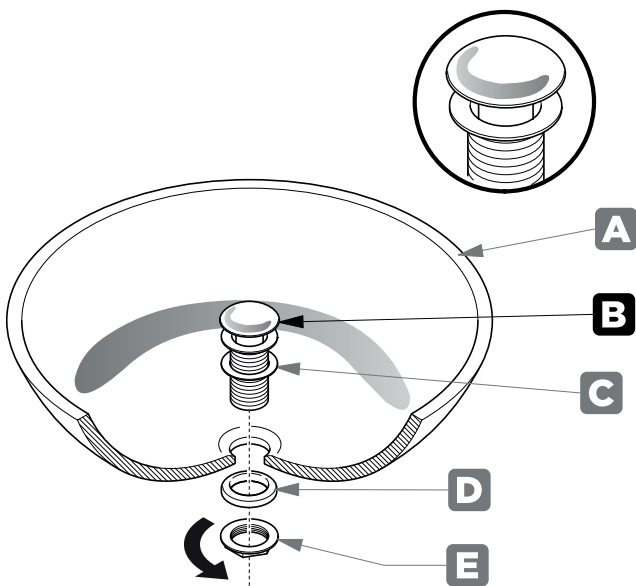
P-TRAP AND POP-UP INSTALLATION INSTRUCTIONS

NOTE:
Your item may appear slightly different from the illustration.



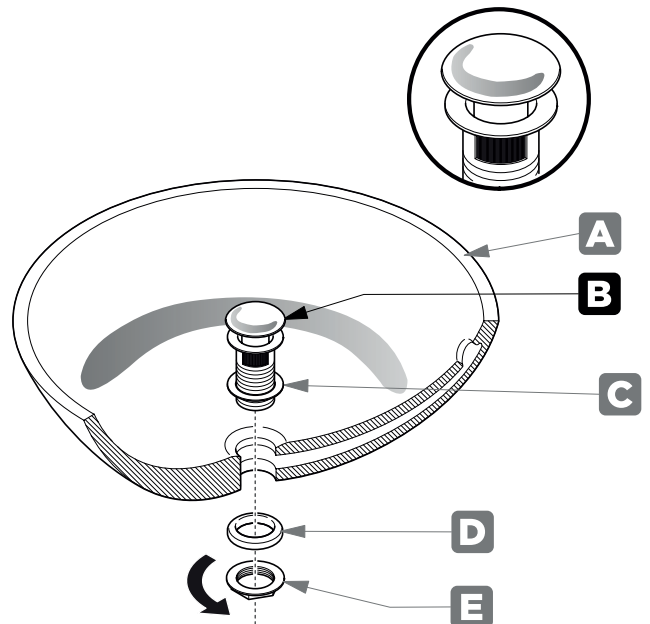
POP-UP INSTALLATION INSTRUCTIONS

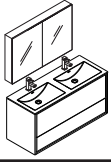
FOR SINKS WITHOUT OVERFLOW



OR

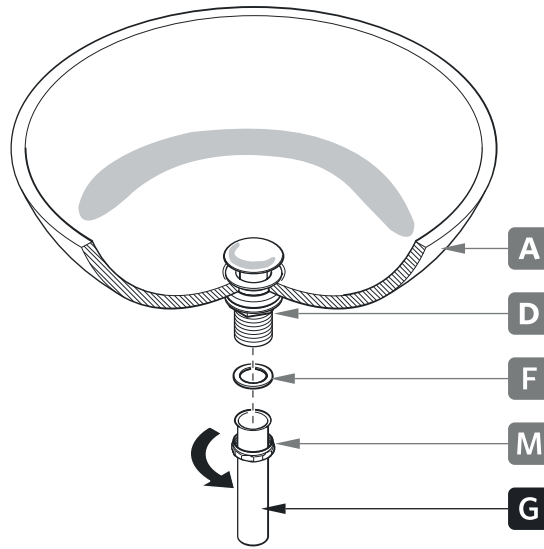
FOR SINKS WITH OVERFLOW





P-TRAP INSTALLATION

1 Install tail pipe (G)



2 Install p-trap (J)

