



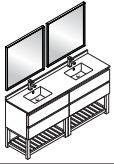
# FORMOSA

## **INSTALLATION GUIDE**

FVN31-3636ACA-FS

## CONTENTS:

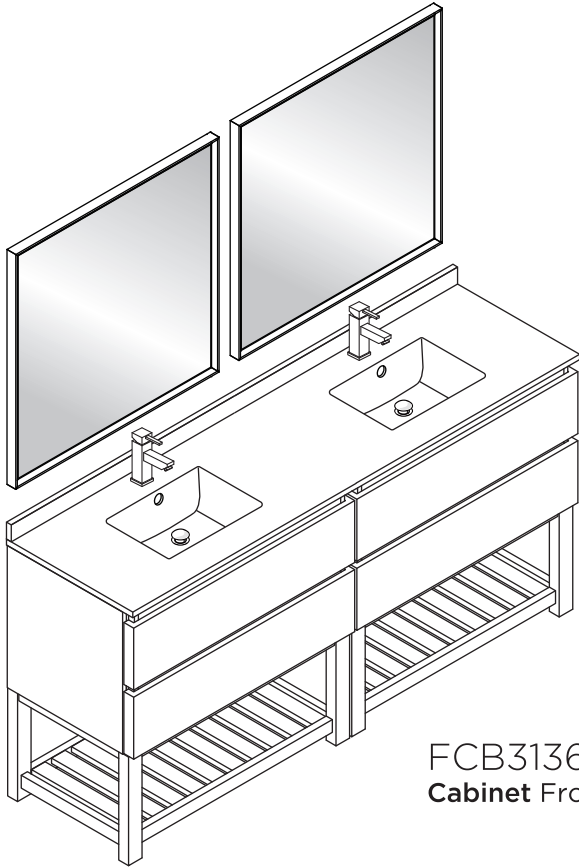
Mirror .....	FMR3132ACA .....	PAGE 2
Cabinet .....	FCB3136ACA .....	PAGE 3
Sink .....	FCT2073WH-D-CMB .....	PAGE 3



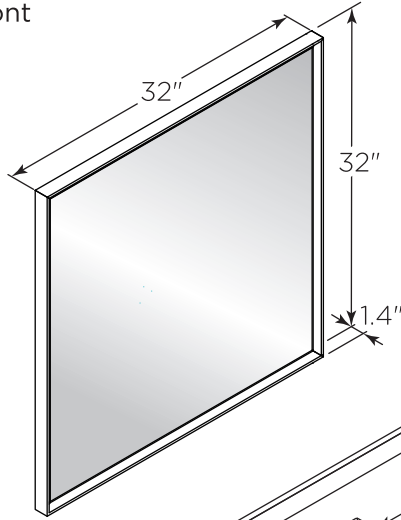
# FVN31-3636ACA-FS FORMOSA INSTALLATION GUIDE



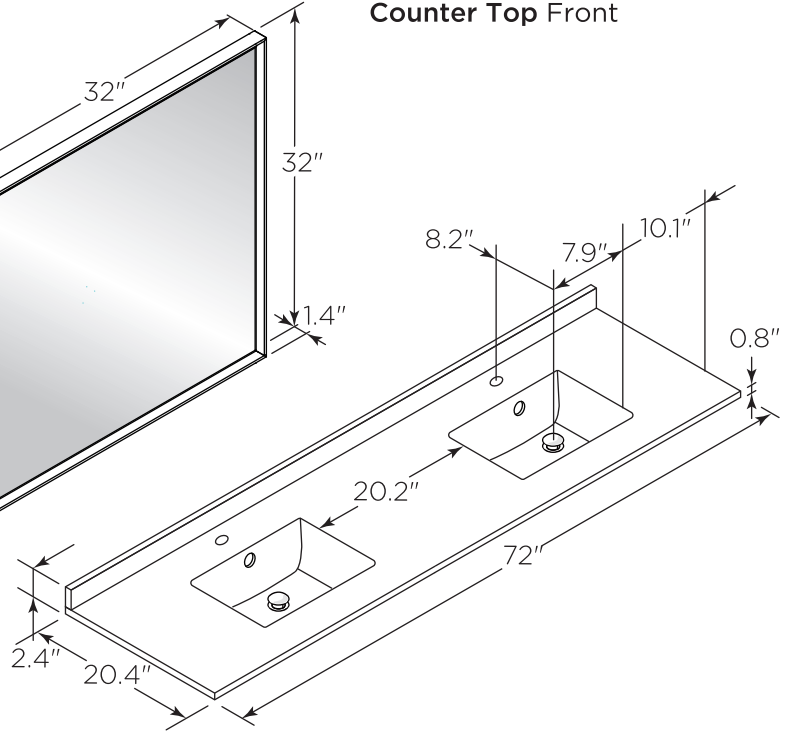
FVN31-3636ACA-FS  
Vanity Front



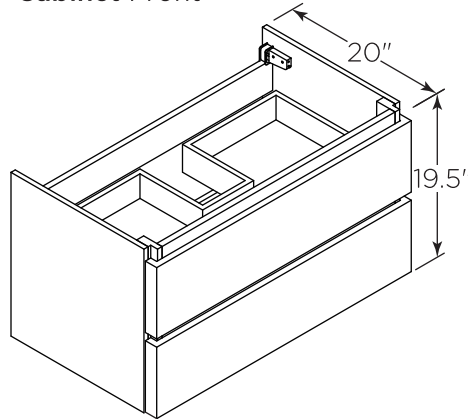
FMR3132ACA (X2)  
Mirror Front



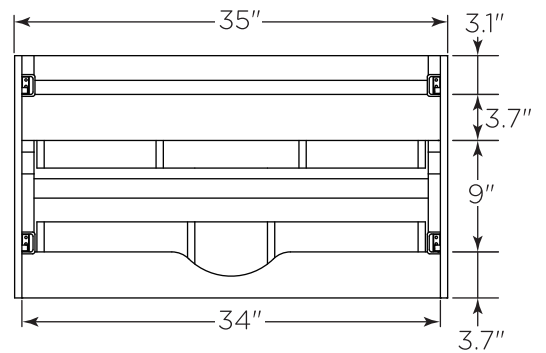
FCT2073WH-D-CMB  
Counter Top Front



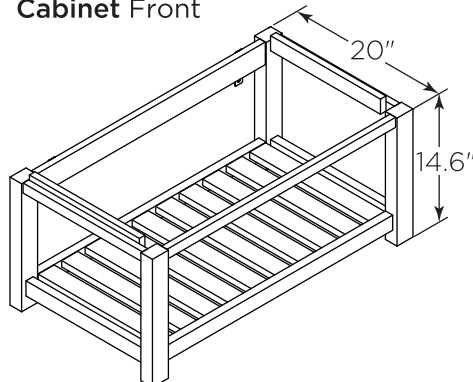
FCB3136ACA (X2)  
Cabinet Front



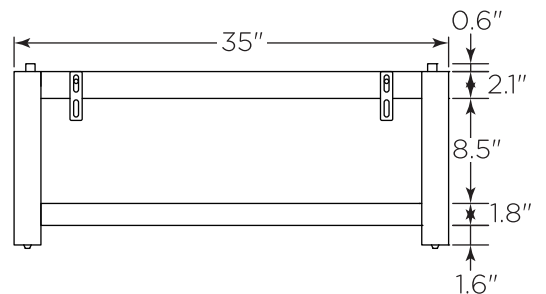
FCB3136ACA  
Cabinet Back



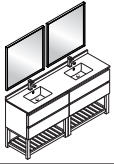
FSF3136ACA (X2)  
Cabinet Front



FSF3136ACA  
Cabinet Back



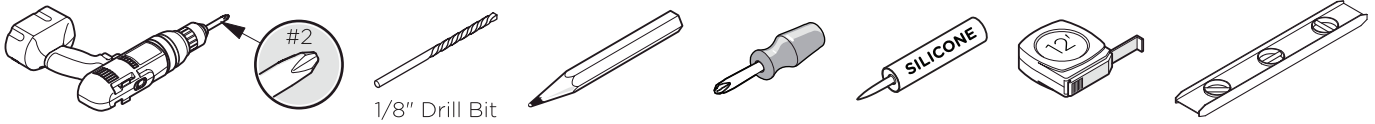
**NOTE:** All dimensions & specifications are approximate and subject to change without notice.



# FVN31-3636ACA-FS FORMOSA INSTALLATION GUIDE

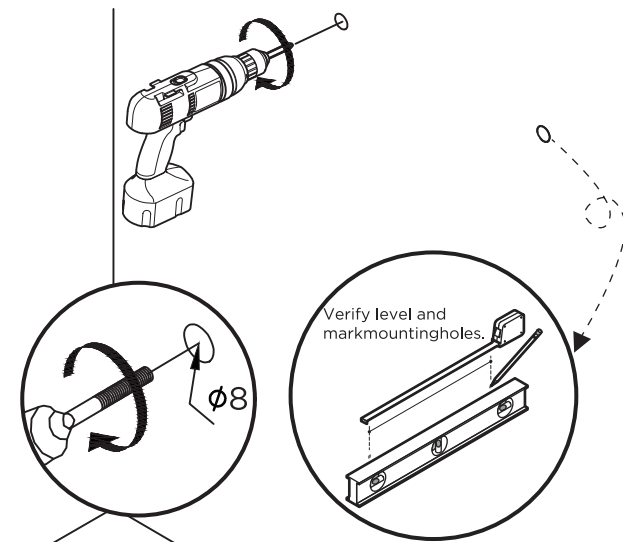


## TOOLS FOR ASSEMBLY

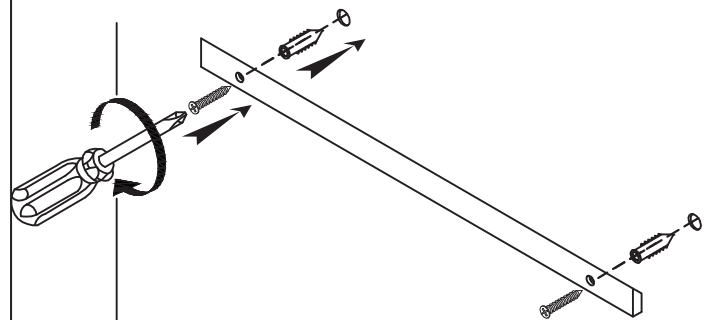


## MIRROR INSTALLATION

- 1** Measure distance between the holes and mark it on the wall using a level.

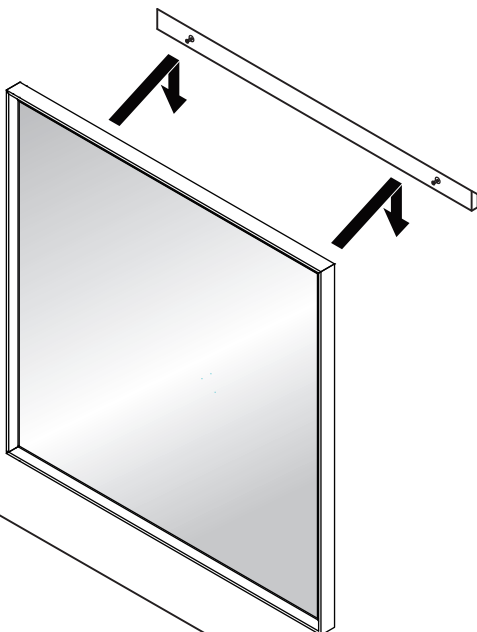


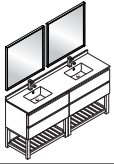
- 2** Press the anchors into the holes.



**IMPORTANT:** Consult an expert for the proper screws/bolts to use when attaching to various constructions. Screws provided do not attach to all wall construction types. Anchors are not required if brackets are installed in stud.

- 3** Hang mirror on the screws.

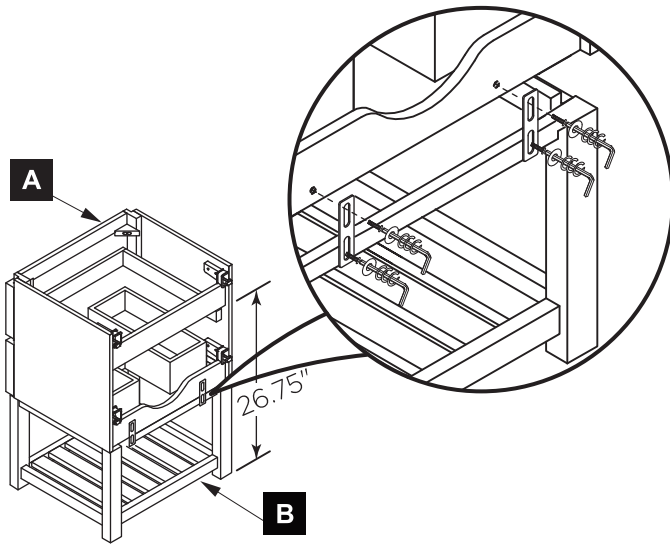




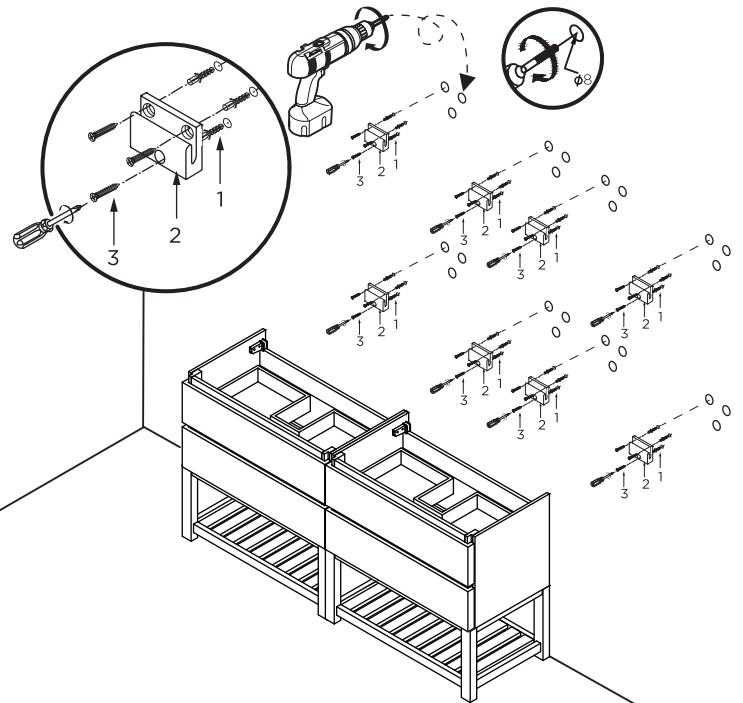
### CABINET AND SINK INSTALLATION

**1** Connect cabinet (A) to cabinet (B) with iron sheet.

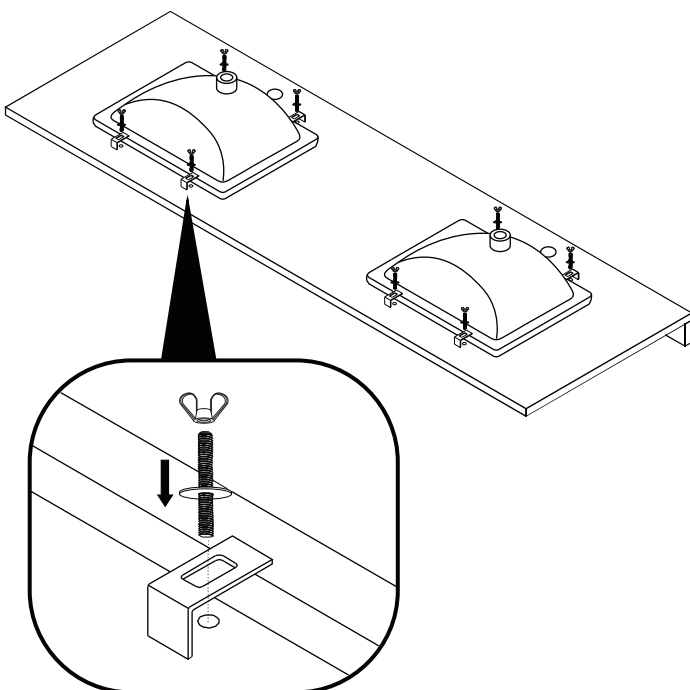
**IMPORTANT:** Consult an expert for the proper screws/bolts to use when attaching to various constructions, Screws provided do not attach to all wall construction types. Anchors are not required if brackets are installed in stud.



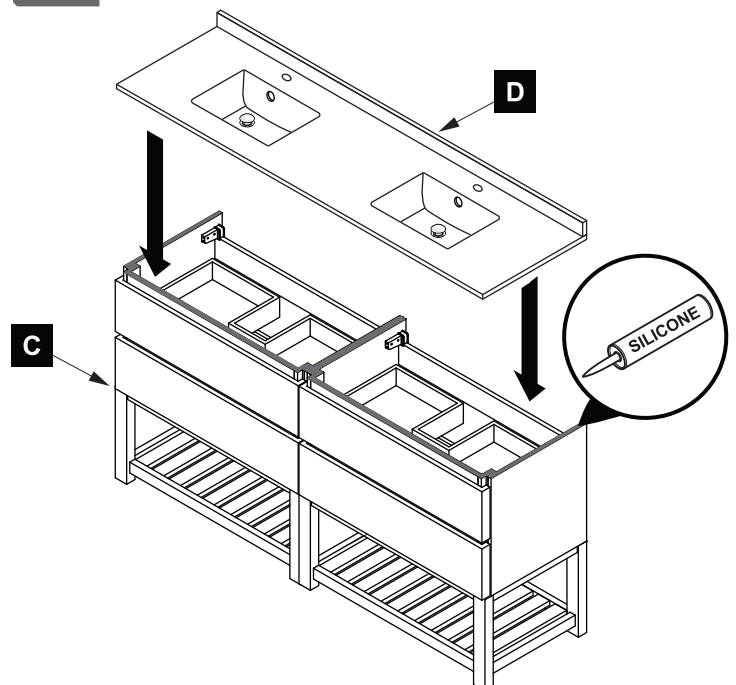
**2** Mark anchor mounting hole locations on wall as shown. Drill holes in the finished wall as required. Then insert the anchor(1) into the holes and secure the wall bracket(2) with the screws(3).

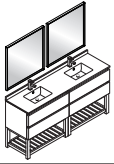


**3** Install sink.



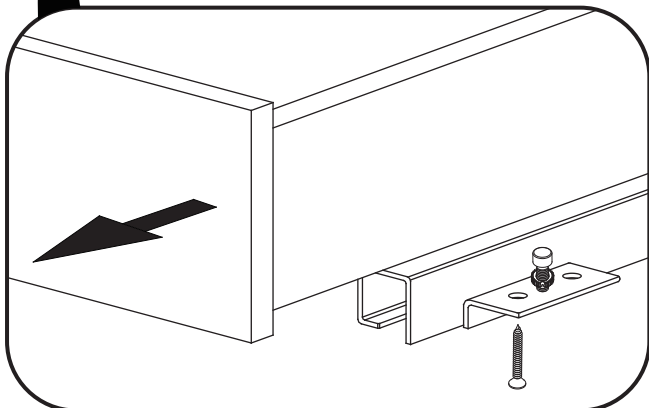
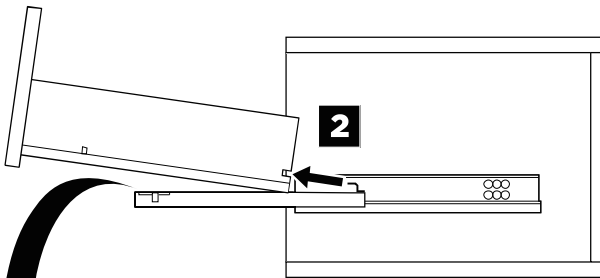
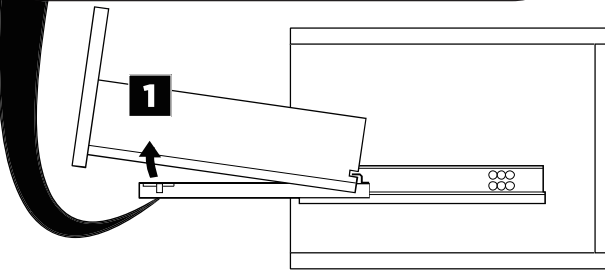
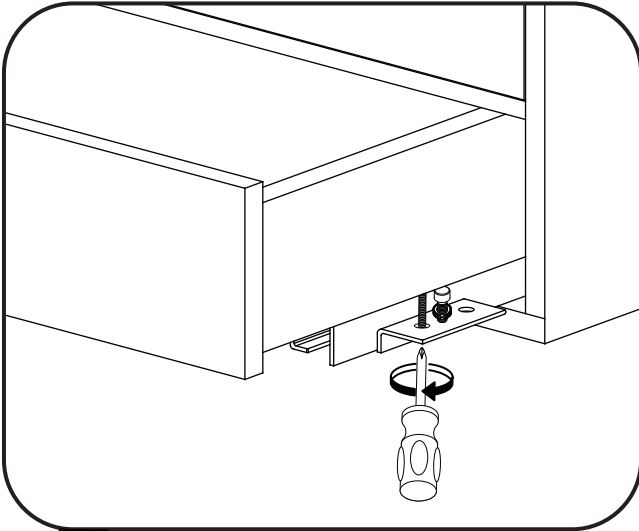
**4** Apply a bead of silicone on the top of the cabinet (C) and place sink (D) on the cabinet.



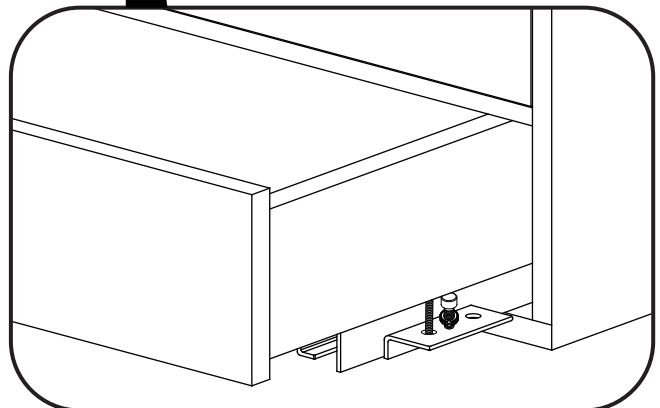
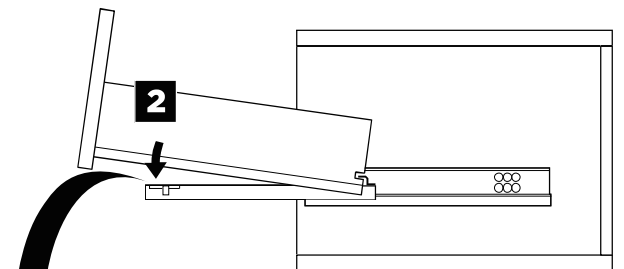
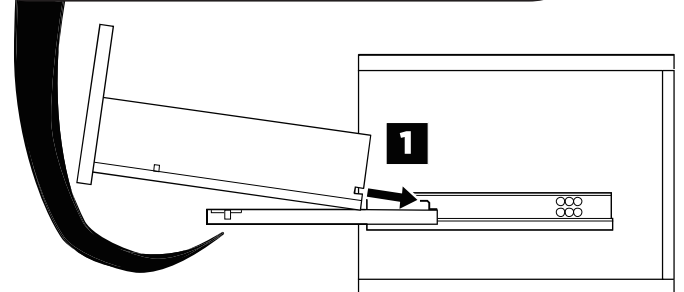
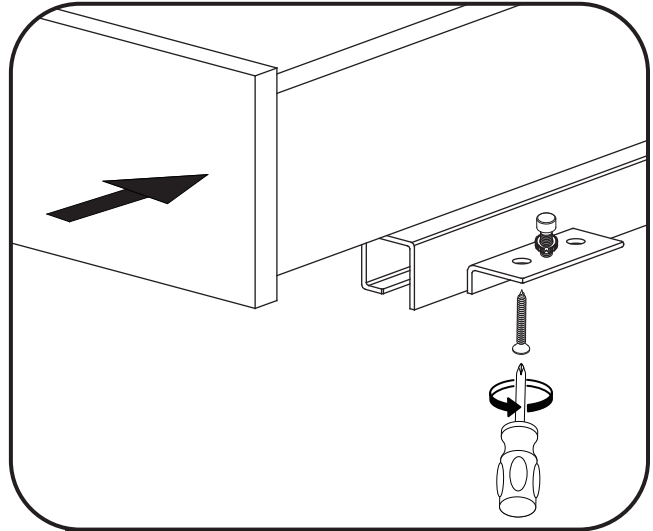


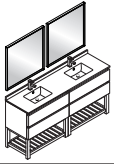
**DRAWER REMOVAL & INSTALLATION**

**REMOVAL**



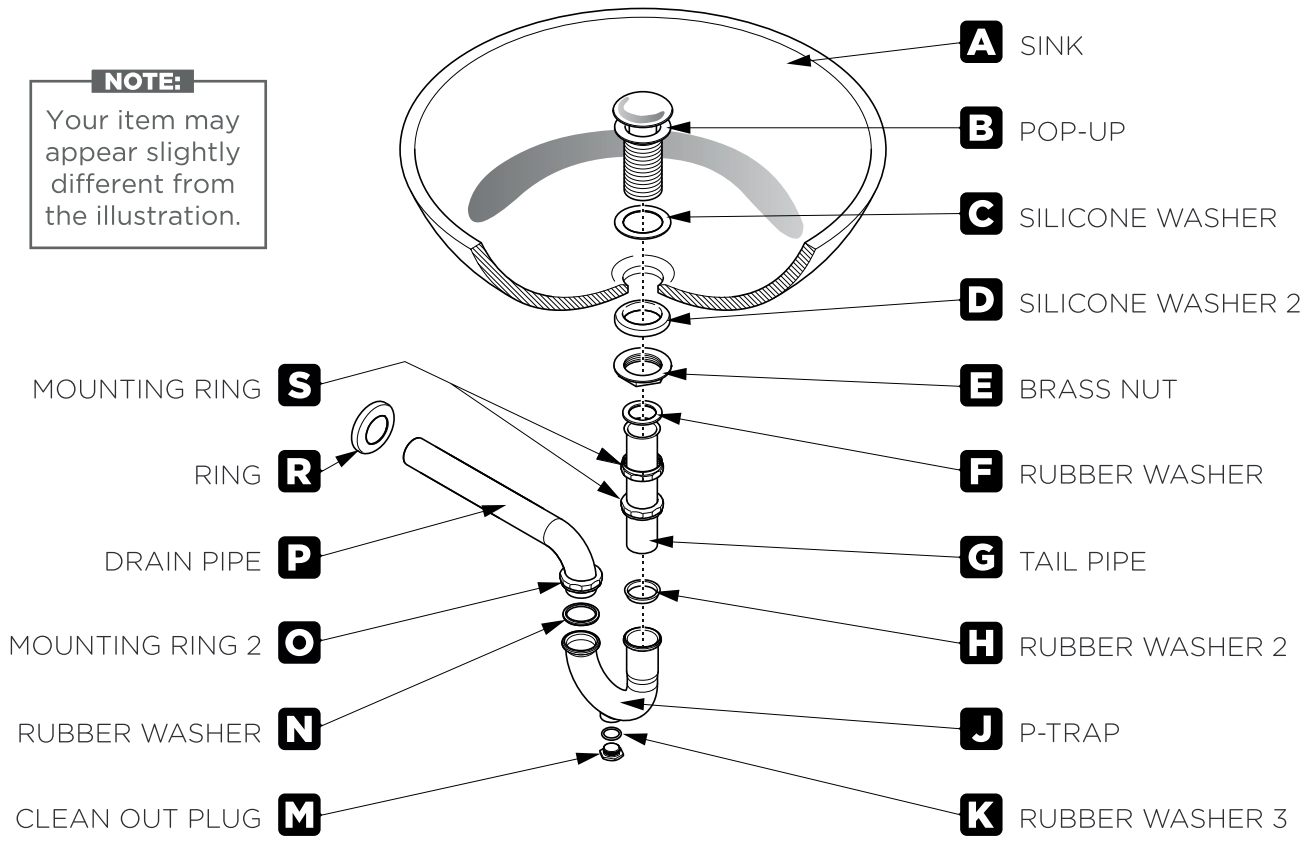
**INSTALLATION**





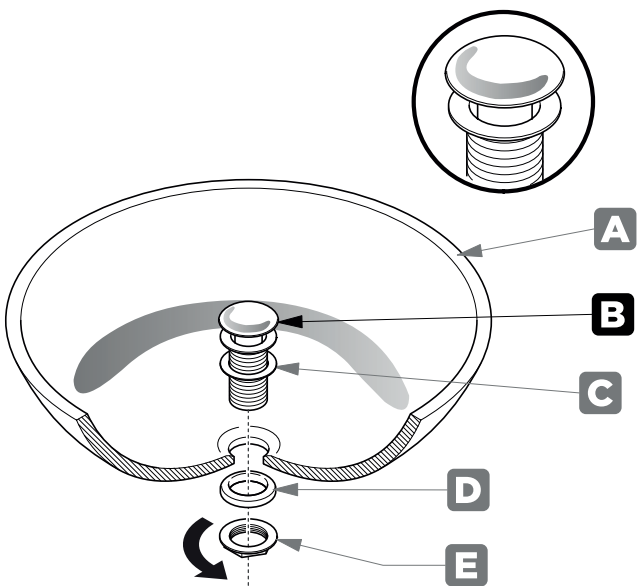
**P-TRAP AND POP-UP INSTALLATION INSTRUCTIONS**

**NOTE:**  
 Your item may appear slightly different from the illustration.



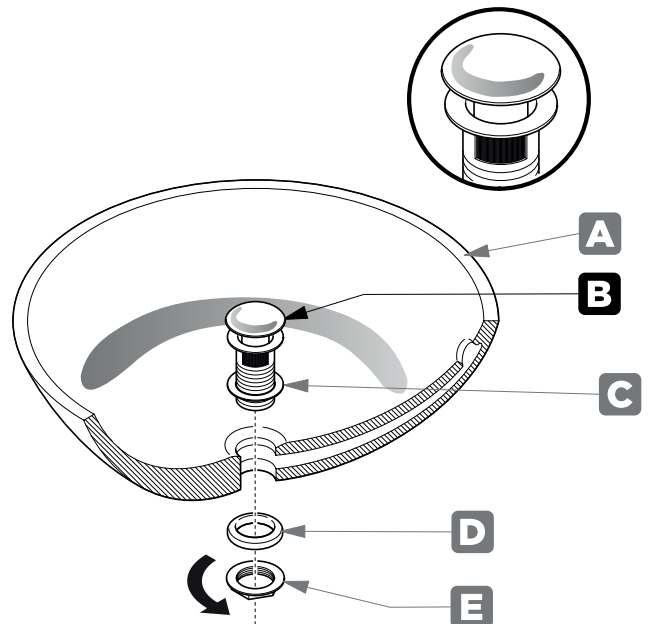
**POP-UP INSTALLATION INSTRUCTIONS**

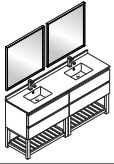
**FOR SINKS WITHOUT OVERFLOW**



OR

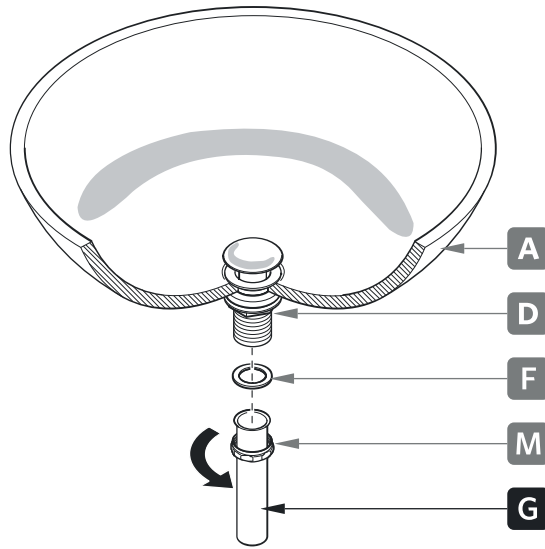
**FOR SINKS WITH OVERFLOW**





## P-TRAP INSTALLATION

**1** Install tail pipe (G)



**2** Install p-trap (J)

