



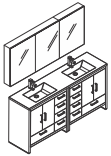
# SENZA

## **INSTALLATION GUIDE**

FVN9472

## CONTENTS:

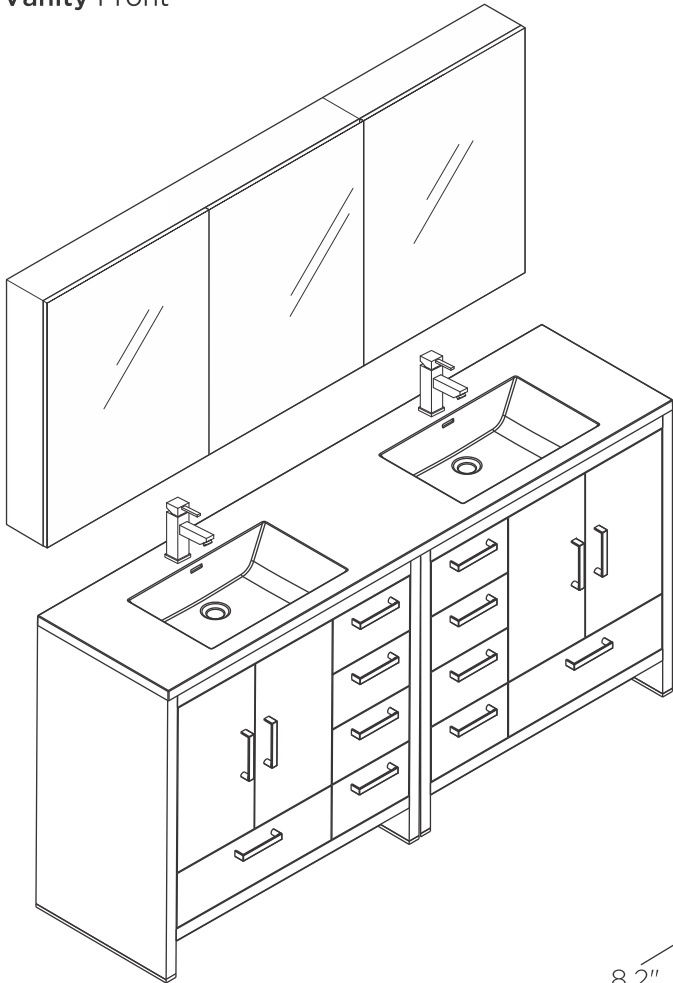
Mirror.....	FMC8019 .....	PAGE 3
Cabinet .....	FCB9472 .....	PAGE 5
Sink.....	FVS9372WH .....	PAGE 5



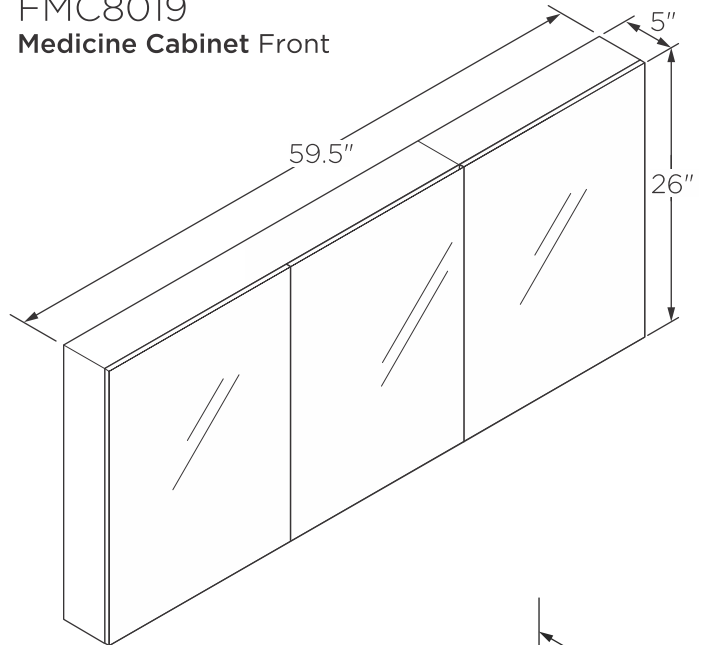
**FVN9472**  
**SENZA**  
**INSTALLATION GUIDE**



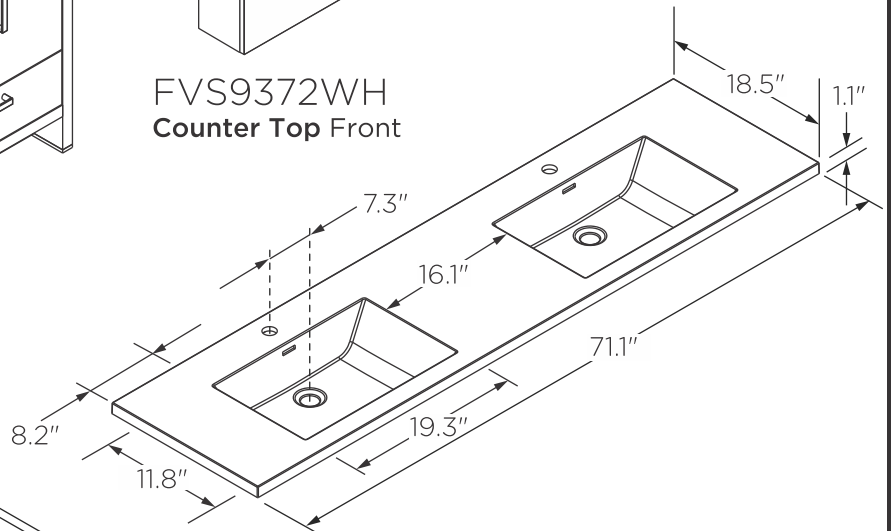
**FVN9472**  
**Vanity Front**



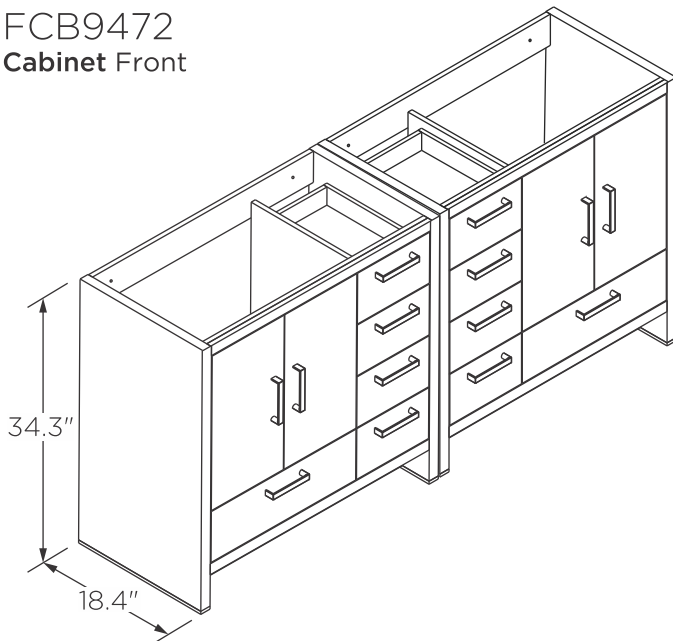
**FMC8019**  
**Medicine Cabinet Front**



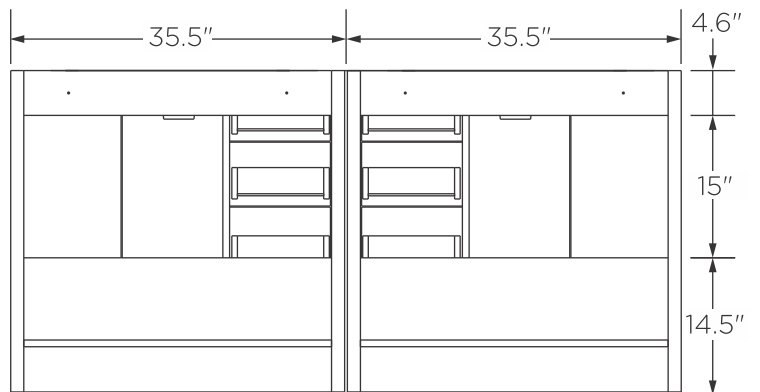
**FVS9372WH**  
**Counter Top Front**



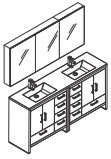
**FCB9472**  
**Cabinet Front**



**FCB9472**  
**Cabinet Back**



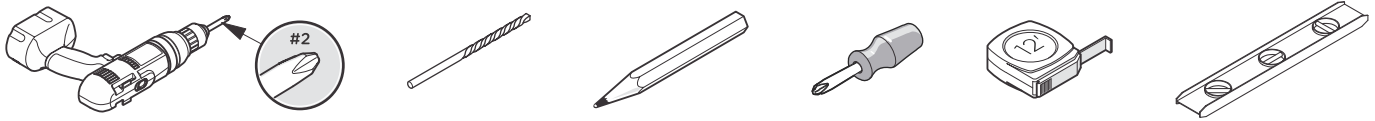
**NOTE:** All dimensions & specifications are approximate and subject to change without notice.



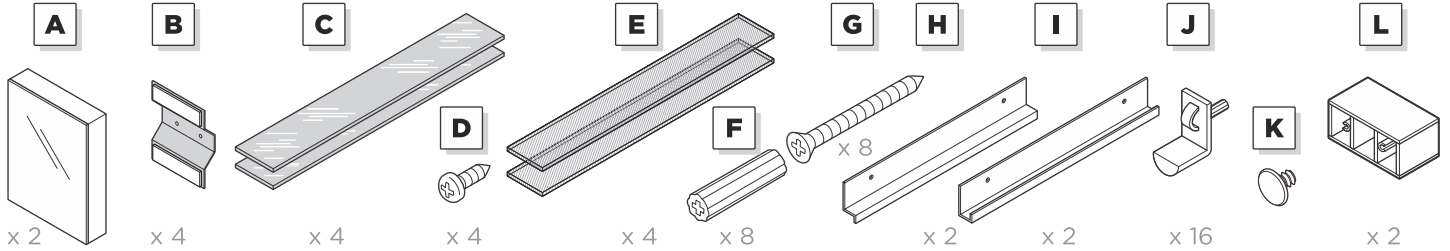
# FVN9472 SENZA INSTALLATION GUIDE



## TOOLS REQUIRED FOR ASSEMBLY



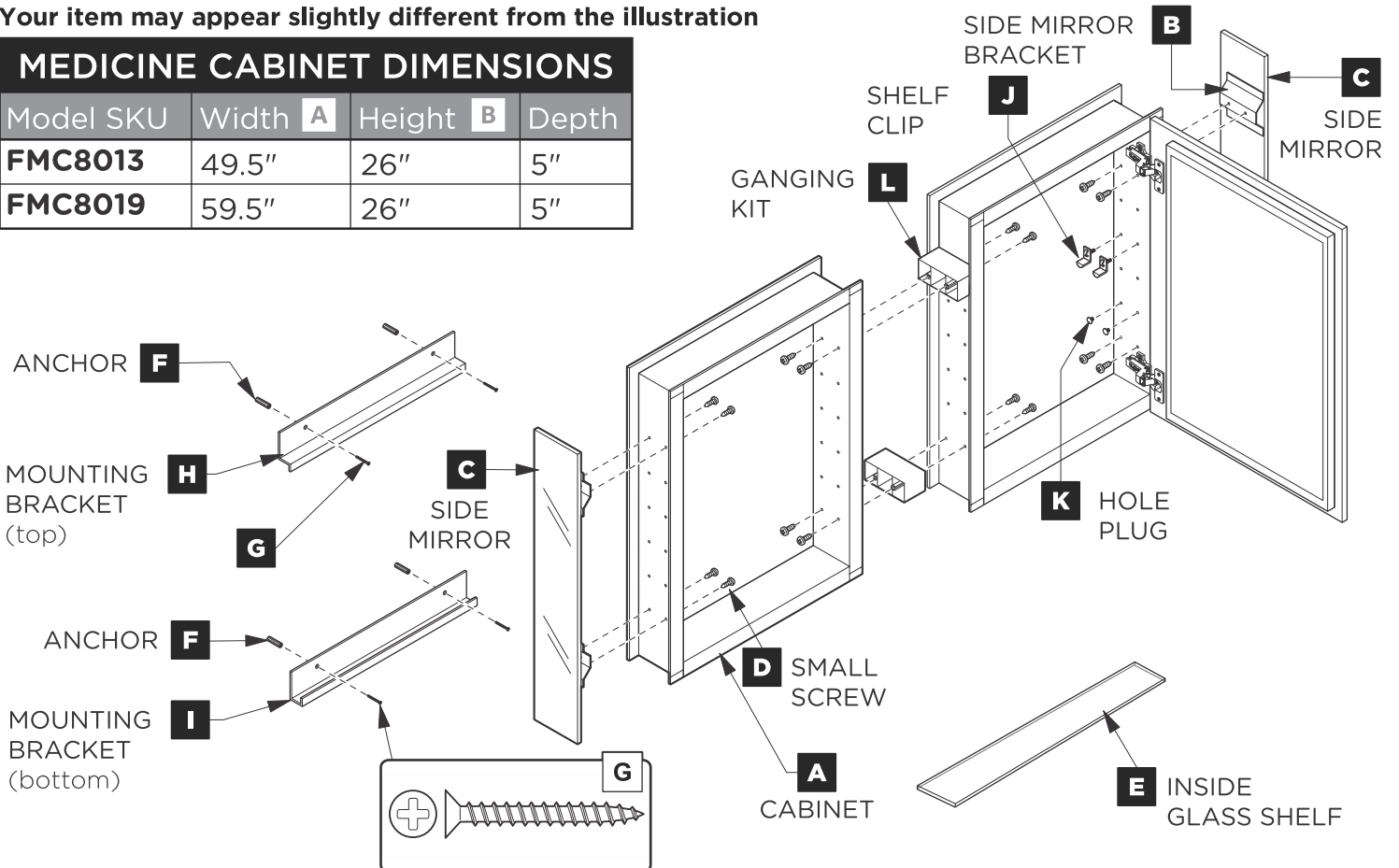
## SUPPLIED PARTS



Your item may appear slightly different from the illustration

### MEDICINE CABINET DIMENSIONS

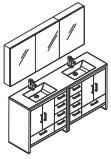
Model SKU	Width <b>A</b>	Height <b>B</b>	Depth
<b>FMC8013</b>	49.5"	26"	5"
<b>FMC8019</b>	59.5"	26"	5"



**DANGER:**  
Risk of electronic shock. Avoid existing electrical wiring or plumbing when mounting this product to the wall.

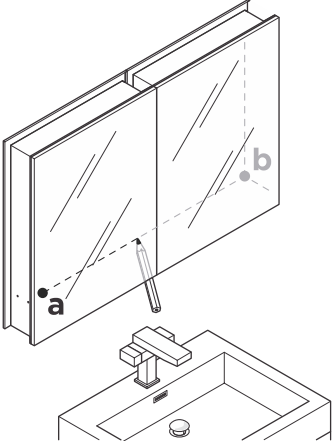


**WARNING:**  
Risk of property damage. Use anchors rated for the loaded weight of the product. Refer to the anchor manufacturer's instructions.

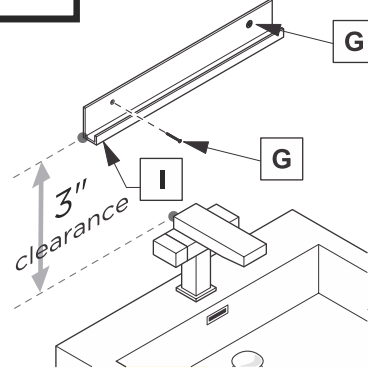


**SURFACE-MOUNT INSTALLATION**

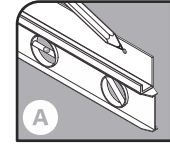
**1** Level and mark the cabinet's location on the wall from point **a** to the point **b**.



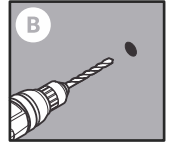
**2** Attach bottom bracket (**I**) to the wall.



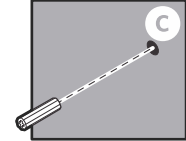
**IMPORTANT:**  
Consult an expert for the proper screws/bolts to use when attaching to various constructions. Screws provided **do not** attach to all wall construction types. Anchors are not required if brackets are installed in stud.



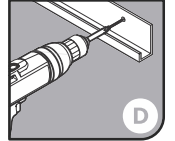
Level and mark.



Drill the holes in the wall.

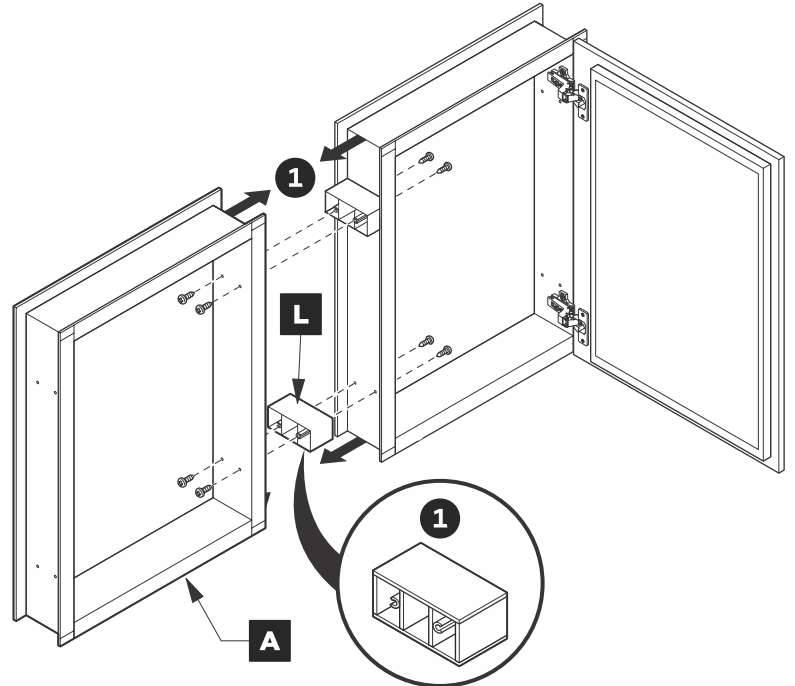


Insert the anchors in the holes.

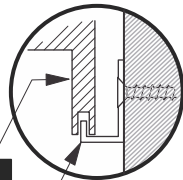
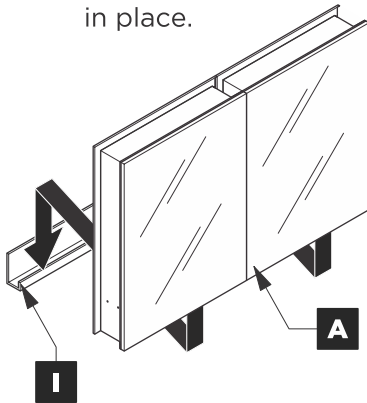


Attach bottom bracket to the wall.

**3** Connect cabinets (**A**) together with a ganging kit (**L**).

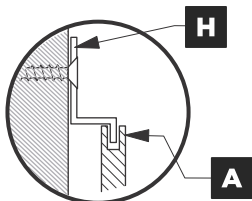


**4** With assistance, rest the cabinet (**A**) on the bottom mounting bracket (**I**) and hold it in place.

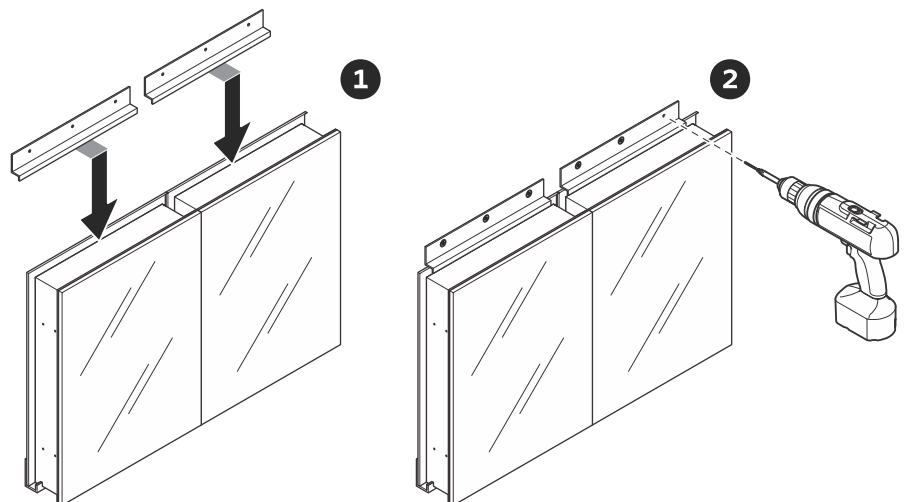


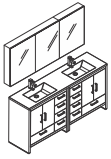
**A**  
**I**

**5** Secure the cabinet by fitting the top bracket (**H**) on the top of the cabinet and attaching it to the wall while the cabinet firmly stands on the bottom bracket.



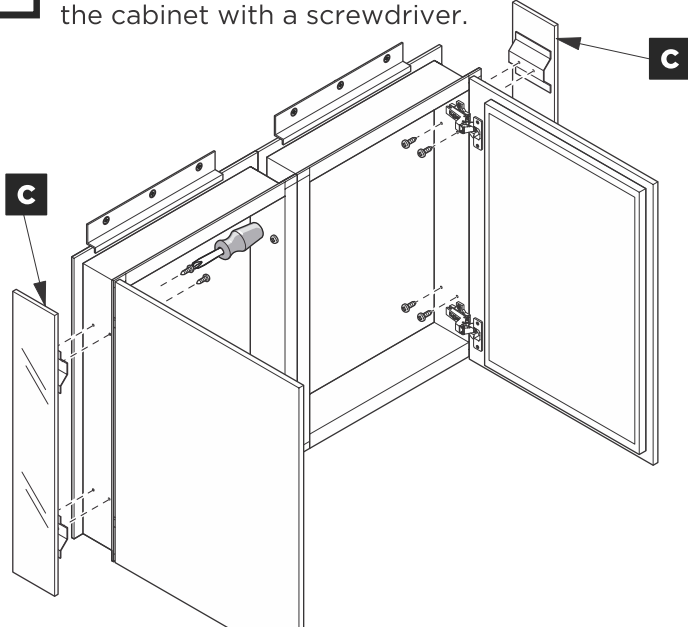
**NOTE:**  
This step requires assis



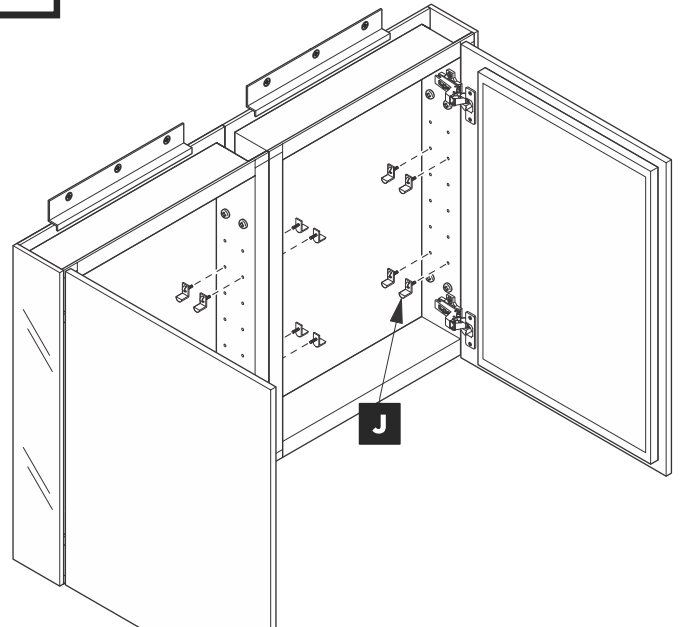


**SURFACE-MOUNT INSTALLATION**

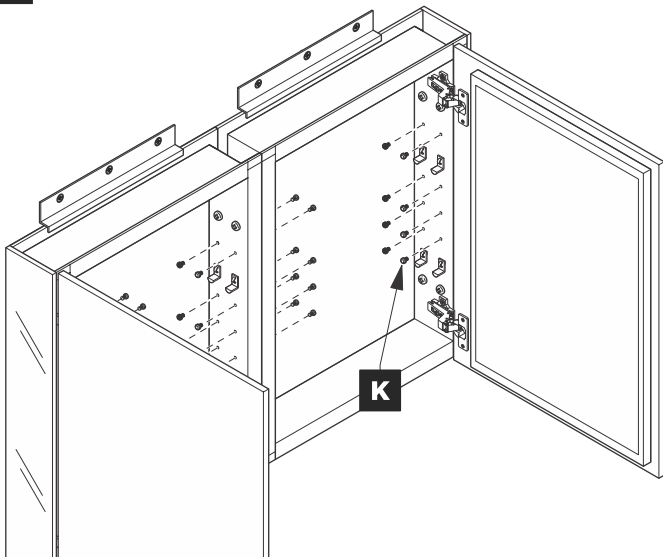
**6** Attach the side mirrors (C) to the cabinet with a screwdriver.



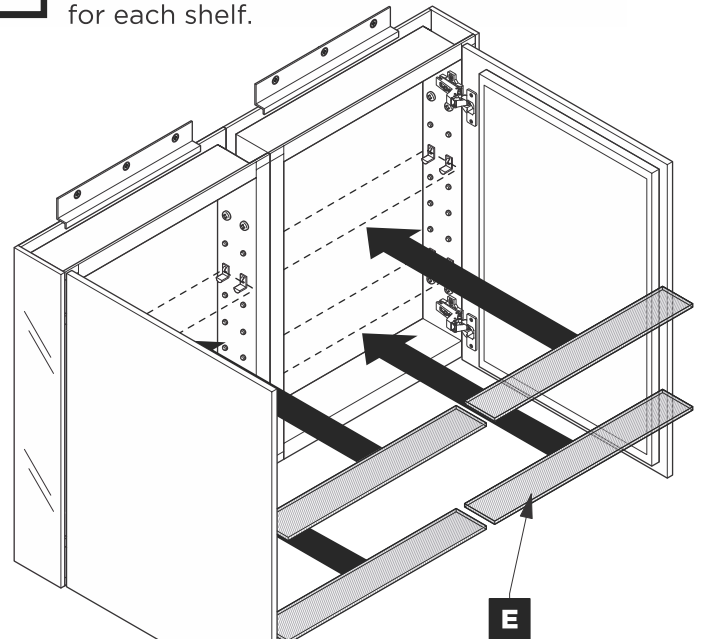
**7** Push and twist shelf clips (J).



**8** Fill the remaining holes with a plugs (K).

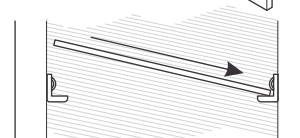
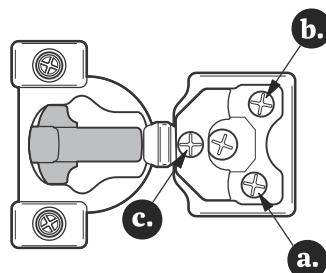


**9** Insert the shelves (E). Follow the steps below for each shelf.

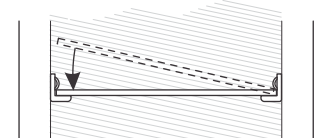


**OPTIONAL DOOR ADJUSTMENT**

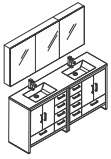
- a.** This screw allow you to adjust pitch side to side.
- b.** This screw releases cabinet's door and allows up and down adjustment.
- c.** This screw allow you to adjust the gap between the doors.



**9.a** Push a side of the shelf (E) into left or right pins (J).

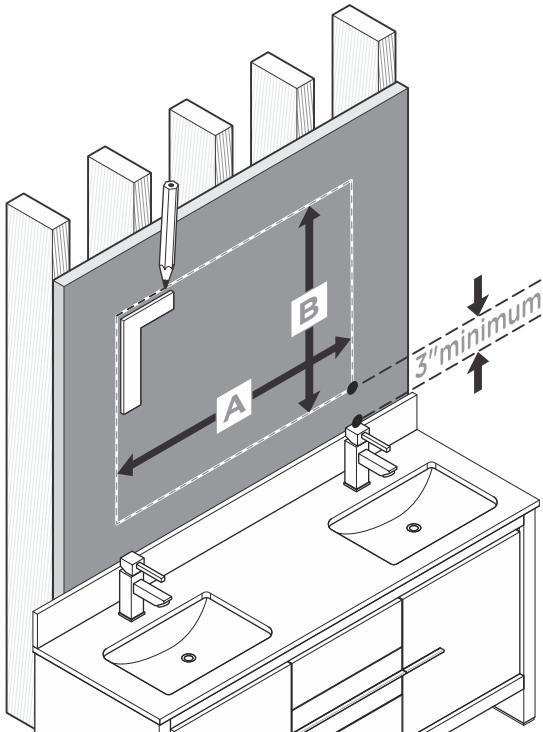


**9.b** Snap the shelf (E) down into opposite side.



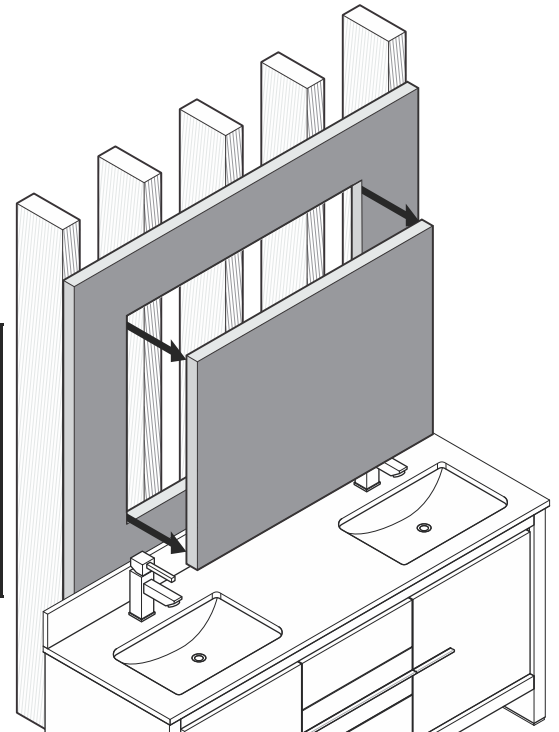
**RECESS-MOUNT INSTALLATION**

**1**



Draw the perimeter of the cabinet on the wall.

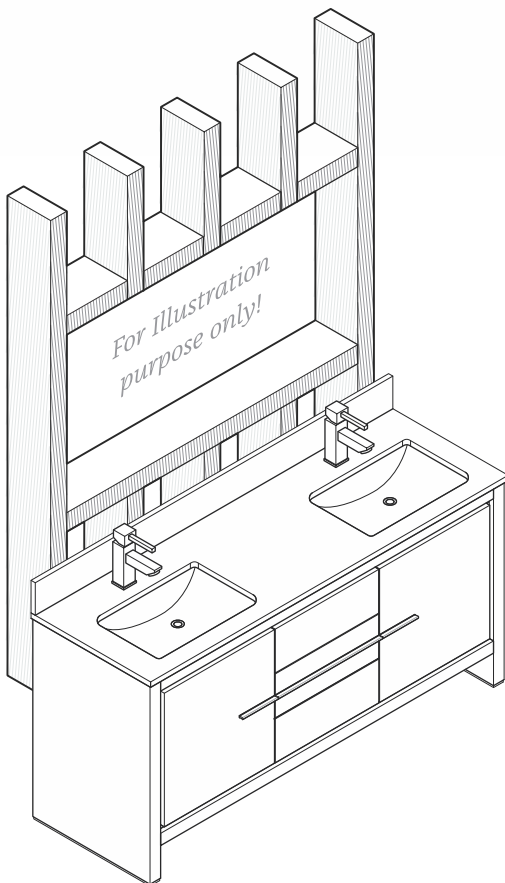
**2**



Cut the perimeter with appropriate tool.

**NOTE:**  
Determine overall medicine cabinet dimensions. If recessing medicine cabinet, determine rough in dimensions.

**3**



Frame the cutout opening.

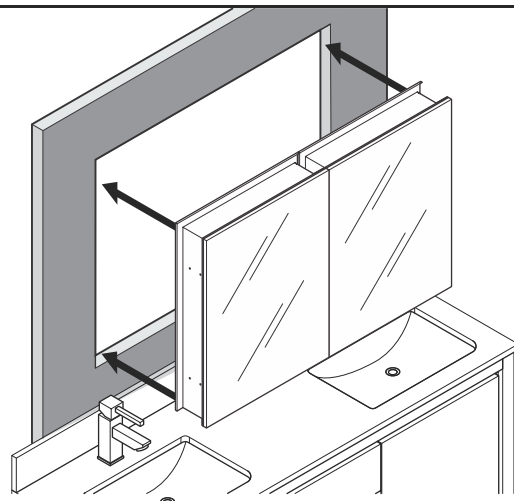
**NOTE:**

Please consult with a licensed contractor for proper medicine cabinet framing.

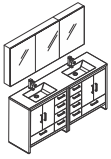
**ROUGH IN DIMENSIONS**

Model SKU	Width <b>A</b>	Height <b>B</b>	Depth
<b>FMC8019</b>	59.5"	26.0"	5.0"
<b>FMC8013</b>	49.5"	26.0"	5.0"

**4**

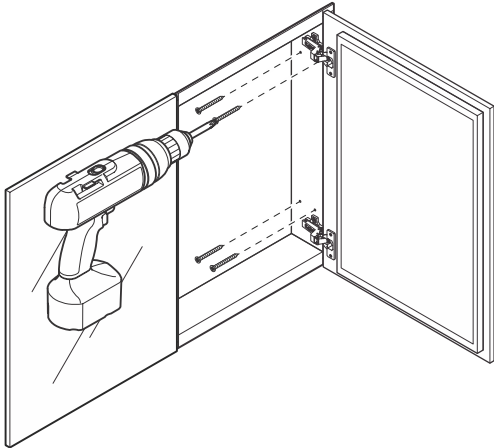


Insert the cabinet into the opening.



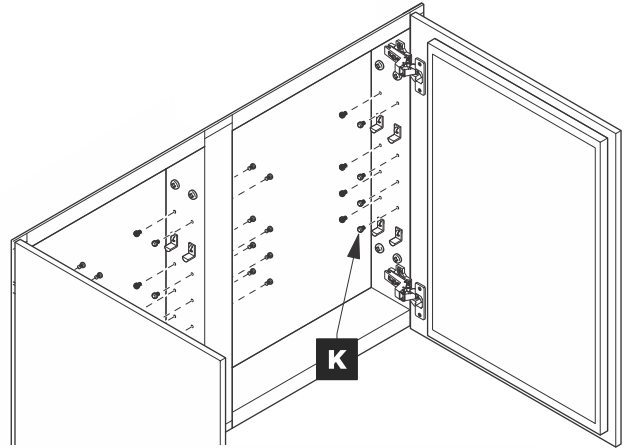
## RECESS-MOUNT INSTALLATION

**5**



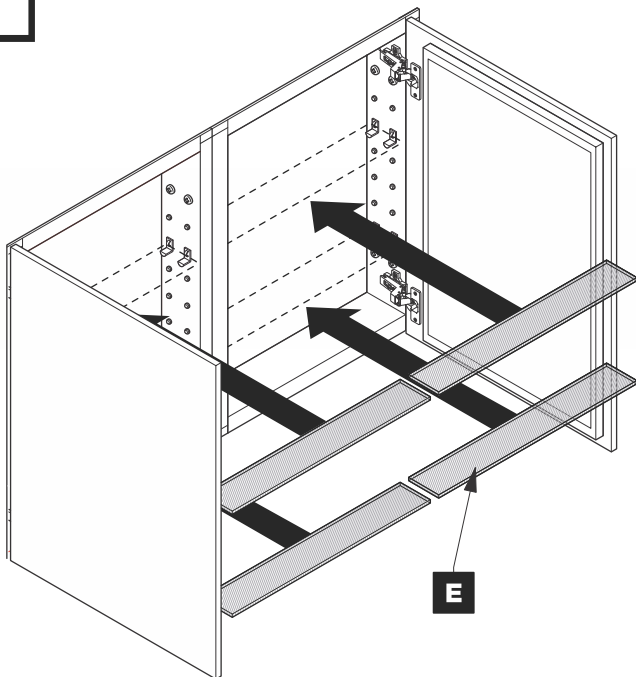
Attach cabinet to the wall from the each side.

**6**

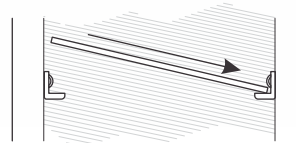


Fill the remaining holes with a plugs (**K**).

**7**

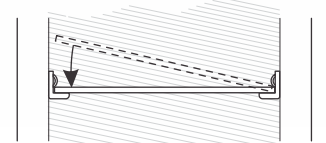


Insert the shelves (**E**). Follow the steps below for each shelf.



**7.a**

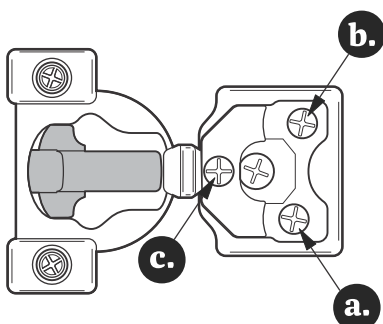
Push a side of the shelf (**E**) into left or shelf clips (**J**).



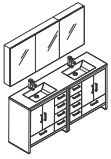
**7.b**

Snap the shelf (**E**) down into opposite side.

## OPTIONAL DOOR ADJUSTMENT

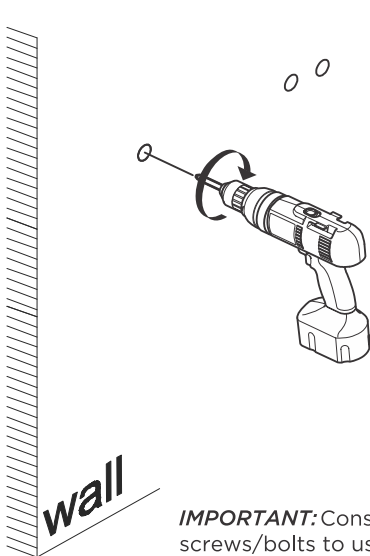


- a.** This screw allow you to adjust pitch side to side.
- b.** This screw releases cabinet's door and allows up and down adjustment.
- c.** This screw allow you to adjust the gap between the doors.



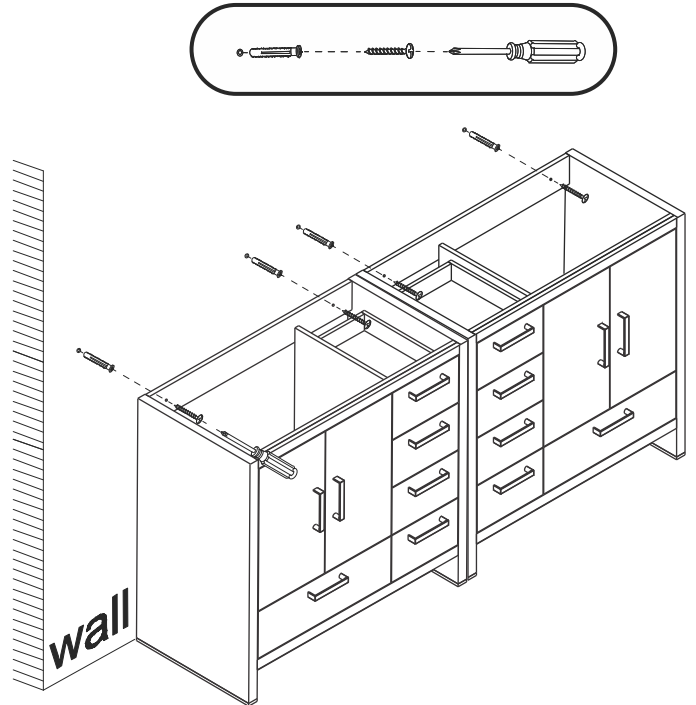
## CABINET INSTALLATION

**1** Drill holes and insert the dowels.

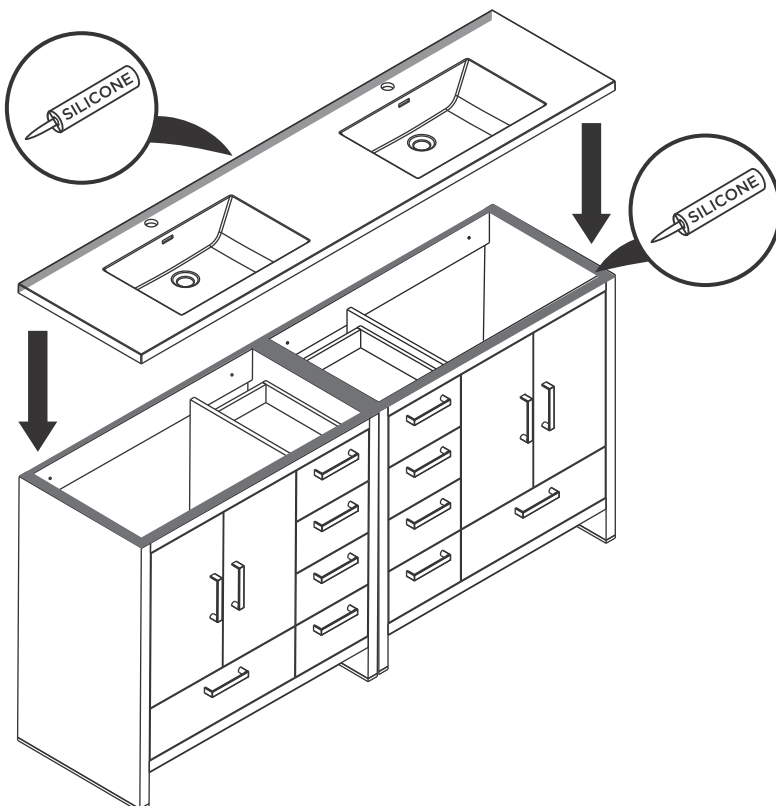


**IMPORTANT:** Consult an expert for the proper screws/bolts to use when attaching to various constructions. Screws provided do not attach to all wall construction types. Anchors are not required if brackets are installed in stud.

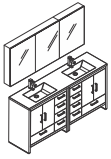
**2** Mark anchor mounting hole locations on wall as shown. Drill holes in the finished wall as required.



**3** Apply silicone and install sink.

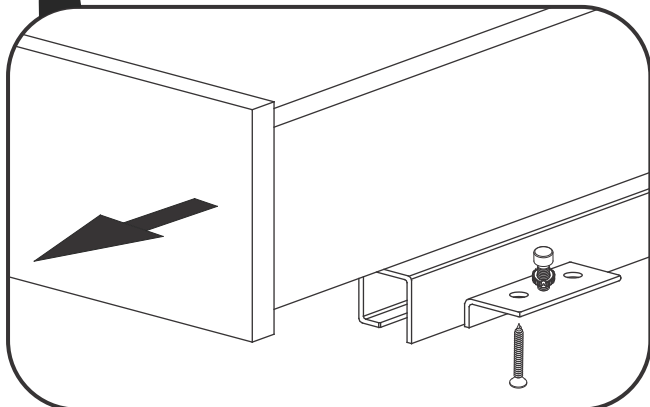
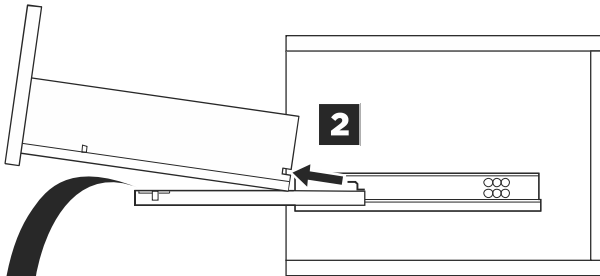
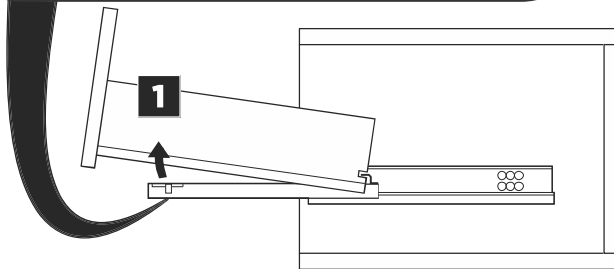
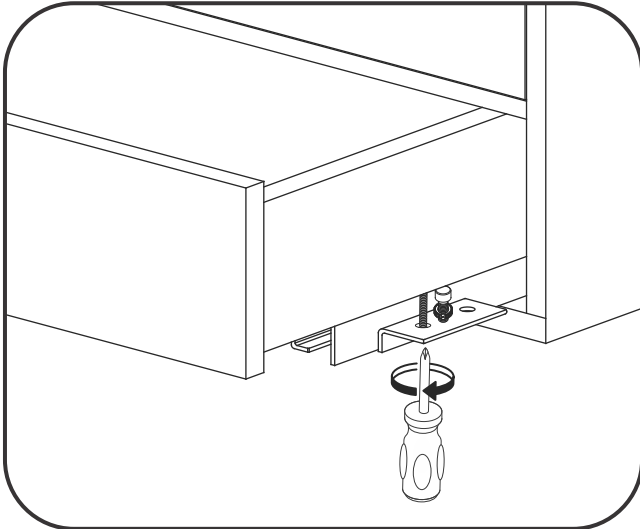




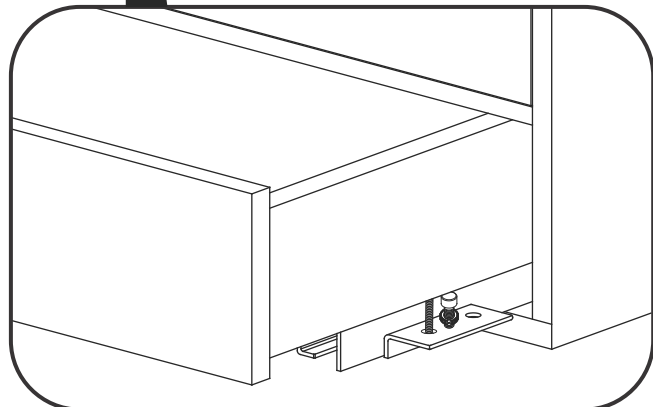
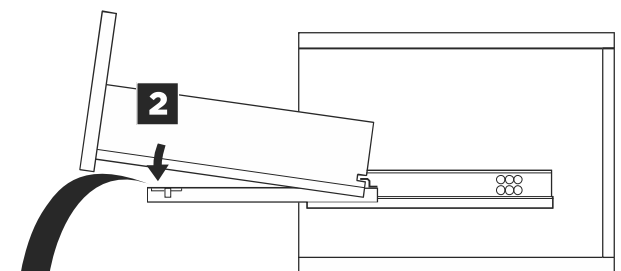
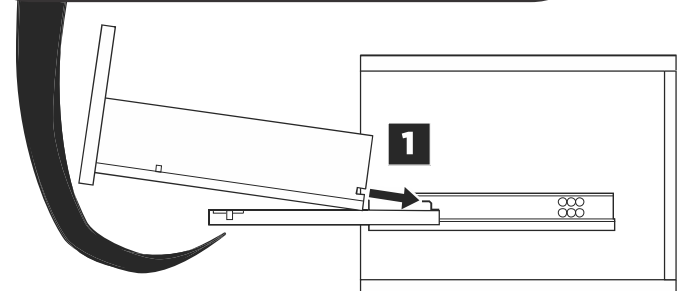
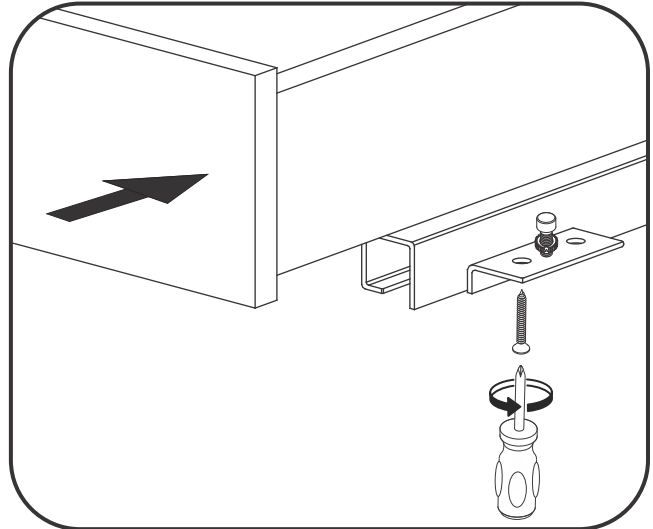


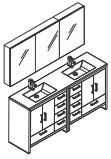
## DRAWER REMOVAL & INSTALLATION

### REMOVAL



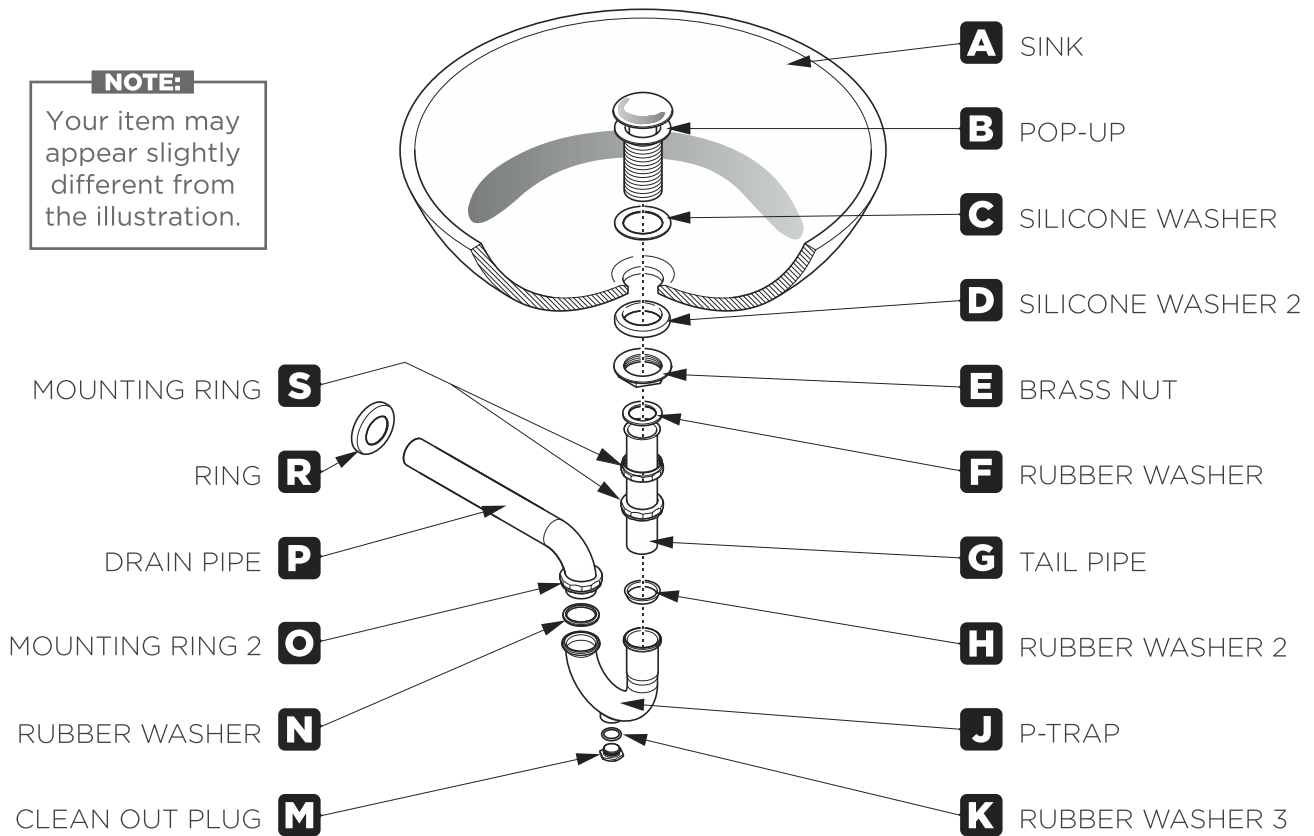
### INSTALLATION





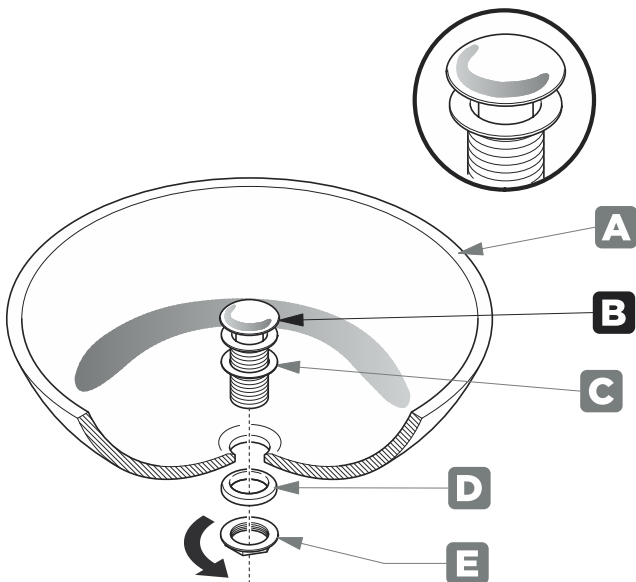
**P-TRAP AND POP-UP INSTALLATION INSTRUCTIONS**

**NOTE:**  
Your item may appear slightly different from the illustration.



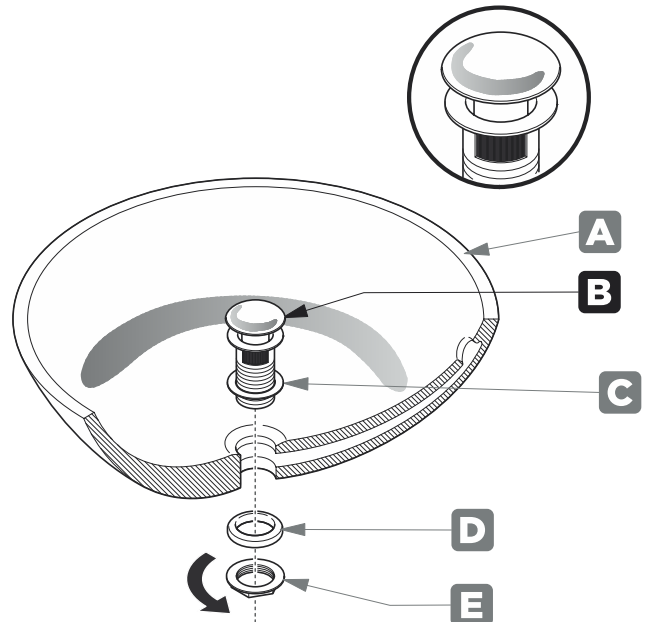
**POP-UP INSTALLATION INSTRUCTIONS**

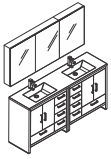
**FOR SINKS WITHOUT OVERFLOW**



OR

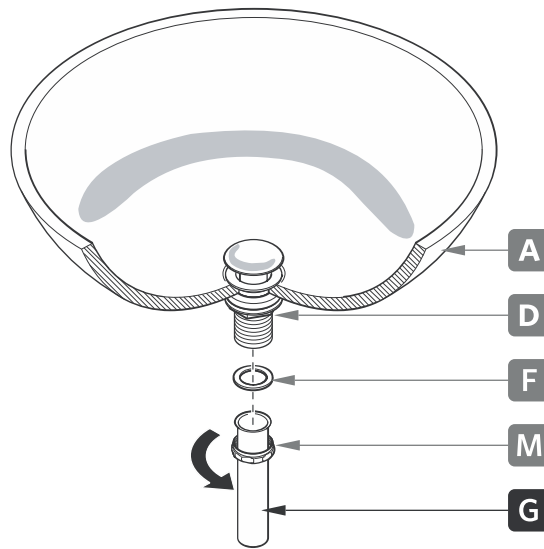
**FOR SINKS WITH OVERFLOW**





## P-TRAP INSTALLATION

**1** Install tail pipe (G)



**2** Install p-trap (J)

