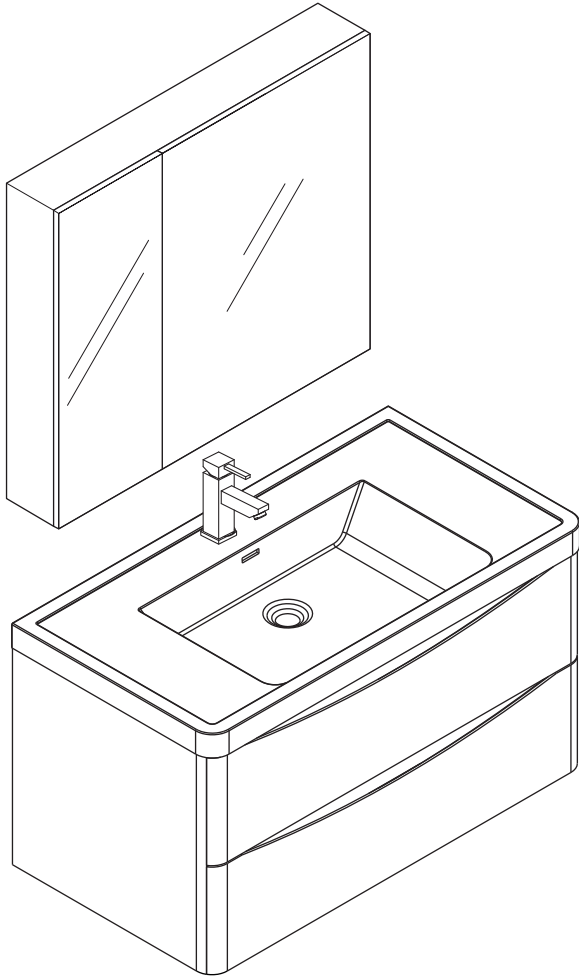


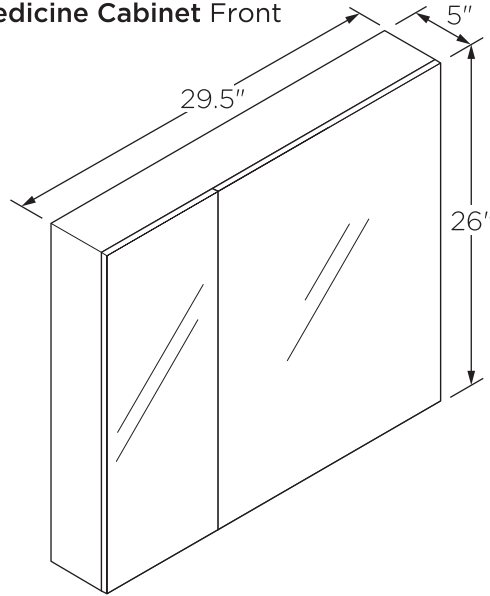
**FVN9036**  
**SENZA**  
**INSTALLATION GUIDE**



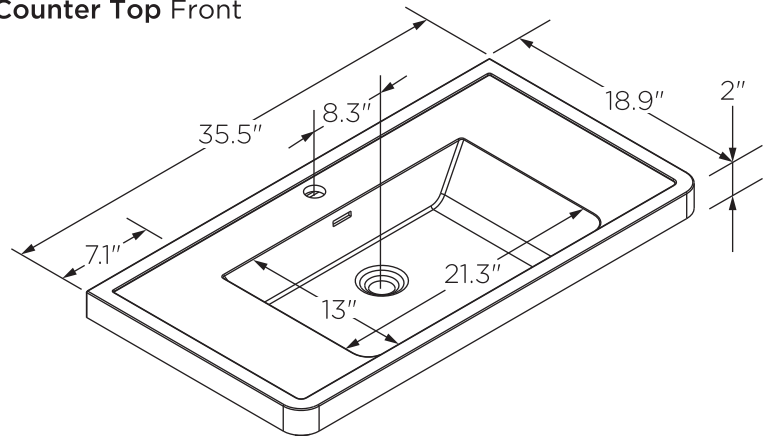
**FVN9036**  
**Vanity Front**



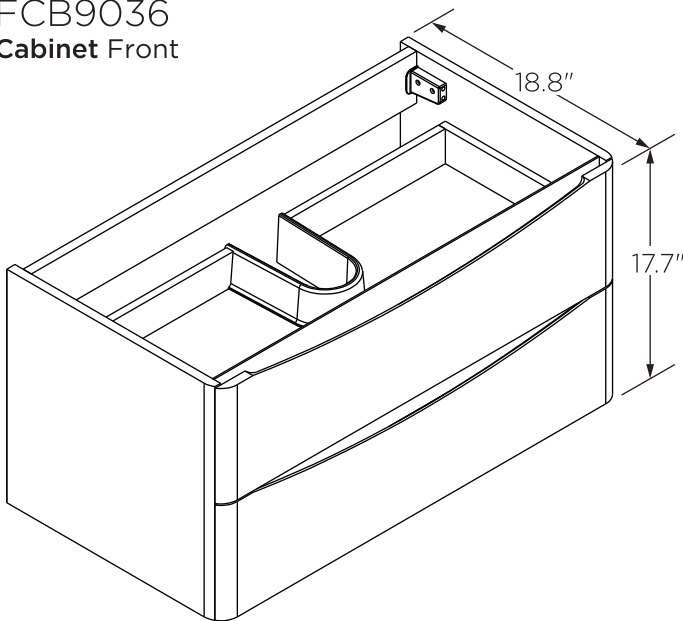
**FMC8090**  
**Medicine Cabinet Front**



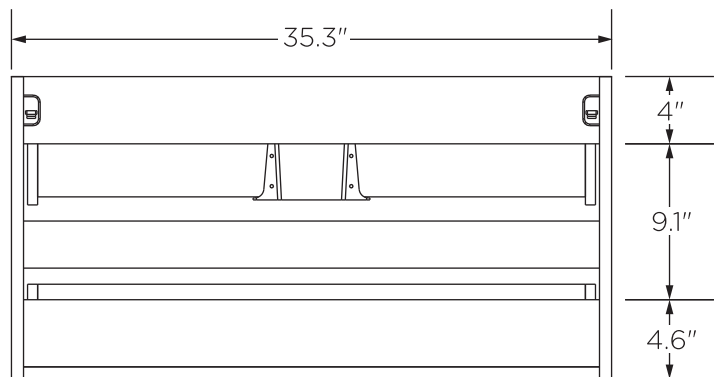
**FVS9036WH**  
**Counter Top Front**



**FCB9036**  
**Cabinet Front**



**FCB9036**  
**Cabinet Back**



**NOTE:** All dimensions & specifications are approximate and subject to change without notice.